

NOTE: This installation is to be completed by an Authorized Dealer or Professional Service Technician. For questions regarding installation or warranty, call CDI Tech Support at 866-423-4832. **Do not return to the Dealer or Distributor where the part was purchased. Contact CDI Electronics Directly for Return Material Authorization.**

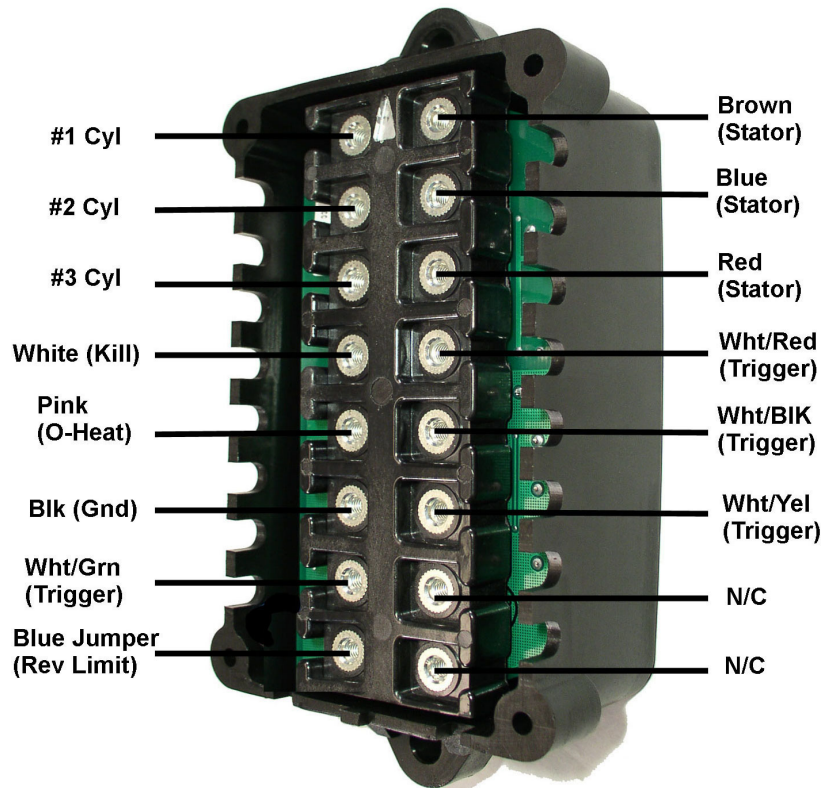
## CDI P/N: 177-6H1-00 Stator 3 Cylinder

This unit replaces the following P/N: 6H1-85510-00-00.

**WARNING!** This product is designed to be installed by a professional marine mechanic. CDI Electronics cannot be held liable for injury or damage resulting from improper installation, abuse, neglect or misuse of this product.

### INSTALLATION

1. Disconnect the negative battery cable.
2. Remove the Brown, Blue and Red Stator wires from the power pack.
3. Remove the Green wires from the Rectifier/Regulator.
4. Remove the flywheel.
5. Remove the old stator, saving the mounting bolts. Note the location of the wire bundle coming from the stator.
6. Mount the new stator using the original bolts with a thread-locker applied. Make sure the wire bundle is in the same location as the original stator.
7. Connect the wires as follows:



8. Replace the flywheel according to the service manual.
9. Reconnect the battery cable.

### TROUBLESHOOTING

#### NO SPARK ON ANY CYLINDER:

1. Disconnect the White stop wire and retest. If the engine's ignition now has spark, the stop circuit has a fault-check the key switch, harness and shift switch.
2. Check the resistance and DVA output of the Stator and Trigger:
 

Read from	Read to	Ohms Reading	DVA (connected to pack)
White/Red Trigger wire	White/Yellow Trigger wire	280-430 ohms	2.5 Volts Minimum
White/Black Trigger wire	White/Green Trigger wire	280-430 ohms	2.5 Volts Minimum
Brown Stator wire	Blue Stator wire	880-1320 ohms	85 Volts Minimum
Blue Stator wire	Red Stator wire	10-20 ohms	20 Volts Minimum
3. Check the resistance and DVA output of the Stator and Trigger:
 

Read from	Read to	Ohms Reading	DVA (connected to pack)
White/Red Trigger wire	White/Yellow Trigger wire	280-430 ohms	2.5 Volts Minimum
White/Black Trigger wire	White/Green Trigger wire	280-430 ohms	2.5 Volts Minimum
Brown Stator wire	Blue Stator wire	880-1320 ohms	85 Volts Minimum
Blue Stator wire	Red Stator wire	10-20 ohms	20 Volts Minimum
4. Disconnect the Blue Rev Limiter wire on the ignition pack. If fire returns, replace the ignition pack.

NOTE: This installation is to be completed by an Authorized Dealer or Professional Service Technician. For questions regarding installation or warranty, call CDI Tech Support at 866-423-4832. **Do not return to the Dealer or Distributor where the part was purchased. Contact CDI Electronics Directly for Return Material Authorization.**

## NO SPARK OR INTERMITTENT ON ONE OR MORE CYLINDERS:

1. Check the resistance and DVA output of the Stator and Trigger:

Read from	Read to	Ohms Reading	DVA (connected to pack)
White/Red Trigger wire	White/Yellow Trigger wire	280-430 ohms	2.5 Volts Minimum
White/Black Trigger wire	White/Green Trigger wire	280-430 ohms	2.5 Volts Minimum
White/Red Trigger wire	Engine Ground	OPEN	
White/Black Trigger wire	Engine Ground	OPEN	
White/Black Trigger wire	Engine Ground	OPEN	
White/Green Trigger wire	Engine Ground	OPEN	

2. Check the DVA output on the Black/White wires from the power pack while connected to the ignition coils. You should have a reading of at least 125V or more. If the reading is low on one cylinder, disconnect the wire from the ignition coil for that cylinder and reconnect it to a load resistor. Retest. If the reading is now good, the ignition coil is likely bad. A continued low reading indicates a bad power pack or trigger (test per above).

## ENGINE WILL NOT ACCELERATE ABOVE APPROXIMATELY 2000 RPM:

1. Verify the engine is not overheating and causing the power pack to limit the RPM.
2. Disconnect the Pink wire from the power pack and retest. If the engine now performs correctly, check the overheat sensor, oil level in the oil tank mounted on the engine and the wiring harness.
3. Disconnect the Blue wire on the pack. If the engine now performs normally, replace the pack.
4. Check the position of the Pink wire and make sure it is not next to a spark plug wire.

## ENGINE WILL NOT ACCELERATE ABOVE APPROXIMATELY 2500 RPM:

1. Using an inductive tachometer, check the RPM on all cylinders. A difference in readings between the individual cylinders can be caused by a bad coil, power pack or spark plug.
2. If all cylinders show the same RPM and the engine will only rev to approximately 2500 RPM, check the running stator DVA output from idle thru WOT. You should show a steady increase in voltage on the Blue to the Black/Red stator wires throughout the RPM range. A drop in voltage can be the result of a bad stator coil or a bad regulator/rectifier (disconnect the Green wires to the regulator/rectifier and retest – if the engine now performs OK, the regulator/rectifier is likely bad).

## HIGH SPEED MISS:

1. Verify the engine is not overheating and causing the problem.
2. Using an inductive tachometer, check the RPM on all cylinders. A difference in readings between the individual cylinders can be caused by a bad coil, power pack or spark plug.
3. Disconnect the Green wires to the regulator/rectifier and retest – if the engine now performs OK, the regulator/rectifier is likely bad.

## S.A.F.E. WILL NOT ENGAGE:

Disconnect the Pink warning wire from the power pack. Connect a jumper wire to engine ground and connect it to the terminal where the Pink wire goes. If the engine now limits at approximately 2000 RPM, check the wiring from the temperature sensor and oil tank to the power pack. If it still fails to engage, the power pack is likely bad.

## ENGINE WILL NOT KILL (STOP)

Disconnect the White kill wire and connect a jumper wire to engine ground. If you still have spark, the power pack is likely bad. If the engine has no spark with the jumper connected, either the wiring harness, keyswitch or emergency stop switch is bad.