

GRReddy®

***GR*Reddy Intercooler Kit**

Honda Civic Front-Mounted Intercooler Kit (EJ1)



Honda Civic EX 1992-95 (D16Z6)

Installation Manual

Please read the entire manual before installing this kit.

Application:

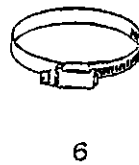
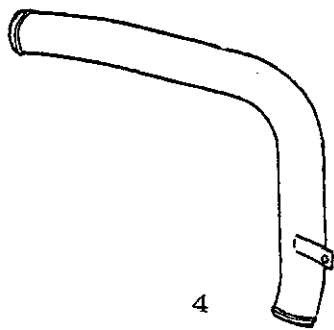
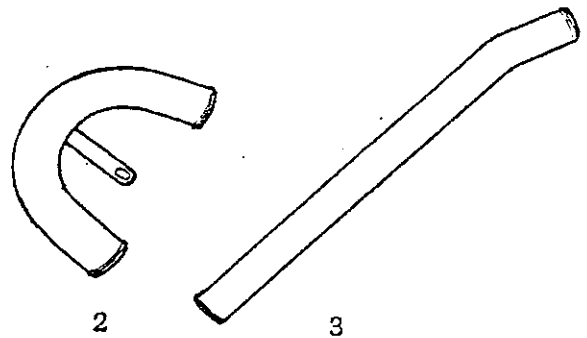
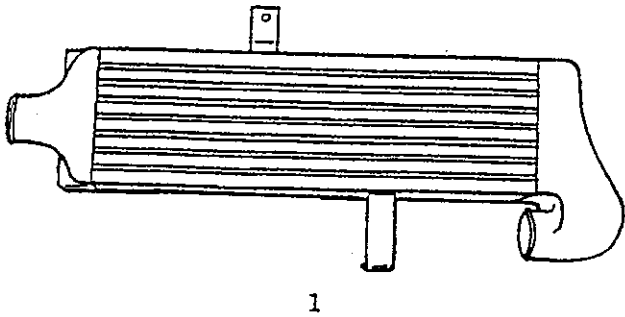
Make	Model	Chassis	Year
Honda	Civic EX/Si	EG-4	92 ~ 95

- For the Customer with **GReddy Turbo Kit** purchased before July 1998, the **GReddy Pipe kit** is required.
- This **GReddy Front Mount Intercooler Kit** is designed only for the vehicles specified above.
- This **GReddy Front Mount Intercooler Kit** is designed only for Honda Civics equipped with the **GReddy TDO4H-15C 8cm² Turbo Kit**.
- This **GReddy Front Mount Intercooler Kit** is to be used only with part # 198751 **GReddy TDO4H-15C 8cm² Turbo Kit** (E.O. D397-1)

Civic Intercooler Kit

1. Parts List

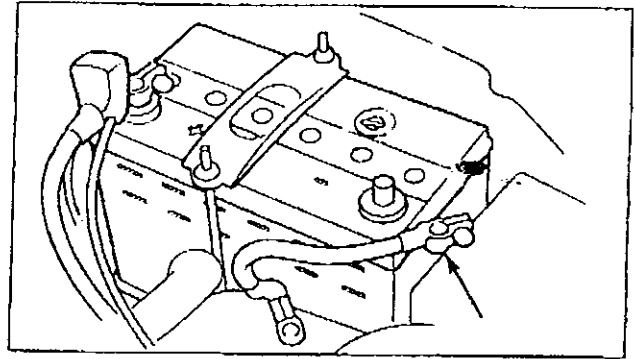
1. Intercooler type 26					1
2. 50Ø Compression pipe (steel pipe) #1 w/ bracket					1
3. 50Ø Compression pipe (steel pipe) #2					1
4. 50Ø Compression pipe (steel pipe) #3 w/ bracket					1
5. 50Ø Hose 70mm					3
6. 50Ø Hose band #32					6
7. M6 x 15mm P=1.00 (stainless steel)	B	s/w	f/w	-	4
8. M8 x 15mm P=1.25 (stainless steel)	B	s/w	f/w	N	1



2. Removal of Stock Parts

2-1 Disconnect the (-) negative terminal of the battery.

2-2 Remove the front bumper assembly

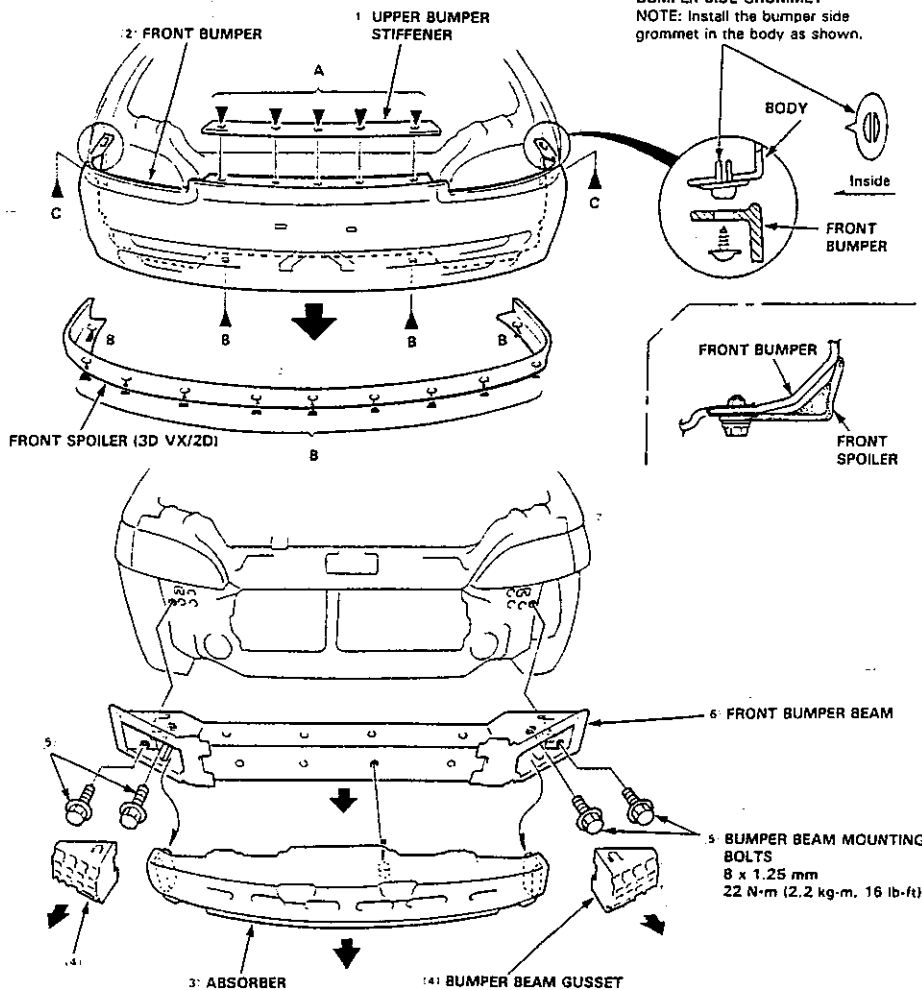
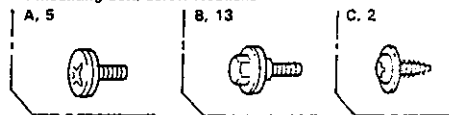


Disassemble in the numbered sequence.

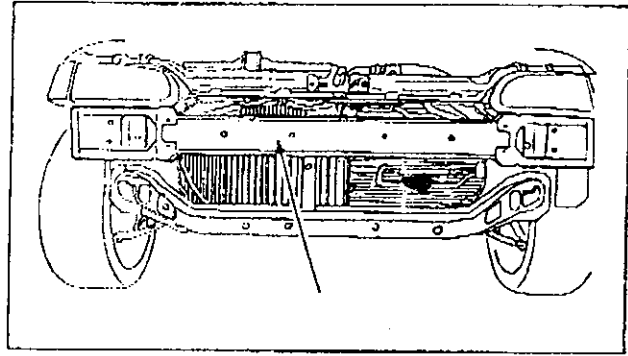
NOTE:

- An assistant is helpful when removing the front bumper and front bumper beam.
- Take care not to scratch the front bumper.
- Open the hood.

►: Mounting bolt, screw locations

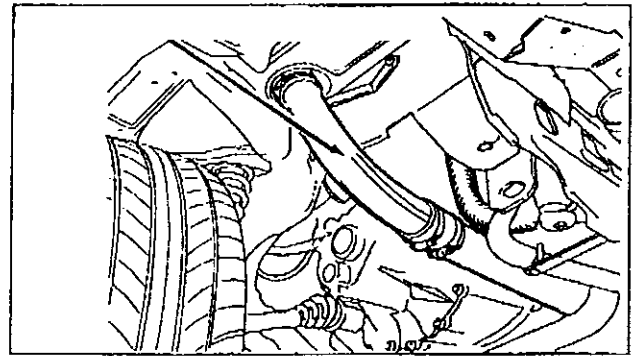


2-3 Remove the front bumper beam.



2-3 Remove the compression pipe from the turbocharger to the throttle body.

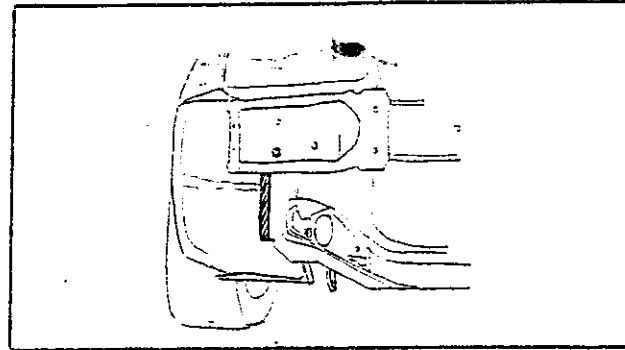
*If **GRddy Turbo Kit** purchased before July 1998, the **GRddy Pipe kit** is required.



3. GReddy Turbo Kit Instillation

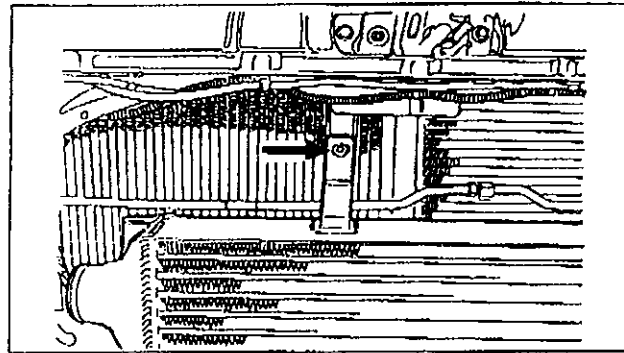
- 3-1 Trim the shaded area of the body with a grinder. (as shown in the picture)

*be sure to wear proper safety equipment when cutting



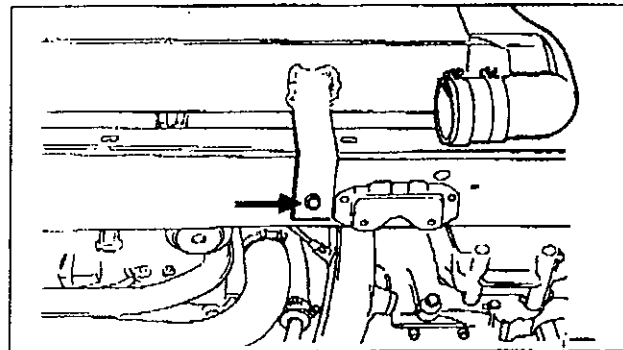
3-2 Intercooler installation

Bolt the top bracket of the intercooler to the front subframe in front of the radiator with the provided hardware.
(as shown in the picture)
parts used #1, 8



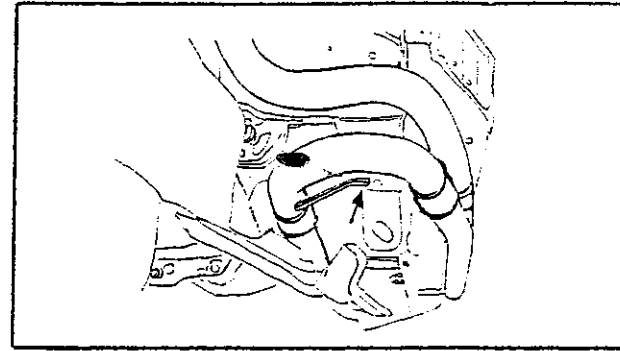
- 3-3 Mount the bottom bracket to the front lower crossmember as shown.
Parts used #1,7

*After the intercooler core is installed, reinstall the bumper beam back

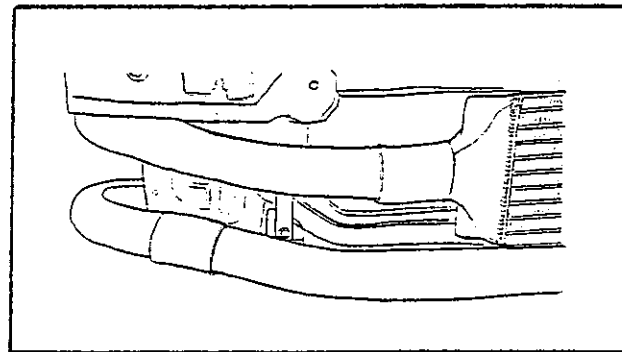


3-4 Install the compression pipes: #1,#2, and #3

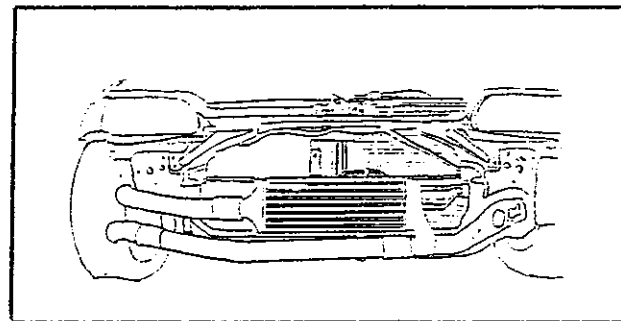
Secure the compression pipe #1
(as shown in the picture)
Parts used #2, 3, 5, 6



3-4 Secure the compression pipe #3
(as shown)
Parts used #4, 5, 6

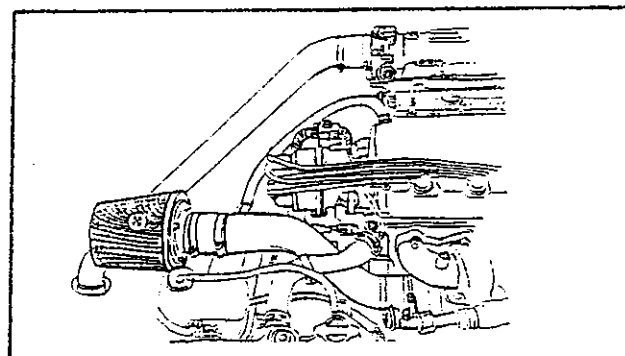


3-5 Connect the compression pipe #1 and #2 as shown

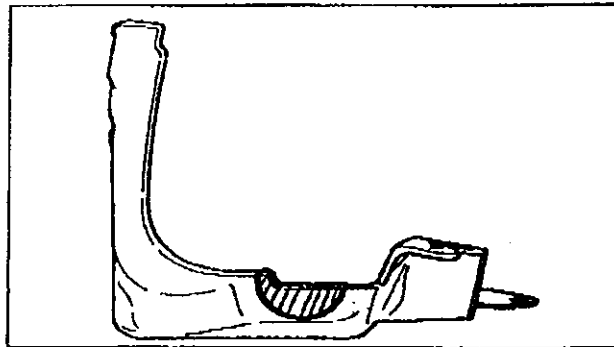
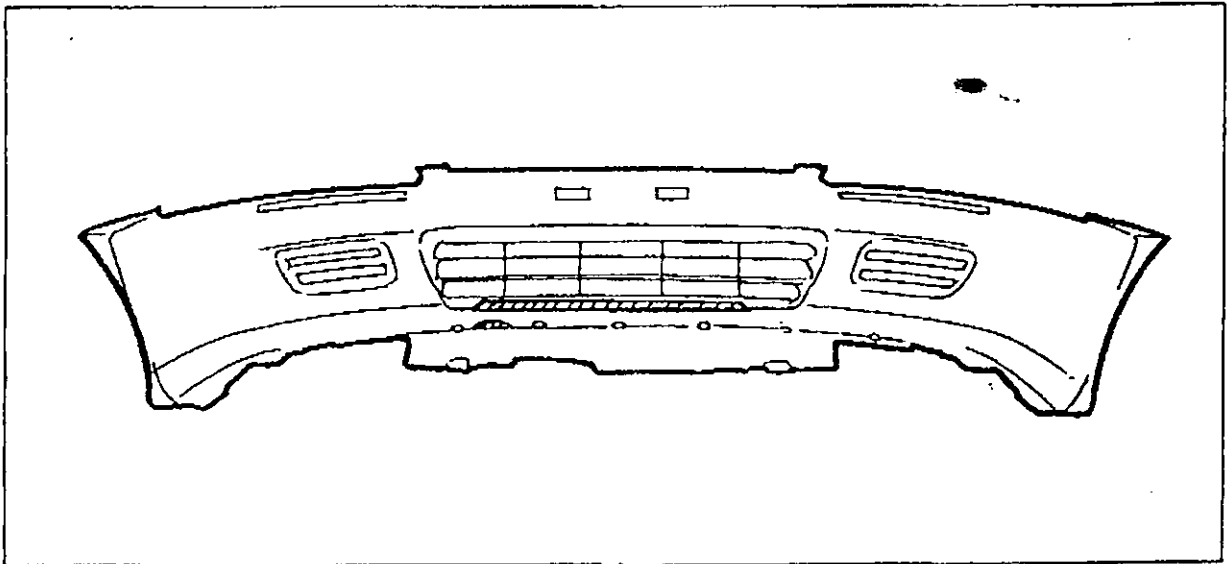


3-6 Connect compression pipe #3 to the compression pipe that was included from the turbo kit.

*Be sure that all the hose clamps are tight and secure.



3-7 Trim the front bumper and the right front inner fender cover as shown

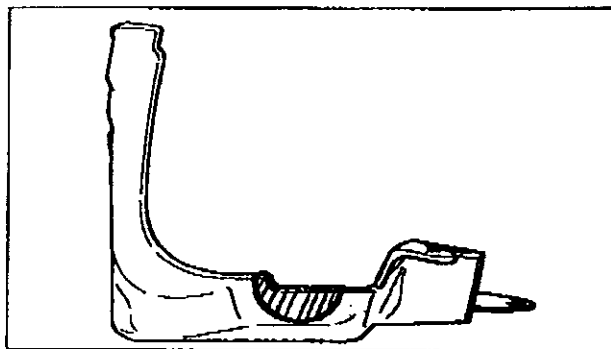
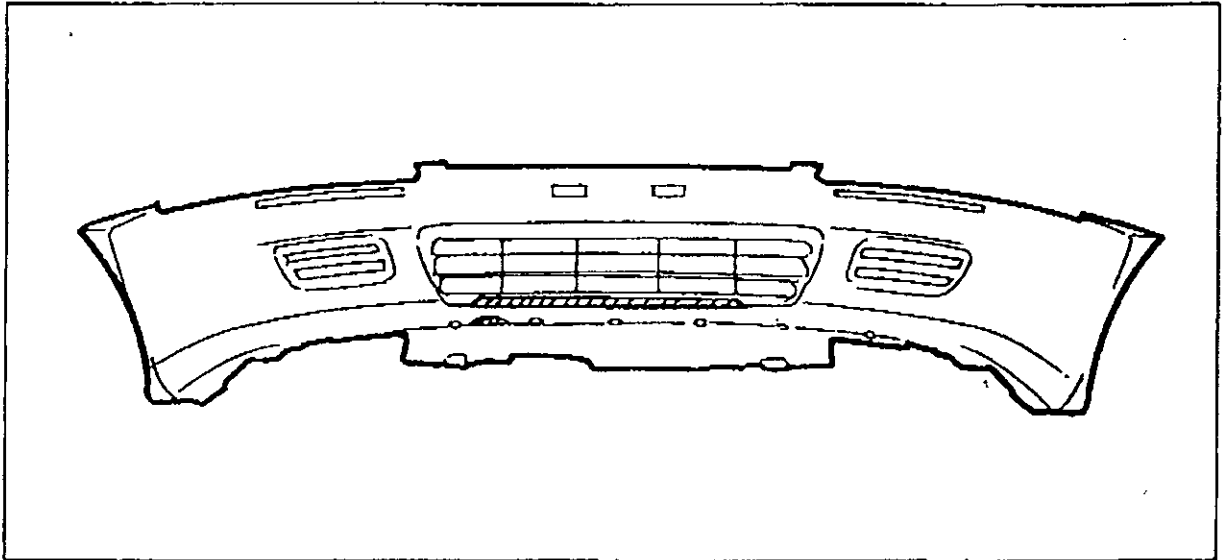


3-8 Reconnect the negative terminal on the battery

3-9 Start the engine and check all pipe connections for air leaks.
be sure to readjust hoses and clamps if necessary.

3-10 This completes the installation.

3-7 Trim the front bumper and the right front inner fender cover as shown



3-8 Reconnect the negative terminal on the battery

3-9 Start the engine and check all pipe connections for air leaks.
be sure to readjust hoses and clamps if necessary.

3-10 This completes the installation.