

**ICE CUBE
MIST COOLING SYSTEM
MISTING FAN KIT
INSTALLATION AND
USER GUIDE**

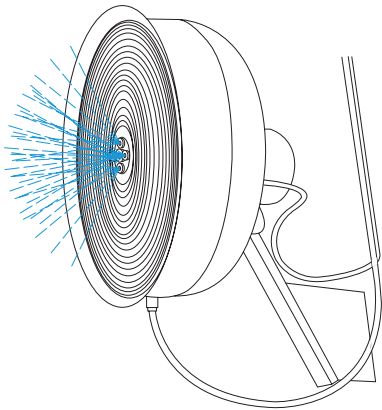


MCS PRODUCTS

ABOUT THIS SYSTEM

This installation guide will show you how to add a misting fan to your existing Ice Cube Mist Cooling System. During your Ice Cube installation, you should have installed a 3/8" union at the end of your high-pressure tubing. This misting fan kit installation will begin with the 3/8" union.

Note - If you are adding an additional fan, turn to page 14, "ADDING AN ADDITIONAL FAN"



BOX CONTENTS

- 18" BLACK MISTING FAN
- WALL MOUNT BRACKET
- 50 FT. 3/8" HIGH-PRESSURE TUBING
- 6 HIGH-PRESSURE MISTING NOZZLES .006/.15MM
- 3 NOZZLE CAPS
- 3/8" HIGH-PRESSURE TEE
- 1/4" NPT TO 3/8" PUSH TO CONNECT "FAN FITTING"
- BAG OF SCREWS - 50 CT.
- BAG OF FASTENERS - 50 CT.

INSTRUCTIONS

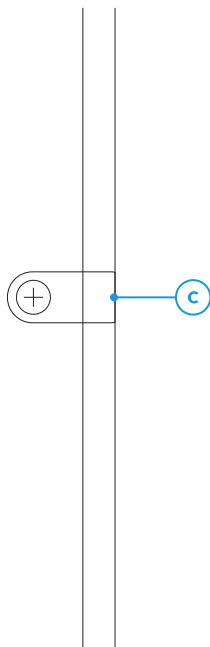
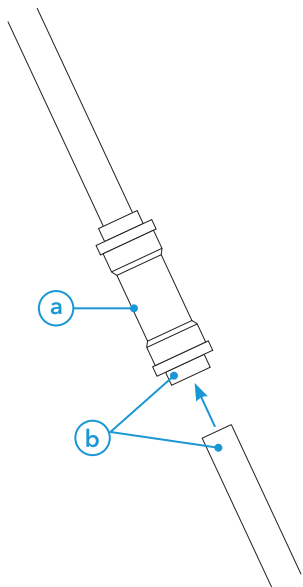


**READ ALL INSTRUCTIONS THOROUGHLY
BEFORE BEGINNING INSTALLATION**



1 3/8" HIGH-PRESSURE TUBING

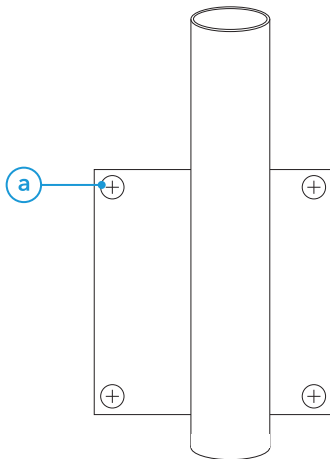
- a ... Included with your Mistng Fan Kit is 50 feet of 3/8" high-pressure tubing. Find the 3/8" high-pressure union that should be on the end of your tubing coming from your system.
- b ... Hold the union with one hand and your 3/8" high-pressure tubing in your other hand. Firmly insert the tubing in the union.
- c ... Continue running the tubing towards your fan installation site. Use the included fasteners and screws to secure the tubing.



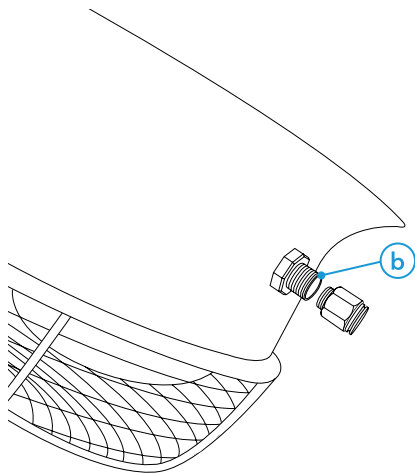
INSTRUCTIONS

2 MOUNTING THE MISTING FAN

- a ... Make sure to mount the fan on a sturdy surface and use appropriate hardware for your mounting surface. Begin by mounting the wall mount bracket.



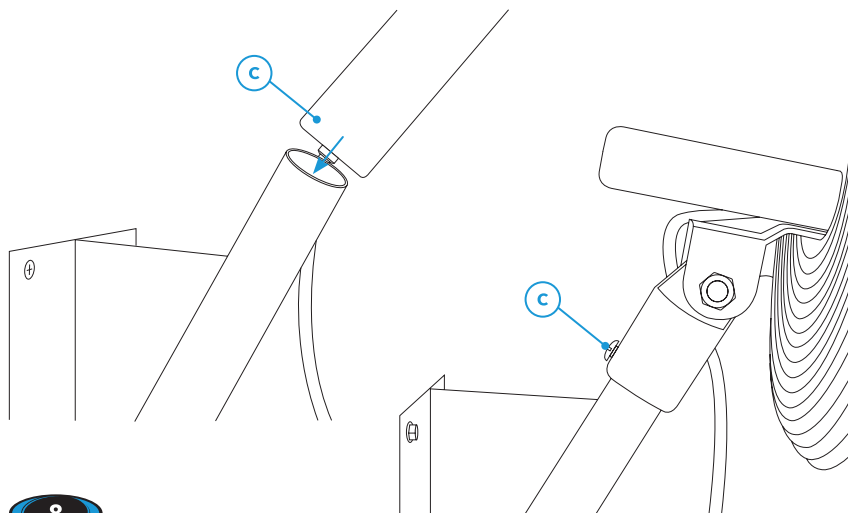
b... Take the 1/4" NPT to 3/8" push to connect "Fan Fitting" and attach it to bottom of the fan. The fitting has a rubber washer, do not over tighten.



INSTRUCTIONS

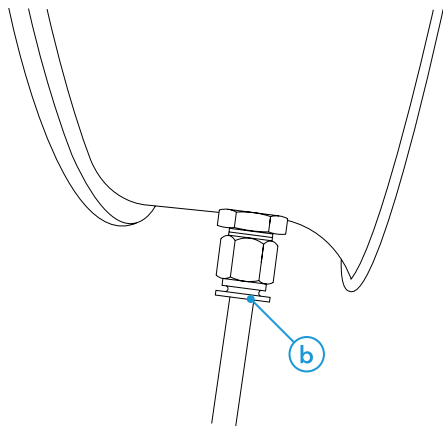
2 MOUNTING THE MISTING FAN cont.

c ... Now slide the fan onto the wall mount bracket and secure with included screws.



3 ATTACHING THE 3/8" HIGH PRESSURE TUBING TO FAN

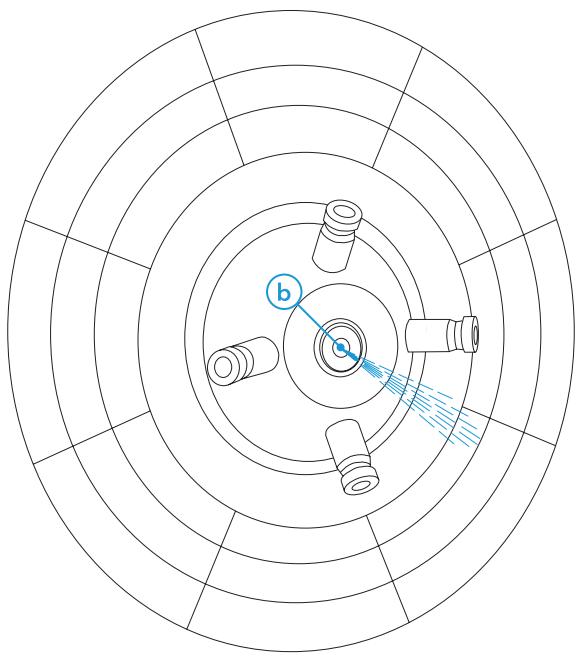
- a ... Next you will cut your tubing to length. Be sure to leave enough slack for the fan to oscillate.
- b ... Grab the tubing in one hand and the fan with the other hand. Firmly insert the tubing into the fitting.



INSTRUCTIONS

4 RUNNING THE FAN FOR THE FIRST TIME

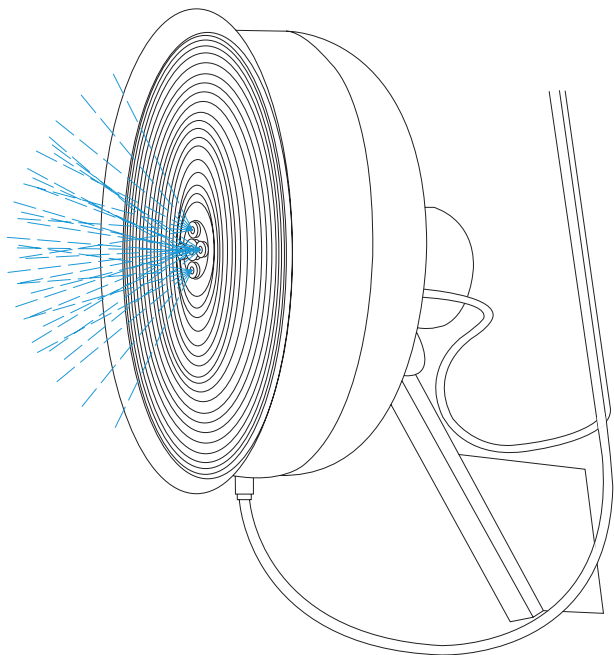
- a ... Install the nozzles on your fan but leave one off. Turn your misting system on and make sure you see a steady flow of water coming from the nozzle port that was left empty. This is to ensure all air in the system can escape.
- b ... Turn your system off and install the last nozzle.



INSTRUCTIONS

4 RUNNING THE FAN FOR THE FIRST TIME *cont.*

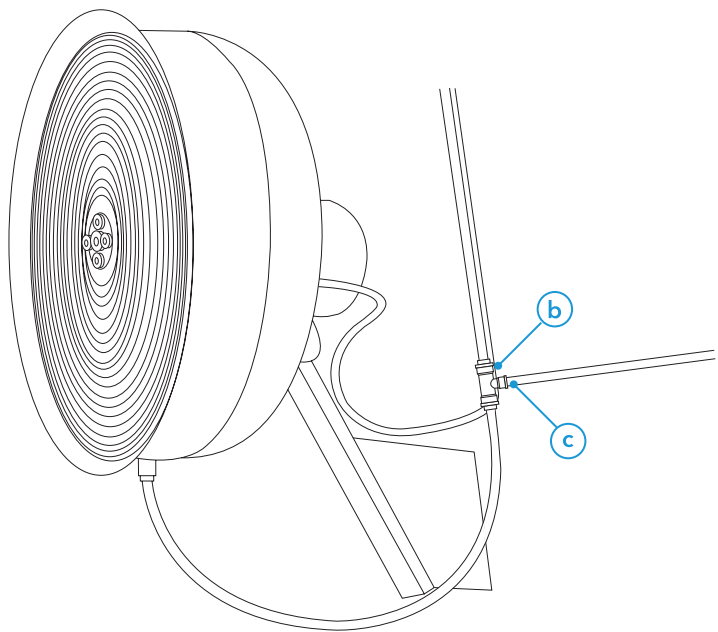
- c ... Plug in your fan's power cord. Turn on your fan to the desired fan speed.
- d ... Turn the system on and check all lines for leaks. If a leak is found at one of the push to connect fittings, turn the system off and make sure the tubing is fully seated in the fitting. Once all the lines have been checked, your system is ready to run and you are ready to enjoy a more comfortable outside living area.



INSTRUCTIONS

5 ADDING AN ADDITIONAL FAN

- a ... If you are adding an additional fan, first make sure your mist cooling system is off. Find the 3/8" tubing running to your existing fan and cut the tubing.
- b ... Install a 3/8" high-pressure tee by inserting the cut ends of tubing into both ends of the straight part of the tee.
- c ... Now take the 50 feet high pressure tubing included with your Misting Fan Kit and insert it into the side of the tee.
- d ... Continue running the tubing towards the area where you will mount the additional fan.
- e ... Now follow steps 2 through 4 of this installation guide.





MCS PRODUCTS

**CENTRAL TEXAS #1 MISTING
COMPANY SINCE 2003**

ESTABLISHED 2003 LOCALLY OWNED
AND OPERATED MADE IN AUSTIN, TEXAS

13200 POND SPRINGS ROAD, SUITE A-106
AUSTIN, TEXAS 78729
info@mcs-products.com

MCS-PRODUCTS.COM



TOLL FREE 844-344-2069