

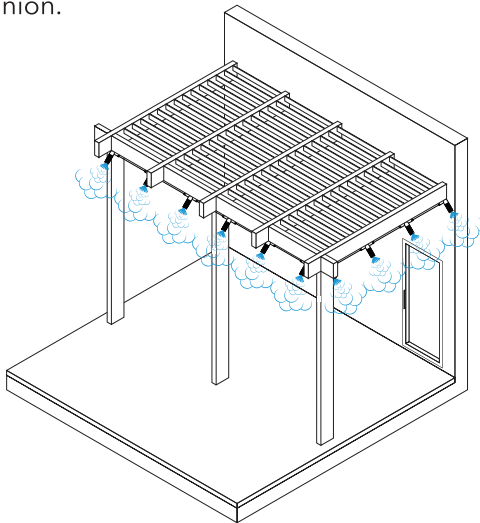
**ICE CUBE
MIST COOLING SYSTEM
MIST LINE KIT INSTALLATION
AND USER GUIDE**



MCS PRODUCTS

ABOUT THIS SYSTEM

This installation guide will show you how to add a mist line to your existing Ice Cube Mist Cooling System. During your Ice Cube installation, you should have installed a 3/8" union at the end of your high-pressure tubing. This mist line kit installation will begin with the 3/8" union.



BOX CONTENTS

- 100 FT. 1/4" HIGH-PRESSURE TUBING
- 3/8" TO 1/4" REDUCER
- TEE NOZZLE ADAPTERS - 19 CT.
- ELBOW NOZZLE ADAPTER - 1 CT.
- .006 HIGH-PRESSURE MISTING NOZZLES - 25 CT.
(INCLUDES 5 SPARE NOZZLES)
- 1/4" ELBOW - 2 CT.
- BAG OF SCREWS
- BAG OF 1/4" FASTENERS

INSTRUCTIONS

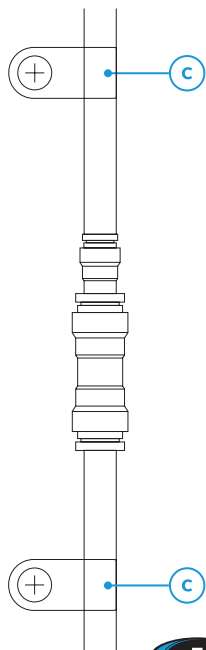
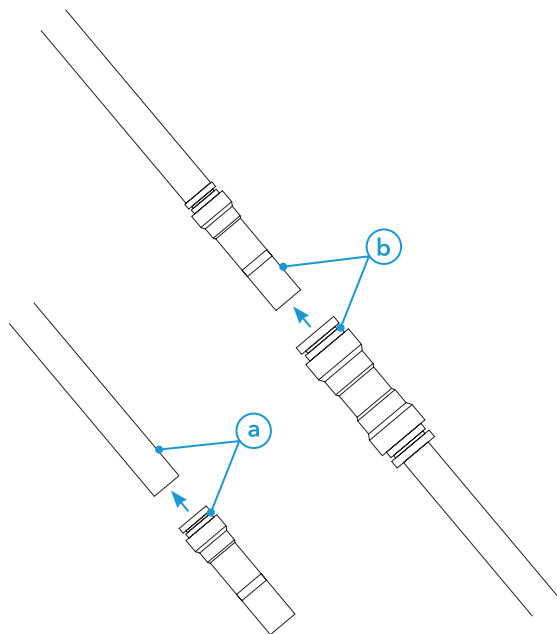


**READ ALL INSTRUCTIONS THOROUGHLY
BEFORE BEGINNING INSTALLATION**



1 3/8" TO 1/4" REDUCER & 1/4" HIGH-PRESSURE TUBING

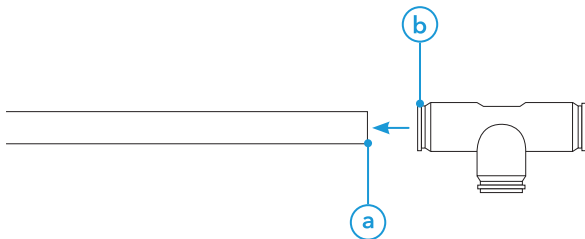
- a ... Included with your Mist Line Kit is 100 feet of 1/4" high-pressure tubing and a 3/8" to 1/4" reducer fitting. Take one end of the 1/4" tubing and firmly insert it into the reducer fitting.
- b ... Find the 3/8" high-pressure union that is on the end of your 3/8" tubing coming from your existing Ice Cube Mist Cooling System. Push the reducer fitting into the 3/8" union. Make sure the fitting is fully inserted in the union.
- c ... Begin running the 1/4" high-pressure tubing towards your desired misting area. Use the included fasteners and screws to secure the tubing.



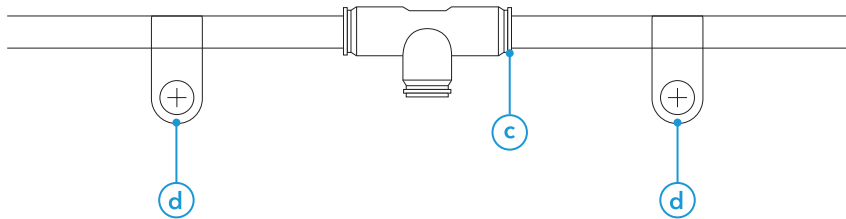
INSTRUCTIONS

2 INSTALLING THE TUBING & TEE NOZZLE ADAPTERS

- a ... When you have reached the desired misting area, cut the tubing where you want to place the first misting nozzle.
- b ... Firmly push a tee nozzle adapter onto the tubing.



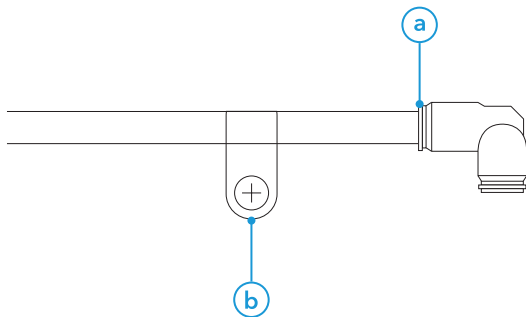
- c ... Insert the cut tubing into the other side of the tee nozzle adapter.
- d ... Secure the tubing on either side of the tee nozzle adapter with the included screws and fasteners.
- e ... Repeat step 2 (a-d) for each tee nozzle adapter. They should be installed every two feet.
- f If you need to make a right angle on your mist line, use one of the 1/4" elbows included with your kit.



INSTRUCTIONS

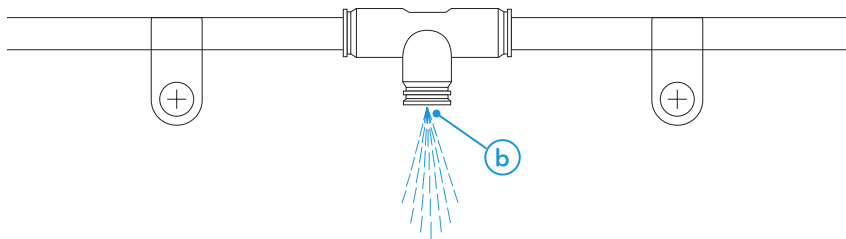
3 INSTALLING THE LAST NOZZLE ADAPTER

- a ... When you have reached the end of your misting area, install the elbow nozzle adapter.
- b ... Secure the fitting with a fastener. This will end your mist line.



4 TURNING THE SYSTEM ON FOR THE FIRST TIME - FLUSHING THE LINE

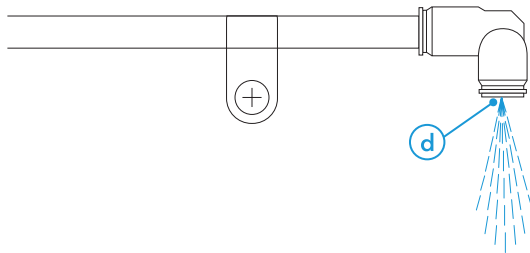
- a ... Make sure the water source connected to your misting pump is turned on.
- b ... Turn on your misting pump. Water should begin running through the mist line and out of the tee nozzle adapters. Make sure the water looks clear, then turn your system off.



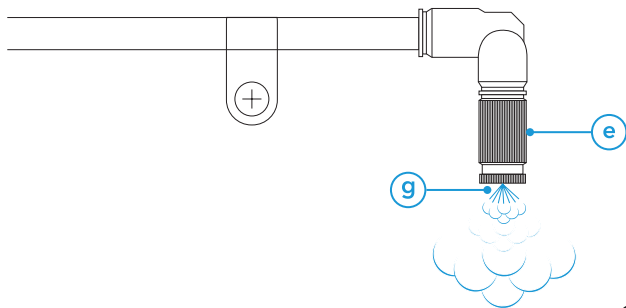
INSTRUCTIONS

4 TURNING THE SYSTEM ON FOR THE FIRST TIME - FLUSHING THE LINE *cont.*

- c ... Install nozzles by screwing them into each of the tee nozzle adapters. Do not install a nozzle in the elbow nozzle adapter at this time.
- d ... Turn the system on again until you see water coming out of the elbow nozzle adapter. Once you have a steady flow of water, turn the system off.



- e ... Install the last nozzle and turn the system on again. Check all fittings for leaks.
- f ... If a leak is found, turn off the system and make sure the tubing is fully inserted in the fitting.
- g ... If no leaks are found, you are now ready to enjoy your misting system.





MCS PRODUCTS

**CENTRAL TEXAS #1 MISTING
COMPANY SINCE 2003**

ESTABLISHED 2003 LOCALLY OWNED
AND OPERATED MADE IN AUSTIN, TEXAS

13200 POND SPRINGS ROAD, SUITE A-106
AUSTIN, TEXAS 78729
info@mcs-products.com

MCS-PRODUCTS.COM



TOLL FREE 844-344-2069