

**ICE CUBE  
MIST COOLING SYSTEM  
INSTALLATION  
AND USER GUIDE**



**MCS PRODUCTS**

# ABOUT THIS SYSTEM

Thank you for purchasing an Ice Cube Misting System. This system runs up to 1000 psi which creates a high-pressure mist that evaporates quickly. This evaporation cools the air temperature, making your outdoor living area more enjoyable during those hot summer days.



# BOX CONTENTS

- Ice Cube Misting System
- 50 ft. Low-Pressure Tubing
- 50 ft High-Pressure Tubing
- Hose Bib Adapter
- 5" Filter Canister and Filter
- 3/8" Auto Drain Nozzle Union
- 3/8" High-Pressure Union
- Bag of Screws
- Bag of Fasteners
- Tubing Cutter
- Magnetic Nut Driver
- Outdoor Wi-Fi Smart Plug

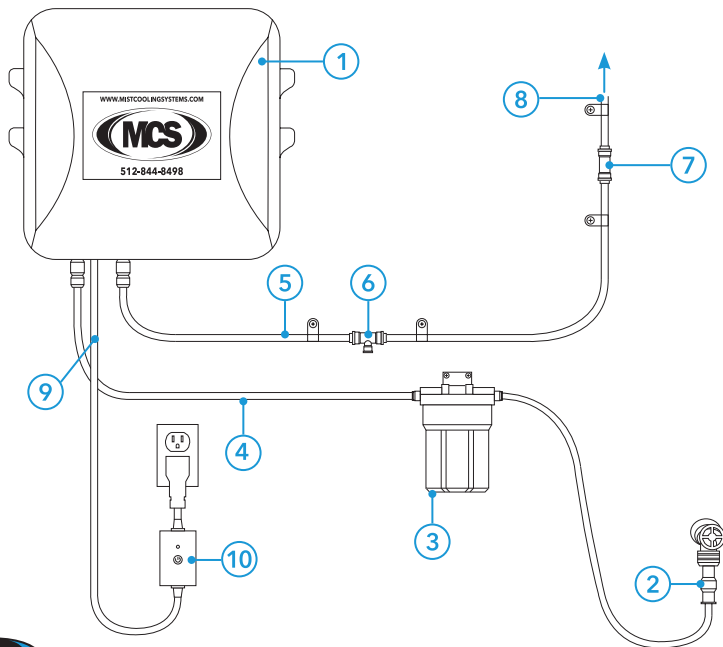


**Be sure to properly identify the low-pressure and high-pressure tubing. Read all instructions thoroughly before beginning installation.**



**For helpful information on our systems, checkout our resources page at [mosquitoandcoolingsystems.com/resources](https://mosquitoandcoolingsystems.com/resources).**

# OVERVIEW OF SYSTEM



- 1 ..... ICE CUBE
- 2 ..... HOSE BIB ADAPTER
- 3 ..... 5" FILTER
- 4 ..... LOW-PRESSURE TUBING
- 5 ..... HIGH-PRESSURE TUBING
- 6 ..... AUTO DRAIN
- 7 ..... HIGH-PRESSURE UNION
- 8 ..... TO MIST LINE OR FAN
- 9 ..... POWER CORD
- 10 ..... OUTDOOR WI-FI SMART PLUG

# INSTRUCTIONS

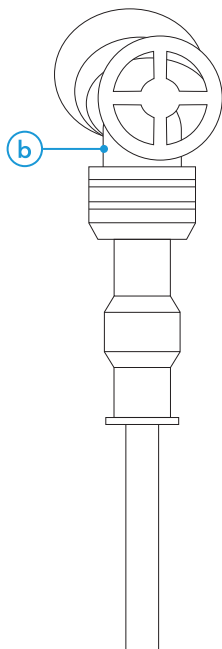
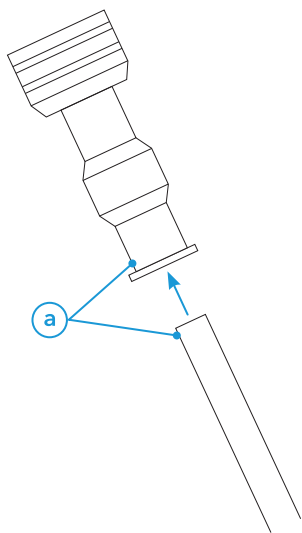


**READ ALL INSTRUCTIONS THOROUGHLY  
BEFORE BEGINNING INSTALLATION**



## 1 HOSE BIB ADAPTER

- a ... Use the tubing marked “Low Pressure.” Take the hose bib adapter in one hand and the low-pressure tubing in the other hand. Firmly insert the tubing into the push-to-connect fitting on the hose bib adapter.
- b ... Attach the hose bib adapter to your hose bib.

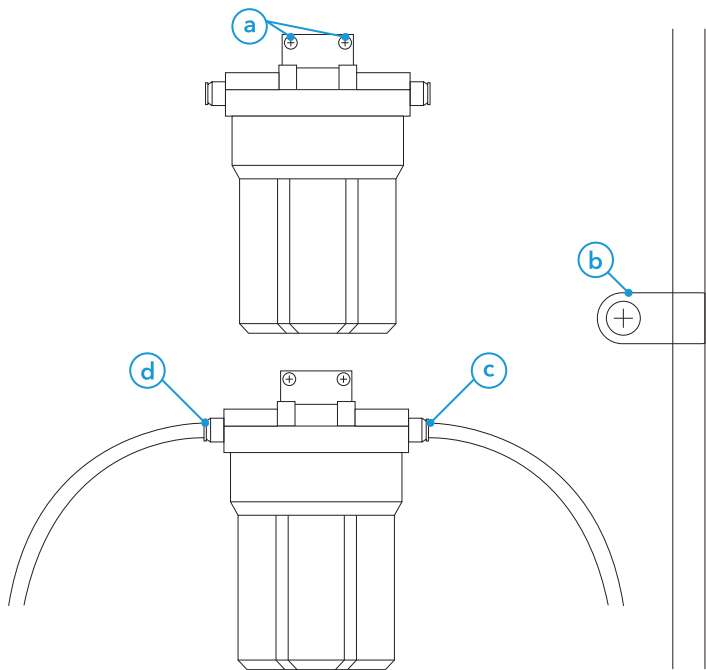


# INSTRUCTIONS

## 2 5" FILTER

- a ... Mount filter using appropriate hardware for your application.
- b ... Route tubing from hose bib to filter. Use fasteners as needed.
- c ... Using the supplied tubing cutter, cut tubing and insert tubing from the hose bib into the "IN" side of the filter.
- d ... Connect the other side of the cut tubing into the "OUT" side of the filter.

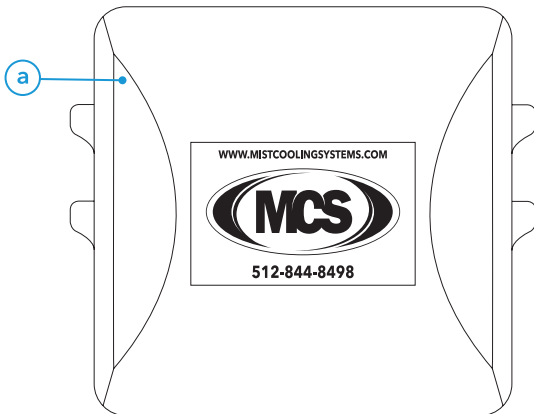




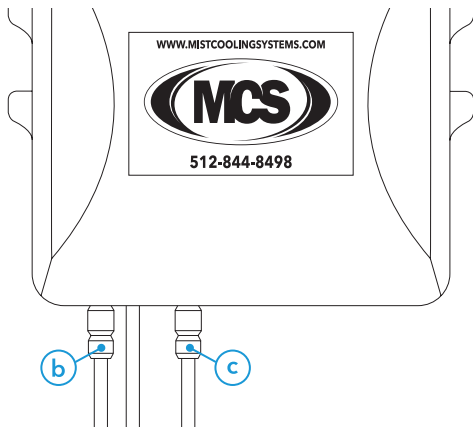
# INSTRUCTIONS

## 3 MOUNT ICE CUBE MISTING SYSTEM

- a ... Before connecting the tubing to your system, mount the Ice Cube Misting System on the wall. You will find mounting holes on the bottom of the case when you remove the cover. Be sure to use appropriate hardware for your mounting surface.



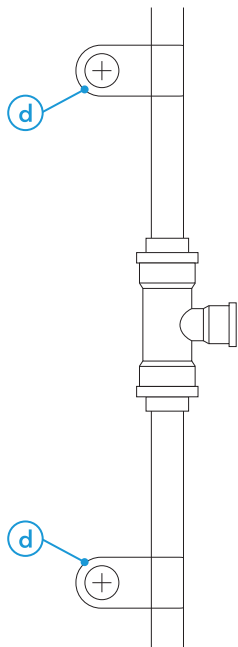
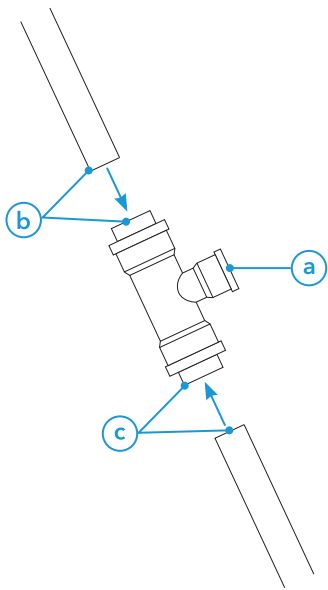
- b... Once the system is mounted, insert the low-pressure tubing coming from the filter into the port on the Ice Cube marked "IN."
- c... Use the tubing marked "High Pressure." Insert the high pressure tubing into the port on the Ice Cube marked "OUT."



# INSTRUCTIONS

## 4 AUTO DRAIN NOZZLE

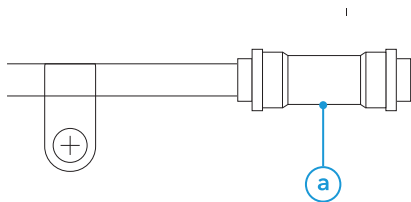
- a ... The fitting marked "Auto Drain Nozzle" will release pressure to prevent the nozzles from dripping when the system is turned off. Take care when choosing the location, as the nozzle will spray a brief mist of water when the system is turned off. The Auto Drain Nozzle should be installed on the high pressure tubing close to the system. After identifying an appropriate location, begin by cutting the tubing with the supplied tubing cutter.
- b ... With the high-pressure tubing in one hand, and the auto drain union in the other, firmly press the tubing into the auto drain union.
- c ... Press the other end of the cut tubing into the other side of the auto drain union.
- d .. Secure the auto drain union with fasteners and continue routing the tubing toward the misting area.



# INSTRUCTIONS

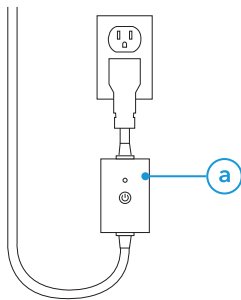
## 5 HIGH-PRESSURE UNION

a ... When you have reached the desired misting area, cut the tubing and install the High-Pressure Union. Take the union in one hand and the tubing in the other hand. Firmly insert the tubing into the union. Secure the union with fasteners as needed.



## 6 OUTDOOR WI-FI SMART PLUG

- a ... Finally, plug your system into the Outdoor Wi-Fi Smart Plug. It is best to connect your Smart Plug to your network while you are close to your Wi-Fi router, then bring the plug outside to connect to your Misting System. Follow the instructions included with your Smart Plug. The Ice Cube Misting System is now installed and you are ready to attach a mist line or fan kit. For instructions, see installation guides included with those kits.





**MCS PRODUCTS**

**CENTRAL TEXAS #1 MISTING  
COMPANY SINCE 2003**

ESTABLISHED 2003 LOCALLY OWNED  
AND OPERATED MADE IN AUSTIN, TEXAS

13200 POND SPRINGS ROAD, SUITE A-106  
AUSTIN, TEXAS 78729  
info@mcs-products.com

**MCS-PRODUCTS.COM**



**TOLL FREE 844-344-2069**