



BY-X1D

BY-X1U

Single-Axis Smartphone
Gimbal & Wireless
Microphone System

手机单轴稳定器
(无线麦克风系统)

User Manual
用户手册



INTRODUCTION

Thanks for choosing BOYA!

BOYA BY-X1 is a single-axis smartphone gimbal, providing motorized roll motion control for smartphones to keep your horizon stable.

It also doubles as a receiver, working with the supplied transmitter for wireless audio transmission.

The BY-X1 is compatible with Android/iOS phones, delivering clear and intelligible sound for your device.

It is perfect for live streaming, vlogging, selfie shooting, tutorial recording and more.

PACKAGE CONTENTS

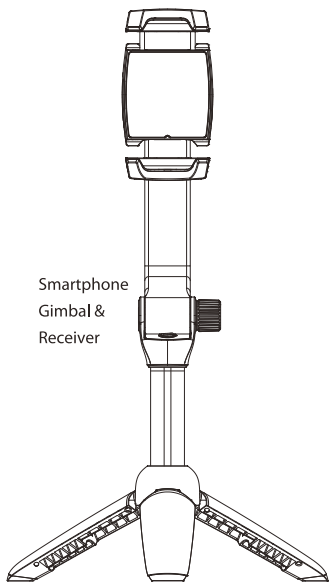
BY-X1D

- BY-X1 Smartphone Gimbal & Receiver
- Wireless Transmitter
- Remote Control
- Remote Control Mount
- Fur Windshield
- 3.5mm TRS to Lightning Audio Output Cable
- 3.5mm TRS to 3.5mm TRRS Adapter Cable
- Type-C to USB-A Charging Cable

BY-X1U

- BY-X1 Smartphone Gimbal & Receiver
- Wireless Transmitter
- Remote Control
- Remote Control Mount
- Fur Windshield
- 3.5mm TRS to Type-C Audio Output Cable
- 3.5mm TRS to 3.5mm TRRS Adapter Cable
- Type-C to USB-A Charging Cable

BY-X1D



Smartphone
Gimbal &
Receiver



Wireless
Transmitter



Fur
Windshield



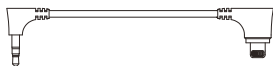
Remote
Control



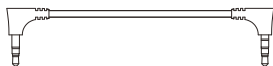
Remote
Control Mount



Type-C to USB-A Charging Cable

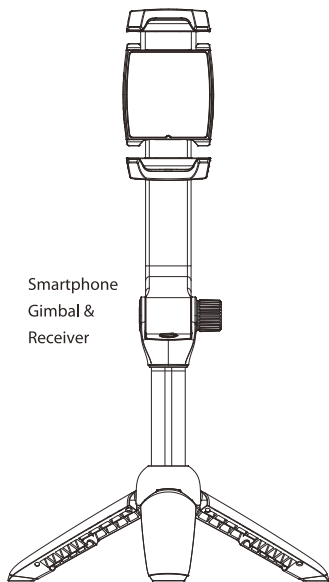


3.5mm TRS to Lightning Audio Output Cable



3.5mm TRS to 3.5mm TRRS Adapter Cable

BY-X1U



Smartphone
Gimbal &
Receiver



Wireless
Transmitter



Fur
Windshield



Remote
Control



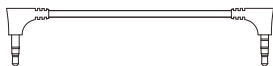
Remote
Control Mount



Type-C to USB-A Charging Cable



3.5mm TRS to Type-C Audio Output Cable



3.5mm TRS to 3.5mm TRRS Adapter Cable

PRODUCT STRUCTURE

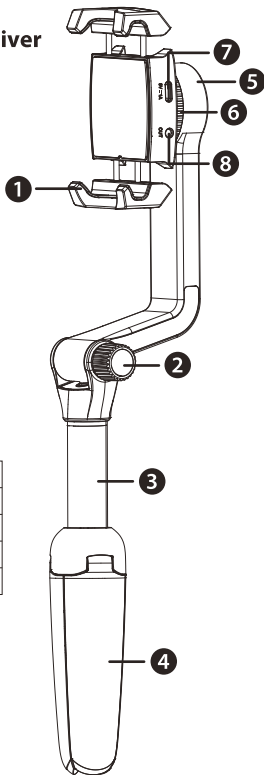
Smartphone Gimbal & Wireless Receiver

1. Smartphone holder
2. Locking knob
3. Extension pole
4. Tripod
5. Roll motor
6. Position lock
7. Type-C charging port
8. 3.5mm output jack
9. Audio/Pair button

- Press and hold the button for 3s to turn on/off the receiver.

10. Receiver status indicator

Mode	Indicator Status
Unpaired	Slowly flashing blue light
Pairing	Quickly flashing blue light
Paired successfully	Solid blue light
Low battery	Quickly flashing red light

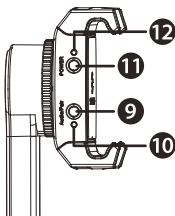


11. Power button

- Press and hold the button for 3s to turn on/off the smartphone gimbal.

12. Gimbal status indicator

Mode	Indicator Status
Power on	Slowly flashing blue light
Abnormally operating	Quickly flashing red light
Low battery	Quickly flashing red light
Charging	Solid red light
Fully charged	Light off



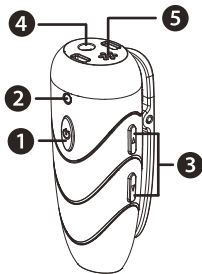
Wireless Transmitter

1. Power button

- Press and hold the button for 3s to turn on/off the transmitter.
- Short press the button to mute/unmute the microphone.

2. Power indicator

Mode	Indicator Status
Unpaired	Slowly flashing blue light
Pairing	Quickly flashing blue light
Paired successfully	Solid blue light
Mute ON	Slowly flashing red light
Low battery	Quickly flashing red light
Charging	Solid red light
Fully charged	Light off



3. ▲/▼ button

- Microphone input level control.

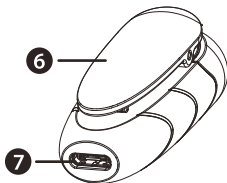
4. 3.5mm TRS MIC IN jack

- It can be connected to a 3.5mm TRS microphone.

5. Built-in microphone

6. Belt clip

7. Type-C charging port



Remote Control

1. ON/OFF switch

2. Power indicator

Mode	Indicator Status
Unpaired	Quickly flashing blue light
Paired successfully	Slowly flashing blue light

3. Shutter/Record button

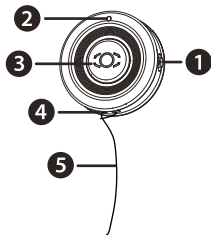
- Press once to take a photo or start/stop recording.

- Press and hold for burst shooting when in photo mode.

4. Lanyard hole

5. Lanyard

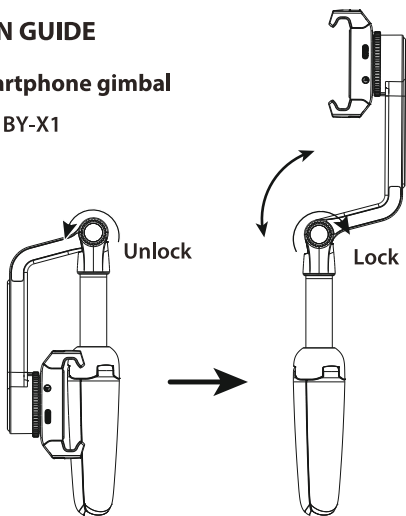
6. Remote Control Mount



OPERATION GUIDE

Use as a smartphone gimbal

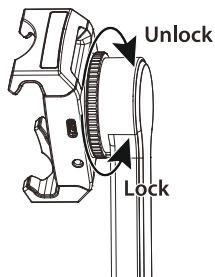
1. Unfold the BY-X1



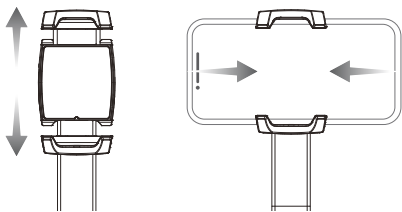
2. Rotate the position lock to loosen it.



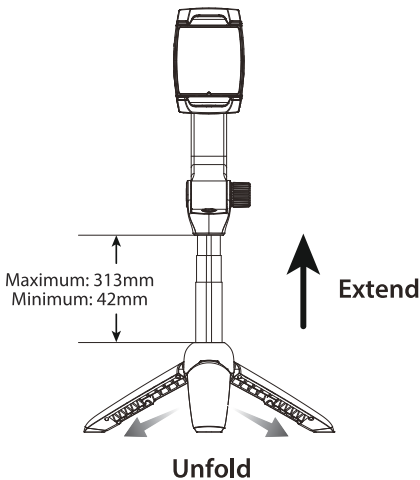
Note:
Rotate it in the reverse direction to lock.
You can use the BY-X1 as a selfie stick.



3. Pull the smartphone holder and put your smartphone in.



4. Extend and unfold the handle according to your needs.



5. Press and hold the Power button for 3s to turn on the smartphone gimbal.



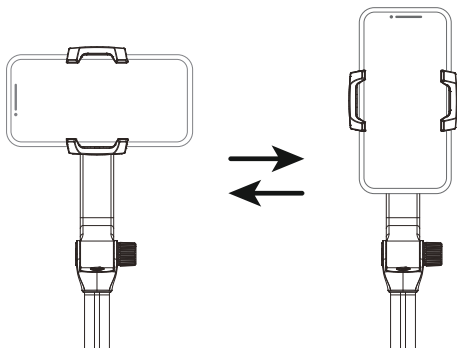
Note: Please unlock the position lock before powering on the gimbal.

6. Landscape/Portrait mode switching

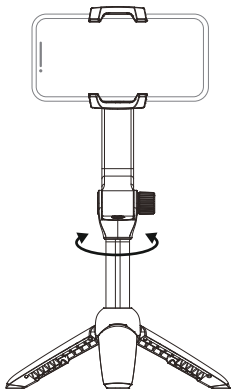
Short press the Power button to switch between Landscape and Portrait mode.



Note: Single-click for clockwise rotation. Double-click for counterclockwise rotation.



7. Adjust the gimbal towards the subject you want to record



CALIBRATION

If the gimbal cannot work normally, please calibrate it as follows:

1. Press the Power button 5 times continuously within 10s after powering on. The indicator will flash in blue quickly.
2. After the gimbal automatically rotating once, the indicator turns alternating red and blue.
3. Turn the side with indicators up, and short press the Power button. When the indicator turns blue and flashes slowly, the calibration is completed.



Note:

- Before calibrating, please place the gimbal on a flat surface.
- If the phone holder is unbalanced or blocked, the indicator will flash in red quickly. If there is no adjustment within 10 minutes, the gimbal will automatically shut down.
- If errors occur during calibration, the indicator will turn solid red. Please recalibrate the device.

Use as a receiver

1. Press and hold the Audio button for 3s to turn on the receiver.
2. Press and hold the Power button for 3s to turn on the transmitter.
3. Transmitter & receiver pairing

Before leaving the factory, the system has been paired successfully. If they are disconnected or unpaired, please see below for pairing instructions:

- Make sure that receiver and transmitter are powered off.
 - Press and hold the Pair button of the receiver for 6s.
When the receiver indicator flashes in blue rapidly, press and hold the Power button of the transmitter for 6s to enter pairing mode.
 - When pairing is successful, the indicators will turn solid blue.
4. Use the supplied output cable to connect the receiver to your smartphone.
 5. You are ready to record.



Note:

Due to 2.4GHz wireless frequency, signal can be easily attenuated. Please try to avoid obstacles, such as walls and buildings, and avoid close proximity to devices with 2.4GHz signal, such as high-power wifi antennas, smartphones with wifi in use, radios, etc.

Remote Control

1. Switch on the remote control.
2. Turn on Bluetooth, then select "STRIM-BTN10" on your phone.
3. When connection is established successfully, the indicator will flash in blue slowly.
4. Open your smartphone's camera app.
5. Press the shutter/recording button to take a photo or start/stop recording. Press and hold for burst shooting when in photo mode.

FEATURES

- Single-axis smartphone gimbal stabilizer
- Motorized roll motion control
- One-button switching between Landscape and Portrait mode
- Work with transmitter for wireless audio transmission
- Foldable and easy to carry
- Extended pole for selfie shooting
- Compatible with Android/iOS devices
- Remote Control included

SPECIFICATIONS

Smartphone Gimbal & Wireless Receiver

Nominal Capacity	900mAh
Battery Type	Lithium-ion Polymer Battery
Charging Time	Approx. 2 hrs (5V/1A)
Battery Life	12 hrs
Nominal Voltage	3.7 V
Charging Temperature	5°C-40°C
Connector	Type-C Charging Port
Load Capacity (Reference Value)	1.0kg
Angular Vibration Range	Roll Axis: $\pm 0.1^\circ$
Max Controllable Speed	Roll Axis: $180^\circ / s$
Transmission Type	2.4GHz
Modulation	FSK
Operating Range (without obstacles)	30m
Audio Output Connector	3.5mm Jack
Operating Current	0.3A~1.7A
Weight	269.5g
Dimensions	202*35*75.5mm
Operating Temperature	0°C to 50°C
Storage Temperature	-20°C to +55°C

Wireless Transmitter

Transmission Type	2.4GHz
Modulation	FSK
Operating Range (without obstacles)	30m
Polar Pattern	Omnidirectional
Frequency Response	50Hz-12kHz
Maximum SPL	Built-in Microphone: 115dB SPL
	Lavalier Microphone: 115dB SPL
Sensitivity	Built-in Microphone: -39dB
	Lavalier Microphone: -36.5dB
Signal to Noise Ratio	> 70dB
Power Requirements	3.7V Built-in Li-ion Battery
Charging Time	Approx. 2hrs (5V/1A)
Battery Life	3hrs
Audio Input Connector	3.5mm Mic In Jack
Weight	16.0g
Dimensions	56*24.2*21.85mm
Storage Temperature	-20°C to +55°C
Operating Temperature	0°C to 50°C

感谢您选择BOYA!

BOYA BY-X1是一款手机单轴拍摄稳定器，为手机拍摄提供稳定的防抖功能。产品还提供清晰的无线音频接收功能，通过音频线连接手机，为手机提供清晰的拾音，使拍出的视频画面、声音更加流畅清晰。

BY-X1适用于旅游拍摄，亲子跟拍，实时直播，VLOG短视频拍摄、教学录制等场景使用。

包装清单

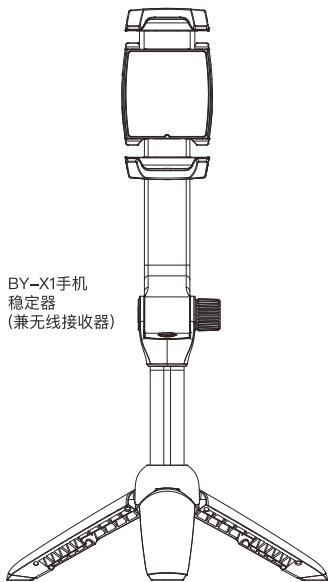
BY-X1D

- BY-X1手机稳定器 (兼无线接收器)
- 无线发射器
- 蓝牙遥控器
- 遥控器支架
- 防风毛套
- 3.5mm TRS转Lightning音频输出线
- 3.5mm TRS转3.5mm TRRS音频转接线
- Type-C转USB-A充电线

BY-X1U

- BY-X1手机稳定器 (兼无线接收器)
- 无线发射器
- 蓝牙遥控器
- 遥控器支架
- 防风毛套
- 3.5mm TRS转Type-C音频输出线
- 3.5mm TRS转3.5mm TRRS音频转接线
- Type-C转USB-A充电线

BY-X1D



BY-X1手机
稳定器
(兼无线接收器)



无线发射器



防风毛套



蓝牙遥控器



遥控器支架



Type-C转USB-A充电线

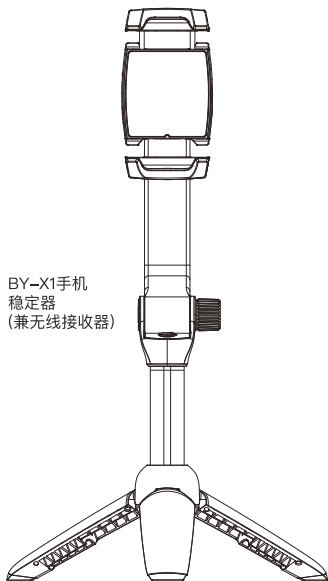


3.5mm TRS转Lightning音频输出线



3.5mm TRS转3.5mm TRRS音频转接线

BY-X1U



BY-X1手机
稳定器
(兼无线接收器)



无线发射器



防风毛套



蓝牙遥控器



遥控器支架



Type-C转USB-A充电线



3.5mm TRS转Type-C音频输出线



3.5mm TRS转3.5mm TRRS音频转接线

产品结构

手机稳定器 (兼无线接收器)

1. 手机夹
2. 锁紧旋钮
3. 延长杆
4. 三脚架
5. 横滚轴电机
6. 手机夹锁紧旋钮
7. Type-C 充电孔
8. 3.5mm 音频输出孔
9. 音频/配对键

– 长按此键3秒，可打开/关闭接收器。

10. 接收器状态指示灯

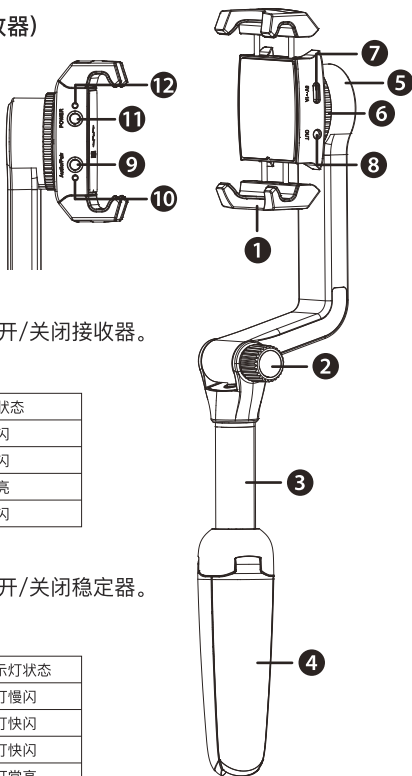
模式	指示灯状态
接收器未联机状态	蓝灯慢闪
接收器对码中	蓝灯快闪
接收器联机成功	蓝灯常亮
低电量	红灯快闪

11. 稳定器开关键

– 长按此键3秒，可打开/关闭稳定器。

12. 稳定器状态指示灯

模式	指示灯状态
稳定器工作状态 (开机)	蓝灯慢闪
受阻、工作异常等	红灯快闪
低电量	红灯快闪
充电状态	红灯常亮
电量充满	红灯熄灭



无线发射器

1. 电源键

- 长按此键3秒，可打开/关闭发射器。
- 短按此键进入/取消静音模式。

2. 电源指示灯

模式	指示灯状态
发射器未联机状态	蓝灯慢闪
发射器对码中	蓝灯快闪
发射器联机成功	蓝灯常亮
静音模式	红灯慢闪
低电量	红灯快闪
充电状态	红灯常亮
电量充满	红灯熄灭

3. ▲/▼ 键

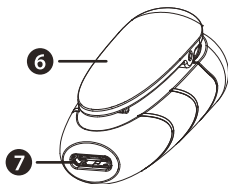
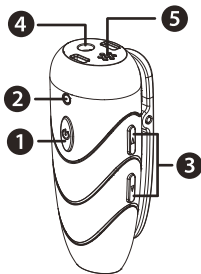
- 麦克风输入增益调节。

4. 麦克风输入孔

5. 内置麦克风

6. 背夹

7. Type-C充电孔



蓝牙遥控器

1. 开关键

2. 电源指示灯

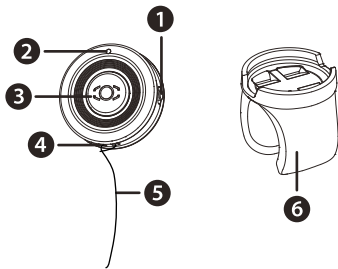
3. 拍摄键

- 单击拍照或录像；
- 拍照模式下，长按连拍。

4. 挂绳孔

5. 挂绳

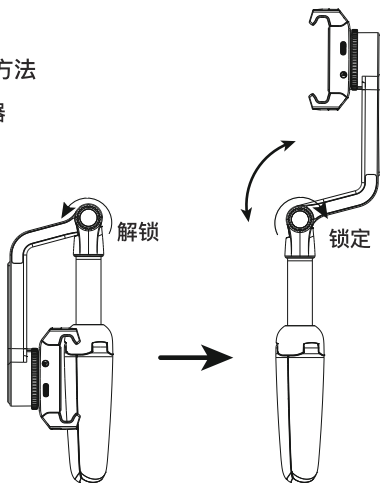
6. 遥控器支架



使用方法

稳定器使用方法

1. 展开稳定器

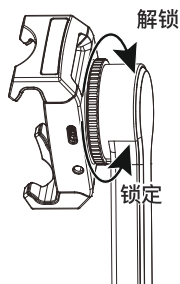


2. 将手机夹背后的旋钮调松

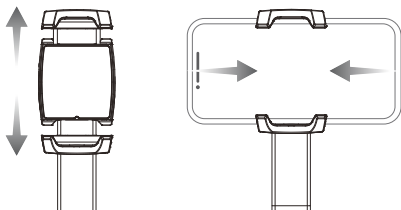


注意：

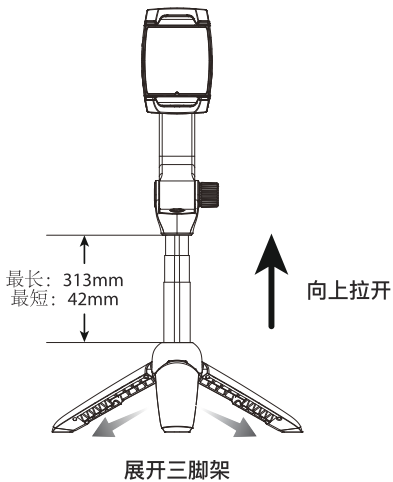
若不需要用到稳定器功能，可将此旋钮锁紧，充当自拍杆使用。



3. 拉开手机夹，将手机左右居中置入



4. 根据拍摄需要，展开手持支架及伸缩杆



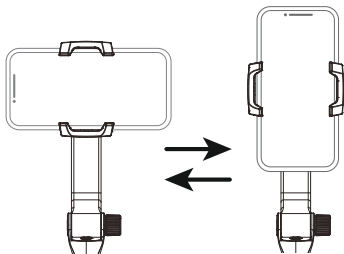
5. 长按稳定器开关键3秒，稳定器功能打开



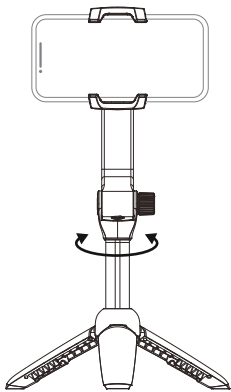
注意：开机使用前，请务必解锁手机夹锁定旋钮。

6. 横竖拍模式切换

- 短按稳定器开关键
切换横竖拍模式。
- 单击：顺时针旋转；
- 双击：逆时针旋转。



7. 如图所示，根据拍摄对象 调节稳定器角度



稳定器校准

若稳定器出现不平衡状态，请按照以下步骤进行校准：

1. 将稳定器开机，并在开机后10秒内连按稳定器开关键5次，指示灯呈蓝灯快闪，稳定器转动一圈。
2. 在稳定器转动一圈后，指示灯会呈红蓝灯交替闪烁状态。
3. 在红蓝灯闪烁状态下，将稳定器有指示灯的一面朝上，然后短按稳定器开关键，待指示灯变为蓝灯慢闪，校准完成。



注意：

- 校准前，请将稳定器置于水平桌面上。
- 手机夹若不平衡、受阻，指示灯会呈红灯快闪，若10分钟内没有调整，稳定器会自动关机。
- 若校准过程出现异常，指示灯会呈红灯常亮，请重新校准设备。

无线接收器使用方法

1. 长按音频键3秒，打开接收器功能
2. 长按发射器电源键3秒，启动发射器
3. 发射器和接收器配对

发射器和接收器的出厂默认设置是已配对成功，若无成功连接，请进行下一步配对操作：

- 确保发射器和接收器都处于关机状态下；
 - 长按接收器音频/配对键6秒，当指示灯呈蓝灯快闪时，长按发射器电源键6秒，进入配对模式；
 - 配对成功后，指示灯呈蓝灯常亮。
4. 用配套的转接线将接收器连接至手机设备
 5. 开始录制



注意：

由于在2.4GHz频谱下，信号很容易受干扰，请尽量避开墙壁和建筑物等障碍物，避免接近 2.4GHz频率的设备，如大功率WiFi天线、正在使用WiFi的智能手机、收音机等。

蓝牙遥控器使用方法

1. 将蓝牙遥控器的开关键拨至ON
2. 打开手机蓝牙，搜索找到“STRIM-BTN10”，点击连接
3. 连接成功后，蓝牙遥控器指示灯呈蓝灯慢闪
4. 打开手机的拍照应用
5. 此时短按拍摄键，能远程遥控拍照或录像

特点

- 单轴手机云台稳定器
- 横滚轴电机控制，稳定防抖
- 一键切换横竖拍
- 搭配发射器使用，实现无线音频传输
- 便携可折叠
- 伸缩自由，可充当自拍杆
- 兼容安卓/苹果设备
- 配备蓝牙遥控器

参数

手机稳定器（兼无线接收器）

标称容量	900mAh
电池类型	聚合物锂电池
充电时间	约2小时 (5V/1A)
续航时间	12小时
标称电压	3.7 V
充电温度	5°C-40°C
支持接口类型	Type-C充电孔
负载重量 (参考值)	1.0kg
角度抖动	横滚轴: $\pm 0.1^\circ$
最大可控转速	横滚方向: $180^\circ / s$
传输频率	2.4GHz
信号调节	FSK
传输距离 (无障碍)	30米
音频输出接口	3.5 mm插孔
工作电流	0.3A~1.7A
重量	269.5g
尺寸	202*35*75.5mm
工作温度	0°C ~ 50°C
储存温度	-20°C ~ +55°C

无线发射器

传输频率	2.4GHz
信号调节	FSK
传输距离(无障碍)	30米
拾音模式	全向型
频率响应	50Hz-12kHz
最大声压级	内置麦克风:115dB SPL
灵敏度	领夹麦克风: 115dB SPL
	内置麦克风: -39dB
信噪比	领夹麦克风: -36.5dB
	> 70dB
电池类型	3.7V内置锂电池
充电时间	约2小时 (5V/1A)
续航时间	3小时
音频输入接口	3.5mm麦克风输入孔
重量	16.0g
尺寸	56*24.2*21.85mm
工作温度	0°C ~ 50°C
储存温度	-20°C ~ +55°C

www.boya-mic.com

SHENZHEN JIAYZ PHOTO INDUSTRIAL., LTD.

The BOYA logo is a trademark which is registered and owned by Shenzhen Jiayz Photo Industrial., Ltd.

深圳市长丰影像器材有限公司

地址:广东省深圳市龙华区观澜街道大富社区硅谷动力智能终端产业园A16栋

TEL: 400 6131096

Email: sales@boya-mic.com

www.boya-mic.com / www.jiayz.com