

	1		2
品牌	BOYA	长丰型号	BY-M17R

修改名称	版本	变更内容	变更日期	变更担当



BY-M17R

On-camera condenser shotgun microphone
机顶枪式麦克风

Instruction Manual
说明书

INTRODUCTION

Thanks for choosing BOYA!

The BY-M17R is a limited-budget super-cardioid shotgun microphone, which is specially designed for DSLRs, camcorders and audio recorders. With its good quality and super-cardioid polar pattern, it could be widely used in daily recordings, such as video shooting, vlogging, podcasting and more.

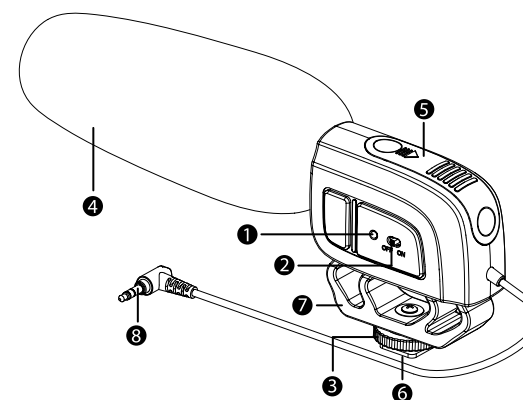
Features with a standard 1/4" mount thread, it allows BY-M17R to be mounted on any standard cold shoe mount. With integrated shock mount, it could effectively reduce vibration during any shooting environment. Constructed by solid ABS, the BY-M17R is of super light-weight, but yet it picks up crystal clear sound.

PACKAGE CONTENTS

- BY-M17R microphone
- Foam windshield
- User manual
- Warranty card

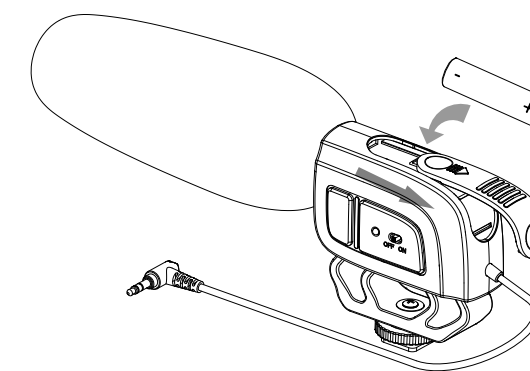
PRODUCT STRUCTURE

1. Power indicator
2. Power switch
3. Cold shoe mount
4. Foam windscreen
5. Battery compartment
6. 1/4" mounting thread
7. Integrated shock mount
8. 3.5mm TRS audio output jack



INSTALL THE BATTERY

1. Slide the battery compartment lid in the direction of the arrow.
2. Insert one piece of AA battery. Make sure that the + and - signs match the symbols in the compartment.
3. Replace the battery compartment lid.



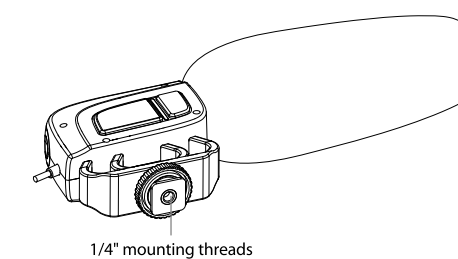
SETTING UP YOUR MICROPHONE

To attach your microphone to a camera:

1. Loosen the locking knob, then slide your microphone's shoe mount onto your camera.
2. Tighten the locking knob to secure your microphone.
3. Connect the 3.5mm audio cable to your camera.

To attach your microphone to a tripod:

1. Tighten the microphone to the 1/4" mounting thread on a tripod or tripod plate. Please refer to the instructions that camera with your tripod for more information.
2. Connect the 3.5 mm audio cable to your camera.



USING YOUR MICROPHONE

1. Turn on your camera.
2. Turn the power switch to ON, the LED indicator stays blue.
3. Put the microphone towards the sound source.
4. Turn off the microphone after recording finished.

FEATURES

- On-camera condenser microphone
- Super-cardioid polar pattern
- Capture crisp and clean sound
- Easy to use
- Powered by one AA battery
- Standard 1/4" mounting thread
- 3.5mm gold-plated audio cable
- Foam windshield included
- Solid ABS construction

SPECIFICATION

Acoustic Principle:	Condenser Microphone
Polar Pattern:	Super-cardioid
Frequency Response:	20-20,000Hz
Sensitivity:	-42±3dB (0dB=1V/Pa @ 1KHz)
Output Impedance:	50 Ohm
S/N:	78dB and more
Output Connector:	3.5mm TRS connector
Power Requirement:	One AA battery
Operating Time with Battery:	50H
Net Weight:	116.5g (4.11oz)
Dimension:	240*106*64mm (9.45*4.17*2.52")

感谢您选择BOYA!

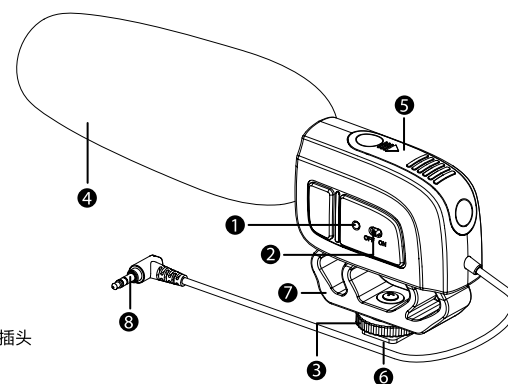
BY-M17R是一款超心型枪麦，用户可进行视频拍摄，视频日志，博客等，并适用于单反，摄像机，录音笔等设备。麦克风底部内置1/4"螺丝孔，可搭配脚架等其他附件使用。麦克风内内置防震降噪结构设计，有效减少录制过程中产生的震动噪音。

包装清单

- BY-M17R麦克风
- 防风棉
- 说明书
- 保修卡

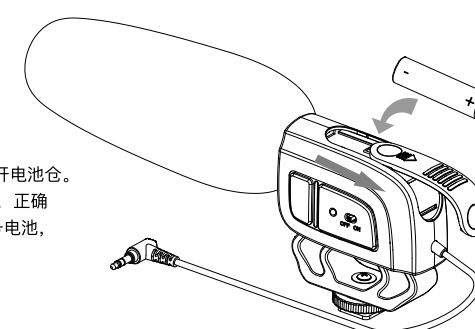
产品结构

1. 电源指示灯
2. 电源开关
3. 冷靴座
4. 防风棉
5. 电池仓
6. 1/4"螺丝孔
7. 内置防震架
8. 3.5mm TRS输出插头



电池安装操作

1. 按照箭头指示打开电池仓。
2. 根据正负极指示，正确放入一节AA五号电池。
3. 关闭电池仓



操作指南

相机安装操作:

1. 拧松麦克风底部的卡位固定旋钮，安装在相机的热靴座上。
2. 拧紧旋钮固定好麦克风
3. 将麦克风的输出插头连接至相机的麦克风输入孔

脚架安装操作:

1. 麦克风底部有个1/4"螺丝孔，麦克风可搭配脚架进行使用。
2. 将麦克风的输出插头连接至相机的麦克风输入孔

特点

- 机顶式电容枪麦
- 超心型拾音模式
- 内置防震降噪架
- 配置防风棉
- 操作简单，实现快速录制
- 1/4"螺丝孔
- 3.5mm镀金TRS输出插头
- 一节AA五号电池供电

参数

声学原理	电容麦克风
拾音模式	超心型
频率响应	20-20,000Hz
灵敏度	-42±3dB (0dB=1V/Pa @ 1KHz)
输出阻抗	50 Ohm
信噪比	> 78dB
输出插头	3.5mm TRS音频插头
供电方式	一节AA五号电池
使用时长	50小时
重量	116.5g (4.11oz)
尺寸	240*106*64mm (9.45*4.17*2.52")

www.boya-mic.com

SHENZHEN JIAYZ PHOTO INDUSTRIAL, LTD.

The BOYA logo is a trademark which is registered and owned by Shenzhen Jiayz Photo Industrial, Ltd. COPY RIGHT 2010-2020

深圳市长丰影像器材有限公司

地址:广东省深圳市龙华区观澜街道大富社区硅谷动力智能终端产业园A16栋

TEL: 400 6131096

Email: sales@boya-mic.com

www.boya-mic.com / www.jiayz.com

技术要求:

- 1、表面无色差
- 2、无正负公差
- 3、包装标注尺寸为内尺寸

受控文件
2021-1-21
长丰影像



JIAYZ 长丰 深圳市长丰影像器材有限公司					
子件名称	BY-M17R中英文说明书 (BOYA图形LOGO)-CN	版本	V00		
子件编号	1F0300300390	材质	105g双铜纸	双面印刷	4折页
尺寸	100x160	比例	1:1	单位	mm
设计/日期	吴蒙蒙 2020-12-2	审核	暂无	核准/日期	赵宏亮