

BOYA

Desktop Gooseneck Condenser Microphone

鹅颈桌面会议电容式麦克风

BY-GM18CB

Instruction Manual
使用说明



Introduction

Thanks for choosing BOYA!

BOYA BY-GM18CB is a cardioid condenser gooseneck microphone. It's an ideal choice for lectures, conferences and meetings.

With excellent cardioid polar pattern, the BY-GM18CB can clearly capture the voice in front of the mic, designed to provide clear and intelligible speech reproduction for lectures, video conferences, meetings, and more.

The BY-GM18CB's shaft features upper and lower gooseneck sections that enable you to precisely position the capsule in front of the speaker for optimal sound. ON/OFF status is clearly indicated by the LED ring below the mic capsule. The BY-GM18CB can be powered by 2 AAA batteries or XLR 48V Phantom power.

Package Contents

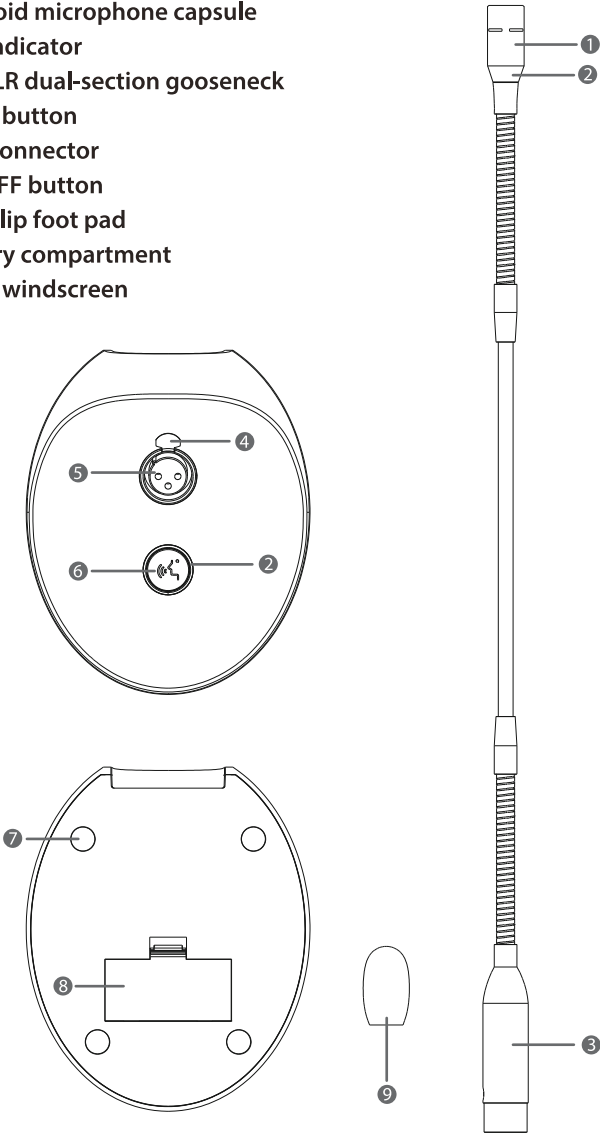
- 18" Gooseneck Microphone
- Microphone Base
- User Manual
- Warranty Card

Safety Instructions

- Please read this user manual carefully and completely before using the product, and keep it for future reference.
- Warning: improper installation could irreparably damage the unit.
- Place the unit in a location protected from weather and far from water and moisture.
- Keep all liquids away from the product. Liquids entering the product can short-circuit the electronics or damage the mechanics.
- Don't place this unit close to heat sources (radiators, spotlights, amplifiers etc.)

Introduction

- 1. Cardioid microphone capsule
- 2. LED Indicator
- 3. 18" XLR dual-section gooseneck
- 4. PUSH button
- 5. XLR connector
- 6. ON/OFF button
- 7. Anti-slip foot pad
- 8. Battery compartment
- 9. Foam windscreen



Operation Guide

1. Insert 2 AAA batteries into the battery compartment according to the polarity indicated inside the compartment.



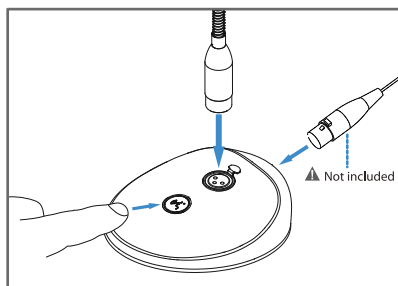
Note: If using phantom power, please skip this step.

2. Insert the gooseneck connector into microphone base surface XLR connector as shown.
3. Connect microphone base to an external unit (mixer, amplifier, etc).

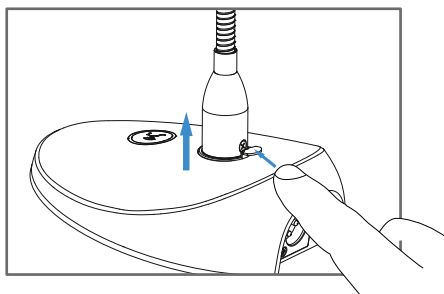


Note: Switch phantom power on if the external unit can offer 48 phantom power.

4. Press the ON/OFF button and start it up. Two LED indicators will light up at the same time.
5. Press the ON/OFF button again to turn off the unit. The LED indicators will be off.



NOTE: Please press PUSH button to remove.

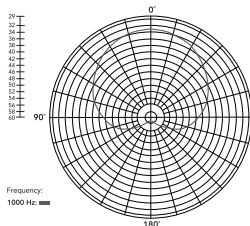
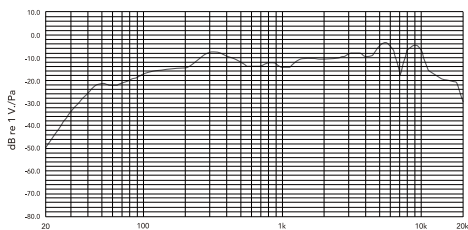


Features:

- High quality 18" cardioid condenser gooseneck microphone
- Deliver clear and intelligible sound
- Ideal for lectures, video conferences, meetings, etc
- Flexible dual-section gooseneck enables ease of use and positioning
- Built-in LED indicators show working status at any time
- Powered by 1.5V AAA battery or 48V phantom power
- Foam windscreen included

Specifications:

Acoustic Principle	Condenser
Polar Pattern	Cardioid
Frequency Response	50 ~ 16,000 Hz
Sensitivity	-35±2dB (0dB=1V/Pa @ 1KHz)
Signal to Noise Ratio	78 dB
Output Connector	XLR Connector
Power Requirement	AAA Battery *2 / 48V Phantom Power
Operating Time with Battery	> 168 Hours+ (AAA Battery)
Material	ABS+PC
Maximum SPL	110dB SPL
Dimensions	Gooseneck Mic:φ20x490mm (0.8x19.9")
	Mic Base:141 × 116 × 41mm (5.5x4.5x1.6")
Microphone Weight	597g (21oz)



感谢您选择BOYA!

BOYA BY-GM18CB是一款心形指向桌面鹅颈电容麦克风，适用于会议、舞台、主持、演讲、直播等多种场景。

心形指向性麦克风，满足前方声音收录，会议场景发言效果更清晰。

18英寸双折鹅颈设计，面对不同高度、不同距离的会议桌面都能调整自如，适应多种高度的桌面。主控按键和麦克风鹅颈灯效提示工作状态，开启麦克风，按键环形灯和鹅颈同时亮。BY-GM18CB有两种供电方案可供选择，支持两节AAA七号电池或48V幻象电源供电。

包装清单

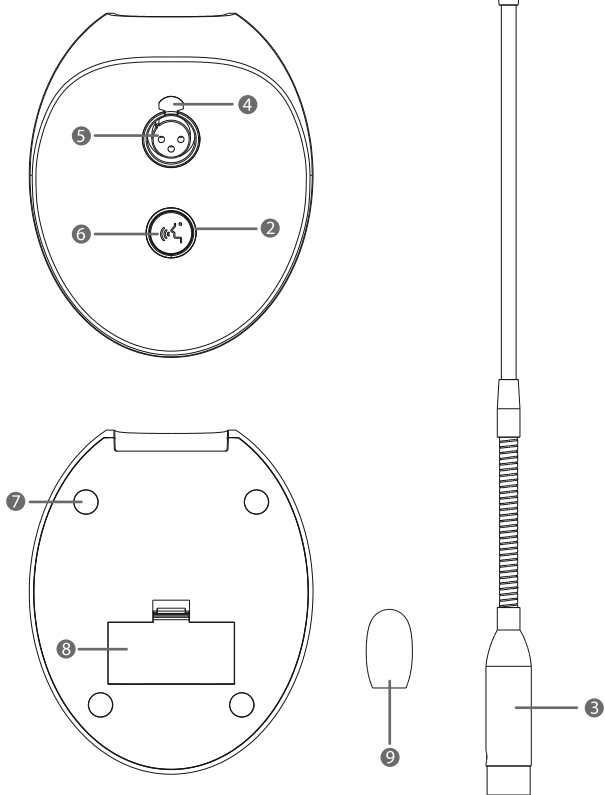
- 18英寸双折鹅颈麦克风
- 麦克风底座
- 用户手册
- 保修卡

安全指南

- 在操作产品前，请仔细阅读这些说明，并妥善保管说明书，以备将来使用。
- 警告：不正确的安装可能会损坏设备。
- 请将本机放置在不受天气影响且远离水和湿气的地方。
- 避免任何液体进入设备内部。
- 请勿将本机靠近热源（散热器，聚光灯，放大器等）

产品结构

1. 心形指向麦克风味头
2. LED指示灯
3. 18英寸可替换XLR双折鹅颈麦主体
4. PUSH按钮
5. XLR接口
6. 主控开关按钮
7. 防滑脚垫
8. 电池仓
9. 防风海绵



使用方法

1. 按照正负极位置，将两节七号电池放入麦克风底座下方的电池仓中。



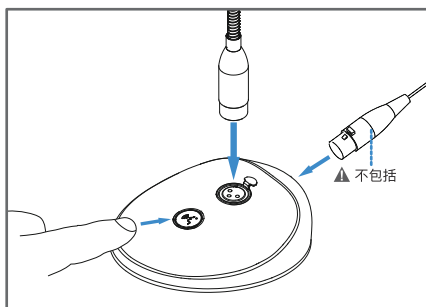
注意：若使用幻象电源供电，请略过此步骤。

2. 如图所示将鹅颈麦插入麦克风底座XLR接口。
3. 将麦克风底座连接到外部设备（混音器，放大器等）

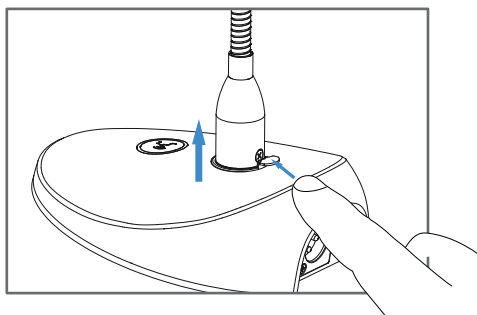


注意：若外部设备可提供48V幻象电源供电，请打开幻象电源供电功能。

4. 开启电源按钮，按键环形灯和鹅颈环形灯同时亮。
5. 再次按下按钮，切换到关闭状态，按键环形灯和鹅颈环形灯同时熄灭。



注意：取出时需按压PUSH金属按钮。

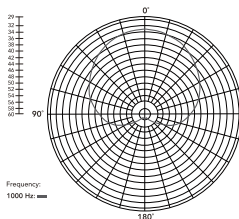
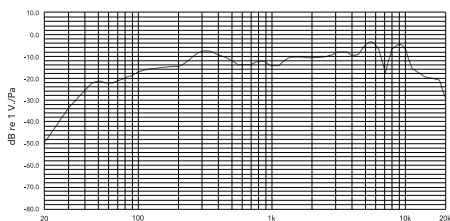


特点

- 高品质18英寸心形指向电容鹅颈麦克风
- 收录清晰干净声音
- 适用于演讲，视频会议，会议等
- 两段式鹅颈设计，可灵活调整麦克风角度
- 内置的LED指示灯随时提示工作状态
- 由2节七号电池或48V幻象电源供电
- 配备防风海绵

参数

声学原理	电容麦
指向性	心形
频响范围	50 ~ 16,000 Hz
灵敏度	-35±2dB (0dB=1V/Pa @ 1KHz)
信噪比	78 dB
输出接口	XLR 平衡接口
电池容量	2节 7 号电池 / 48V 幻象电源
续航时间	> 168h (使用电池供电)
材质	塑料
最大声压级	110dB SPL
尺寸	鹅颈管: $\phi 20 \times 490 \text{mm}$ 底座: 141 × 116 × 41mm
重量	597g



SHENZHEN JIAYZ PHOTO INDUSTRIAL., LTD.

The BOYA logo is a trademark which is registered and owned by Shenzhen Jiayz Photo Industrial., Ltd.

深圳市长丰影像器材有限公司

地址:广东省深圳市龙华区观澜街道大富社区硅谷动力智能终端产业园A16栋

TEL: 400 6131096

Email: sales@boya-mic.com

www.boya-mic.com / www.jiayz.com