

	1		2
品牌	BOYA	长丰型号	BY-BM6060


	7			8
修改名称	版本	变更内容	变更日期	变更担当
BY-BM6060说明书-N	V01	首次发行	2022-07-4	高耀楠
	V02	更新logo, 修改材质	2023.5.5	杨帆

## BOYA

### Super-cardioid Condenser microphone

超心型电容式麦克风  
**BY-BM6060**

User Manual  
用户手册



#### Instruction

Thanks for purchasing BOYA!

The BY-BM6060 focuses on super-cardioid characteristics and resistance to low-noise circuitry noise, it's well-suited to a variety of applications from independent films, TV programs to documentaries.

Initiate switchable high-pass filter control to roll of the low-frequency noise at 150Hz such as rumbles and traffic.

Its 3-pin XLR output is in compliance with 24-48V phantom power supply. When your devices aren't phantom powered, the BY-BM6060 can be powered by one AA battery.

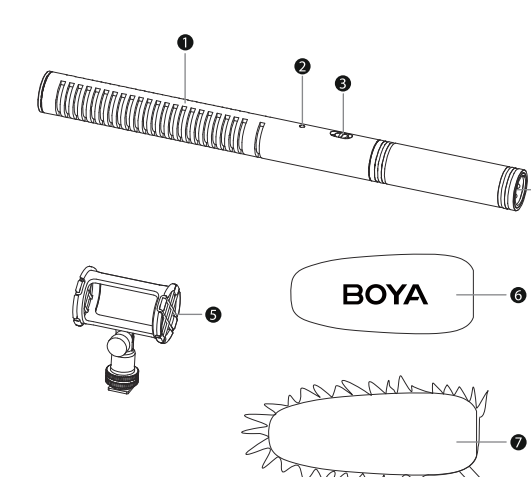
In addition, the BY-BM6060 includes a fur windshield and foam windscreen for an intelligible sound effect and secure protection.

#### Package Contents:

- BY-BM6060 Microphone
- Shock mount
- Foam windscreen
- Fur windshield
- Zipper bag
- User Manual
- Warranty card

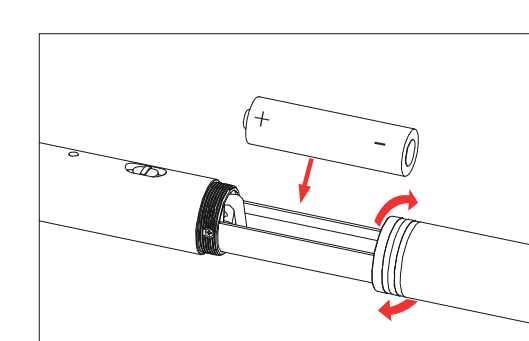
#### Product Structure:

1. Microphone boom
2. Power indicator
3. High-pass filter switch
  - ☑ Low cut    - ON    ○ OFF
4. 3-pin XLR output
5. Shock mount
6. Foam windscreen
7. Fur windshield



#### Installing the battery

1. Unscrew the microphone by rotating the base clockwise and pull out the cover properly to reveal the battery compartment.
2. Insert one AA battery into the compartment aligning as the right polarity.
3. Close the compartment and rotate it anticlockwise to tighten it.

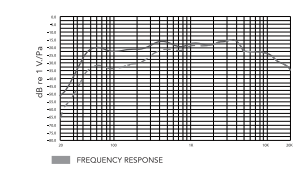
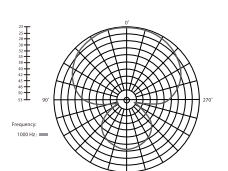


#### Features:

- Ideal for independent films, TV programs, documentaries and more
- Deliver clear and intelligible sound
- Alloy-aluminum construction
- Low-noise circuitry
- Switchable high pass filter control (150Hz)
- Powered by 24-48V phantom power or 1.5V AA battery
- Includes fur windshield, foam windscreen, carry pouch, shock mount adapter

#### Specification:

Type:	Condenser
Polar Pattern:	Super-Cardioid
Frequency Response:	60Hz-20,000Hz
Sensitivity:	-36±3dB(0dB=1V/Pa@1KHz)
Signal-to-Noise Ratio:	80dB
Output Impedance:	200Ω
Power Requirements:	24-48V phantom power or 1.5V AA battery
Output:	3-pin XLR
High Pass Filter:	150Hz
Size:	φ22*280mm
Weight:	129g (4.6 oz)

感谢您选择BOYA!

BY-BM6060是一款超心型电容式麦克风。专业抗底噪及电路噪声，适合于微电影，电视节目，纪录片等拍摄场景。

BY-BM6060有两种供电方案可供选择，3芯XLR音频输出接口，支持24-48V幻象电源供电。当设备不能提供幻象电源时，同时也支持一节AA五号电池供电。

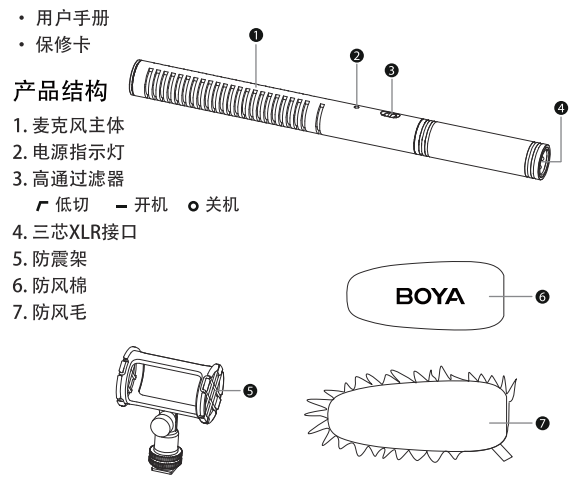
此外，BY-BM6060的低切过滤功能，能够切除150Hz以下的噪音，例如空调声和车鸣声，录制清晰自然的声音。产品配置防风棉及防风毛套，隔绝外界噪音，还原清晰自然的声音。

#### 包装内容

- BY-BM6060麦克风
- 防震架
- 防风棉
- 防风毛
- 拉链包
- 用户手册
- 保修卡

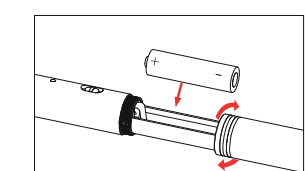
#### 产品结构

1. 麦克风主体
2. 电源指示灯
3. 高通过滤器
  - ☑ 低切    - 开机    ○ 关机
4. 三芯XLR接口
5. 防震架
6. 防风棉
7. 防风毛



#### 安装电池步骤

1. 顺时针旋开底座，往外拉出，打开电池仓。
2. 放入一节五号电池到电池仓，按照正负极位置放入。
3. 关闭电池仓，逆时针旋转。

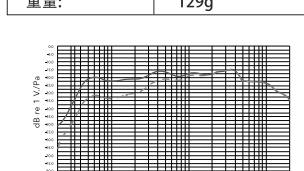
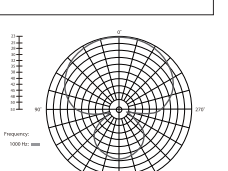


#### 特点

- 适用于微电影，节目拍摄，纪录片等
- 收录清晰干净声音
- 坚固铝合金结构
- 低底噪，低电流声
- 低切过滤器开关(150Hz)
- 由24-48V幻象电源或1\*五号AA电池供电
- 配置防风毛，防风棉，拉链包，防震架

#### 参数

麦克风类型:	电容式
拾音模式:	超心型
频率响应:	60Hz-20,000Hz
灵敏度:	-36±3dB(0dB=1V/Pa@1KHz)
信噪比:	80dB
输出阻抗:	200Ω
能力要求:	24-48V幻象电源或一节五号AA供电
输出接口:	三芯XLR
低切过滤器:	150Hz
尺寸:	φ22*280mm
重量:	129g

www.boyamicro.com V02

**SHENZHEN JIAYZ PHOTO INDUSTRIAL., LTD.**  
The BOYA logo is a trademark which is registered and owned by Shenzhen Jiayz Photo Industrial, Ltd.  
深圳市长丰影像器材有限公司  
地址: 广东省深圳市龙华区观澜街道大富社区硅谷动力智能终端产业园A16栋  
TEL: 400 6131096  
Email: sales@boyamicro.com  
www.boyamicro.com / www.jiayz.com

技术要求:

- 1、表面无色差
- 2、无正负公差
- 3、包装标注尺寸为内尺寸

受控文件  
2023/5/6  
长丰影像

<b>JIAYZ长丰</b> 深圳市长丰影像器材有限公司					
子件名称	BY-BM6060说明书-N	版本	V02		
子件编号	1F0300300537	材质	90g书写纸 双面印刷 4折页		
尺寸	85x150	比例	1:1	单位	mm
设计/日期	杨帆 2023-5-5	审核	暂无	核准/日期	赵宏亮