


品牌	1	2
	长丰型号	


修改名称	版本	变更内容	变更日期	变更担当
BY-PM700/700G/700R说明书	V01	尺寸、封面、页数+新增修改	2021-11-2	吴蒙蒙



**BY-PM700
BY-PM700G
BY-PM700R**

USB MICROPHONE
USB 麦克风

Instruction Manual
使用说明书



Introduction

Thanks for choosing BOYA!

The BOYA BY-PM700/BY-PM700G/BY-PM700R is a USB condenser microphone, and compatible with Windows and Mac Computers. BOYA BY-PM700/BY-PM700G/BY-PM700R offers omni-directional, Cardioid, Stereo and bi-directional pickup modes, and suits for various situations, such as recording, interviews, conference calls, vocals, instruments, podcasting and more.

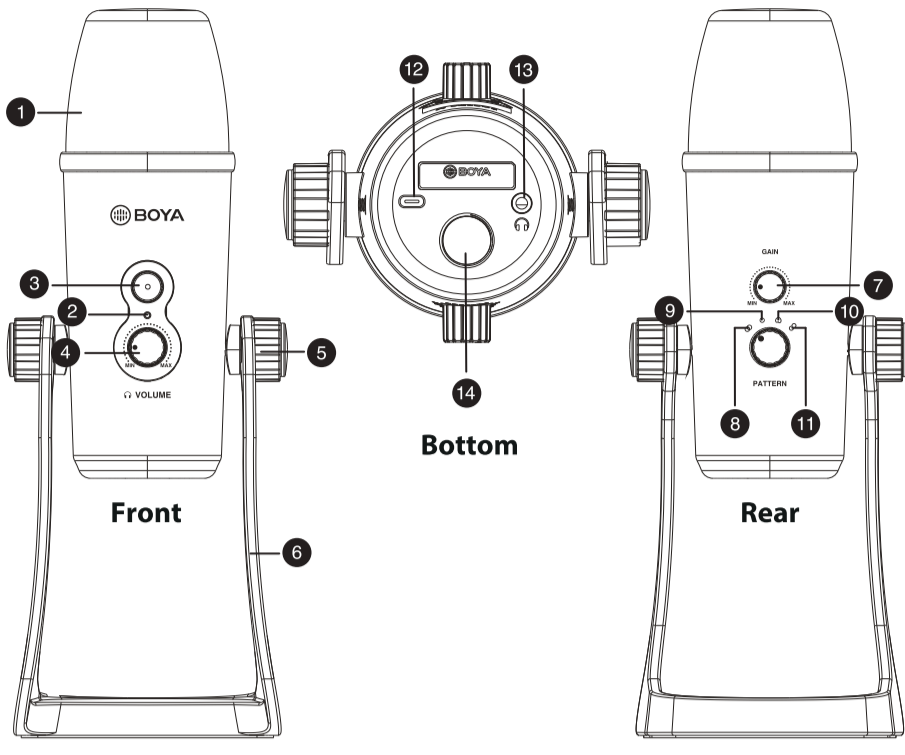
This mic can capture your audio in up to 16 bit/48 kHz resolution, and it features gain control, mute button, zero-latency headphone output.

It is all durable metal construction, includes desk stand that can adjust microphone in various desired angles, also functionality of folding the mic down for storage and transport as well.

Package Contents

- BY-PM700/BY-PM700G/BY-PM700R Microphone
- Type-C to Type-C Cable
- Type-C to USB-A Cable
- User Manual

Instructure



Introduction

1. Tri-Capsule Array
2. Power Indicator
3. Mute Button
4. Headphone Volume Control
5. Screws
6. Desk Stand
7. Microphone Gain
8. Stereo Pattern
9. Omnidirectional Pattern
10. Cardioid Pattern

11. Bi-directional Pattern
Pick up sound at the front and rear of the microphone, while sounds to the sides are not picked up, it fits for capturing instruments, or recording an interview between two people.

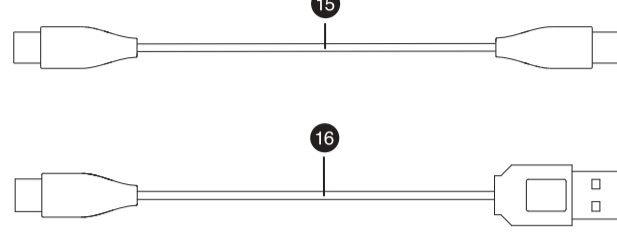
12. Type-C Connection

13. Headphone Output

14. 5/8" Screw

15. Type-C to Type-C Cable

16. Type-C to USB-A Cable



Features:

- Compatible with Windows and Mac Computers
- Tri-capsule Design
- Stereo, Cardioid, Omnidirectional, and Bi-directional Polar Patterns
- 16 Bit/48 kHz Resolution
- Muting Function
- 1/8" Headphone Monitoring Jack
- Latency-Free Monitoring
- Desktop Stand
- Durable All Metal Construction
- Type-C to USB-A Cable, and Type-C to Type-C Cable Included

Specifications:

Diaphragm:	14 mm (0.55")
Frequency Response:	20-20,000Hz
Sensitivity:	-45dB±3dB@1KHz
Power Consumption:	5V/150mA
Sample Rate:	48 kHz
Bit Depth:	16 / 24 Bit
Impedance:	16ohms
Power output(RMS):	130mW
Frequency Response:	15-20,000Hz
Connector:	1) Type-C 2) USB-A
Cable Length:	Type-C: 2m (6.5ft) USB-A: 3m (9.8ft)
Size:	112 x 108 x 200mm (4.4 x 3.8 x 7.9)"(Min) 112 x 108 x 295mm (4.4 x 3.8 x 11.6)"(Max)
Weight:	1042g (36.8oz)

How to use

1. Unlock the screws of both sides anticlockwise.
2. Adjust the microphone at your desired angle, then tighten the screws of both sides to fix the microphone.
3. Connect the microphone to your computer with the supplied cable.
4. Connect your headphone to the BY-PM700/BY-PM700G/BY-PM700R via the 3.5mm headphone output if needed.

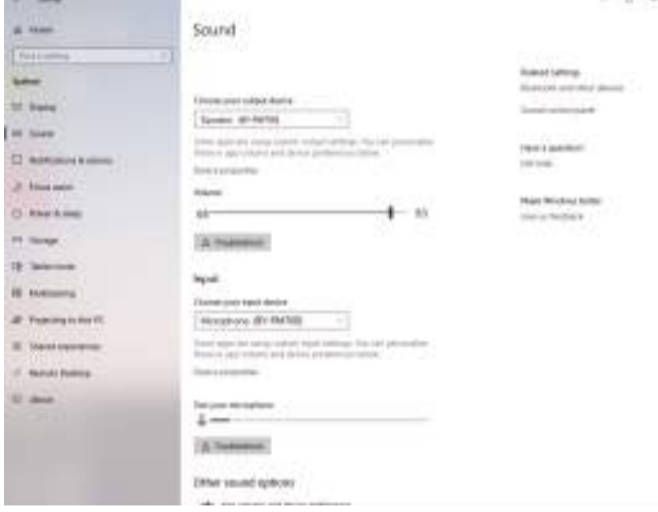
Set Up for Android devices

1. Use supplied Type-c cable and connect microphone.
2. Plug the Type-c connector into your Android device.
3. The indicator of microphone will stay green when open Video/recording APP from smartphone.
4. Start recording.

NOTE:
Not all Android devices support external microphone when taking video, and you may need to download a third-party app and set up sound source as external microphone.

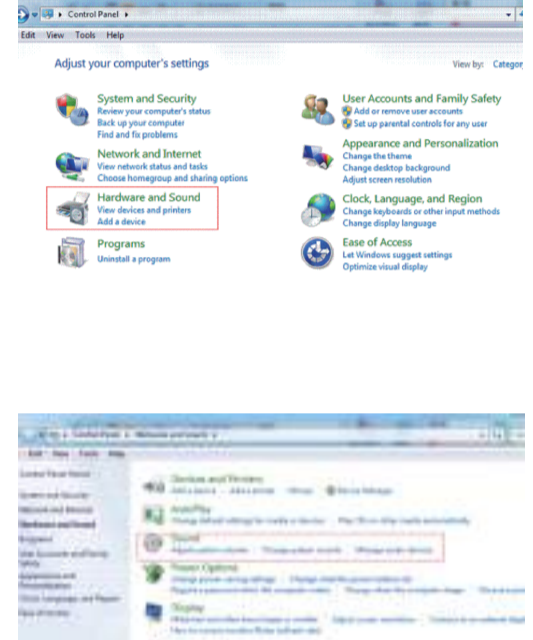
Set Up for Windows 10

1. Connect microphone with a USB port on your computer using the supplied Type-C to USB-A cable.
2. Go to "Setting", choose "Sound" as shown below.
3. Select "Speaker BY-PM700/BY-PM700G/BY-PM700R" as Output device.
4. Select "Microphone BY-PM700/BY-PM700G/BY-PM700R" as Input device.




Set Up for Windows 7

1. Connect microphone with your computer using the supplied Type-C to USB-A cable.
2. From the "Setting Menu", select the "Control Panel".
3. Go to "Control Panel", select "Hardware and Sound".
4. Select "Sound".




5. Select "Speaker BY-PM700/BY-PM700G/BY-PM700R" as the default device in the "Sound", under "Playback" menu.
6. Select "Microphone BY-PM700/BY-PM700G/BY-PM700R" as the default device in the "Sound", under "Recording" menu.




Setup for Apple System

1. Connect microphone to your computer using the supplied Type-C to USB-A cable.
2. Go to Apple Icon-->System Preferences-->Sound Icon.
3. Select "BY-PM700/BY-PM700G/BY-PM700R" under "Input" tab.



4. Select "BY-PM700/BY-PM700G/BY-PM700R" under "Output" tab.



IMPORTANT

- If you do not intend to use the conference microphone for a long period time, please remove cable.
- Do not touch the microphone while recording, as this will cause noise to be recorded.
- Do not let the microphone close to high-voltage equipment or to devices that emit strong electromagnetic fields, otherwise, it may cause the noise to be recorded.
- Do not use or leave the microphone in hot, humid places.

MAINTENANCE

- Do not operate the device with wet hands or feet.
- Clean the equipment only in the way described in the instructions for use.

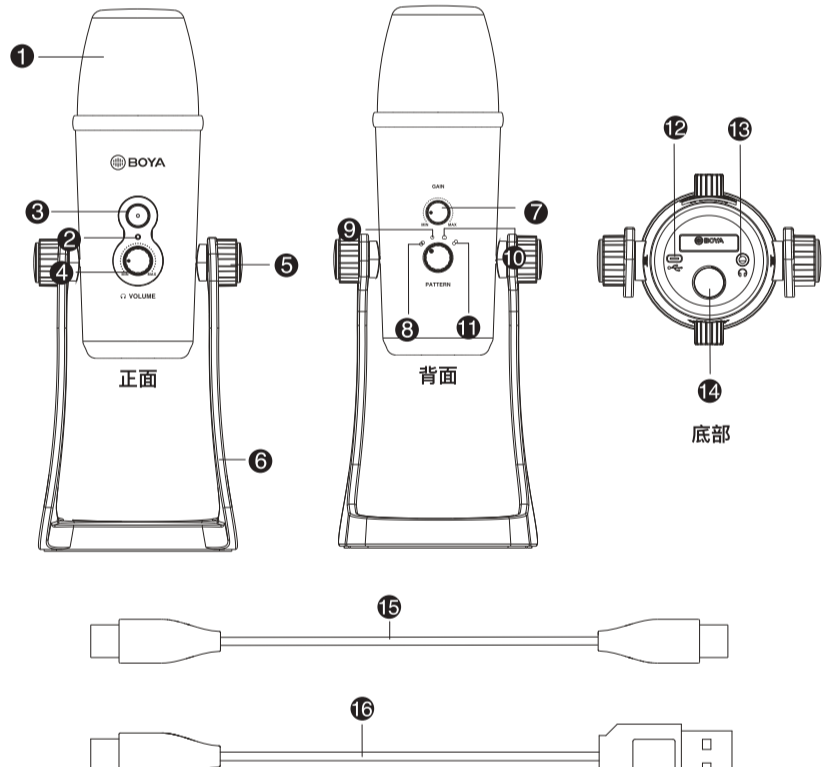
感谢您选择BOYA!

博雅BY-PM700/BY-PM700G/BY-PM700R是一款USB电容麦克风，兼容Windows/Mac电脑，拾音灵敏且拥有自由球头旋转、心动、立体声双声道录音模式，能在多种场合条件下使用，例如录音、采访、会议电话、声乐、弹唱乐器、博客等等。麦克风的有效频率能达到16位/48kHz的分辨率，并具有增益控制、静音按钮、实时监听的功能。麦克风全金属结构，包括麦克风支架在内，坚固耐用。支架能调整麦克风，也可将麦克风拆卸下来，便于存放及携带。

包装清单

- BY-PM700/BY-PM700G/BY-PM700R麦克风
- Type-C转Type-C转接线
- Type-C转USB-A转接线
- 用户手册

产品结构



1. 三声道阵列
2. 电源指示灯
3. 静音按钮
4. LED灯灯环--静音模式开启
5. 降噪降噪按钮
6. 增益按钮
7. 麦克风音量按钮
8. 立体声模式
9. 拾音自由前后方的声音，适用于捕捉真实混合声音。
10. 心动模式
11. 拾音自由前后方的声音，适用于捕捉真实混合声音。
12. Type-C接口
13. 耳机监听孔
14. 5/8"螺孔 (可插入支脚)
15. Type-C转Type-C转接线
16. Type-C转USB-A转接线

特点

- 兼容 Windows 和 Mac 电脑设备
- 三声道阵列设计 心动、心动、心动
- 双向定向、双向指向录音模式
- 16 Bit/48kHz 分辨率
- 静音功能
- 耳机监听孔
- 实时耳返
- 可搭配支架使用
- 全金属结构
- 兼容Type-C转Type-C和Type-C转USB-A转接线

参数

直径:	14mm(0.55")
频率响应:	20-20,000Hz
灵敏度:	-45dB±3dB@1KHz
功率消耗:	5V/150mA
采样率:	48kHz
位深:	16 / 24 Bit
阻抗:	16Ω
额定功率:	130mW
频率响应:	15-20,000Hz
接口类型:	Type-C接口
线材:	Type-C: 2m
尺寸:	112x108x200mm (最小) 112x108x295mm (最大)
重量:	1042g

使用方法

1. 将支架调整好的博雅麦克风指向方向定位。
2. 将麦克风架好后，再连接与智能手机/双向定向麦克风。
3. 将Type-C线插入手机接口，或将USB线插入电脑的USB接口。
4. 将耳机插入3.5mm耳机孔。

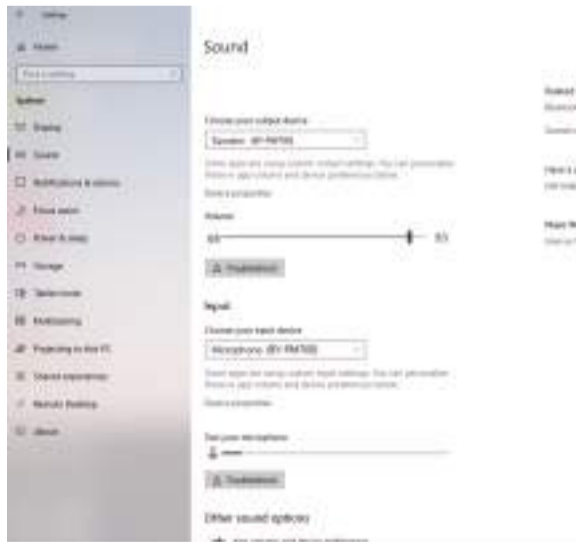
连接设备 (Android 设备)

1. 使用Type-C音频线连接麦克风。
2. 另一侧连接到Type-C安卓设备。
3. 打开视频/录音时，麦克风指示灯保持绿色。
4. 开始录音。

注意:
并非所有的安卓设备都支持外接麦克风拾音器，您可能需要下载第三方应用程序，设置成外接麦克风。


麦克风安装方法(Windows10 版本)

1. 使用配置Type-C转USB转接线，完成电脑与麦克风连接。
2. 在设置界面种，点击选择"声音"。
3. 选择扬声器BY-PM700/BY-PM700G/BY-PM700R作为输出设备。
4. 选择麦克风BY-PM700/BY-PM700G/BY-PM700R作为输入设备。




麦克风安装方法(Windows7 版本)

- 1.将USB线插入到电脑的USB接口，与麦克风连接。
- 2.在"开始菜单"里选择"控制面板"
- 3.点开"控制面板"选择"硬件和声音"
- 4.选择"声音"




5. 在"播放"选项中选择"扬声器 BY-PM700/BY-PM700G/BY-PM700R"为默认声音设备
6. 在"录制"选项中选择"麦克风 BY-PM700/BY-PM700G/BY-PM700R"为默认声音设备



苹果系统

1. 将USB线插入到电脑的USB接口，与麦克风连接。
2. 进入点击苹果界面种 - 系统设置 - 声音
3. 选择"BY-PM700/BY-PM700G/BY-PM700R"为输入设备。
4. 选择"BY-PM700/BY-PM700G/BY-PM700R"为输出设备。



重要事项

- 如果长时间不使用麦克风，请从USB线移除。
- 在录制时，请勿触摸麦克风，否则噪音也将被记录。
- 请勿将麦克风靠近高压设备，产生强大的电磁场，导致噪音也记录进去。
- 请勿将麦克风放置使用或潮湿的地方。

保养

- 操作设备时请保持手干燥清洁。
- 请按使用说明书的指示清洁设备。

www.boyamicro.com

SHENZHEN JIAYZ PHOTO INDUSTRIAL, LTD.
The BOYA logo is a trademark which is registered and owned by Shenzhen Jiayz Photo Industrial, Ltd.
深圳市长丰影像器材有限公司
地址: 广东省深圳市宝安区福永镇凤凰社区深田路1号101-103号
TEL: 400-6333096
Email: sales@boyamicro.com
www.boyamicro.com / www.jiayz.com

技术要求:

- 1、表面无色差
- 2、无正负公差
- 3、包装标注尺寸为内尺寸

受控文件
2021-11-25
长丰影像

长丰影像
2021-6-2
吴蒙蒙

JIAYZ长丰 深圳市长丰影像器材有限公司				
子件名称	BY-PM700/700G/700R说明书	版本	V01	
子件编号	1F0300300330	材质	80g书写纸 骑马钉 24p	
尺寸	140x140	比例	1:1	单位 mm
设计/日期	吴蒙蒙 2021-6-2	审核	暂无	核准/日期 赵宏亮