

品牌	BOYA	长丰型号	BY-MM1+
----	------	------	---------

修改名称	版本	变更内容	变更日期	变更担当
BY-MM1+说明书	V03	内容更新	2020-10-15	吴蒙蒙



BOYA

BY-MM1+
Super-cardioid Condenser Shotgun Microphone
超心型电容式麦克风

Instruction Manual
说明书

Instruction Manual

Thanks for choosing BOYA!

The BY-MM1+ is an upgraded super-cardioid condenser microphone that delivers lower noise and higher sensitivity sound on your smartphones, tablets, DSLRs, consumer camcorder, PCs and more.

Due to its plug and play operation and no battery required design, the BY-MM1+ is a perfect audio solution for mobile journalists, vloggers and video hobbyists.

The BY-MM1+ features a compact and rugged aluminium body, while it will not be a heavy burden when recording.

The 3.5mm headphone output lets users monitor and playback audio with compatible apps, so you can ensure the integrity of audio.

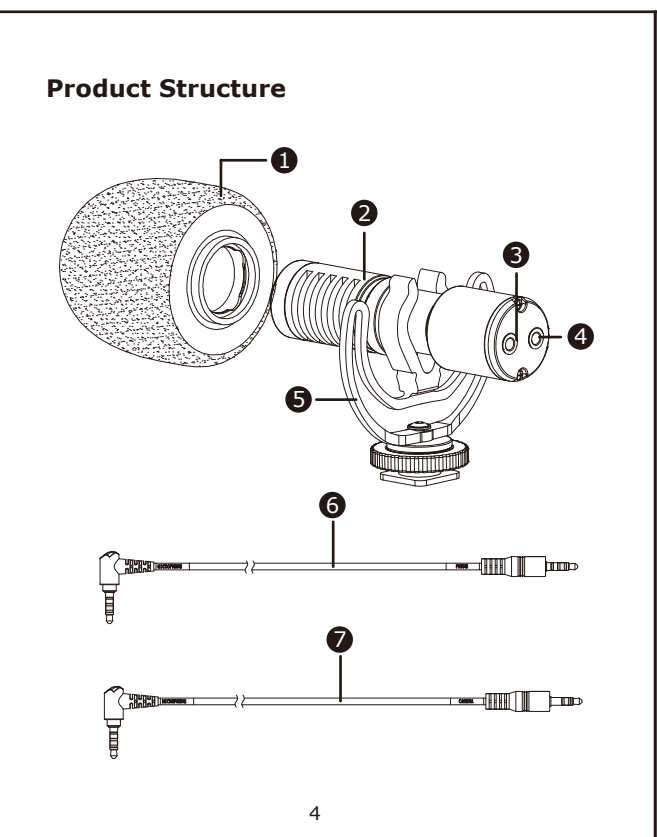
Included detachable Rycote® Lyre® shock mount provides a reliable and solid construction, effectively eliminating noise from vibrations and camera handling.

Features

- Compatible with smartphones, tablets, DSLRs, consumer camcorder, PCs and more
- Super-cardioid condenser shotgun microphone
- Improved sensitivity and signal to noise ratio
- Plug and play operation
- Durable metal construction
- 3.5mm headphone output
- Rycote® Lyre® shock mount and furry windshield included

Specifications


Transducer:	Electret Condenser
Polar Pattern:	Super-cardioid
Frequency Response:	20Hz-18kHz
Sensitivity:	-36dB±3dB (0dB=1V/Pa,1kHz)
Signal to Noise Ratio:	78dB
Plug:	3.5mm TRRS line-out 3.5mm TRS headphone output
Dimensions:	Φ26x100mm (Φ1x3.9")
Net Weight:	60g (2.1oz)




1. Furry windscreen
2. BY-MM1+ microphone
3. Audio output jack
4. 3.5mm headphone output
5. Rycote® Lyre® shock mount
6. 3.5mm TRRS to TRS output cable
7. 3.5mm TRRS to TRRS output cable

What's difference?

1) 3.5mm TRRS to TRS output cable
- For cameras, camcorders, audio recorders and other audio/video recording devices with audio monitoring jack.



2) 3.5mm TRRS to TRRS output cable
- For Smartphone, tablet or Mac.



1. Understand these instructions for use correctly

1.1 Marking on the device

This symbol indicates, that your device meets the safety requirements of all applicable EU-directives.

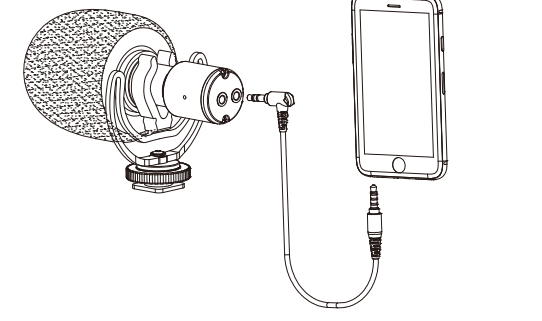
Waste disposal and protection of the environment.

Electric and electronic appliances as well as batteries must not be disposed of together with domestic waste. The user is legally obliged to return electric and electronic appliances as well as batteries to specially set up public collecting points or the sales outlet once they have reached the end of their service life. Details are regulated by national law. The symbol on the product, the instructions for use or the packaging refers to these provisions. The recycling, the material-sensitive recycling or any other form of recycling of waste equipment/batteries is an important contribution to the protection of our environment.

Attach the microphone to smartphone or tablet.

- Connect 3.5mm TRRS to TRRS output cable into your smartphone, tablet.
- Open the audio or video recording app and start recording.
- When finishing, plug the 3.5mm headphone output and playback the previous audio you recorded.

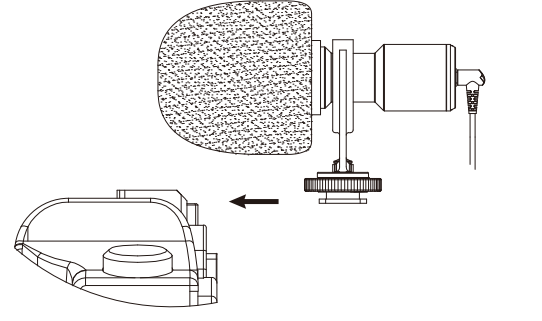
NOTE:
If you need to monitor the audio in playback mode, please make sure that you have turned on monitoring function on the audio app.



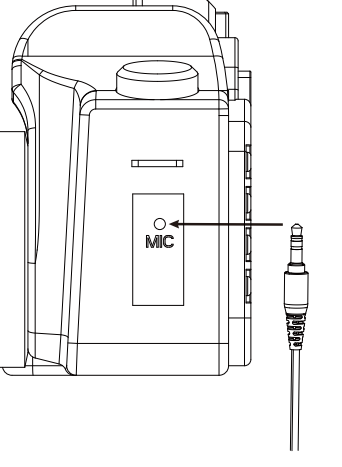
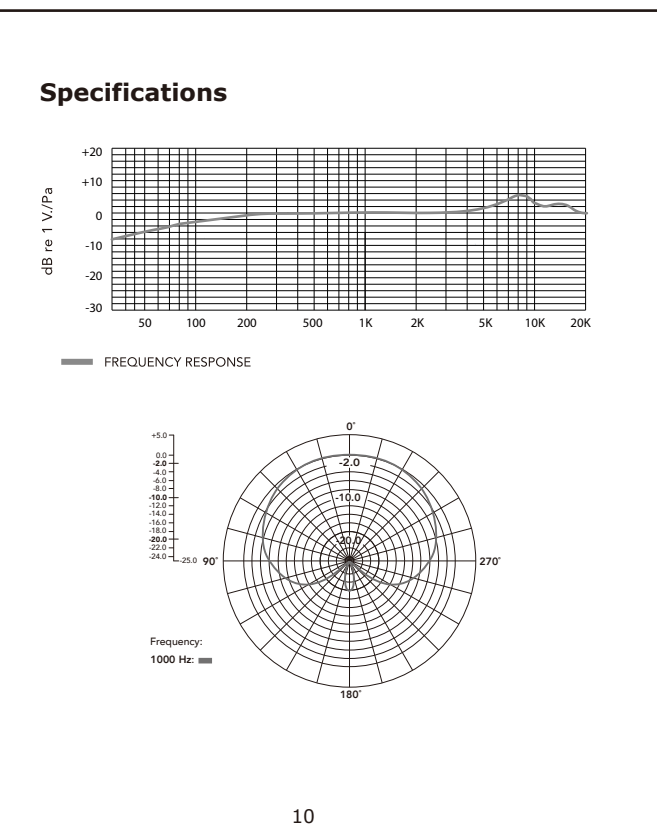
Attach the microphone to cameras, camcorders, audio recorders and other audio or video recording devices.

- Turn counter-clockwise to loosen the screw.
- Slide the microphone onto the camera's hot shoe.
- Turn clockwise to tighten the screw to stabilize on the shoe mount.

NOTE:
The headphone jack of BY-MM1+ cannot be used to monitor (playback/real-time monitoring is not supported) when connecting to camera, camcorder and recorder. If you need to monitor the audio just recorded, it requires your camera, camcorder and recorder have a built-in headphone jack.



1. Plug the 3.5 mm TRS connector into the audio output jack of your device.

Trouble shooting

If you have any problem using the BY-MM1+ components, use the following checklist. If any problem persist, please consult our local dealer, or contact us directly at sales@boya-mic.com.

Problem	Solution
The microphone can't work	Make sure that using the correct audio connector. 1) For smartphone, tablet or Mac, using 3.5mm TRRS to TRRS output cable. 2) For others devices, using 3.5mm TRRS to TRS output cable.
Too much ambience noise is being picked up	Make sure that the microphone is as close as possible to the subject. A certain amount of ambient noise is unavoidable in loud environments.
No sound monitor	Otherwise, the BY-MM1+ supports playback monitoring only.

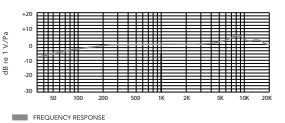
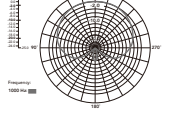
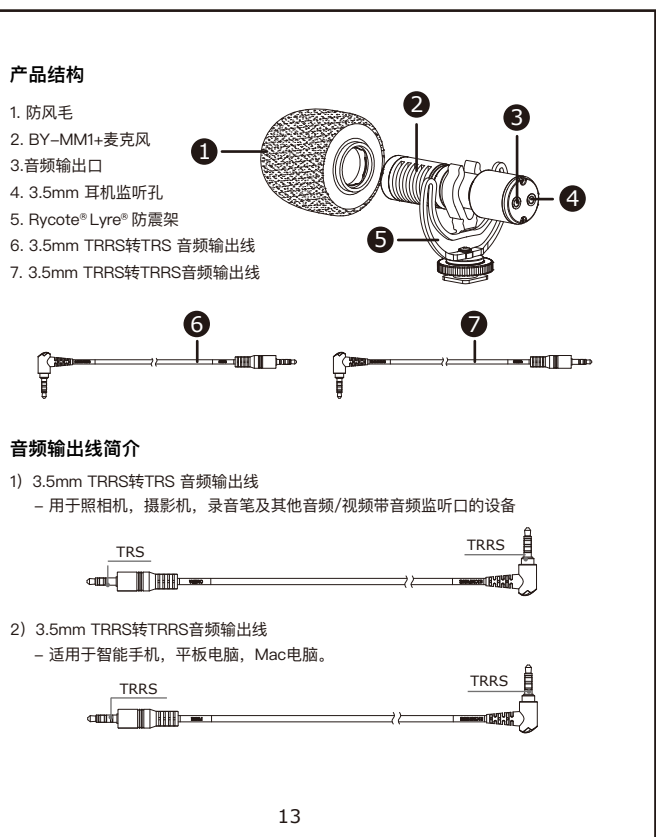
感谢您选择BOYA!
BY-MM1+超心型电容式麦克风, 为你的智能手机, 平板电脑, 数码单反, 摄像机, 个人电脑等设备, 收集低噪音和高灵敏度的声音。对于主播, 视频博主及其他拍摄人群而言, BY-MM1+即插即用无需电源的设计, 为他们提供了一个完美音频解决方案。BY-MM1+是紧凑和坚固的铝合金结构, 轻松外带进行录制。3.5mm耳机监听口设计, 让您以确保音频的输出质量。包装内含Rycote® Lyre®防震支架, 其稳固的结构能有效消除振动和操作时产生的噪音。

产品特点

- 可用于智能手机, 平板电脑, 数码单反, 摄像机, pc等
- 超心型电容式麦克风
- 高灵敏度和信噪比
- 即插即用操作
- 耐用金属结构
- 3.5mm耳机监听口
- 配备Rycote® Lyre® 防震支架和防风毛

参数

麦克风类型:	驻极体电容式
拾音模式:	超心型
频率响应:	20Hz-18kHz
灵敏度:	-36dB±3dB (0dB=1V/Pa,1kHz)
信噪比:	78dB
接口:	3.5mm TRRS线性输出 3.5mm TRS耳机监听孔
尺寸:	Φ26x100mm
重量:	60g (2.1oz)

将麦克风连接到智能手机或平板电脑上

- 连接3.5mm TRRS到TRRS音频输出线到您的智能手机, 平板电脑。
- 打开音频或视频录制app, 开始录制。
- 完成后, 插入3.5mm耳机监听孔, 可回放监听之前录制的音频。

注意: BY-MM1+产品只支持回放监听, 并且需配合专业的app打开“监听功能”开关才可进行监听。



将麦克风连接到相机, 摄像机, 录音笔, 其他音频或视频设备上

- 逆时针旋转, 松开螺丝。
- 把麦克风安装到摄像机热靴座上。
- 顺时针旋转, 拧紧螺丝, 使麦克风固定在热靴座上。



将3.5 mm TRRS音频输出端连接至设备的麦克风输入接口上。

注意: 连接相机, 摄像机, 录音笔, BY-MM1+监听孔无法使用(不支持回放/实时监听), 需接入相机, 摄像机, 录音笔自带的耳机监听孔才能进行监听。



问题	解决方案
麦克风无法正常工作	确保使用正确的音频连接器 1) 对于智能手机, 平板电脑, Mac电脑, 使用3.5mmTRRS到TRRS音频输出线。 2) 对于其他设备, 使用3.5mmTRRS到TRS音频输出线。
太多的环境噪音被拾取	确保麦克风可能靠近收录对象, 在嘈杂的环境中, 一定的环境噪音是不可避免的。
监听没声音	1) 连接相机, 摄像机, 录音笔, BY-MM1+监听孔无法使用(不支持回放/实时监听), 需接入相机, 摄像机, 录音笔自带的耳机孔。 2) 接入智能手机或平板使用, BY-MM1+产品只支持回放监听, 并且需配合专业的app打开“监听功能”开关才可进行监听。

重要安全信息

- 确保遵循所有安全注意事项
- 将这些说明保存在安全的地方。
- 如果您出售设备或将其传递给其他人, 您也应该传递这些使用说明。

在设备上标记

废物处理和环境保护

电气和电子设备以及电池不得与生活垃圾一起处理。用户在法律上有义务将电气和电子设备以及电池返回到专门设置的公共收集点或销售点, 一旦它们达到其使用寿命。

遵守国家法律法规。产品上的符号, 使用说明或包装是指这些规定。废物设备/电池的回收是对保护环境的重要贡献。

- 请勿用湿手操作设备。
- 仅按照维护手册中所述的方式进行清洁设备。
- 注意避免掉落设备。 确保设备已正确固定并可靠安装。如果设备已掉落, 请在熟练技术人员再次打开之前对其进行检查。
- 如果设备损坏或缺陷, 或者您发现有灼热的气味, 请立即取出电池。请勿在外壳损坏的情况下操作设备, 也不要自行维修设备。只有熟练的维修人员才能修理设备。

www.boya-mic.com

SHENZHEN JIAYZ PHOTO INDUSTRIAL, LTD.

The BOYA logo is a trademark which is registered and owned by Shenzhen Jiayz Photo Industrial, Ltd. COPY RIGHT 2010-2020 深圳市长丰影像器材有限公司

地址: 广东省深圳市龙华区观澜街道大富社区硅谷动力智能终端产业园A16栋
TEL: 400 6131096
Email: sales@boya-mic.com
www.boya-mic.com / www.jiayz.com

技术要求:

- 表面无色差
- 无正负公差
- 包装标注尺寸为内尺寸

受控文件
2020-10-19
长丰影像

长丰影像
2020-10-15
吴蒙蒙

JIAYZ长丰 深圳市长丰影像器材有限公司				
子件名称	BY-MM1+说明书	版本	V03	
子件编号	1F0300300303	材质	105g双铜纸 骑马钉 18p	
尺寸	90x110	比例	1:1	单位 mm
设计/日期	吴蒙蒙 2020-10-15	审核	暂无	核准/日期 赵宏亮