

| | |
|----|--------------------|
| 1 | 2 |
| 品牌 | BOYA 长丰型号 BY-BCA70 |

| | | | | |
|-------------|-----|------|----------|------|
| 7 | 8 | | | |
| 修改名称 | 版本 | 变更内容 | 变更日期 | 变更担当 |
| BY-BCA70说明书 | V01 | 内容更新 | 2020-6-5 | 吴蒙蒙 |
| | | | | |
| | | | | |



Instruction

Thanks for choosing BOYA!

The BOYA BY-BCA70 is a professional XLR audio adapter which is specially designed for increasing the convenient flexibility of your XLR microphone to most mobile devices. Included with three detachable audio cables:USB Type-C, lightning and USB-A, BY-BCA70 allow any XLR microphones to be compatible with PC, Andorid / iOS smartphones, tablets etc, ideal for home studio recording, podcast, vocal & instrument solo recording, ENG, interviews and more.

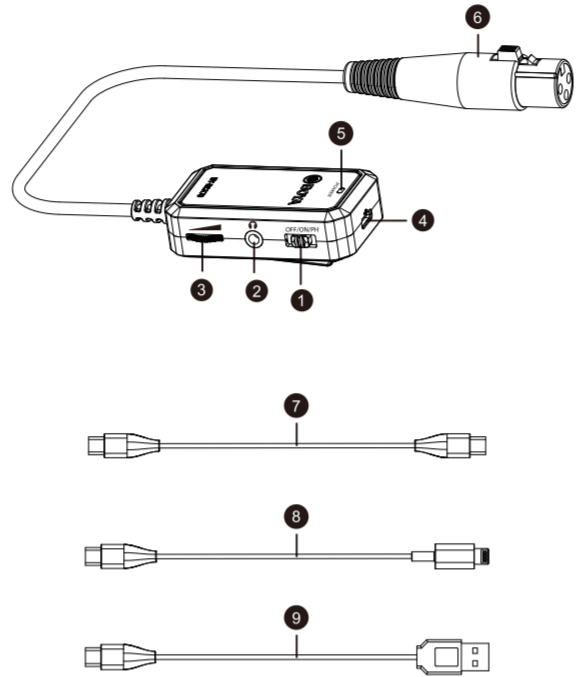
Features with up to 24bit/96kHz sampling rate, BY-BCA70 allows the recording files to be of high resolution and as crystal clear as possible.

Powered by smartphones or PC, BY-BCA70 could even support Phantom power to driven any XLR large diaphragm condenser mic, or shotgun mic that requires Phantom power.

With 0dB-30dB gain control available, users could easily adjust the microphone volume according to the recording environment.

With integrated 3.5mm no-latency headphone monitoring jack (depends on the recording App), users could well-monitoring the sound during or after recording.

Product Structure:



1. Power switch

- If the microphone requires Phantom power, turn the switch to PH.
- If the microphone is self-powered,turn the switch to ON.

2. Headphone monitoring jack

3. Volume gain control

4. USB Type-C output connector

5. Indicator light

- The indicator light will turn blue when the switch turns to ON.
- The indicator light will turn green when the switch turns to PH.

6. XLR input connector

7. USB Type-C to USB Type-C audio cable

8. USB Type-C to Lightning audio cable

9. USB Type-C to USB-A audio cable

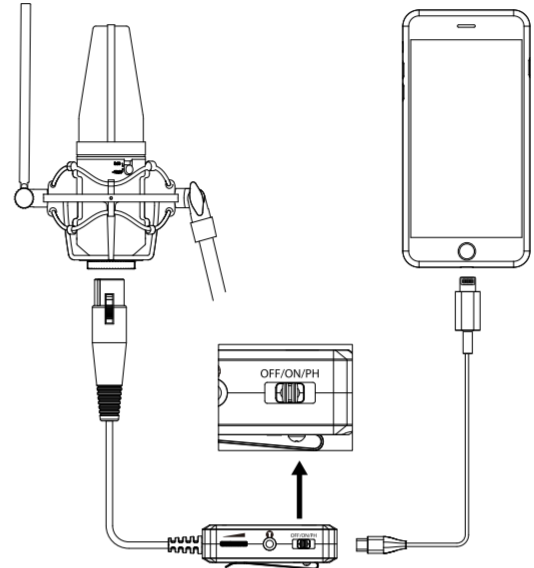
How to use?

1. Plug the XLR microphone into the BY-BCA70

2. Connect the BY-BCA70 to smartphone or computer

- Please follow the steps to complete BY-BCA70 and smartphone connection.

- 1) The BY-BCA70 is equipped with the Type-C connector, please choose the corresponding cable for your device's connection. (The Type-C to Lightning connector cable allows to plug directly into the iOS devices. And the Type-C to Type-C connector cable is designed for the Android devices)
- 2) A third-party audio APP needs to be downloaded before recording. Please plug the headphone into the audio monitoring jack when you need to monitor sound.

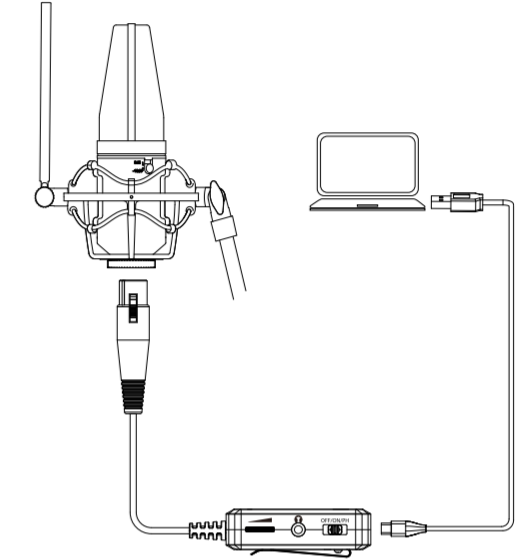


Note:

- If the microphone is Phantom power required, turn the BY-BCA70 switch to PH.
- If microphone is self-powered, turn the BY-BCA70 switch to ON.

- Please follow the steps to complete the connection between BY-BCA70 and the computer.

- 1) Please use the Type-C to USB-A cable to connect your computer. The Type-C connector makes a connection with the BY-BCA70. And the USB-A connector to makes a connection with the Mac or Windows PC.
- 2) A third party audio APP need to be downloaded on the PC before recording. Please plug the headphone into the audio monitoring jack when you need to monitor sound.



3. Input level adjustment

The BY-BCA70 volume control is on the right side by turning left and right to adjust the audio input level.

Trouble shooting

If you have any problem using the BY-BCA70 components, use the following checklist. If any problem persist, please consult our local dealer, or contact us directly at sales@boya-mic.com.

| Status | Cause | Measure |
|---------------------------------------|--|---|
| There is no sound. | The switch is turned incorrectly. The connector is not completely plug into the place. The headphone is not well connection with the jack. | Please check the microphone type. Turn the switch to ON when connecting to the self-powered microphone. Turn the switch to PH when connecting to the Phantom power required microphone. Please reconnect the audio connector. Please reconnect the headphone to the jack. Or check if the APP support no latency headphone monitoring, if not, pls play back to monitoring the sound. |
| The sound is weak | The input level of the microphone is low. | Adjust the volume gain control to the right to adjust the volume. |
| There is distortion in the sound. | Headphone with a mono min jack is used. | Use the headphone with a stereo mini jack. |
| Too much ambience is being picked up. | When using an omnidirectional microphone, the microphone may be picking up too much ambience. | Make sure that the microphone is as close as possible to the subject. |

Features

- Detachable USB Type-C, Lightning and USB Type-A audio cables included
- Connect any XLR microphones to PC and smartphones
- Powered by smartphones and PC
- 48V Phantom power available
- 24bit/ 96kHz sampling rate
- No latency headphone monitoring(Depends on App)
- 6 meters cable
- 0dB~30dB volume gain control

Specification:

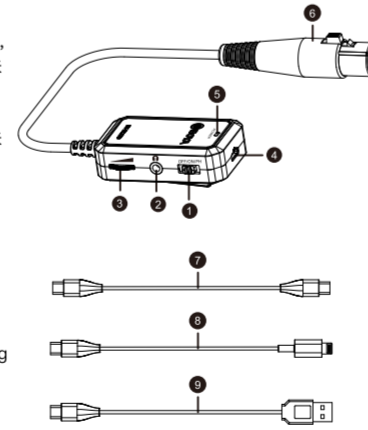
| | |
|----------------------|--|
| Frequency Response: | 30Hz-20kHz |
| Volume gain control: | 0dB~30dB |
| Sampling Frequency: | 44.1kHz/ 48kHz/ 96kHz |
| Bitrate: | 16bit/24bit |
| Power Supply: | Powered by iOS/ Android mobile devices/ PC |
| | Type-C to Lightning (MFI certified) |
| Output Connector: | Type-C to USB Type-C to Type-C |
| Weight: | 205g (7.2oz) |
| Cable length: | 6m (236") |

感谢您选择BOYA!

博雅BY-BCA70是一个专业的XLR音频适配器是专门为增加方便exibility of吗您的XLR麦克风到大多数移动设备。包含在三根可拆卸的音频线:USB Type-C, lightning和USB- a, BY-BCA70允许任何XLR麦克风与PC兼容, Andorid / iOS智能手机, 平板电脑等, 适合家庭工作室录音, 播客, 声乐和乐器独奏录音, 英文, 访谈和更多。功能与高达24位/96kHz采样率, BY-BCA70允许的记录less的高分辨率和possible。一样晶莹剔透BY-BCA70由智能手机或个人电脑驱动, 甚至可以支持幻影电源驱动任何XLR大型膜片电容麦克风, 或者需要幻影能量的散弹枪麦克风, 0dB~30dB增益控制, 用户可以轻松调整麦克风音量根据录音环境而定。集成3.5mm无延时耳机监控接口(取决于录制应用程序), 用户可以很好地监控录音中或录音后的声音。

产品结构

1. 电源开关
2. 耳机监听孔
3. 音量控制键
4. USB Type-C输出接口
5. 指示灯
6. XLR输入接口
7. USB Type-C转USB Type-C音频线
8. USB Type-C到Lightning (MFI认证)音频线
9. USB Type-C到USB-A音频线



使用方法

1. 将XLR麦克风插BY-BCA70

2. 将BY-BCA70连接到智能手机或电脑

- 请按照步骤完成BY-BCA70和智能手机连接。
- 1) 请用适合的音频线来连接你的手机。(USB Type-C转USB Type-C音频线适用于安卓手机, USB Type-C到Lightning 音频线适用于iOS设备) Type-C端口连接到BY-BCA70, USB端口连接到Mac或Windows电脑。
- 2) 在使用之前, 手机需要下载第三方音频APP录音。必要时, 可将耳机插入耳机监听孔进行监听。
- 请按照步骤完成BY-BCA70和电脑连接
- 1) 请用Type-C转USB-A音频转接线来连接你的电脑。 Type-C端口连接到BY-BCA70, USB端口连接到Mac或Windows电脑。
- 2) 在使用之前, 需要在电脑里下载第三方音频APP录音。必要时, 可将耳机插入耳机监听孔进行监听。
- 3. 调节音量大小
音量控制涡轮在BY-BCA70右侧, 通过转动涡轮来调节音频音量大小。

故障排除

如果您在使用BY-BCA70组件时遇到任何问题, 请使用以下检查表。如果有任何问题, 请咨询我们的当地经销商, 或直接通过 sales@boya-mic.com联系我们。

| 状态 | 原因 | 措施 |
|----------|---------------------------------|--|
| 没有声音 | 开关设置不正确 转接线没有完全接入 耳机没有连接上 | 请检查所用话筒的属性 (有源话筒拨到ON位置, 无源话筒拨到PH) 重新插接转接线 重新插接耳机 |
| 声音太小 | 设置的音量太小 | 调整音量调节开关, 目标是在整个信号路径中传输最高级别而不失真, 以获得最高信噪比 调整音量, 目标是在整个信号路径中传输最高级别而不失真, 以获得最高信噪比 |
| 声音失真 | 设置的音量不合适 使用了单声道的插头的耳机 | 使用立体声的插头的耳机 |
| 太多环境音被拾取 | 当使用的话筒为全向型麦克风时, 麦克风可能会拾取较多的环境音 | 确保麦克风尽可能靠近被拍摄的对象。 |

特点

- 可拆卸的USB Type-C, Lightning, USB接口音频线
- 实现任何XLR麦克风连接到电脑和智能手机
- 由手机/电脑设备供电
- 48V幻象电源可用
- 24bit/ 96kHz采样率
- 实时音频监听(取决于App是否支持实时监听)
- 6米电缆
- 0dB~30dB音量大小调控

参数

| | |
|---------|----------------------------|
| 频率响应: | 30Hz~20kHz |
| 声音增益: | 0dB~30dB |
| 采样率: | 44.1kHz/ 48kHz/ 96kHz |
| 比特率: | 16bit/24bit |
| 电源要求: | 由iOS/安卓/电脑设备供电 |
| 输出接口类型: | Type-C 转 Lightning (MFI认证) |
| | Type-C to USB |
| | Type-C to Type-C |
| 重量: | 205克 |
| 线长: | 6米 |

www.boya-mic.com

SHENZHEN JIAYZ PHOTO INDUSTRIAL, LTD.
The BOYA logo is a trademark which is registered and owned by Shenzhen Jiayz Photo Industrial, Ltd. COPY RIGHT 2010-2020
深圳市长丰影像器材有限公司
地址:深圳市观澜街道章阁大富路智能终端产业园A16栋
TEL: 400 6131096
Email: sales@boya-mic.com
www.boya-mic.com / www.jiayz.com

技术要求:

- 1、表面无色差
- 2、无正负公差
- 3、包装标注尺寸为内尺寸



JIAYZ 长丰 深圳市长丰影像器材有限公司

| | | | |
|-------|--------------|----|-----------------|
| 子件名称 | BY-BCA70说明书 | 版本 | V01 |
| 子件编号 | 1F0300300200 | 材质 | 105双铜纸 双面印刷 6折页 |
| 尺寸 | 90x130 | 比例 | 1:1 单位 mm |
| 设计/日期 | 吴蒙蒙 2020-6-5 | 审核 | 暂无 核准/日期 赵宏亮 |