

	1		2
品牌	BOYA	长丰型号	BY-BA30

	7		8	
修改名称	版本	变更内容	变更日期	变更担当
BY-BA30说明书	V02	增加物料二维码	2021-7-13	吴蒙蒙

www.boya-mic.com

SHENZHEN JIAYZ PHOTO INDUSTRIAL, LTD.

The BOYA logo is a trademark which is registered and owned by Shenzhen Jiayz Photo Industrial, Ltd.

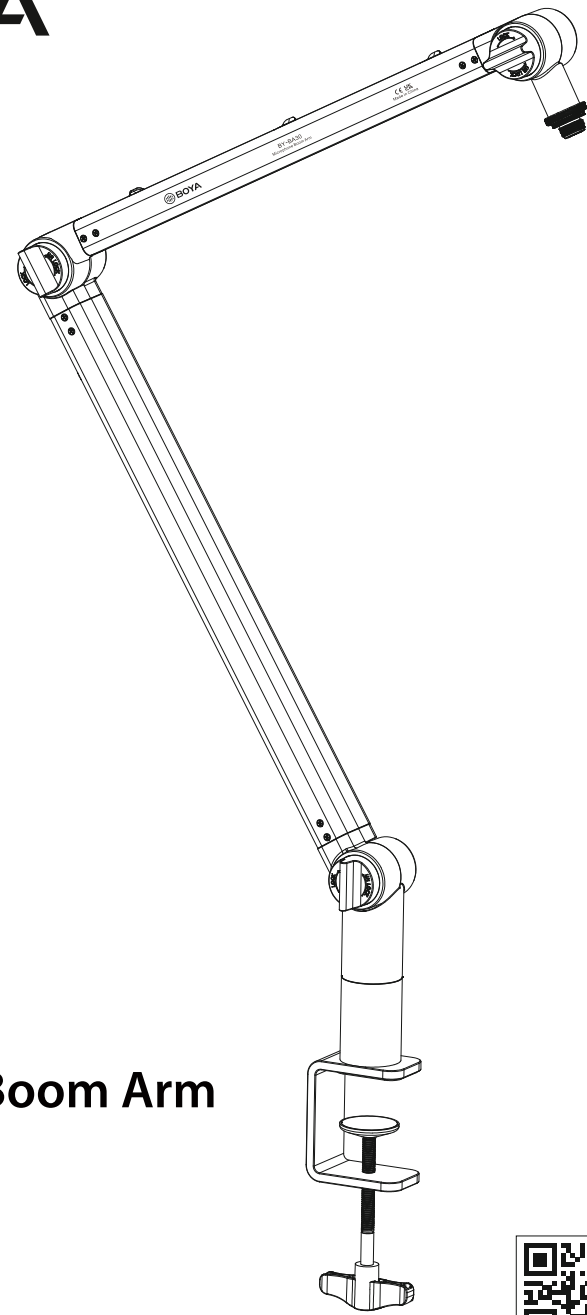
深圳市长丰影像器材有限公司

地址: 广东省深圳市龙华区观澜街道大富社区硅谷动力智能终端产业园A16栋

TEL: 400 6131096

Email: sales@boya-mic.com

www.boya-mic.com / www.jiayz.com



BY-BA30

Microphone Boom Arm

麦克风悬臂支架

INSTRUCTION MANUAL
使用说明

Thank you for purchasing BOYA!

The BY-BA30 is a microphone boom arm, giving users with experience improvements when using their microphone. It can provide a maximum arm reach of 17" (horizontal length) / 26" (vertical height).

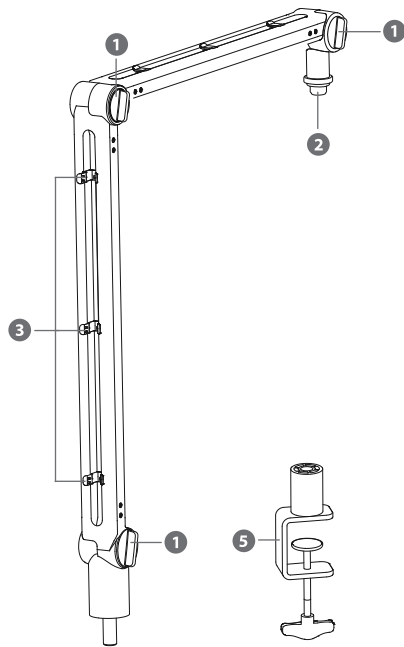
The boom arm can be attached to a desk via its C-clamp mount, which can offers a stable placement on desktop operation.

With its hidden-channel cable management, this boom arm is very ideal for broadcast applications like podcasting, live streaming, content creation and more. Also, it offers a 5/8" to 3/8" threading screw, so you can mount the specified microphone weighing up to 1kg (2.2 lb).

Product Structure:

产品结构:

- | | |
|-------------------------|-----------------|
| 1. Locking Knob | 1. 固定旋钮 |
| 2. 5/8" to 3/8" Adapter | 2. 5/8"转3/8"转接头 |
| 3. Cable Catch | 3. 线槽 |
| 4. C-Clamp Mount | 4. C型桌型夹 |



感谢您购买BOYA!

BY-BA30麦克风悬臂支架的特点是可折叠设计, 提供了最大水平430mm/垂直663mm长度。它通过C型桌型架安装连接到桌子或书桌上, 提供了最大的抓地力。由于它的内部弹簧和内置线槽, 悬臂支架理想的广播应用, 如播客, 直播, 视频内容制作。产品还配置了5/8"转3/8"的转接头, 可以安装2斤以内任意类型的麦克风。

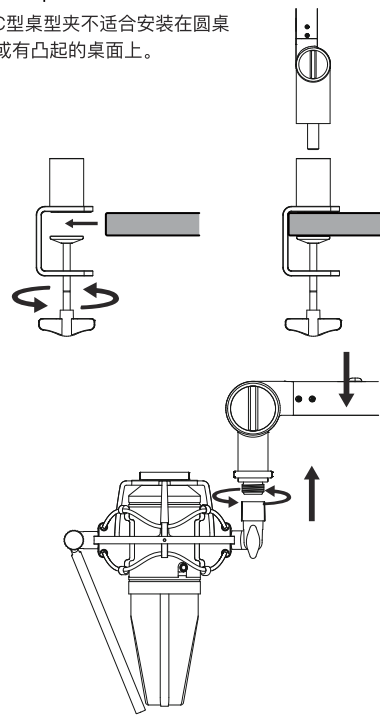
Quick Setup Guide:

快速安装操作:



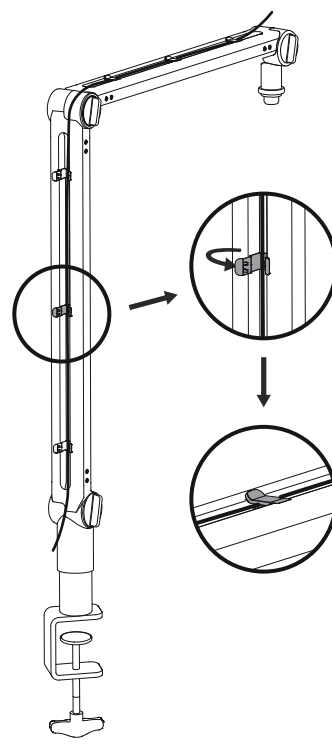
NOTE: Do not attach the clamp on the table with any bumps and hollows.

注意: C型桌型夹不适合安装在圆桌或有凸起的桌面上。



The microphone cable can be placed in the slot to keep neat and clean look while recording process.

在录制过程中, 可将麦克风配线收纳紧线槽。



Features:

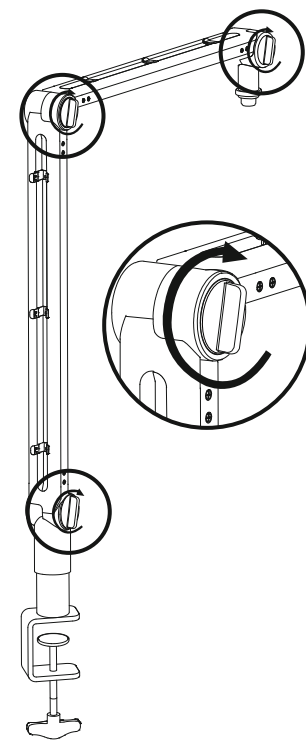
- Built-in Cable Catch Designed For Cable Management
- Durable C-Clamp Mount for Table Attachment
- Adjustable Hinge Controls
- Weighs up to 1kg (2.2lb)
- Designed for Professional Broadcast Microphone
- Includes 5/8" to 3/8" Threading Screw

Specifications:

Size:	Horizontal: 430mm (17")
	Vertical: 663mm (26")
Weight:	1364g (3lb)

Please adjust the angle of controls to the optimal position.

请根据您的录音角度调节悬臂角度。



特点:

- 内置线槽收纳设计, 便于线材管理
- 牢固C型桌型夹
- 角度调节旋钮
- 承载量可达1公斤
- 专为专业广播麦克风设计
- 配置5/8"转3/8"转接头

参数:

尺寸:	水平方向: 430mm
	垂直方向: 663mm
重量:	1364g

技术要求:

- 1、表面无色差
- 2、无正负公差
- 3、包装标注尺寸为内尺寸

受控文件
2021-7-15
长丰影像



JIAYZ 长丰 深圳市长丰影像器材有限公司

子件名称	BY-BA30说明书	版本	V02
子件编号	1F0300300334	材质	80g书写纸 双面印刷 2折页
尺寸	148.5x210	比例	1:1 单位 mm
设计/日期	吴蒙蒙 2021-7-13	审核	暂无 核准/日期 赵宏亮