




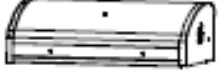
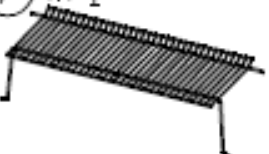




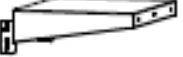


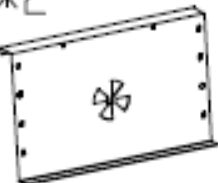





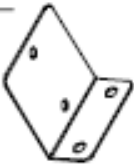
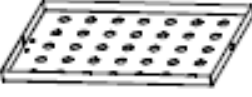


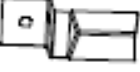













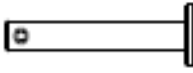
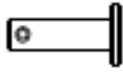
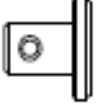



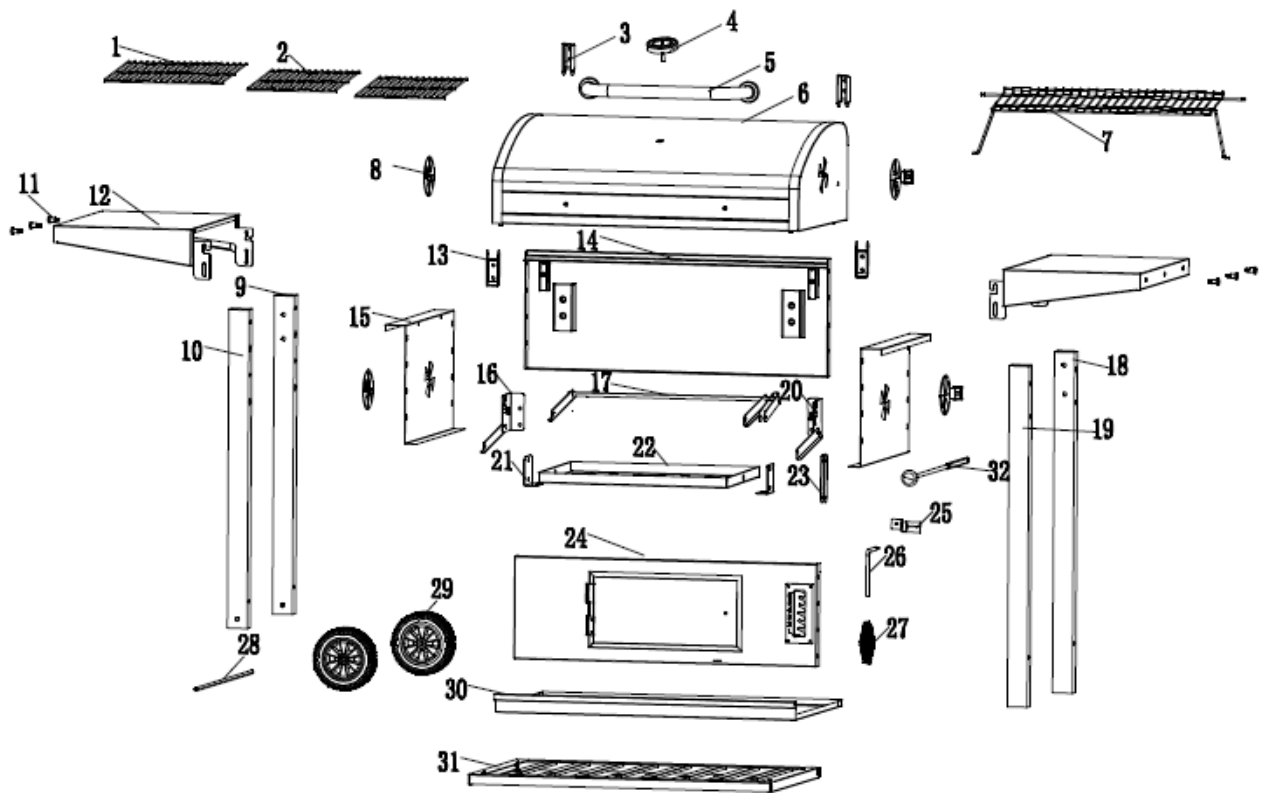


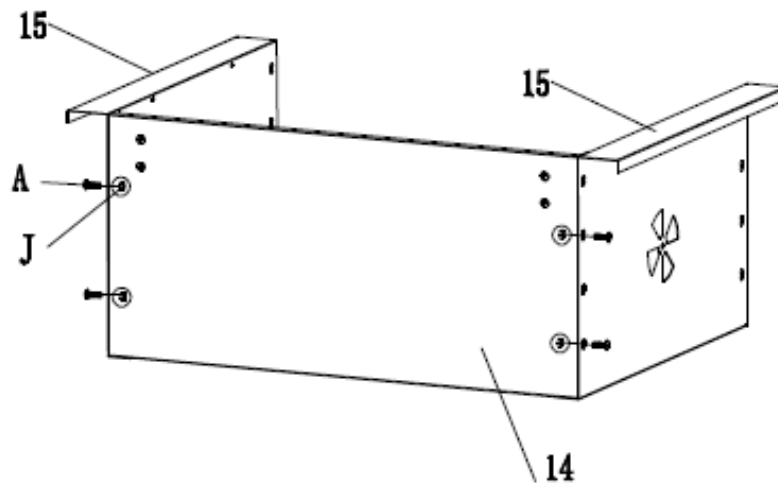
①*1 	②*2 	③*2 	④*1 
⑤*1 	⑥*1 	⑦*1 	⑧*4 
⑨*1 	⑩*1 	⑪*6 	⑫*2 
⑬*2 	⑭*1 	⑮*2 	⑯*1 
⑰*1 	⑱*1 	⑲*1 	⑳*1 
㉑*2 	㉒*1 	㉓*1 	㉔*1 
㉕*1 	㉖*1 	㉗*1 	㉘*1 
㉙*2 	㉚*1 	㉛ 	㉜*1 

A M6-12 *29 	B M6-60 *4 	C M6-40 *8 	D *11 
E *2 	F M6-25 *2 	G *2 	H *3 
I *4 	J *20 	K *1 	L *8 



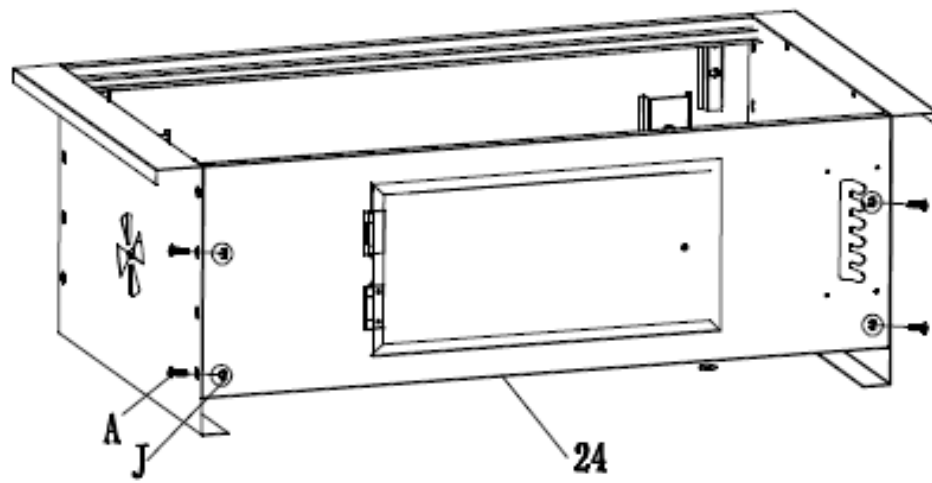
1

A (M6 x 12) = 4x
J = 4x



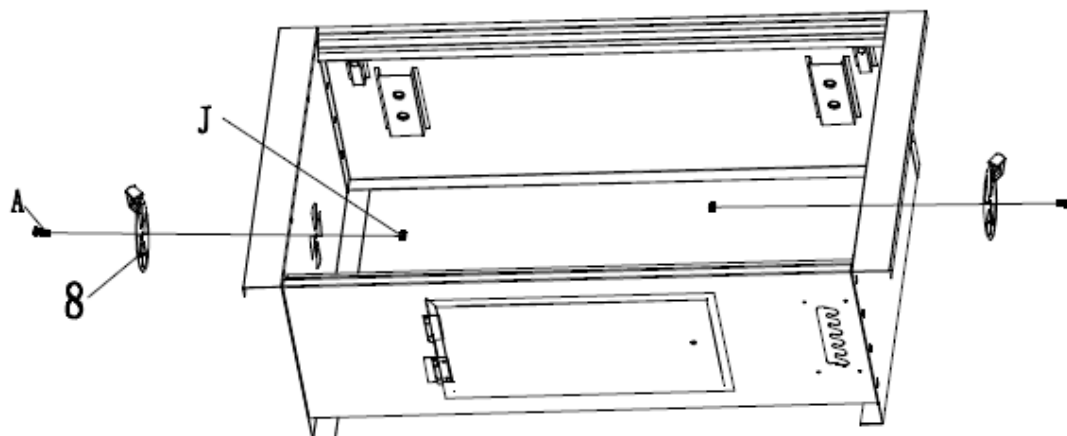
2

A (M6x12) = 4x
J = 4x

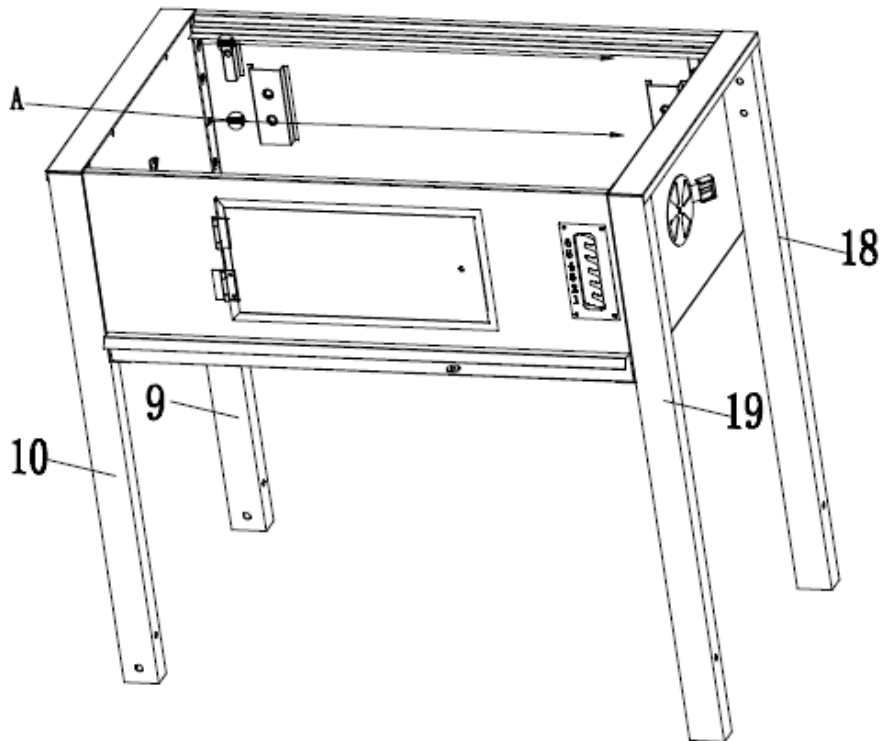


3

A (M6x12) = 2x
J = 2x

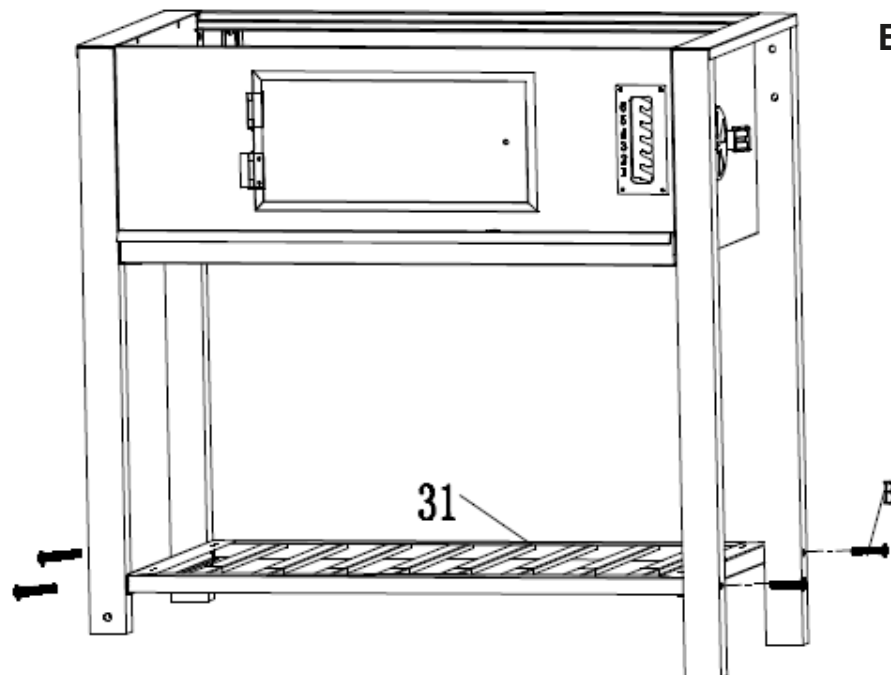


4



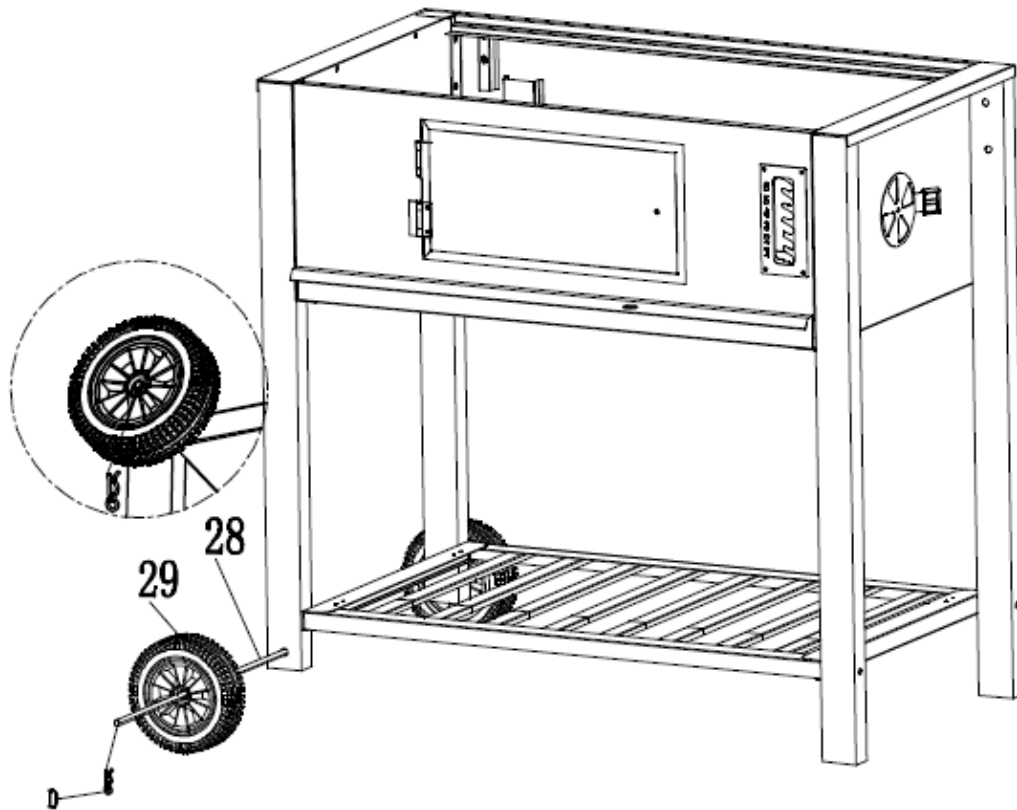
A (M6x12) = 8x

5



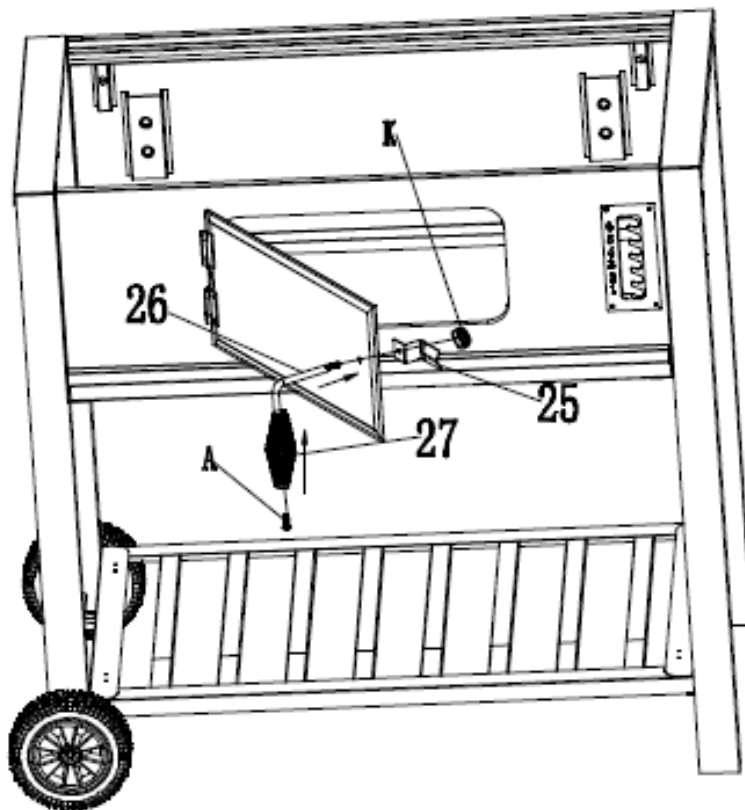
B (M6x60) = 4x

6



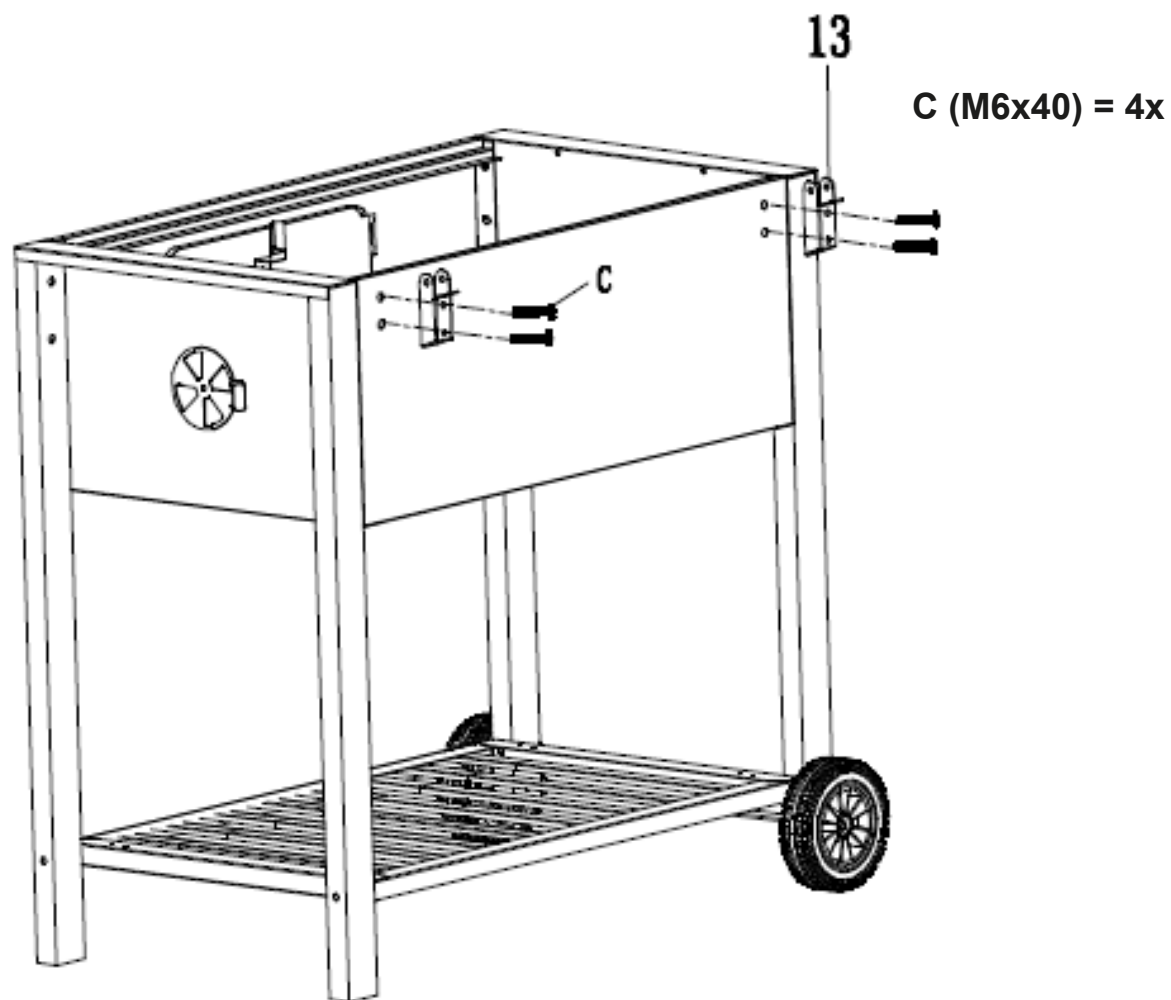
D = 2x

7

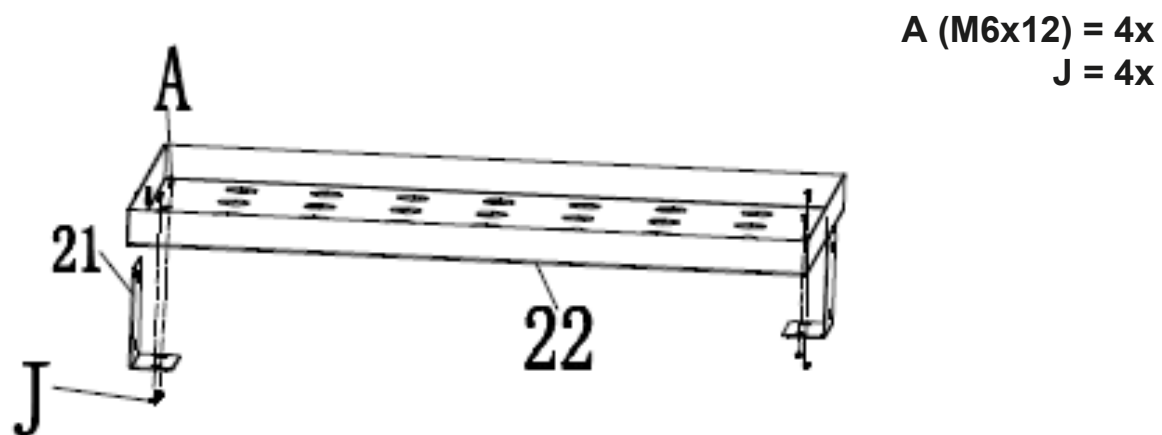


A (M6x12) = 1x
K = 1x

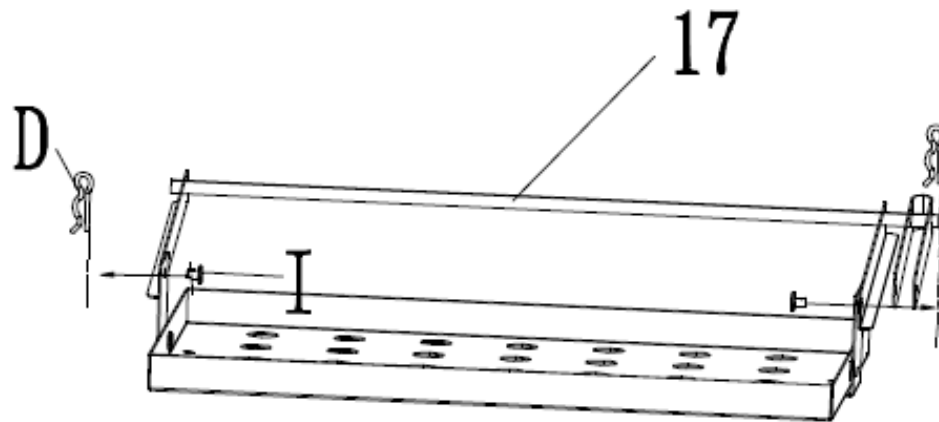
8



9

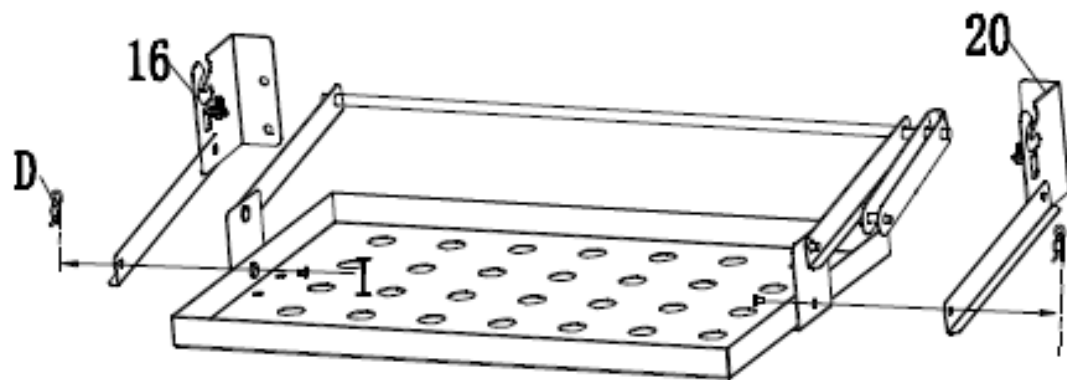


10



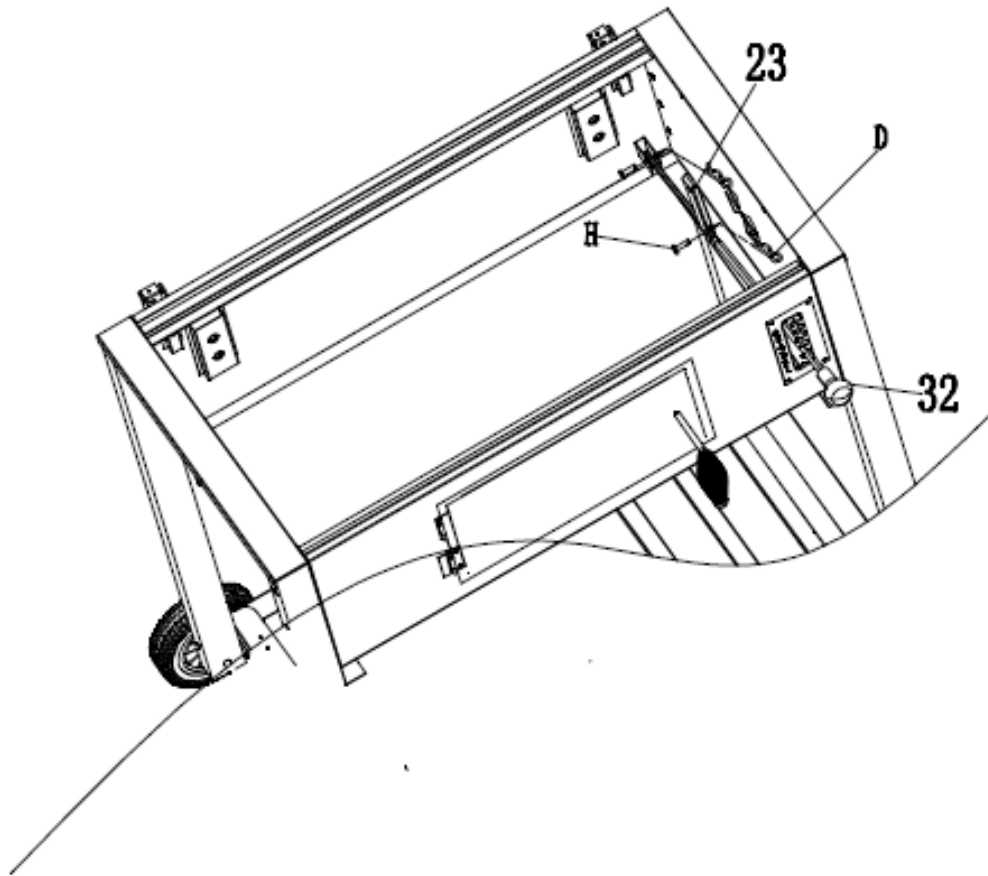
D = 2x
I = 2x

11



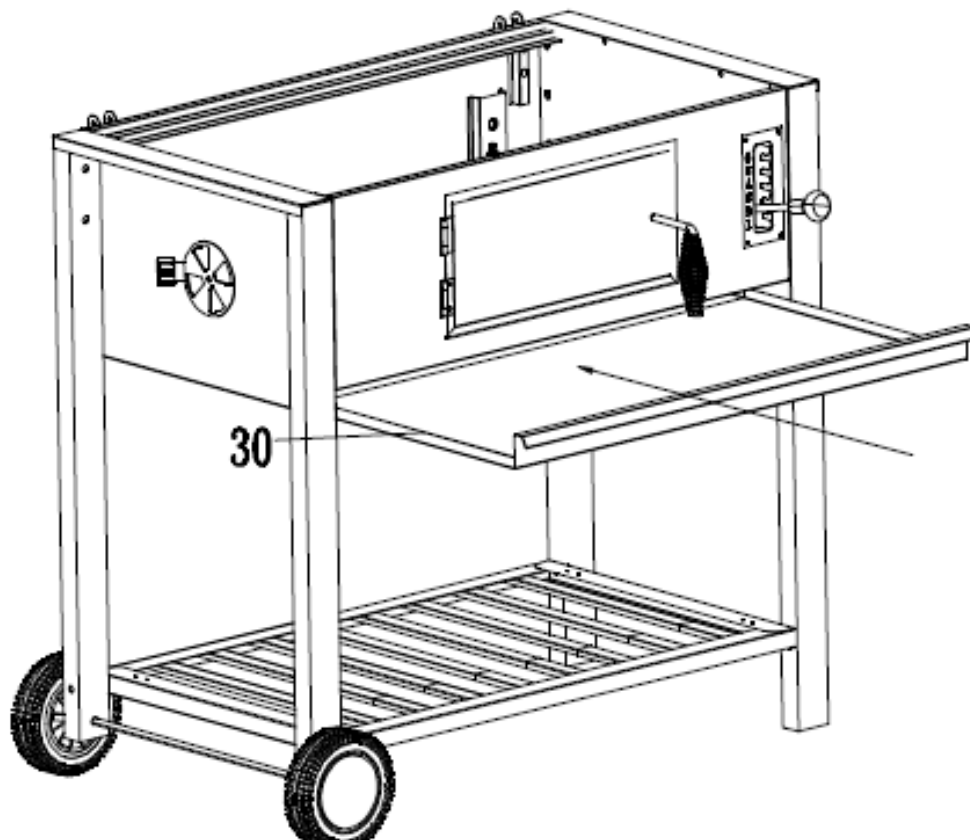
D = 2x
I = 2x

12



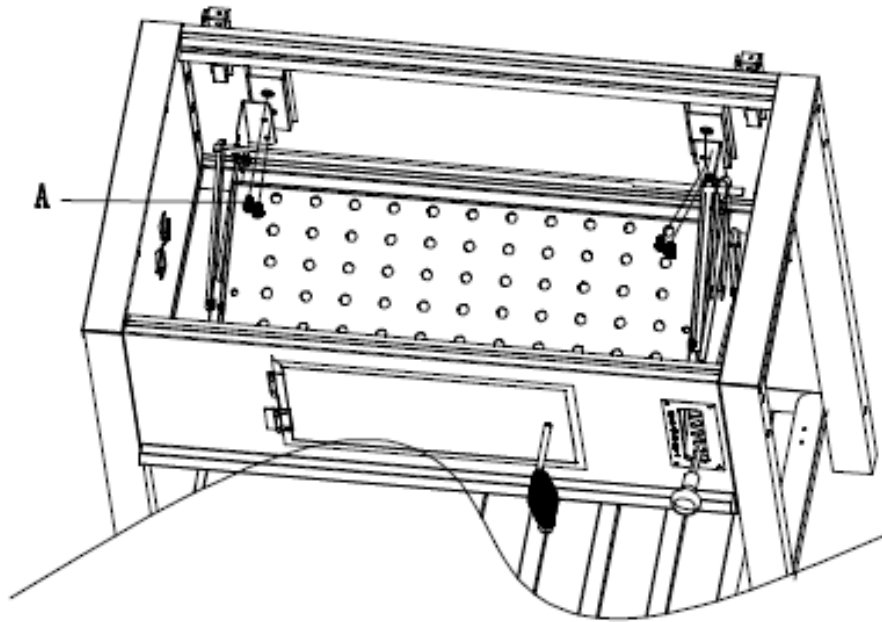
D = 2x
H = 2x

13



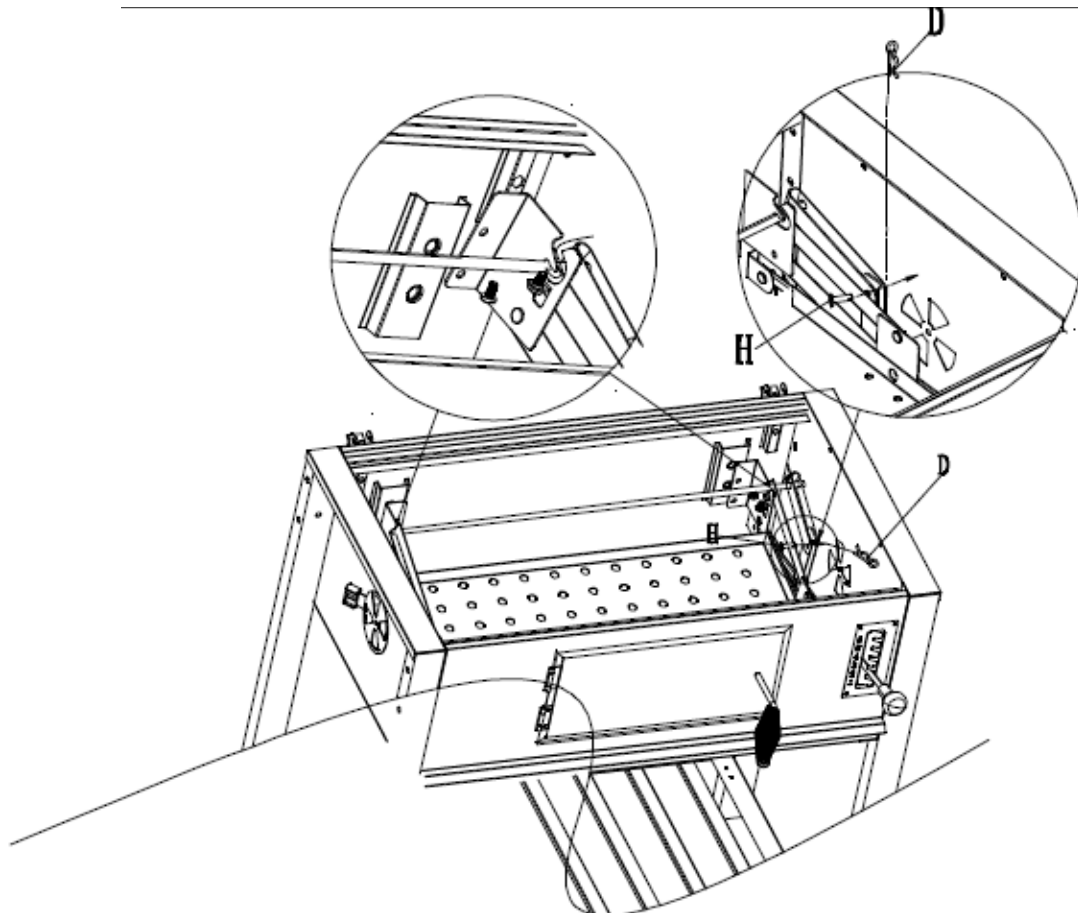
14

A (M6x12) = 4x

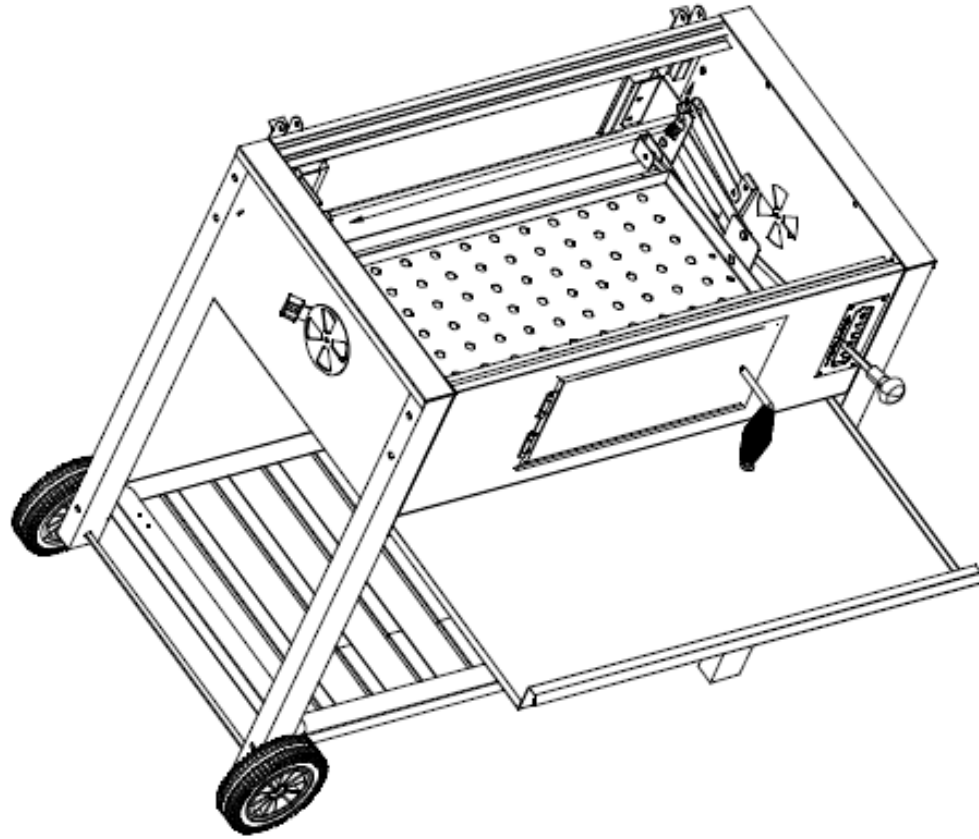


15

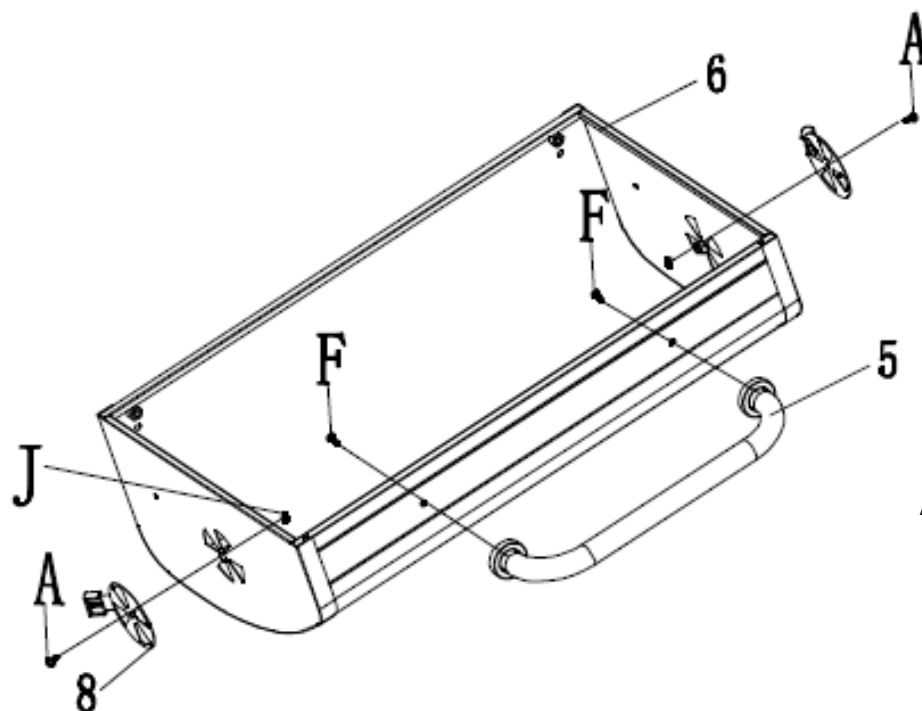
D = 1x
H = 1x



16

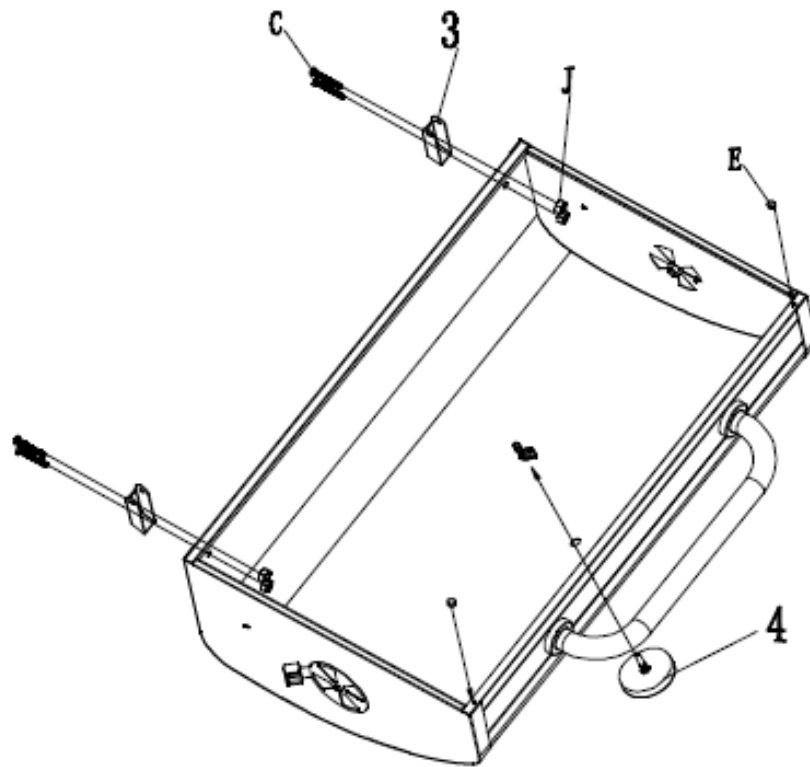


17



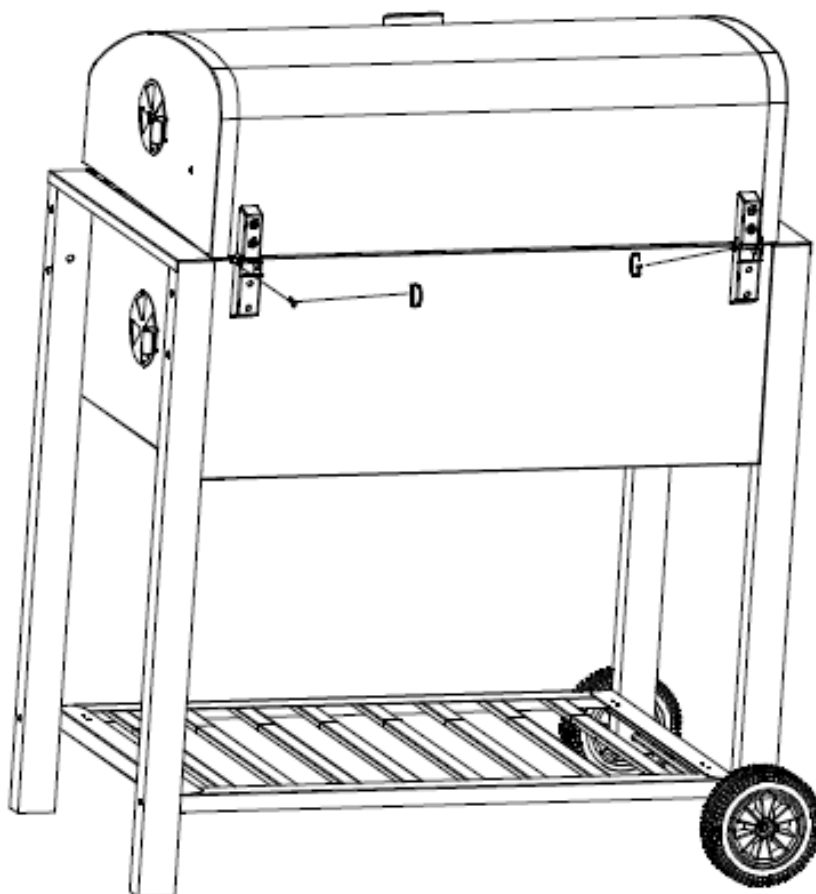
A (M6x12) = 2x
F (M6x25) = 2x
J = 2x

18



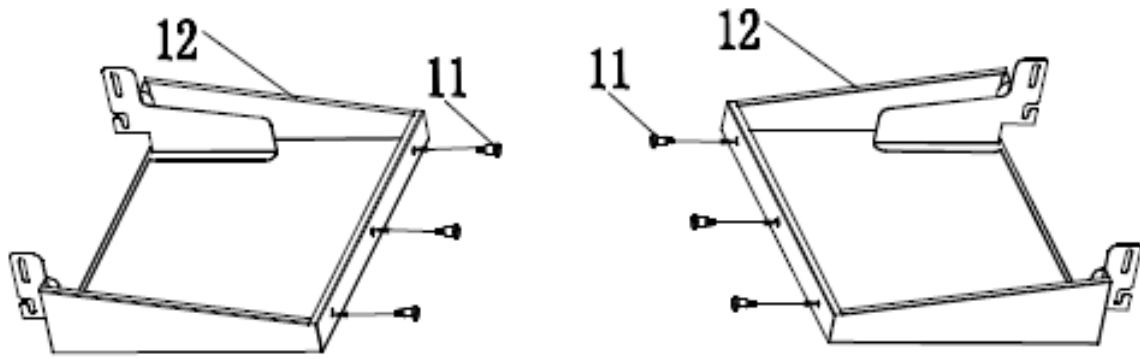
E = 2x
C (M6x40) = 4x
J = 4x

19

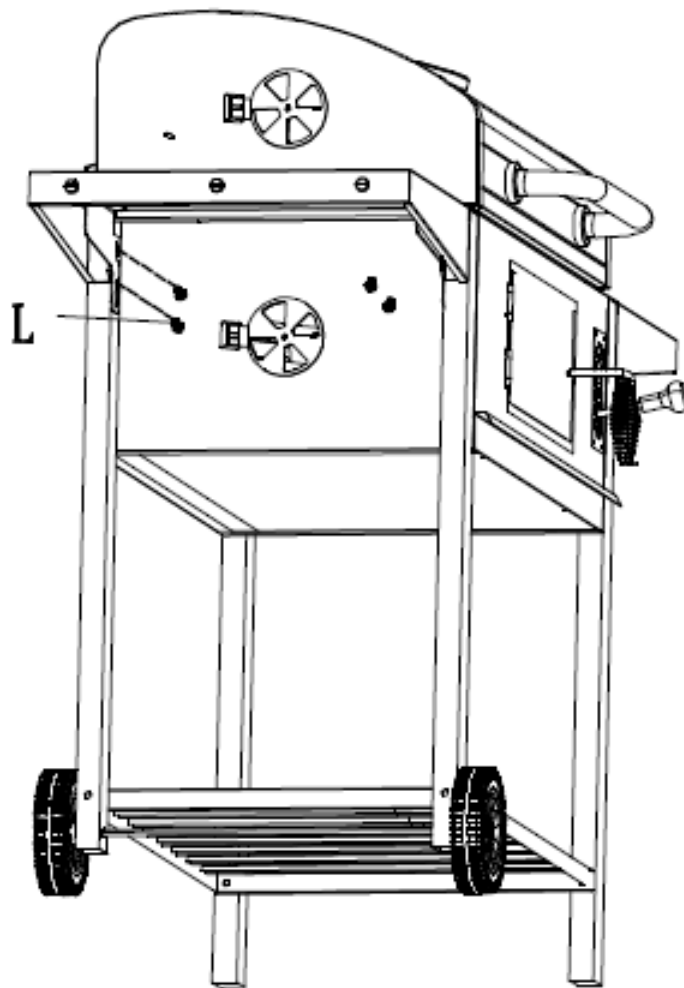


D = 2x
G = 2x

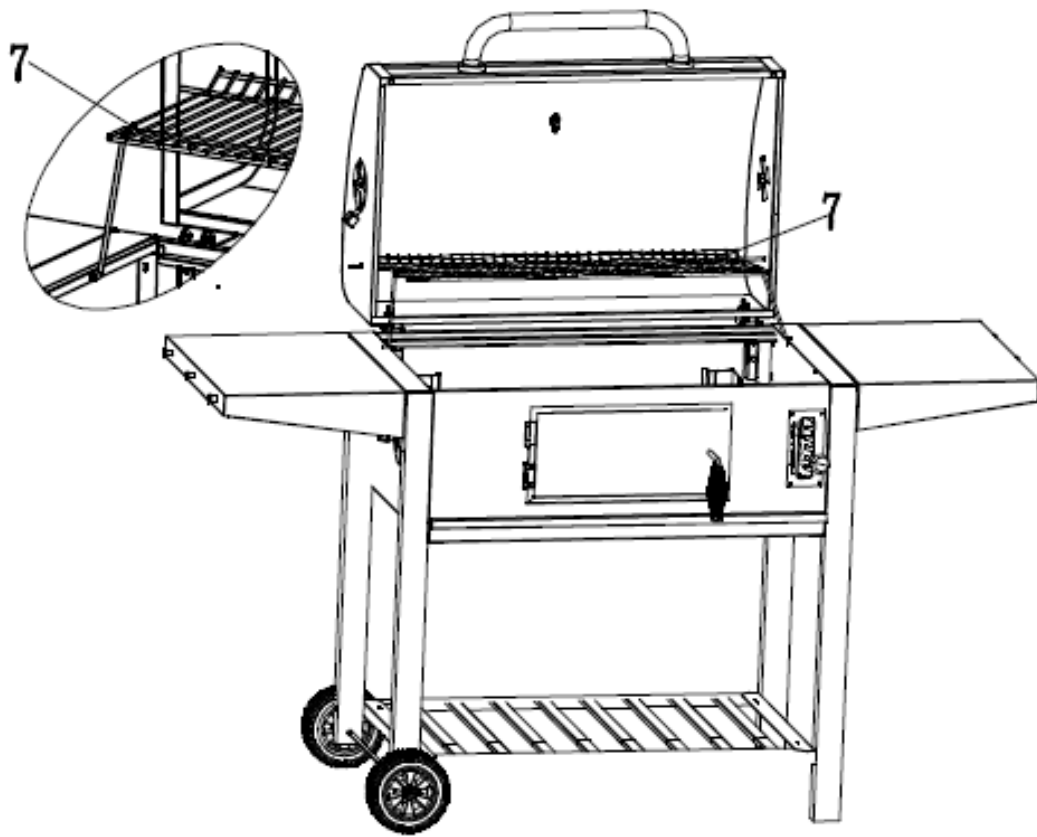
20



21



22



23

