

INSTALLATION GUIDE

The Plateau Cat Tree



CATASTROPHIC
CREATIONS

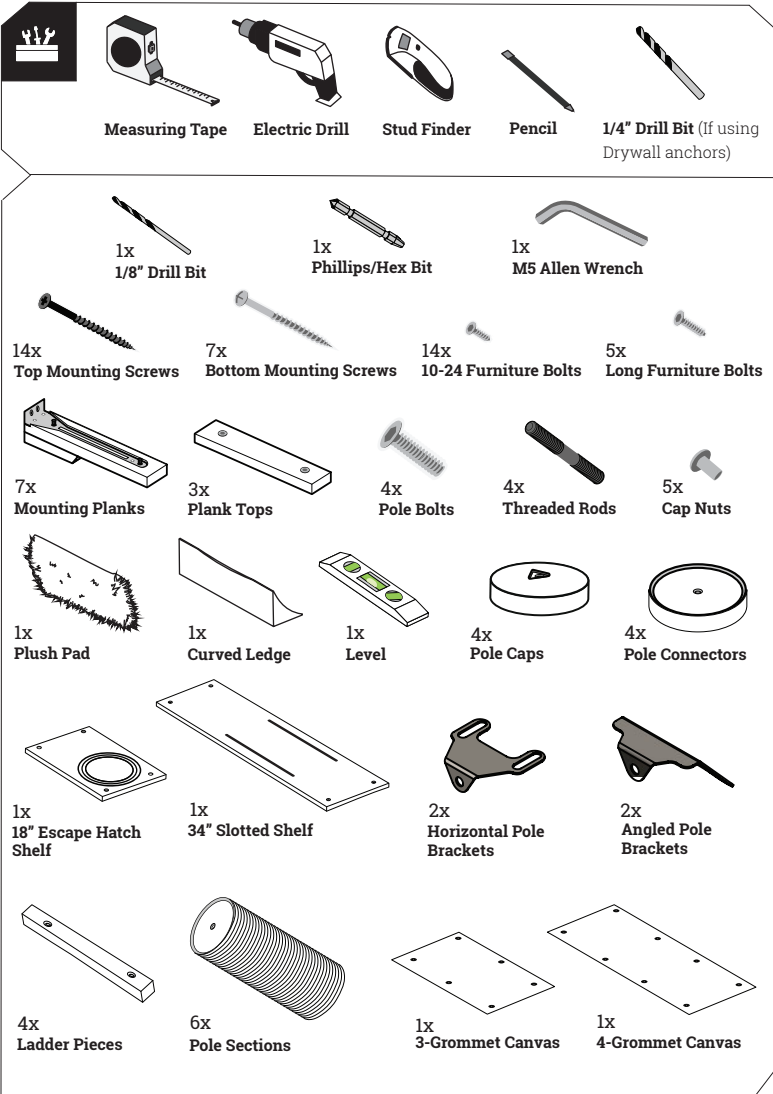
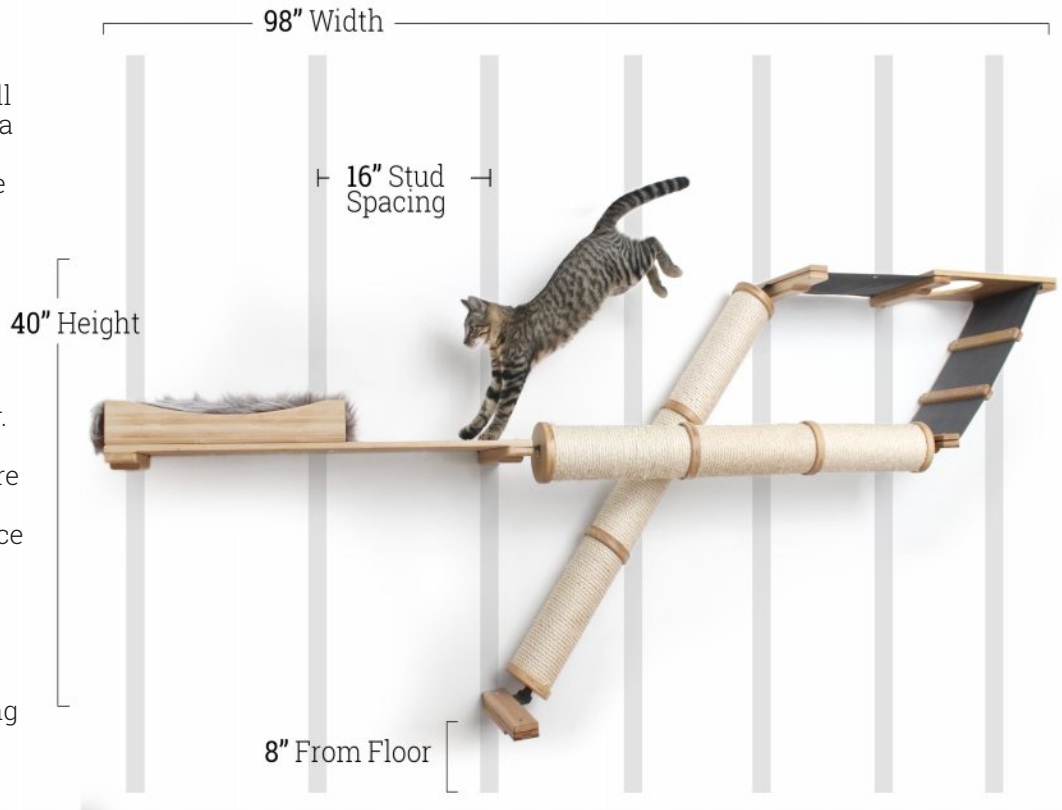
The Plateau Cat Tree

✓ Choosing the Best Room

When deciding on a room to install your cat's new furniture, consider a room they already frequent or where people gather. Most cats are social and prefer rooms like bedrooms and living rooms.

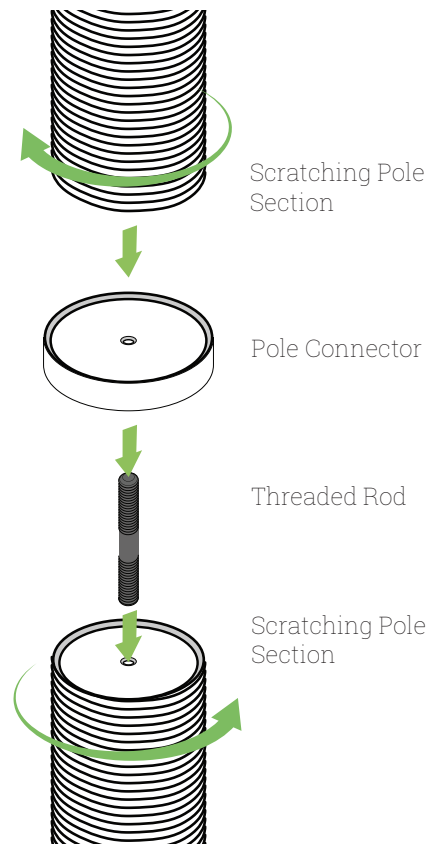
✓ Quick Tips

- Designed to be mounted along 7 studs spaced at 16" apart on center.
- When installing hammocks, be sure to tighten the fabric down tight enough that it is firmly held in place to prevent grommets from ripping out.
- Be sure to fully tighten Scratching Pole sections together. Loose pole sections can result in them rotating once cats climb on the poles.



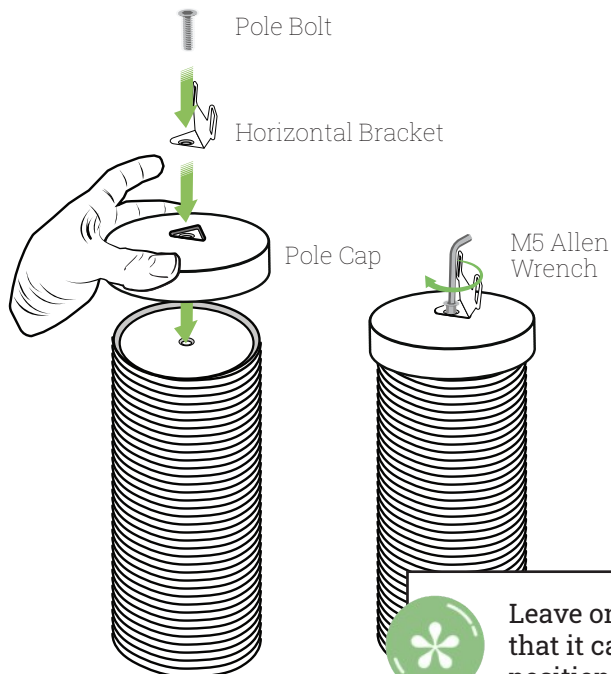
1

Assemble each **Pole Section** by screwing them together on a **Threaded Rod** with a **Pole Connector** sandwiched between each section. Be sure to tighten each section until firm, but do not over-tighten or it can pull threaded inserts from the plastic caps



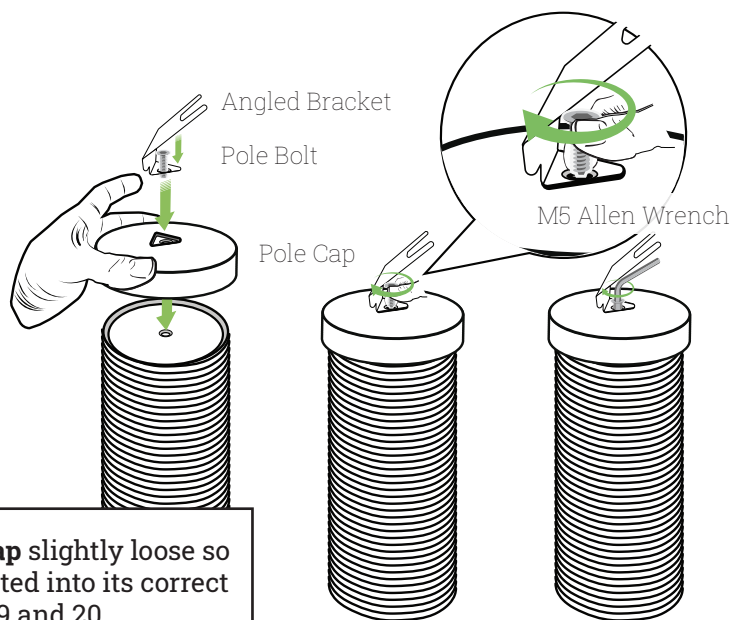
2 Horizontal Pole

Cover one end of the Scratching Pole with a **Pole Cap**. Set the **Horizontal Bracket** in the inset and screw a **Pole Bolt** down through both pieces using the **M5 Allen Wrench**. Repeat for the other **Pole Cap***



3 Angled Pole

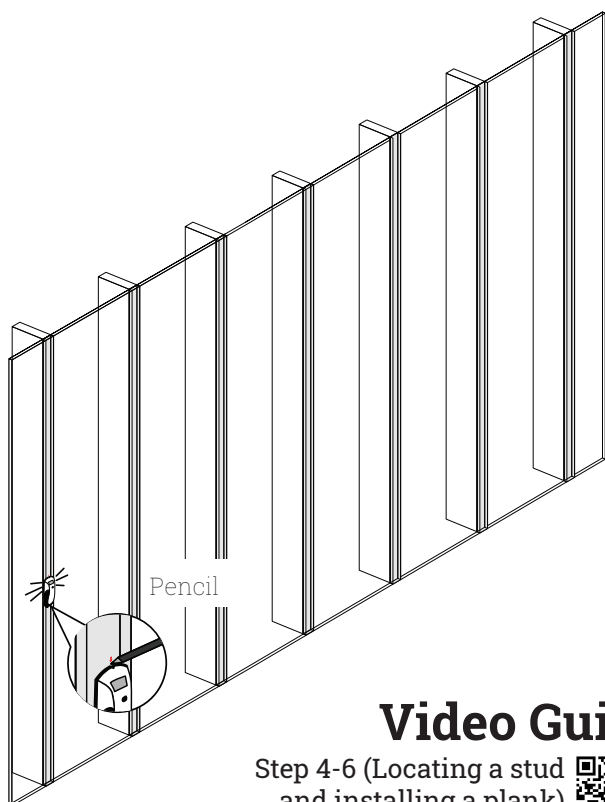
Cover one end of the Scratching Pole with a **Pole Cap**. Set the **Angled Bracket** in the inset. Begin twisting the **Pole Bolt** by hand, then tighten it the rest of the way using the **M5 Allen Wrench**. Repeat for the other **Pole Cap***



Leave one **Pole Cap** slightly loose so that it can be rotated into its correct position in Steps 9 and 20.

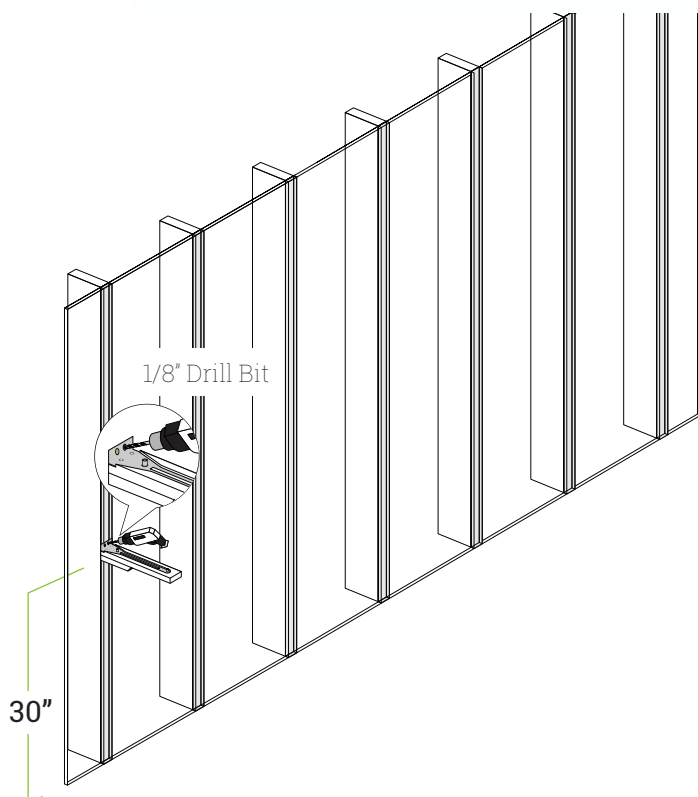
4

Locate your studs using a **Stud Finder**. Mark their locations with a pencil or painter's tape.



5

Start with the furthest left stud and center a **Plank Bottom** 30" above the floor. Pre-drill two top bracket holes using the **1/8" Drill Bit**.



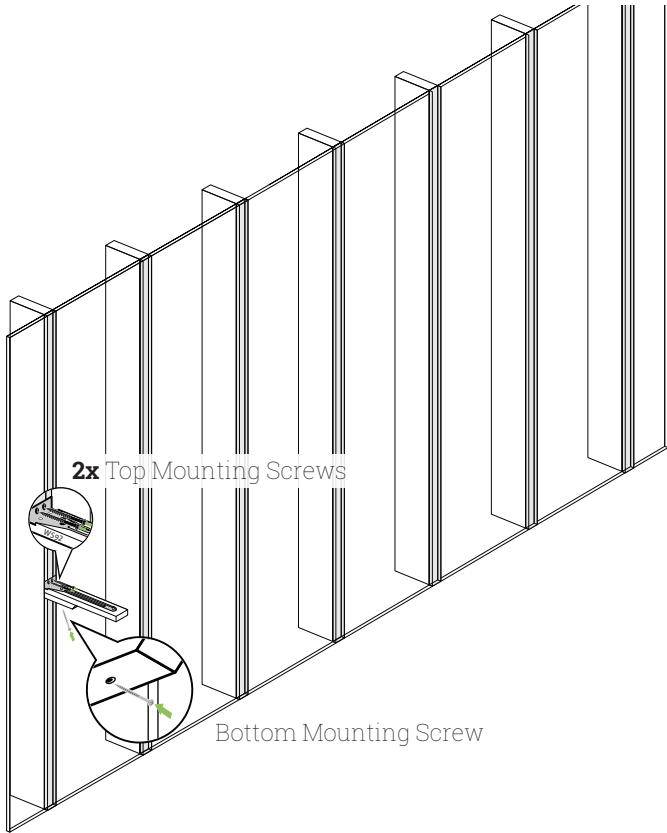
Video Guide

Step 4-6 (Locating a stud and installing a plank)



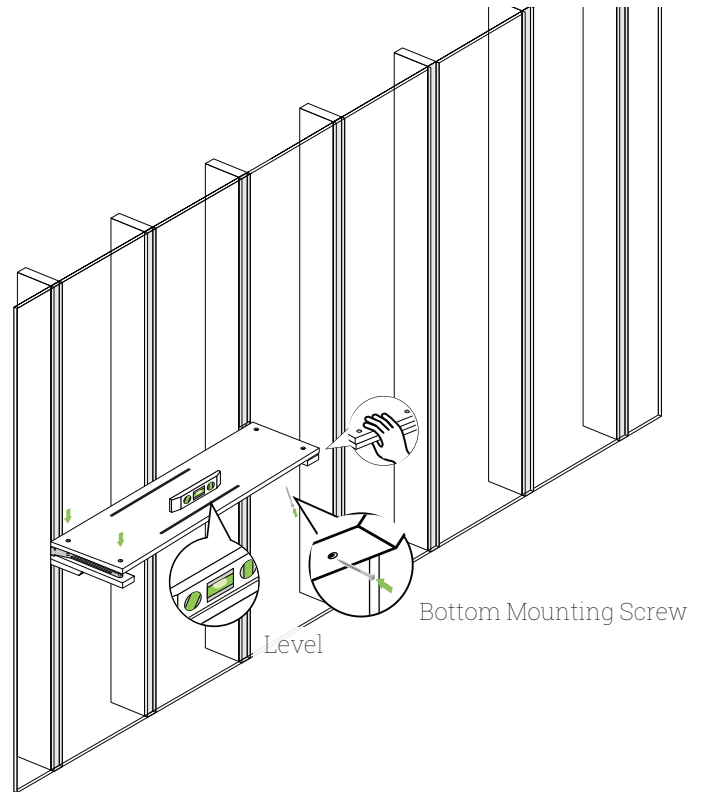
6

Install two **Top Mounting Screws** in the **Plank Bracket**. Install a **Bottom Mounting Screw** on the underside of the **Plank**. Follow the angle of the opening for the proper hold in the stud.



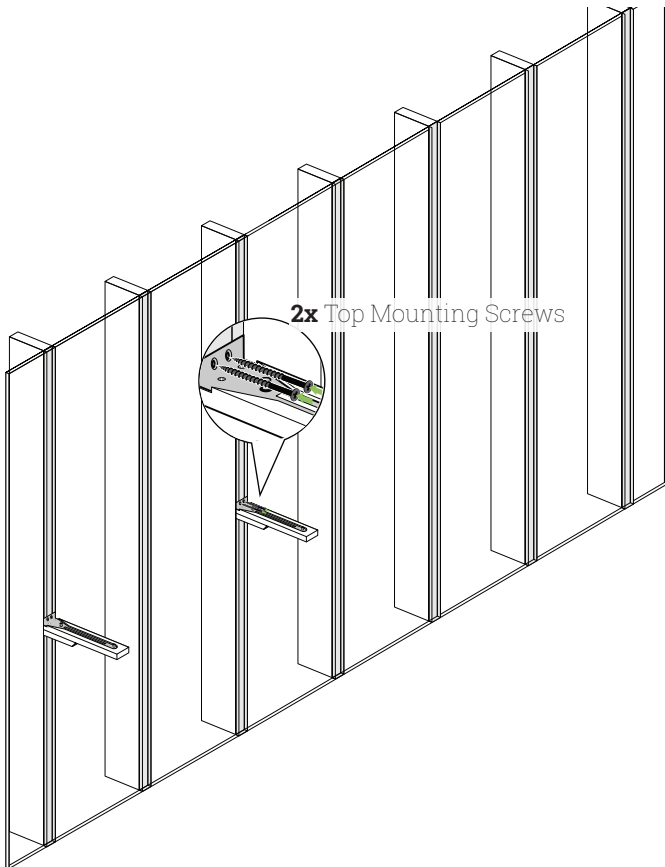
7

Place the **34" Shelf Top** on the **Plank Bottom**. Use the level to ensure the Shelf is flat. Line up a **Plank Bottom** with the other end of the Shelf and install the **Bottom Mounting Screw**.



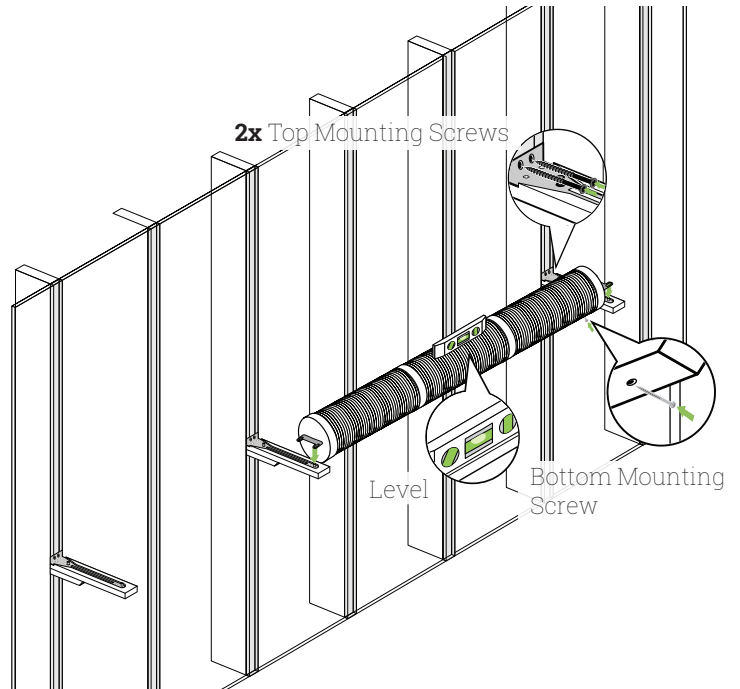
8

Remove the **34" Shelf Top** and install two **Top Mounting Screws** through the **Plank Bracket**.



9

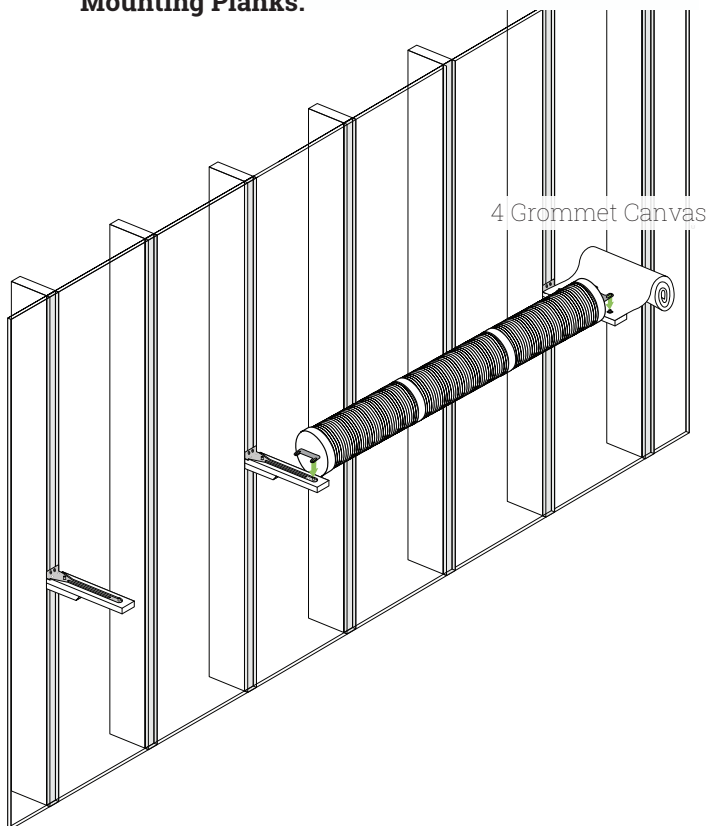
Line up the **Horizontal Bracket** with the **Plank Bracket Standoff** and place the **Horizontal Scratching Pole** on the **Plank Bottom**. Use the **Level** to ensure the Scratching Pole is flat.



Rotate the second **Pole Cap** and **Bracket** into place to line up with the **Plank Bracket Standoff** at the other mounting point. Install the **Bottom Mounting Screw** and **Top Mounting Screws**.

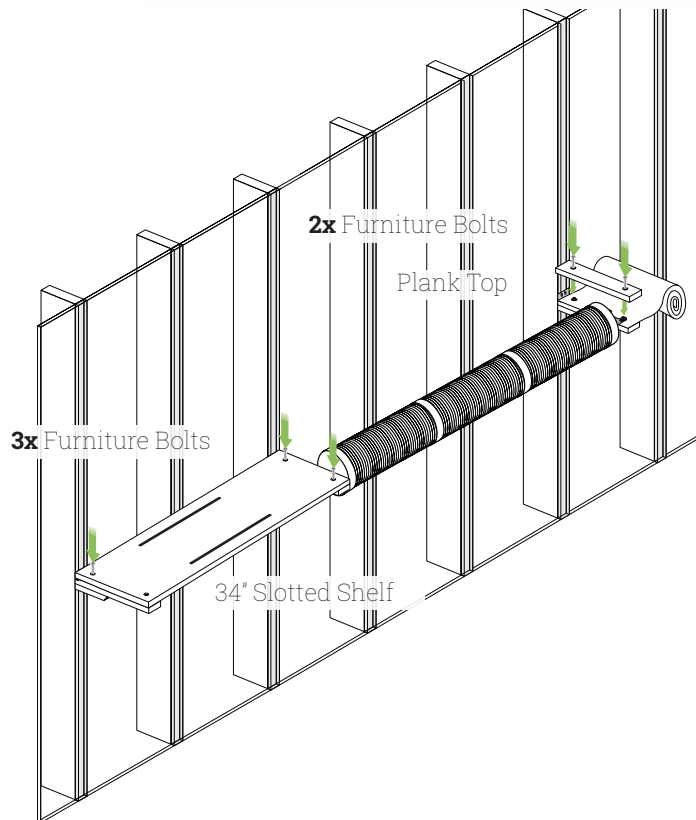
10

Remove the **Scratching Pole** and tighten the **Sisal Pole Bolt** to hold the **Pole Cap** in place. Place the **4-Grommet Canvas** Piece on the **Plank Bottom**. Place the Horizontal Scratching Pole back on the **Mounting Planks**.



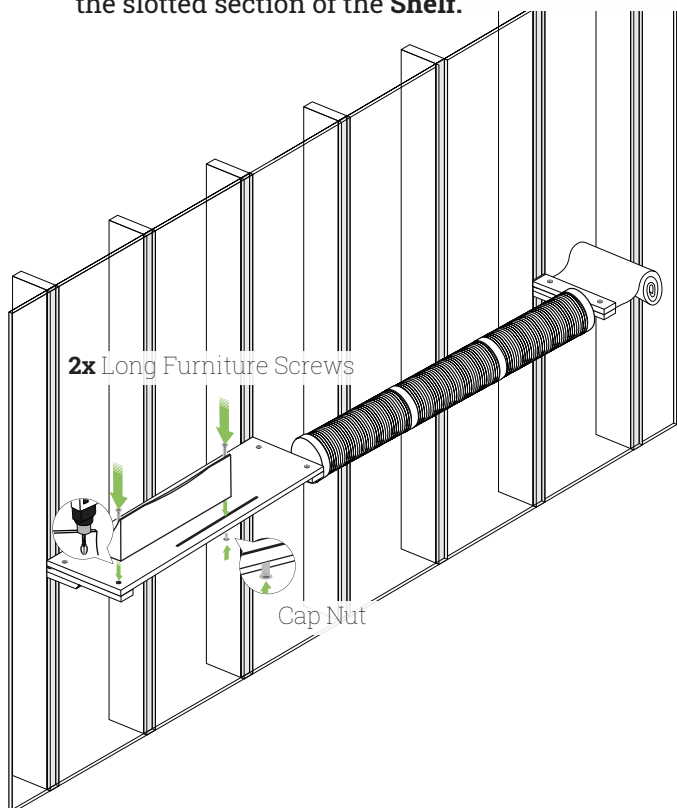
11

Place the **34" Shelf Top** on the **Plank Brackets**. Install three **Furniture Bolts**, leaving one hole open. On the other end of the **Scratching Pole**, place a **Plank Top** and install two **Furniture Bolts**.



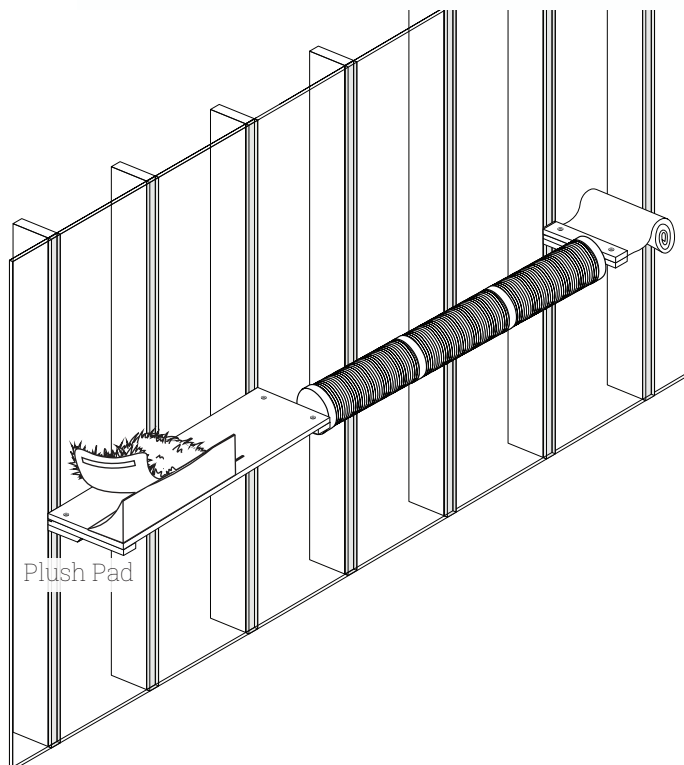
12

Place the **Curved Ledge** on the **34" Shelf**. Install a **Long Furniture Bolt** through the **Curved Ledge** and into the **Plank Bracket**. Install a **Furniture Bolt** and **Cap Nut** through the **Curved Ledge** along the slotted section of the **Shelf**.



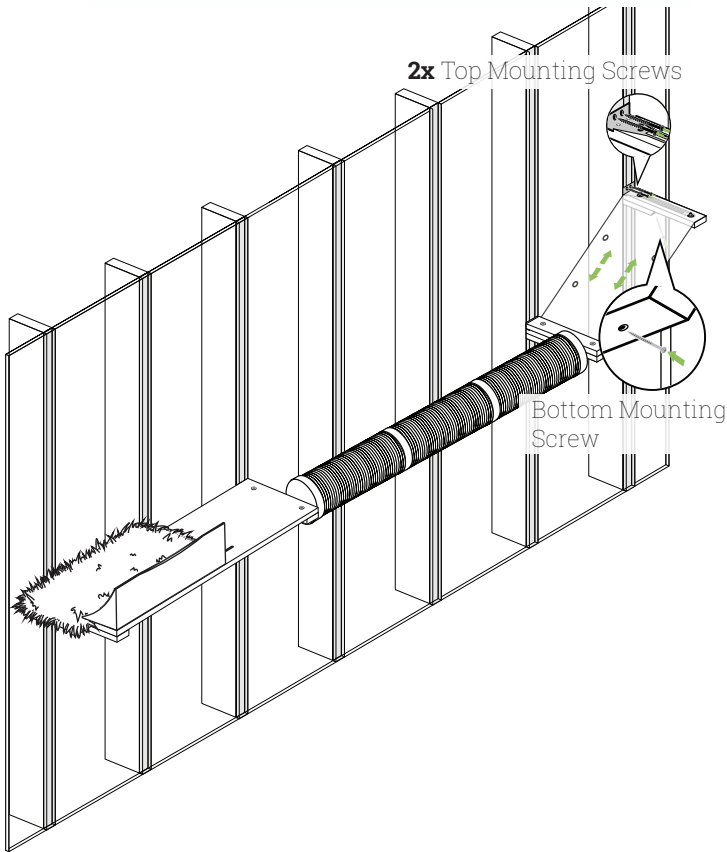
13

Remove the adhesive backing on the **Plush Bed** Velcro strips. Line up the **Plush Bed** on the **Shelf**, then press the **Bed** along the Velcro strips to attach the **Bed** to the **Shelf**.

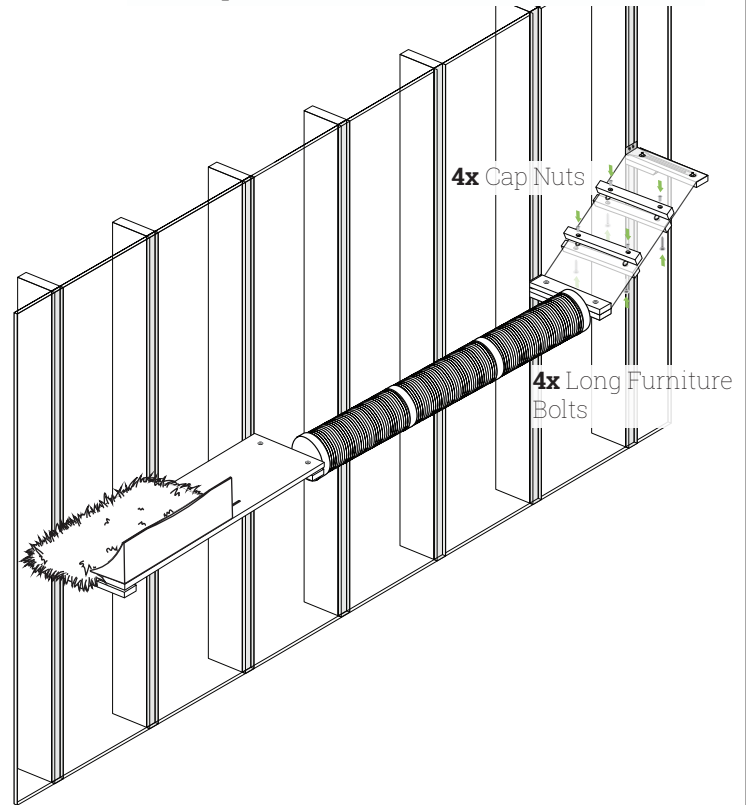


14

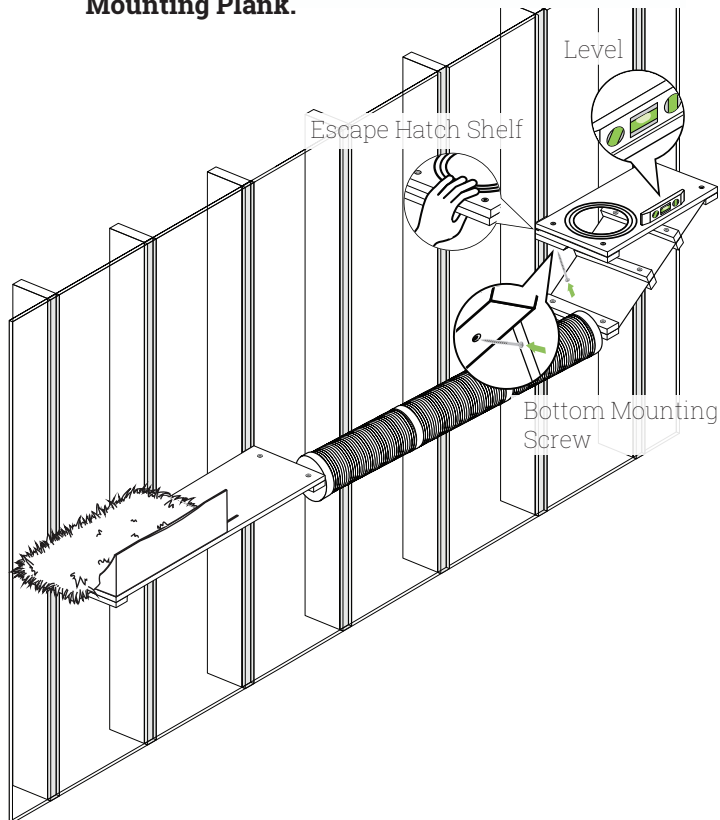
Stretch the Fabric diagonally to the next stud. Install the **Mounting Plank** using one **Bottom Mounting Screw** and two **Top Mounting Screws**.

**15**

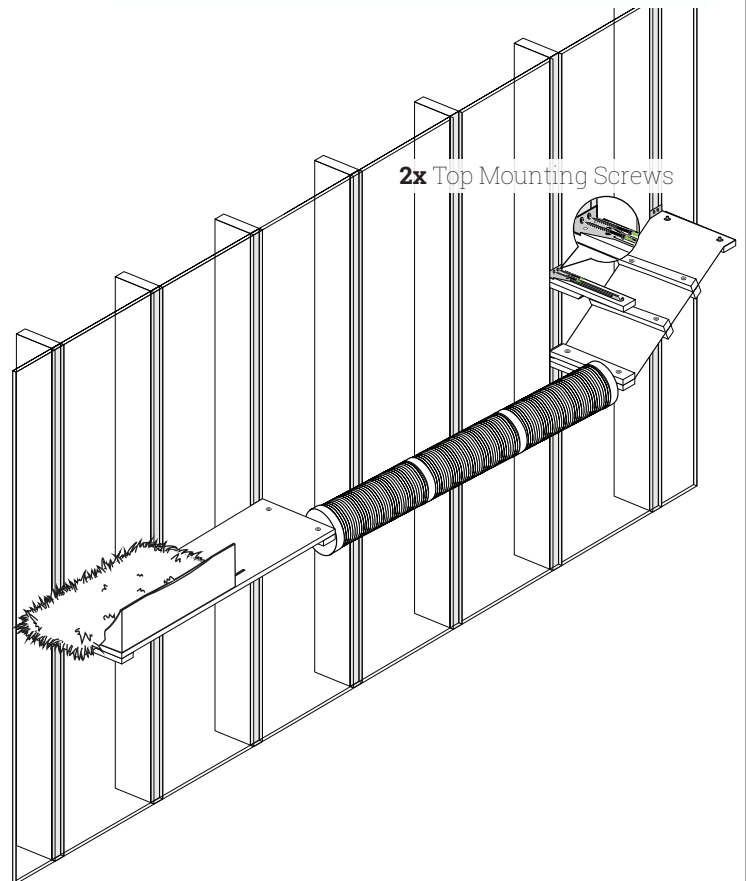
Line up the **Ladder Pieces** with the grommets on the fabric. Thread the **Long Furniture Bolt** and **Cap Nut** through the **Ladder Pieces**. Tighten the bolts down with the **Allen Wrench** to secure the Ladder in place.

**16**

Place the **18" Escape Hatch** on the **Mounting Plank** and line up the next **Mounting Plank**. Use the level to ensure that it is flat. Install the **Bottom Mounting Screw** through the new **Mounting Plank**.

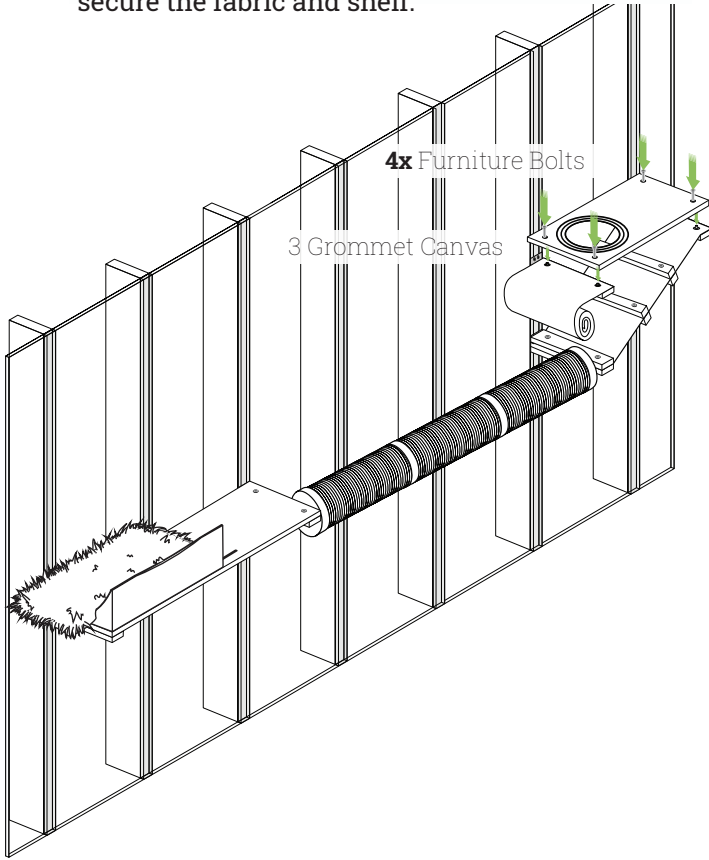
**17**

Remove the **18" Escape Hatch**. Install two **Top Mounting Screws** through the **Plank Bracket**.



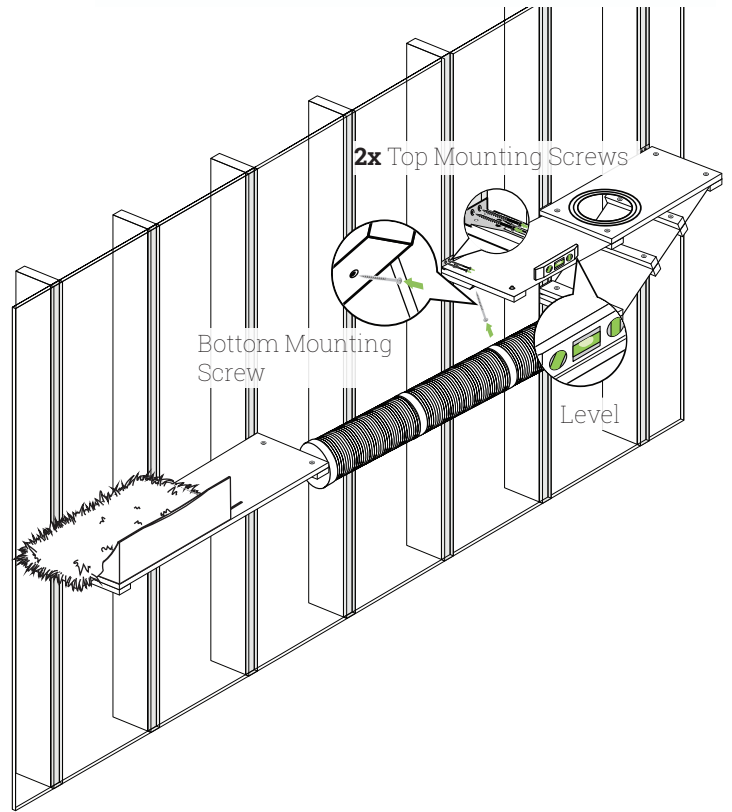
18

Line up the **3-Grommet Canvas** on the **Plank Bracket**. Place the **18" Escape Hatch Top** on the **Mounting Planks**. Install four **Furniture Bolts** to secure the fabric and shelf.



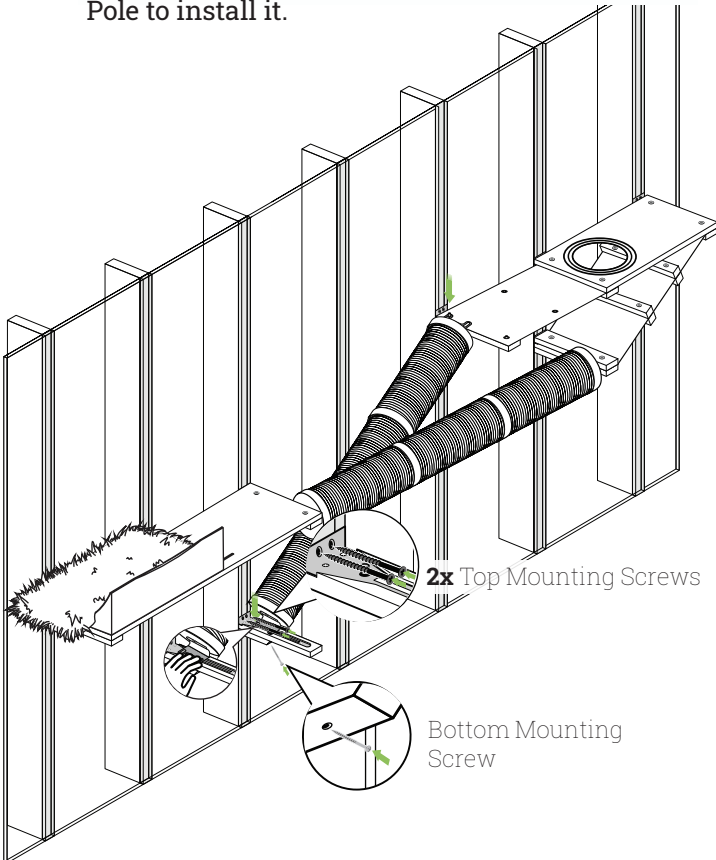
19

Stretch the **3-Grommet Canvas** to the next stud. Line up the **Mounting Plank** and use the **Level** to ensure the fabric is flat. Install one **Bottom Mounting Screw** and two **Top Mounting Screws**.



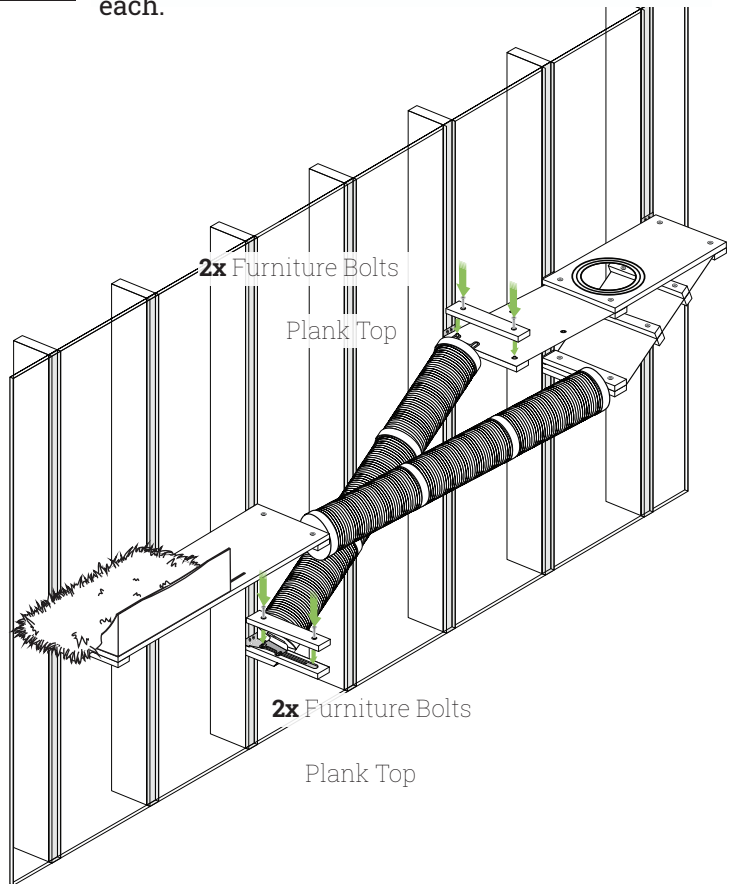
20

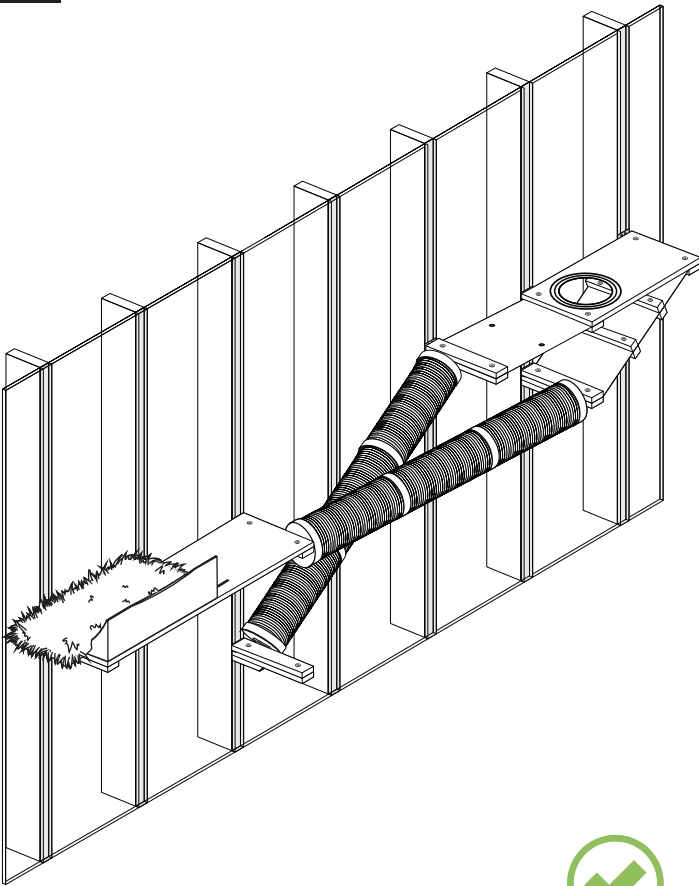
Use the **Angled Pole** to line up the **Mounting Plank** with the next stud. Mark the location of the **Mounting Plank** with a **Pencil** and remove **Pole** to install it.



21

Place a **Plank Top** on each remaining exposed mounting point. Install two **Furniture Bolts** in each.






Scan QR code

for additional installation
resources & videos



Get in Touch!

 (616) 583-8143

 support@catastrophiccreations.com

Customer Service Available
Monday- Friday
Hours: 8am-4pm EST

Acclimation Tips

Now that your cat's new furniture is up, you want to give your cat positive reinforcements so they will relate the area to good things. We highly suggest incorporating things like catnip, playtime, or giving them treats from their new furniture. Any time we get treats out, our cat Heisenberg jumps onto a wall complex because that's where we always feed him treats.

