

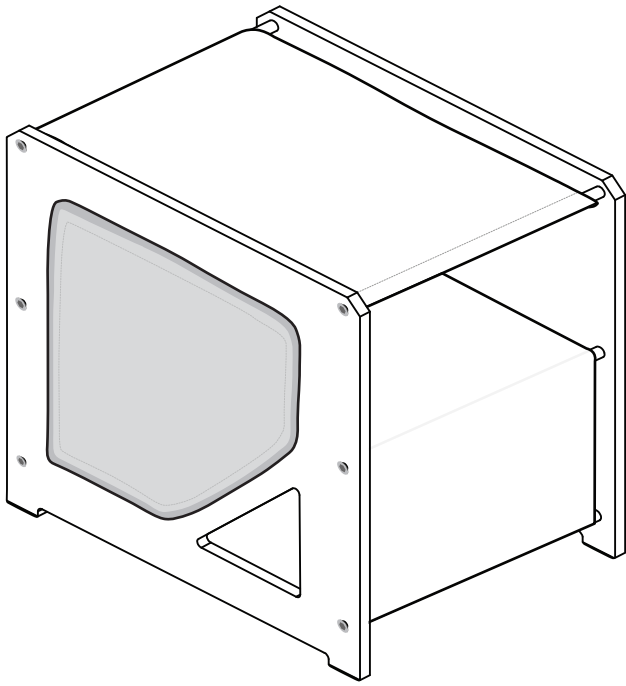
ASSEMBLY GUIDE

The Grotto & Overlook



CATASTROPHIC
CREATIONS

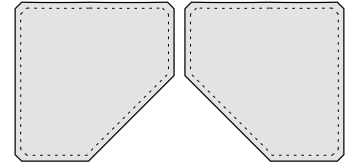
The Grotto



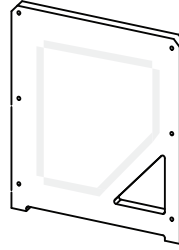
Scan QR code for
Video Instructions



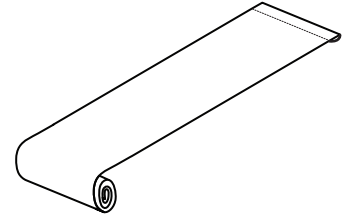
1x Allen Wrench



2x Sisal Mats



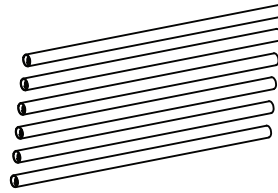
2x Panels



1x Fabric



12x Furniture Bolts



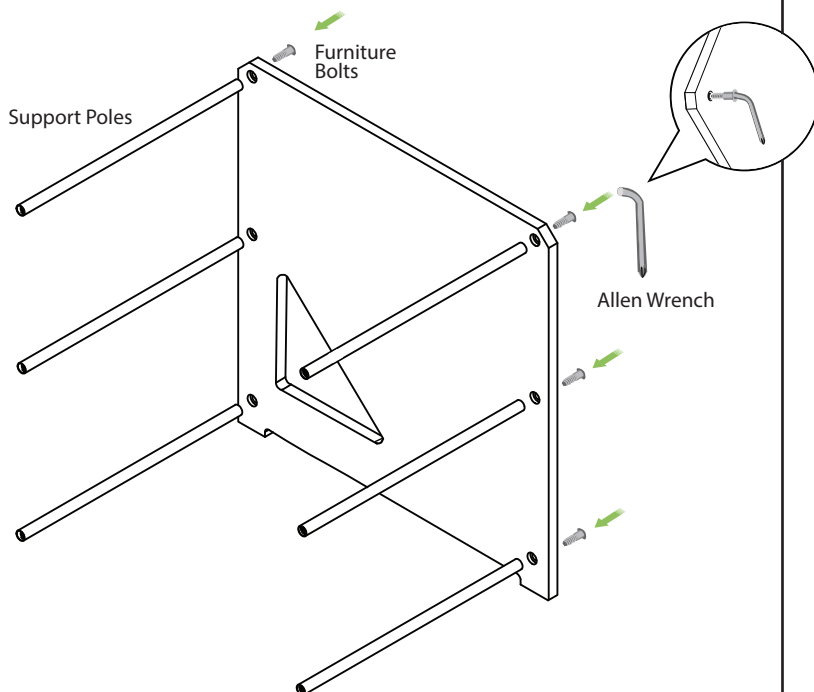
6x Support Poles



4x Silicone Pads

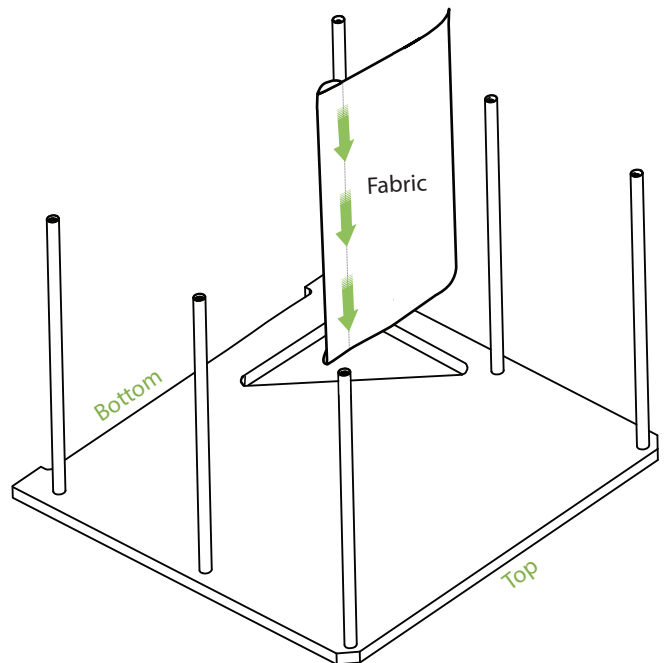
1

Connect all 6 **Support Poles** to one of the **Panels**, lining them up with the inset holes and securing them in place with **Furniture Bolts** using the **Allen Wrench**.



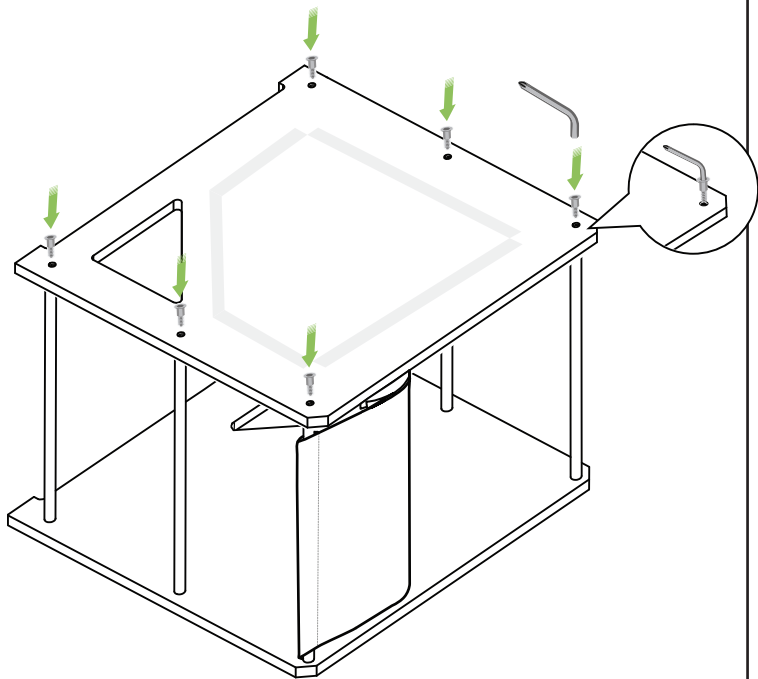
2

Place the **Panel** flat on the floor and locate the bottom, noticing which side has feet. Place the **Fabric** around either of the top **Support Poles** with the velcro facing toward the bottom of the tree.

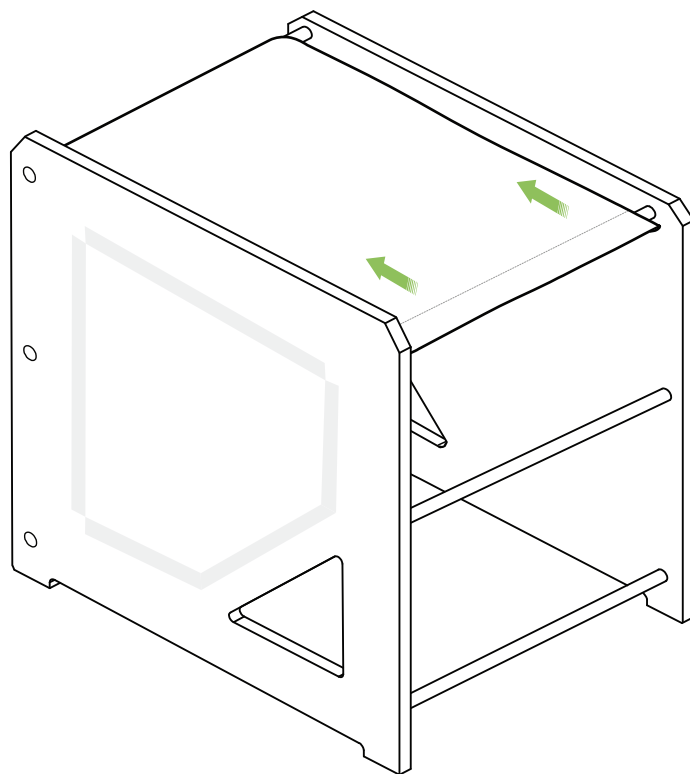


3

Next, place the other **Panel** over the **Support Poles** with both feet on the panels facing the same direction. Use the **Allen Wrench** and **Furniture Bolts** to connect the panel to the poles.

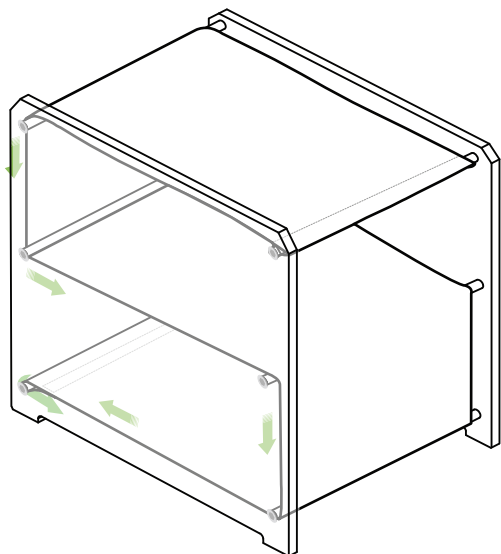
**4**

Wrap **Fabric** along the **Support Poles**, starting along the outside of the poles at the top of the tree.

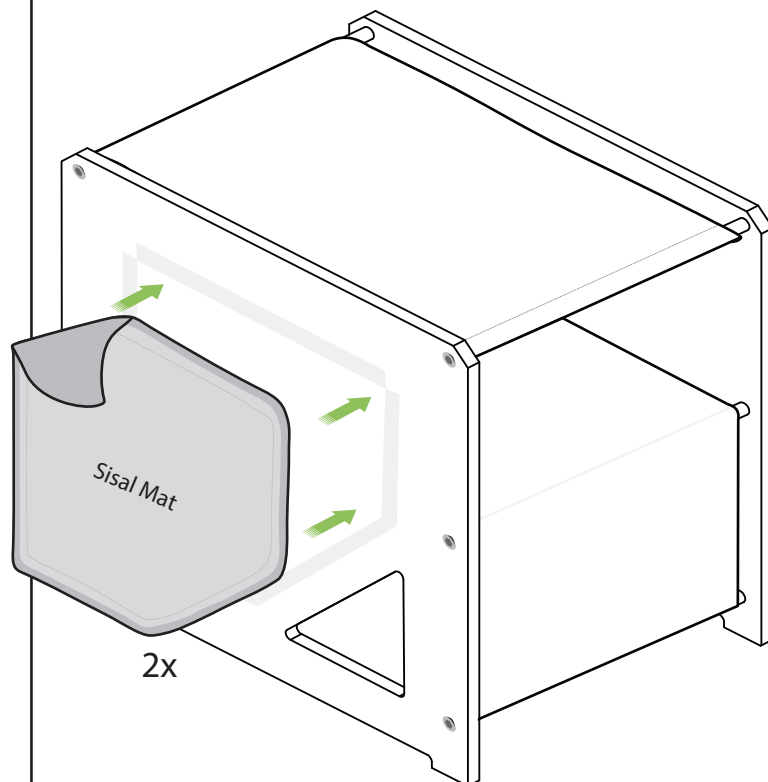
**5**

Working your way to the bottom of the structure, continue wrapping **Fabric** around the **Support Poles**, creating an S shape. Pull the fabric taut and using the velcro, attach it to the final pole.

Please note, our gray fabric is stretchier and needs to be pulled tight to reach the velcro. It's easiest to do this from a standing position and push down on the fabric with your palms facing the fabric.

**6**

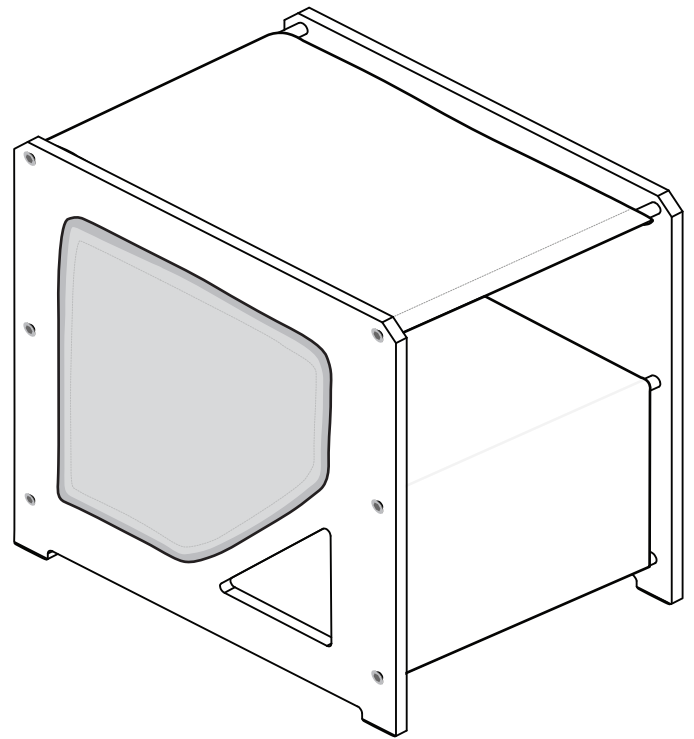
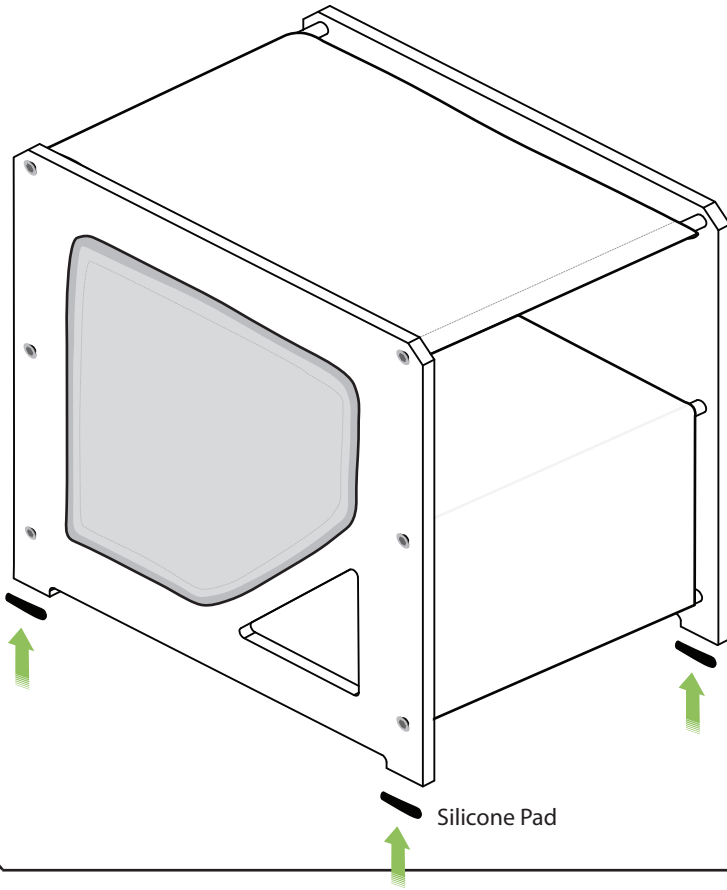
Attach the **Sisal Mats** onto the sides by lining up the velcro on the **Panels**.



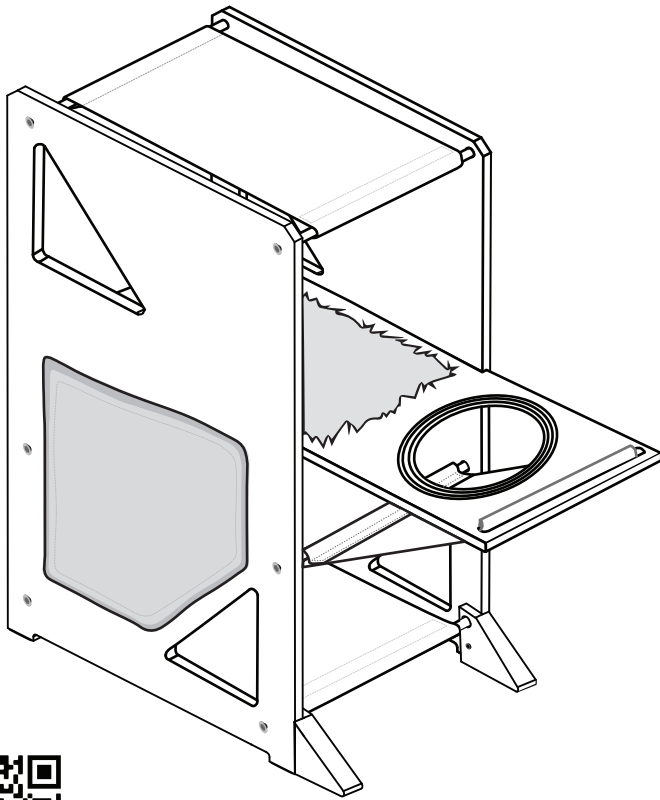
Please **scan QR code** for video demonstration.

7

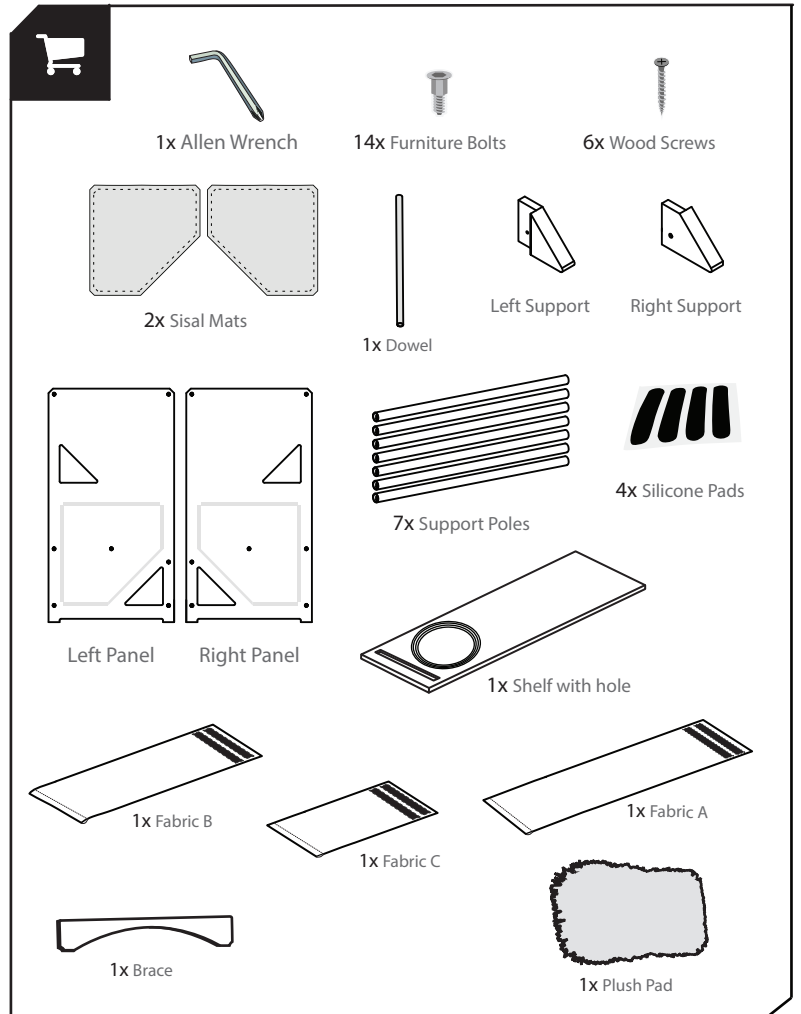
7. Peel back the film backing on the **Silicone Pads** and attach the pads to the bottom of the feet.



The Overlook

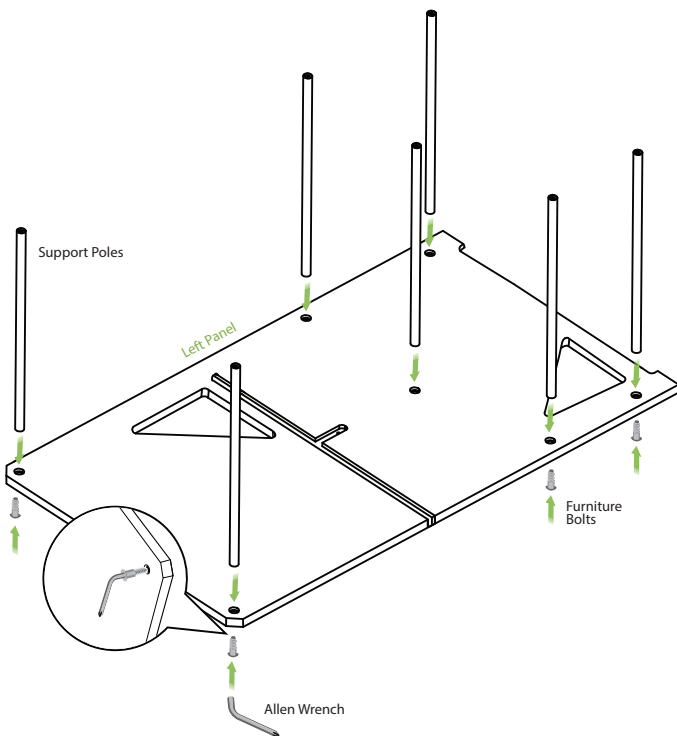


Scan QR code for
Video Instructions



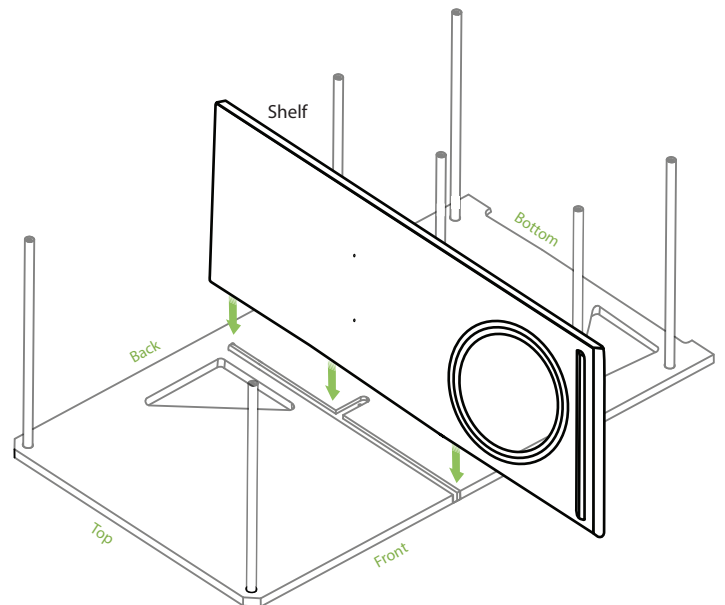
1

Connect the **7 Support Poles** to the **Left Panel**, lining them up with the inset holes and securing them in place with the **Furniture Bolts** and **Allen Wrench**.



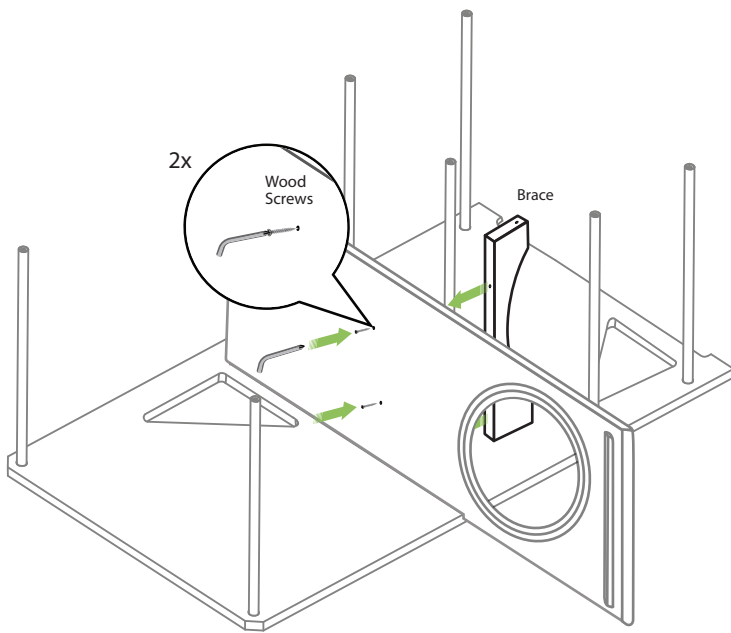
2

With the **Left Panel** laying down on the floor, place the **Shelf** into the cutout channel, with the circle grooves facing the top of the tree.

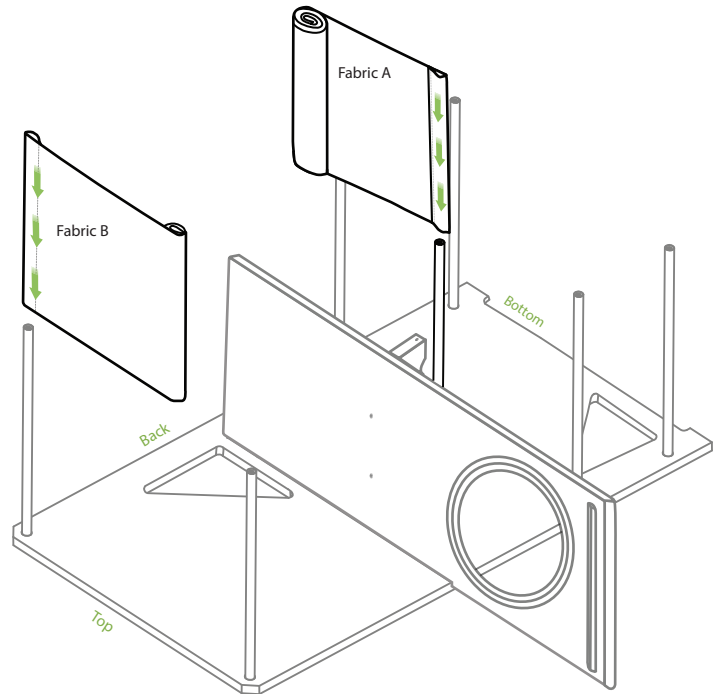


3

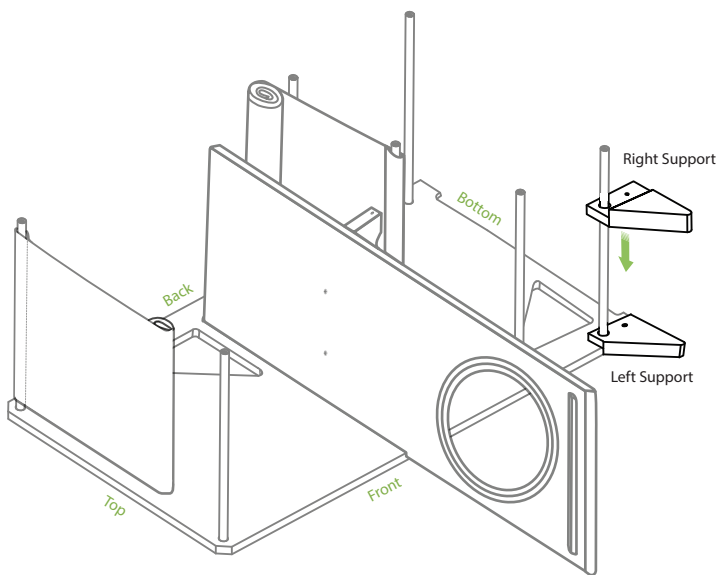
Place the **Brace** in the inset section under the shelf, then hold the two pieces together with **2 Wood Screws** using the **Allen Wrench**.

**4**

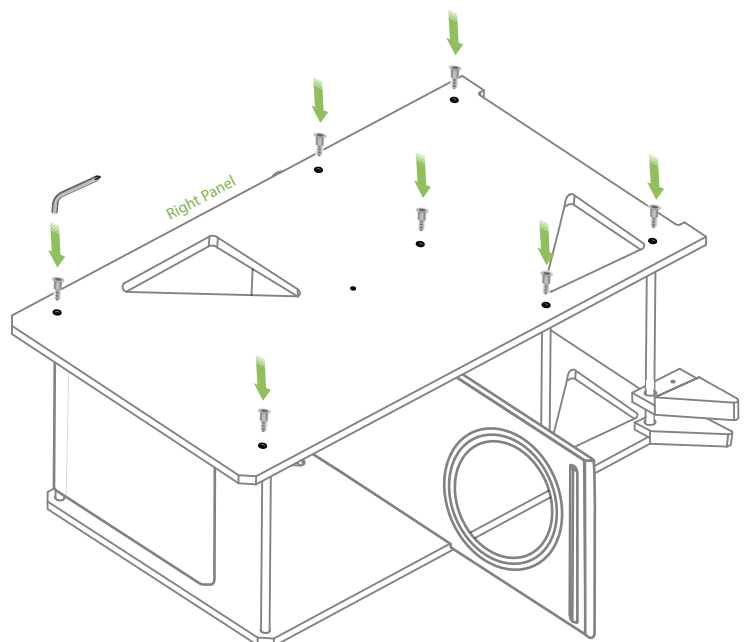
Place **Fabric A** around the center **Support Pole**, with the velcro strips facing the top of the tree. Then place **Fabric B** around the back pole at the top of the tree with the velcro facing the bottom of the tree.

**5**

Place the **Left** and **Right Support** over the bottom pole on the front of the tree. Set them onto the pole with the flat sides touching and the inset side of the first brace against the Left Panel. When you place them down, the cutout space should fit around the panel.

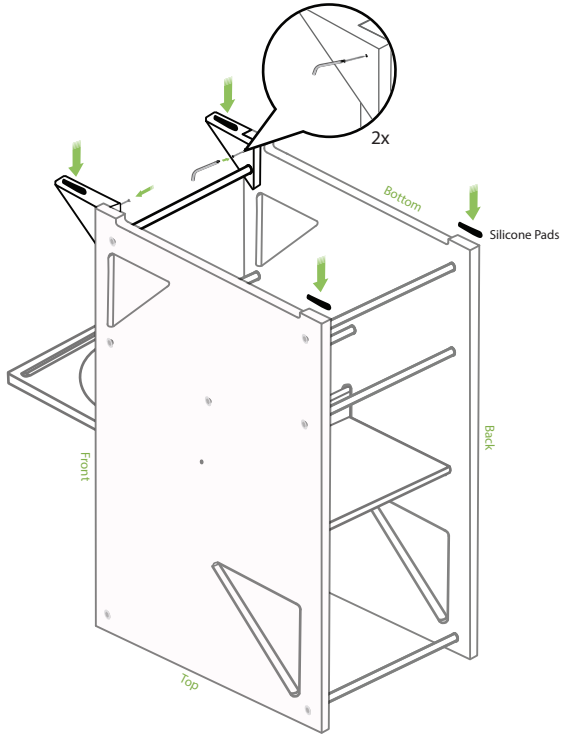
**6**

Next, place the **Right Panel** over the poles, with the feet facing bottom of the tree. Use the **Furniture Bolts** and **Allen Wrench** to connect the panel to the poles.



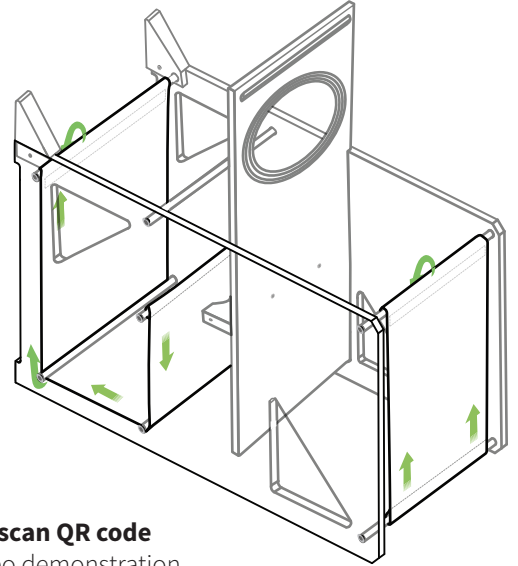
7

Set the cat tree upside down and using the **Allen Wrench** and **Wood Screws**, fasten the **Supports** into place on both cat tree Panels. Peel back the film backing on the **Silicone Pads** and attach the pads to the bottom of the feet.

**8**

Next, pull the **Fabric A** around the **Support Poles** as shown. With the cat tree on its back, pull the fabric taut and using the velcro, attach it to the final pole. Next, wrap **Fabric B** around the other top pole. Pull the fabric taut and fasten it around the pole with the attached velcro

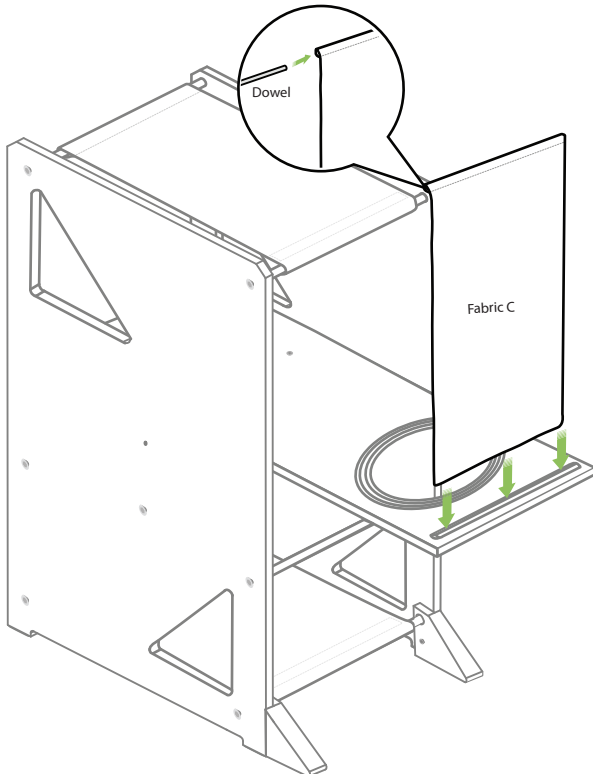
Please note, our gray fabric is stretchier and needs to be pulled tight to reach the velcro. It's easiest to do this from a standing position and push down on the fabric with your palms facing the fabric.



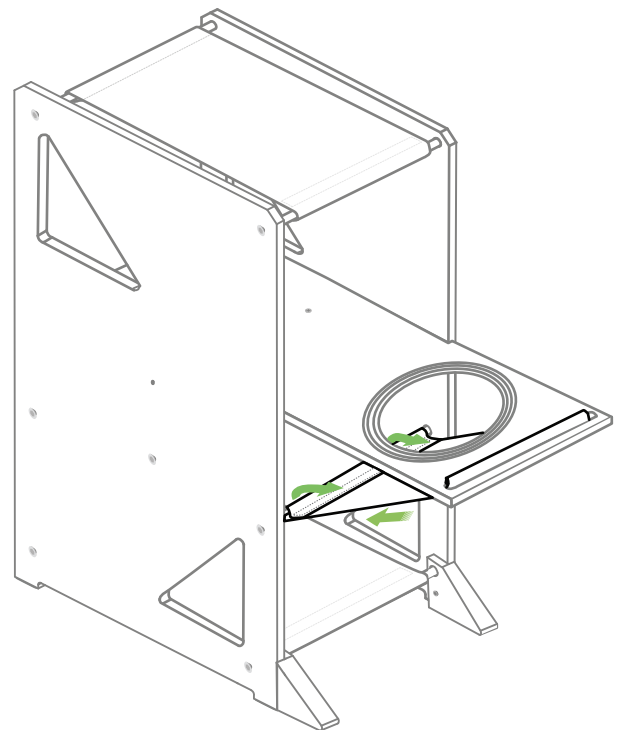
Please **scan QR code** for video demonstration.

9

Place the **Dowel** through the loop sewn in **Fabric C**, and place the velcro side through the slot in the Shelf.

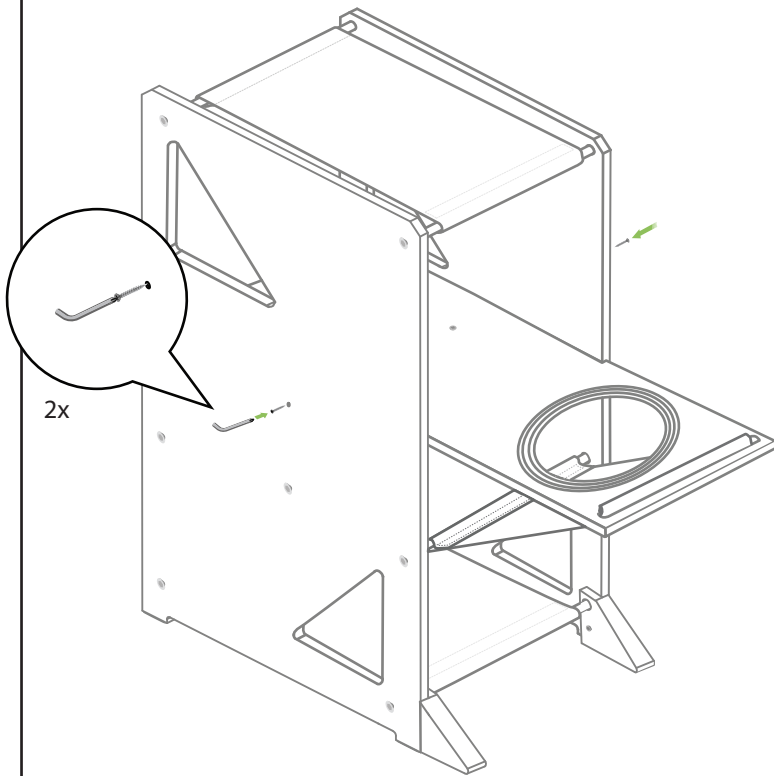
**10**

Wrap the velcro end of **Fabric C** around the Support Pole, pull the fabric taut, and fasten it using the sewn velcro.



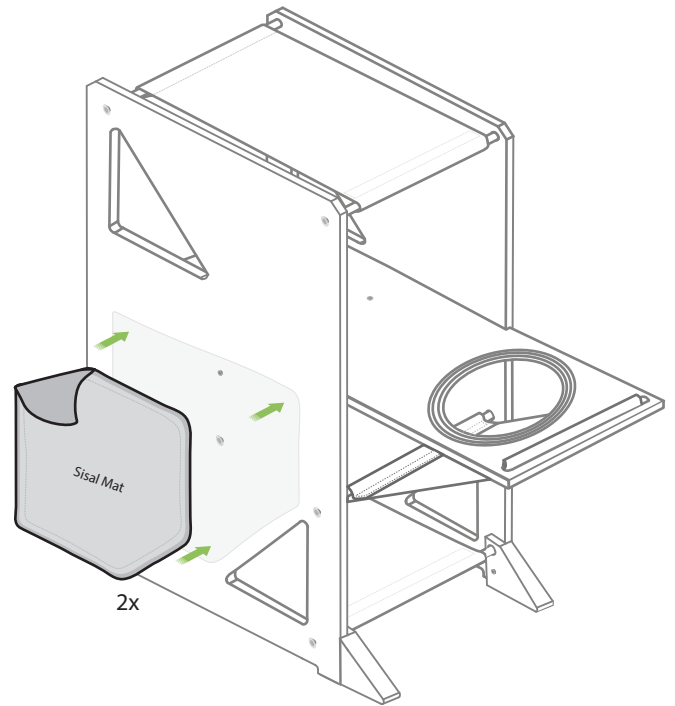
11

Using the **Allen Wrench**, install the **Wood Screws** into the holes in the middle of both **Panels** to hold the **Brace** firmly into place.



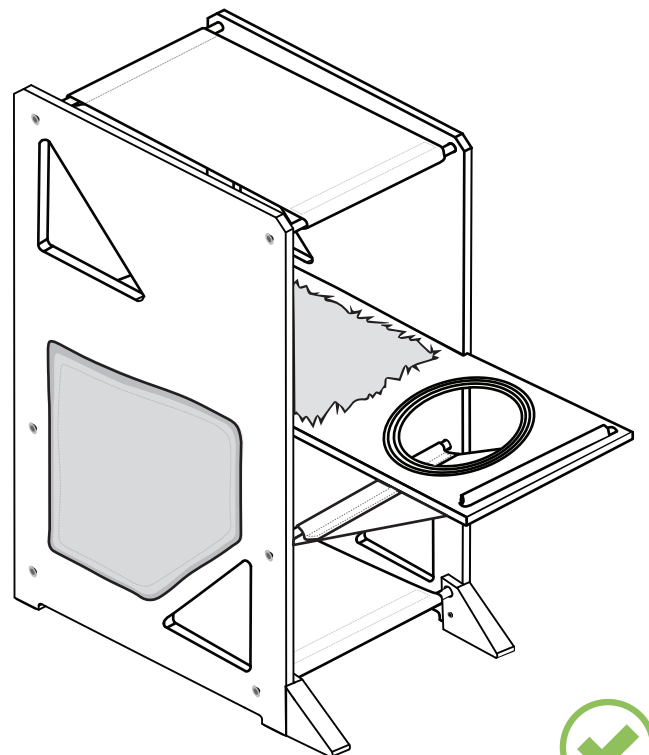
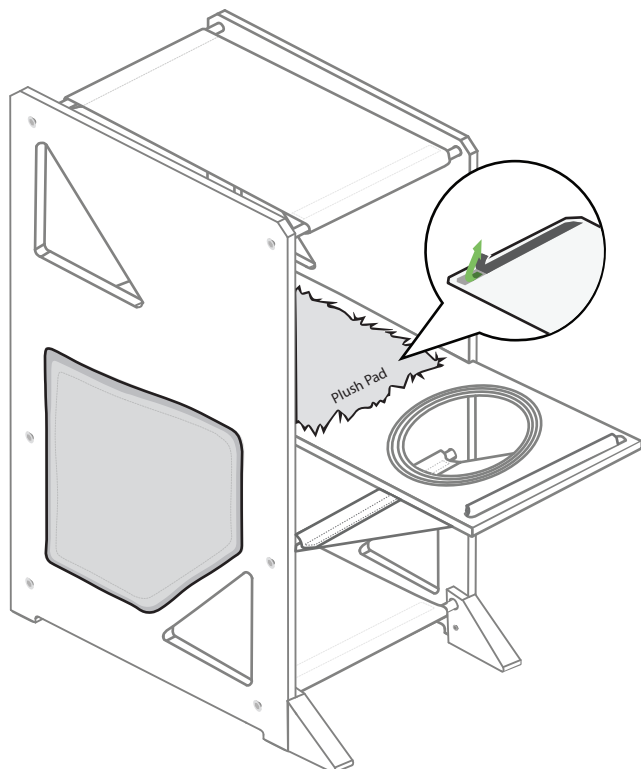
12

Attach the **Sisal Mats** onto the sides, by lining up the velcro on the **Panels**.



13

Remove the film on the bottom side of the **Plush Pad** to expose the adhesive and stick the plush pad onto the **Shelf**.



7