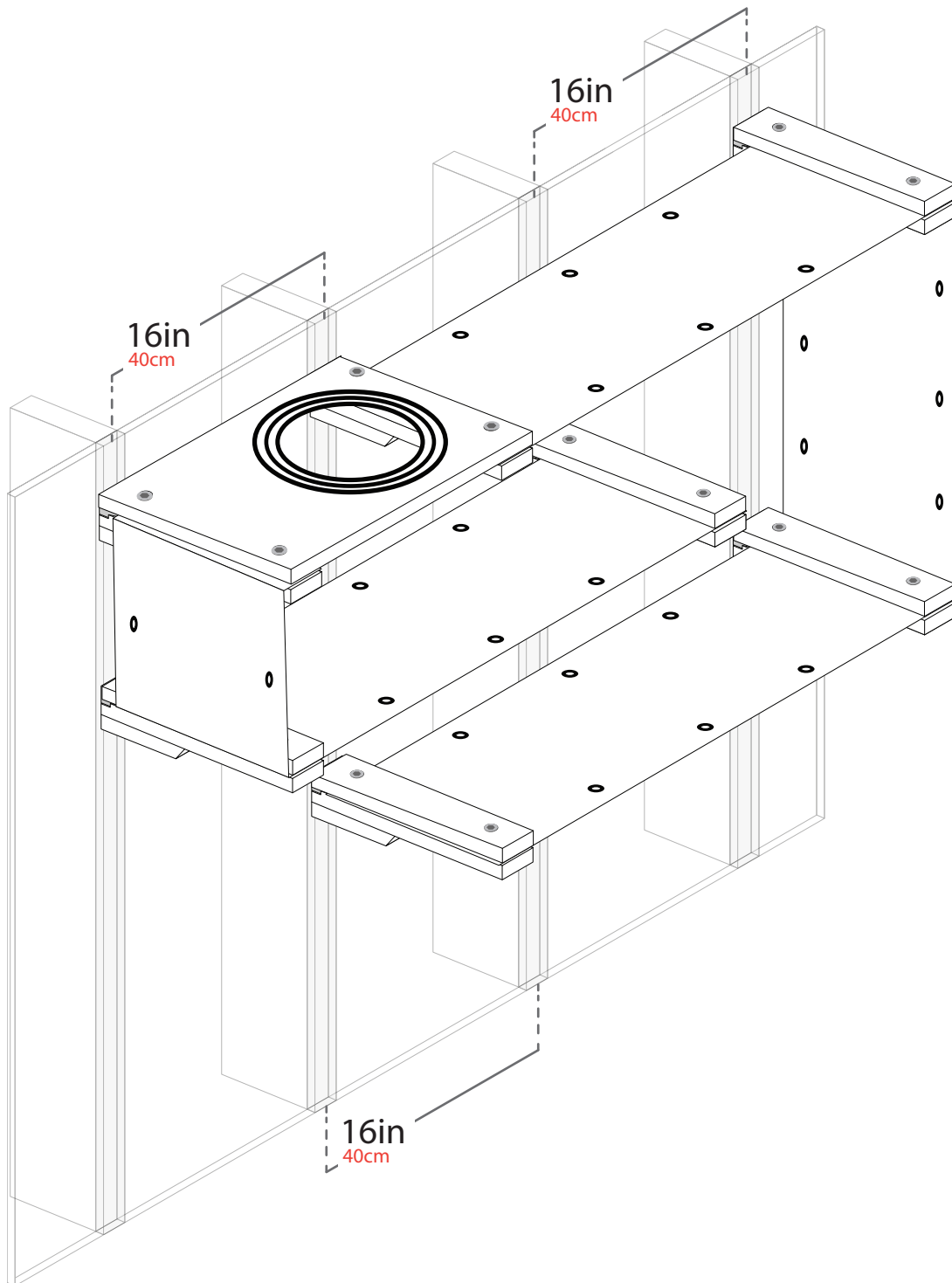


Maze - Mounting Instructions



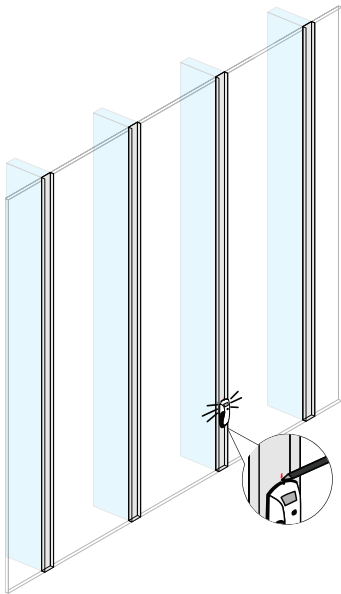
Intro to Mounting

Check your Order

Carefully check the contents of your order for anything damaged or missing, referring to the list of inventory that accompanies each set. Please save all packaging while everything is being installed. If any issues arise, please contact us at support@catacreations.com

Quick Overview

Our furniture is designed to be mounted into wooden studs spaced 16" apart on center, the most common spacing in US homes. We also have options for 24" spacing and other wall types. Any of our furniture can be mounted in a mirrored/reverse fashion.



What are Wall Studs?

Studs are the vertical framing behind drywall, typically made from wood. Some homes are built with metal studs. If you're mounting into metal studs, you will want to get a drill bit meant for drilling through metal and self-tapping metal screws to mount the furniture. Our sets can also be mounted into brick, concrete and metal studs, with the help of additional separately purchased hardware.

Choosing a Location

Which room you install the furniture in can depend on how social your cat is and where they typically hang out. Our cats are pretty social and like to use the furniture in rooms we hang out in the most, like our living room and bedroom. If wall shelves are a new thing for your cat, it can be a good idea to mount new furniture where your cat likes to spend their time and where they are most comfortable.

Have Multiple Cats?

For homes with multiple cats, we suggest having a few routes down from the layout to avoid altercations and help your cats feel safe.

If your layout doesn't include multiple routes down, consider mounting near a couch, shelving or ledge so your cats can make a quick escape if they feel stressed.

Support

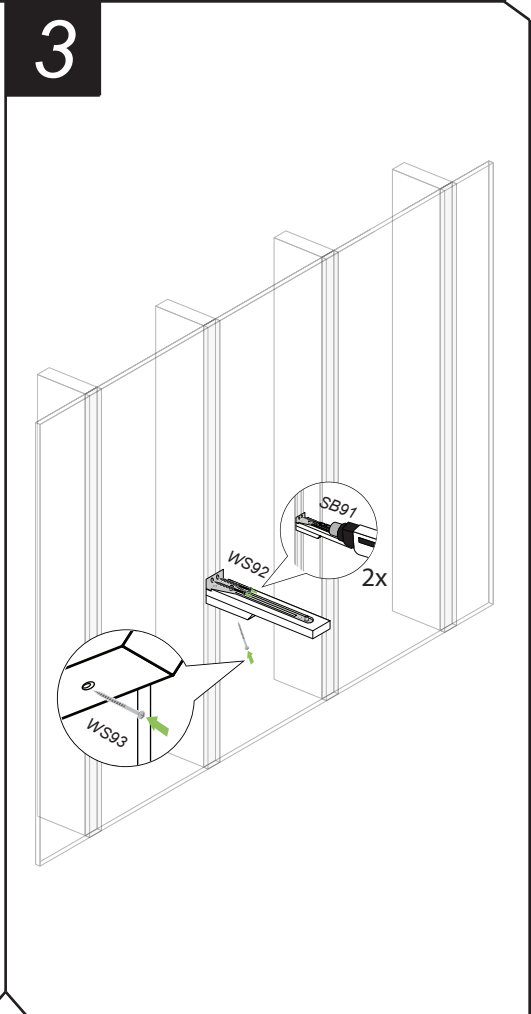
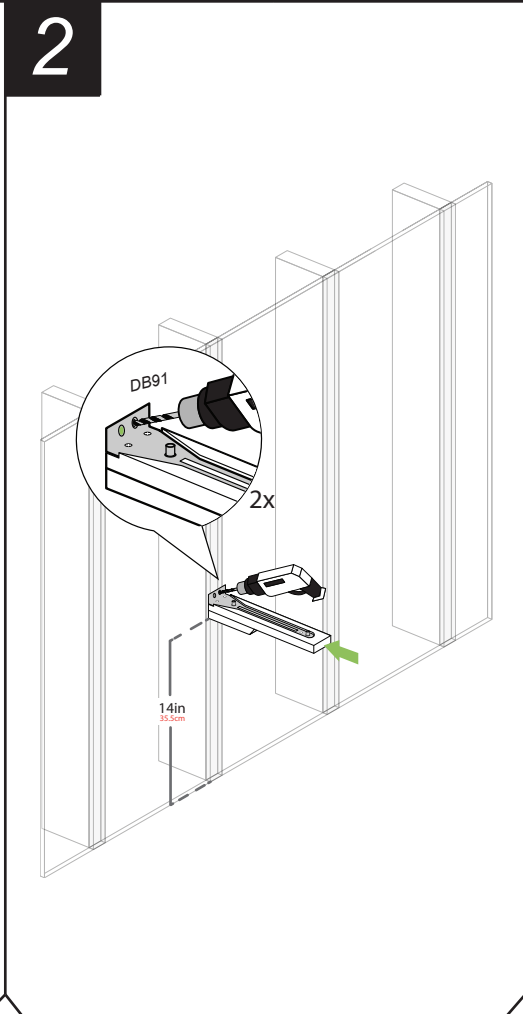
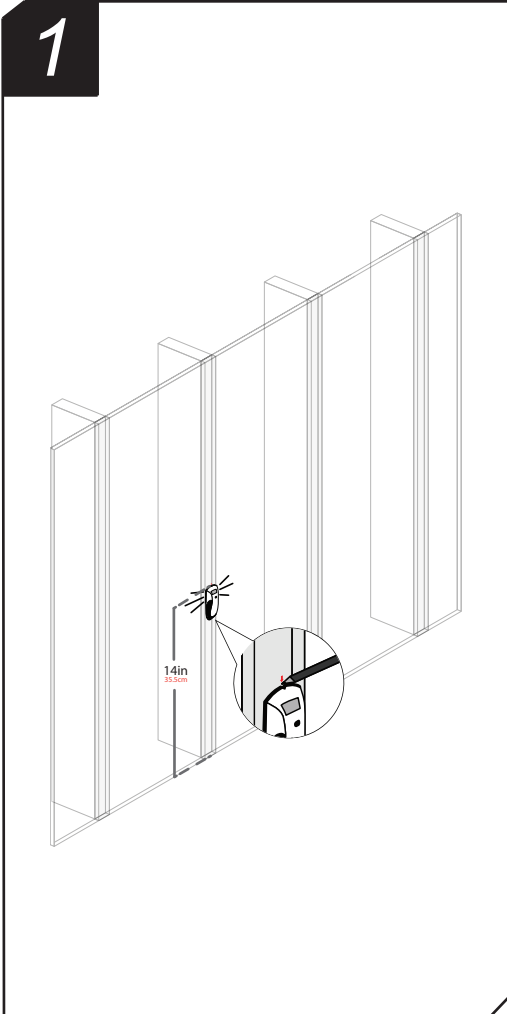
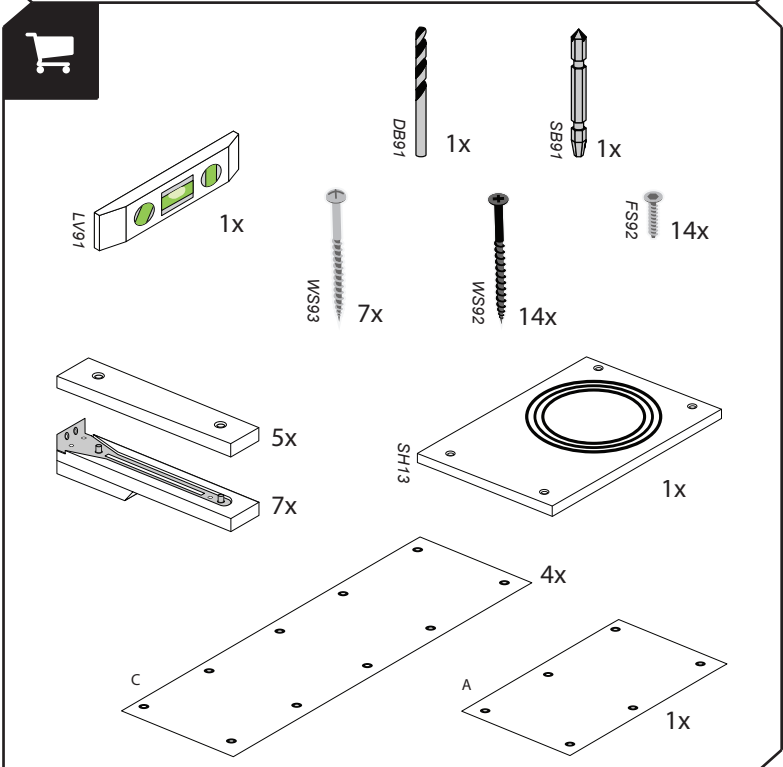
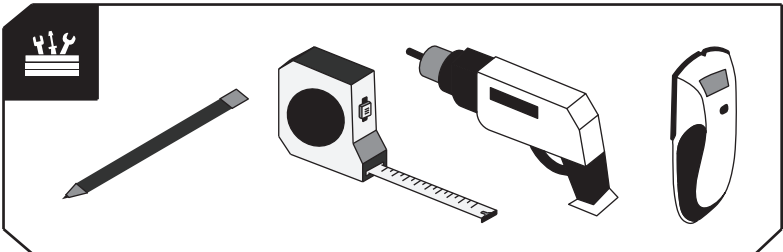
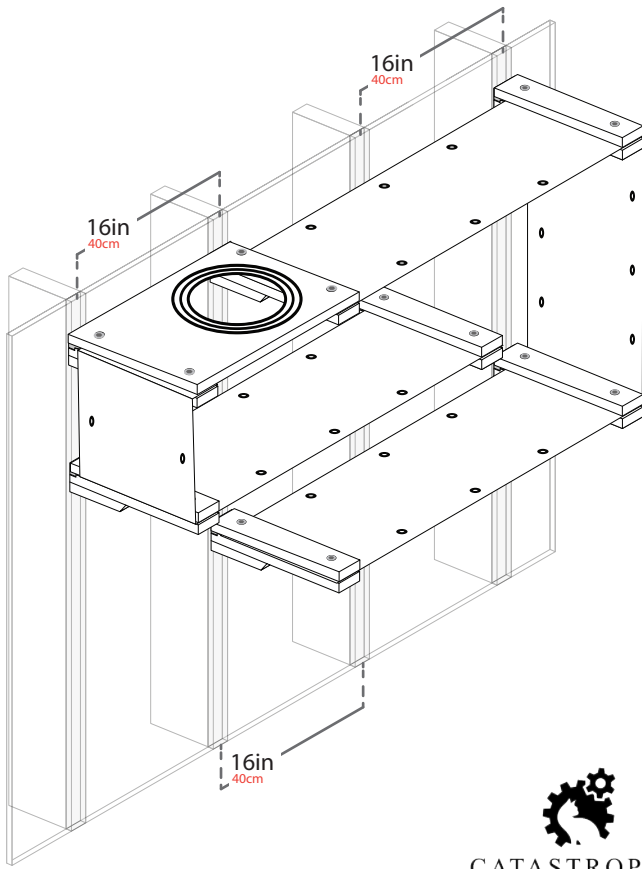
If you have any questions, please contact us at support@catacreations.com or give us a call at (616) 583-8143.

If you would like to watch a video of the mounting process, just scan this QR code.

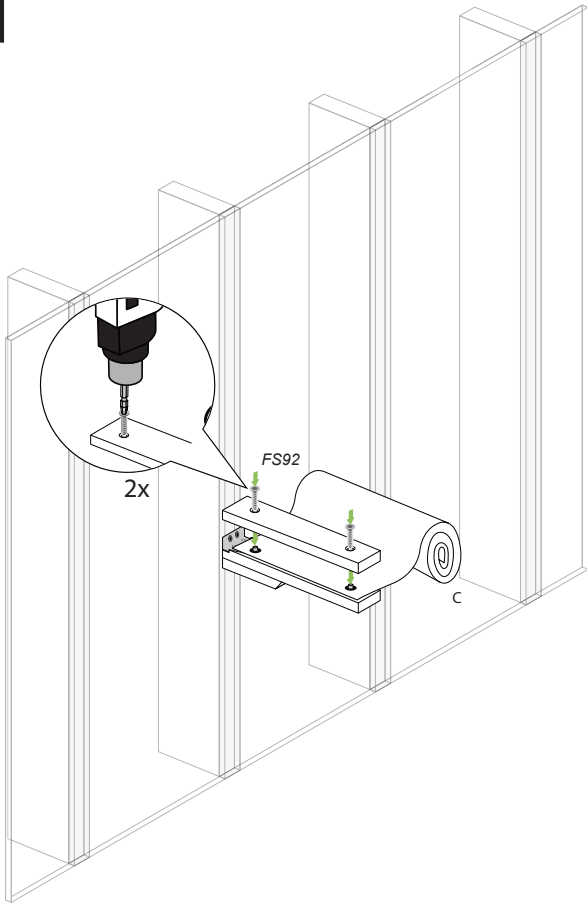


Office hours: 8 am - 4 pm EST Mon-Fri

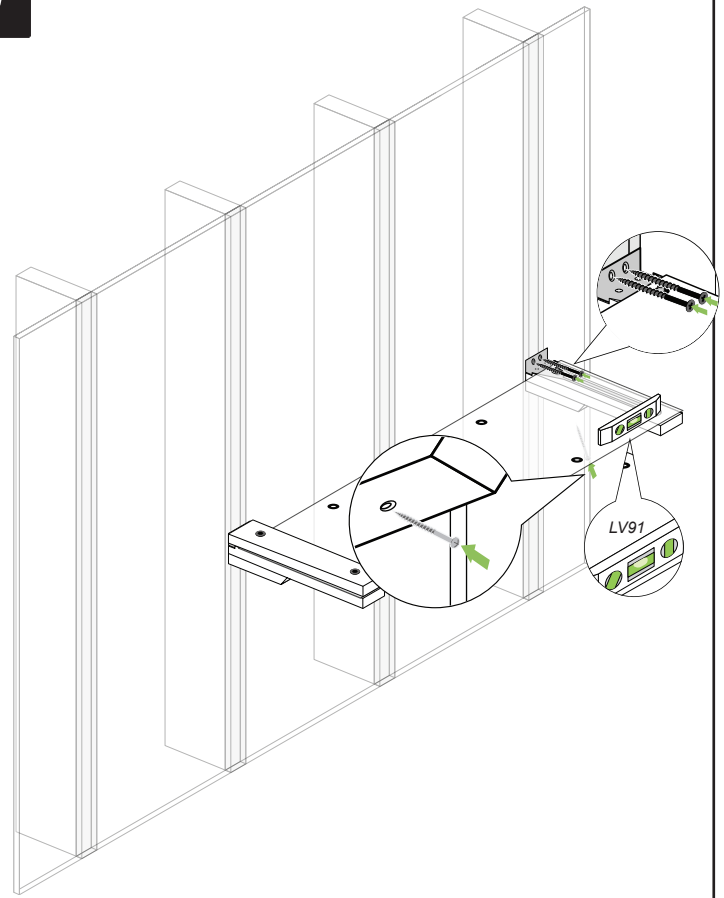
Maze



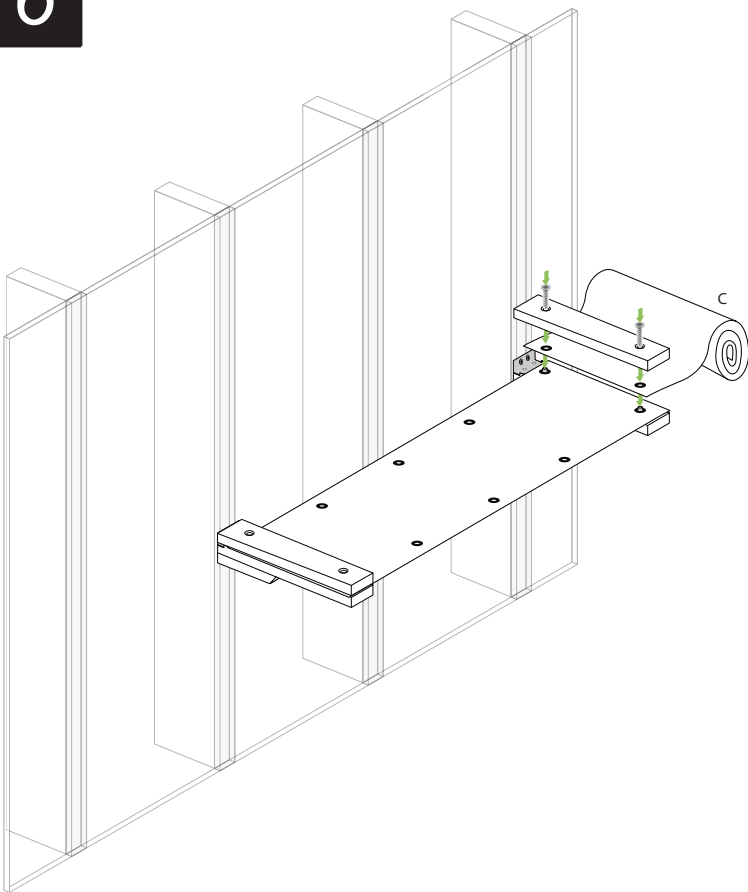
4



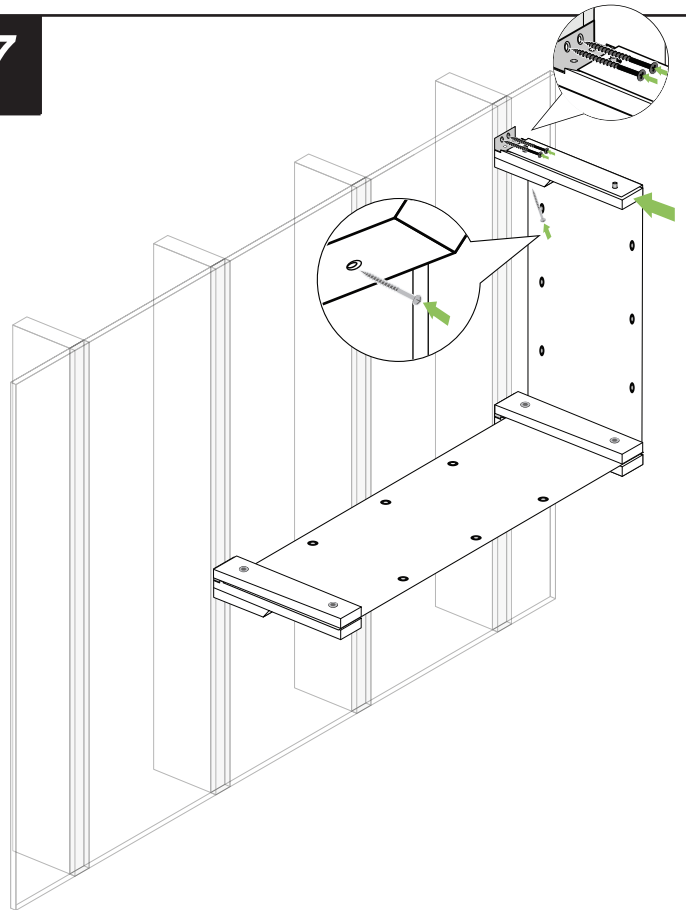
5



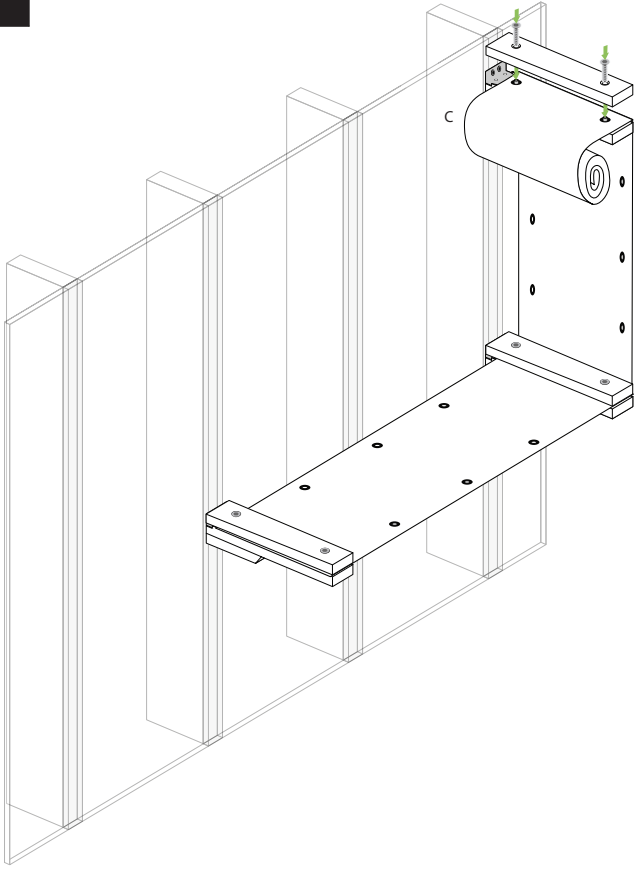
6



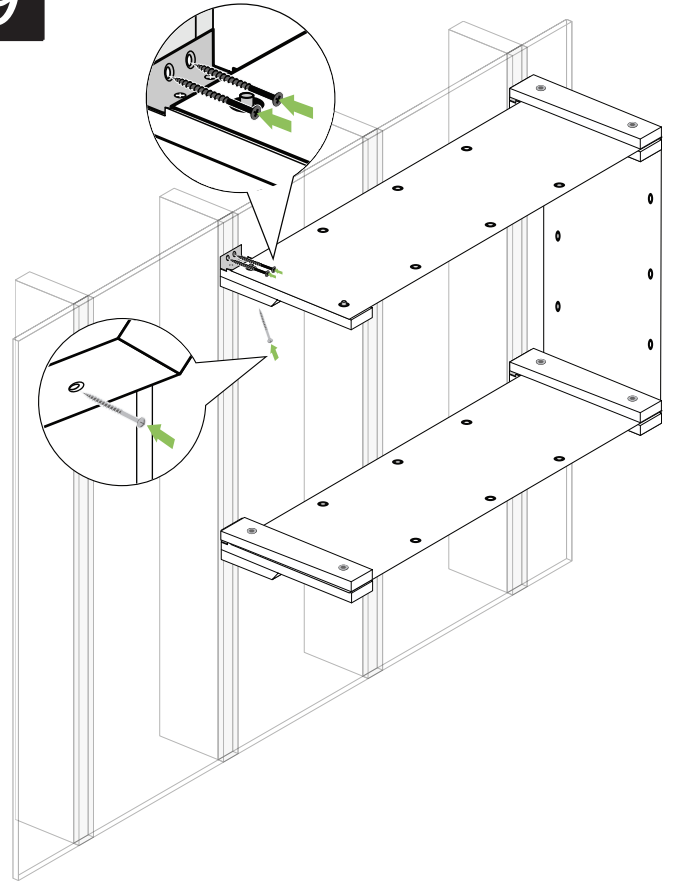
7



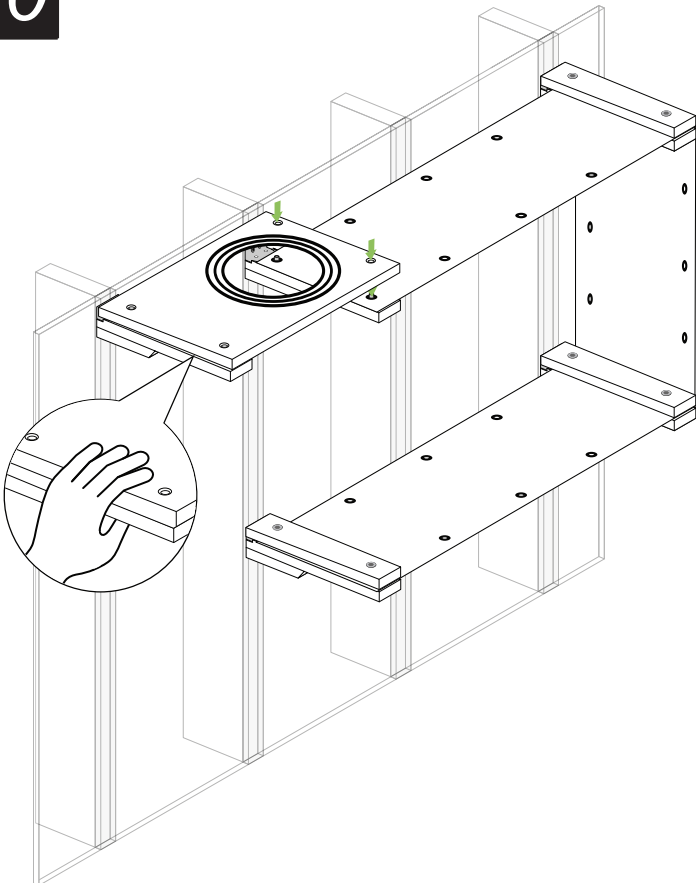
8



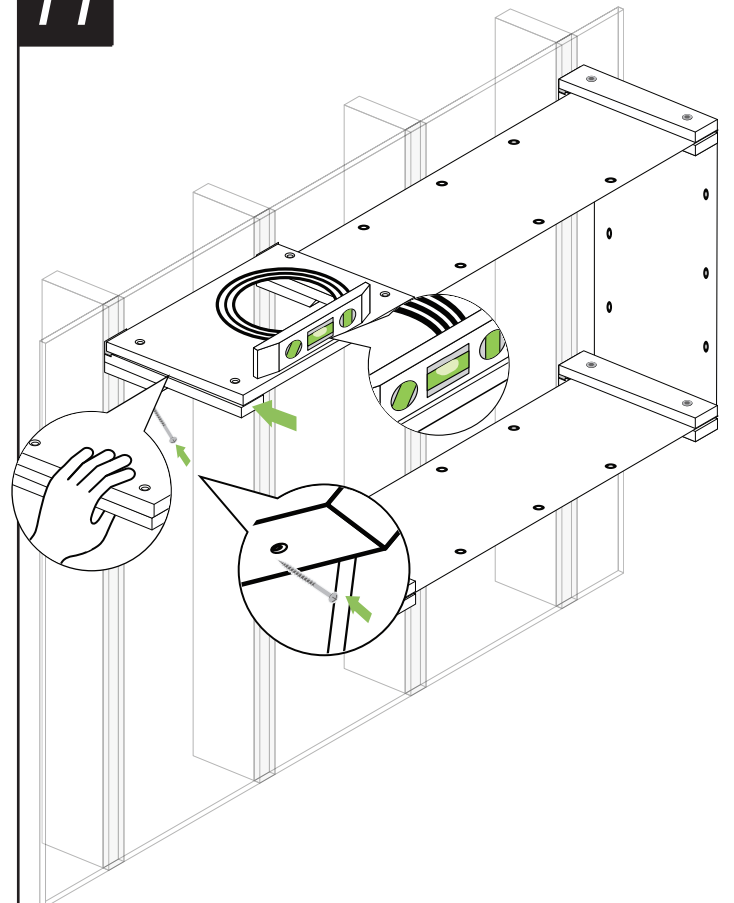
9



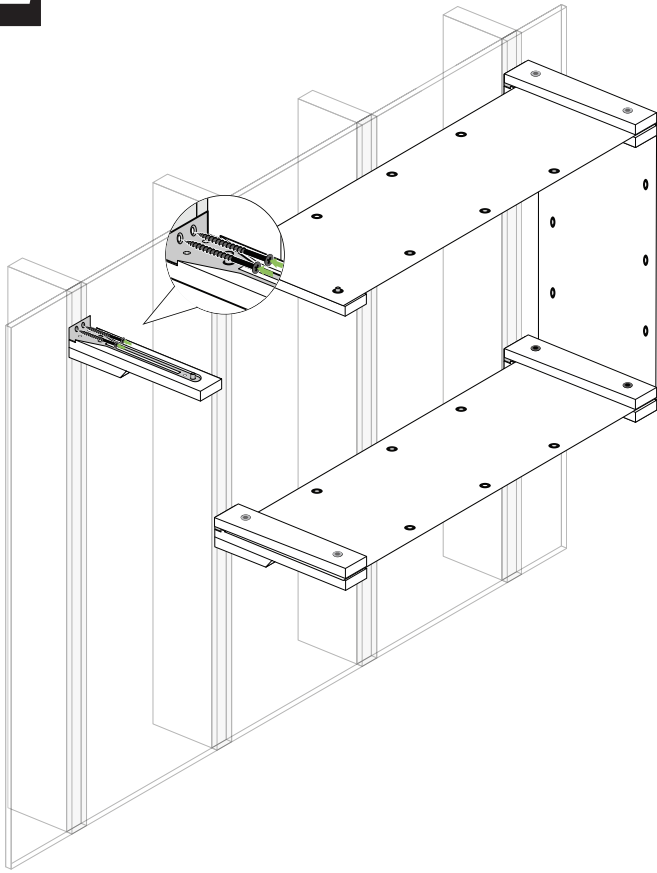
10



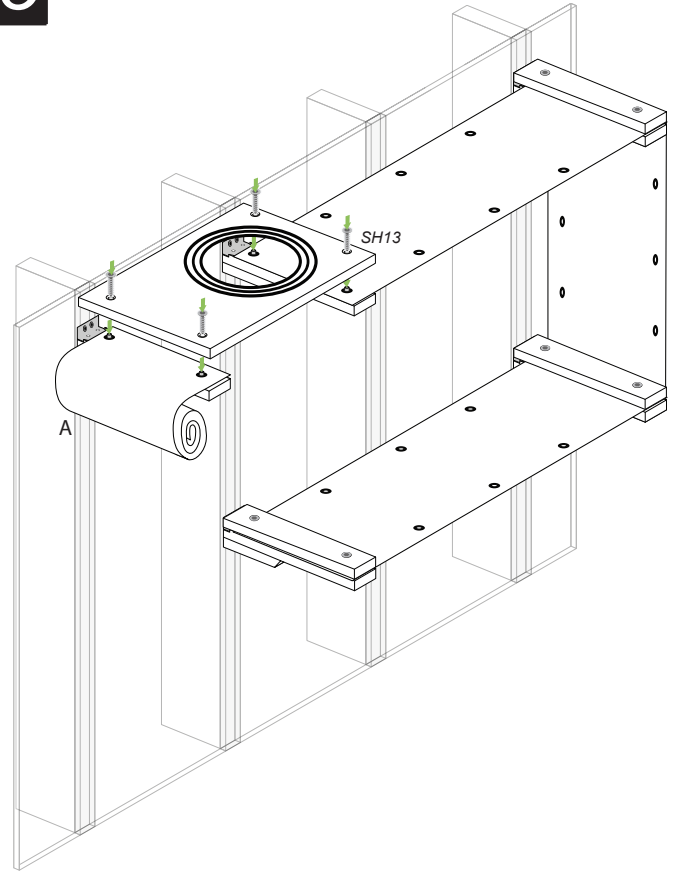
11



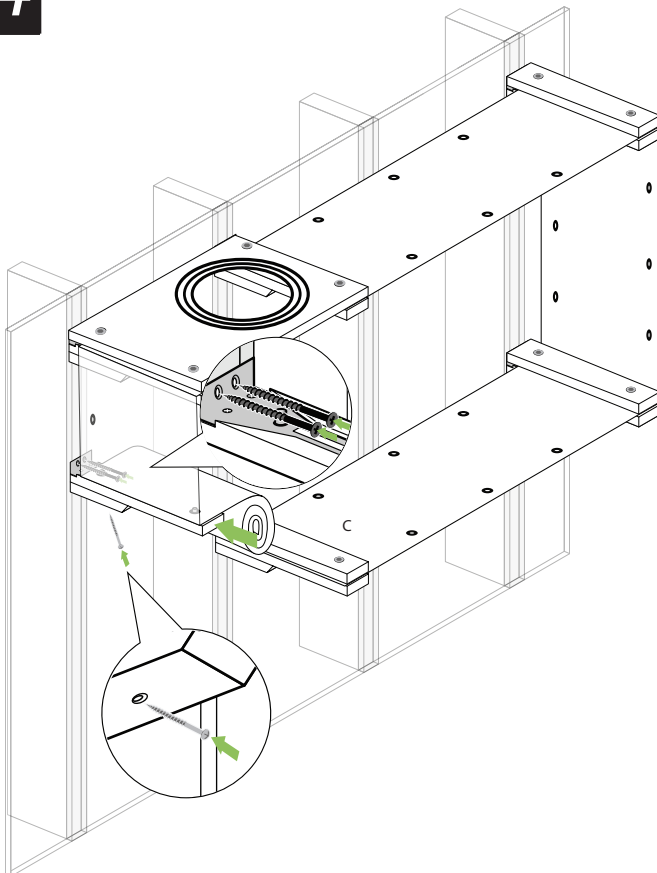
12



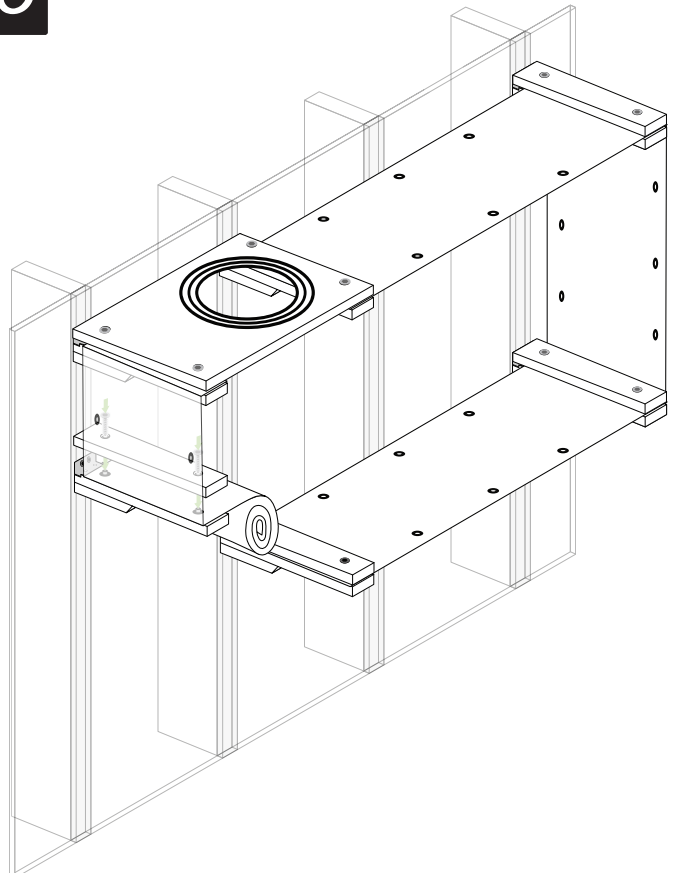
13



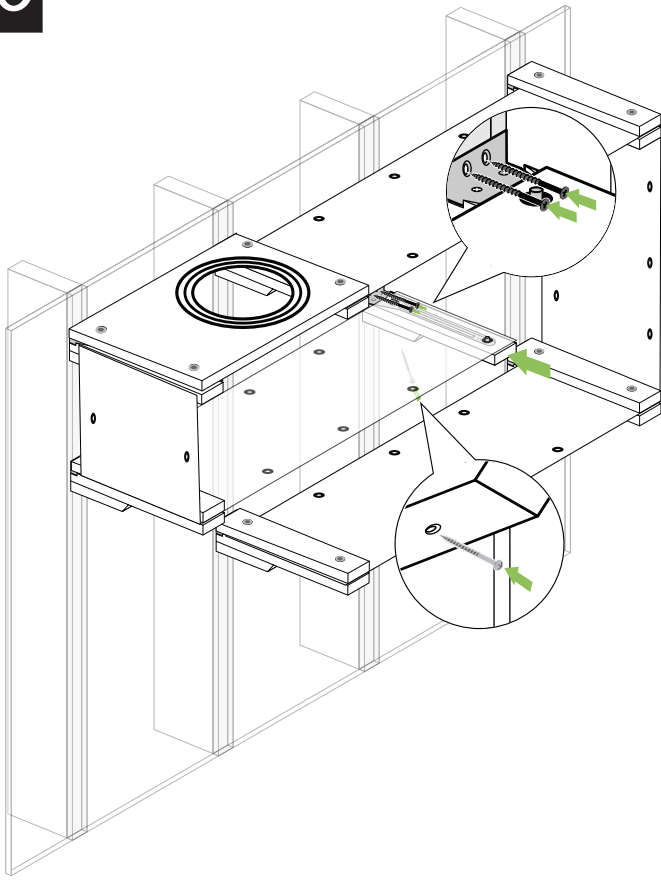
14



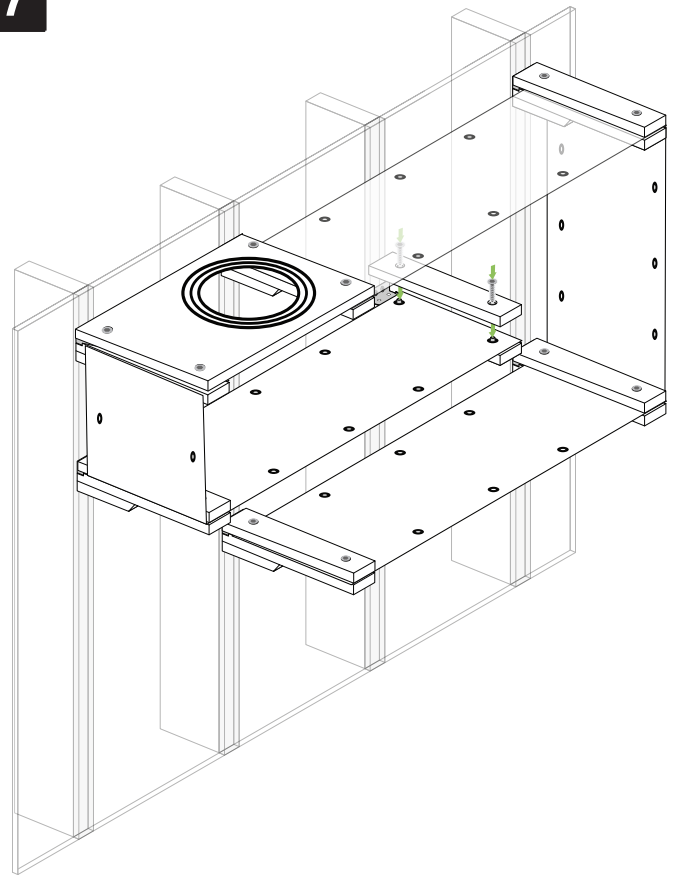
15



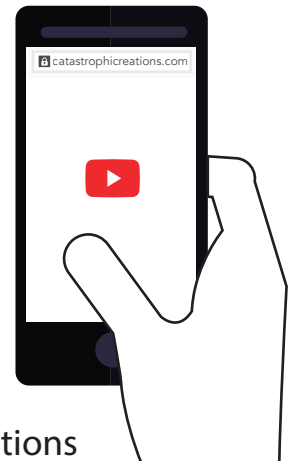
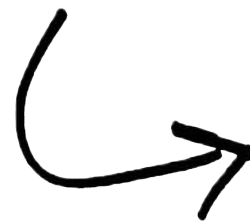
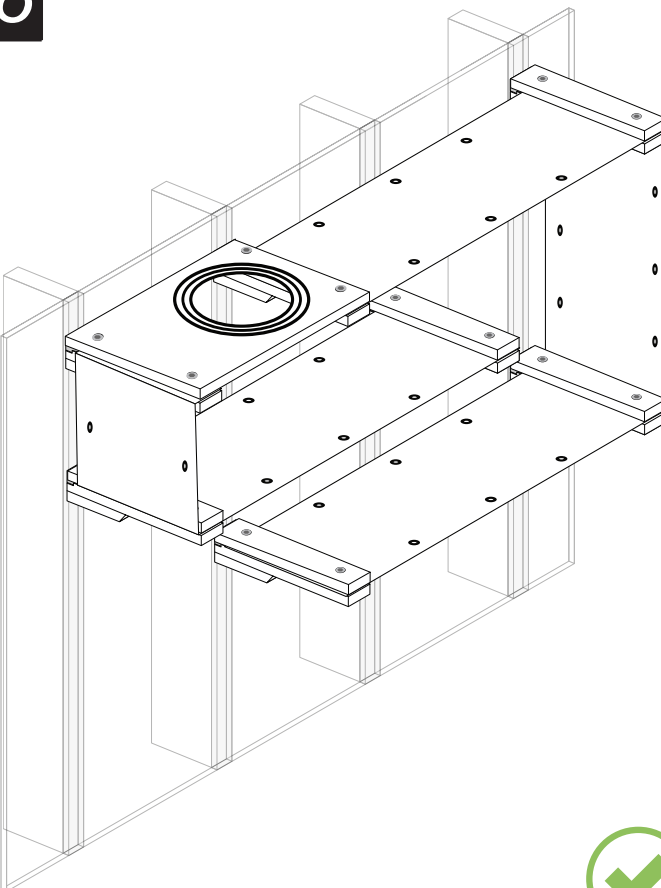
16



17



18



Scan QR code for
video mounting instructions

Additional Info

Acclimating your cat

Positive reinforcement, like offering treats, sprinkling catnip or incorporating the shelving into playtime can help your cats quickly acclimate to their new furniture. If the furniture is bouncy or unstable, double-check that the furniture is firmly installed into studs.

Washing your fabric

Fabric can be easily removed while leaving the plank bottoms on the wall. Simply unscrew the furniture tops and remove the fabric, machine wash on cold and hang dry or tumble dry on low.



About us

Our company started as a hobby in 2013, building fun furniture ideas for our cats at home. We built an Indiana Jones-style cat bridge and after seeing how much our cats liked it, we decided to try selling them online. We started without any investment, building all the furniture from our third story apartment, cutting all the wood in our spare bedroom after our downstairs neighbor went to work. We now have an amazing crew of 30 and are in our fourth facility, our largest yet. We're constantly striving to innovate the design and increase the quality of our unconventional cat furniture.

We would love to hear your feedback

A lot of our success has come from listening to our customers (and their cats). It means a lot to us and we would really appreciate hearing from you. If you are enjoying your furniture, we would appreciate it if you took the time to leave a review. If not, let us know what kind of issues you're experiencing and we'll do everything we can to help resolve them. Hearing about issues is really helpful for us because it helps us to understand what we still need to work on. Thanks!



CATASTROPHIC
CREATIONS

Have mounting issues?

If you are running into mounting issues and are in need of some support, please feel free to contact us at support@catacreations.com or (616) 583 - 8143.



Join us on social media

Please join us on social media to see our upcoming special events and sales, see exclusive sneak peeks, offer behavioral advice from experts & more.

@Catastrophiccreations

