

MOUNTING GUIDE

The Crow's Nest

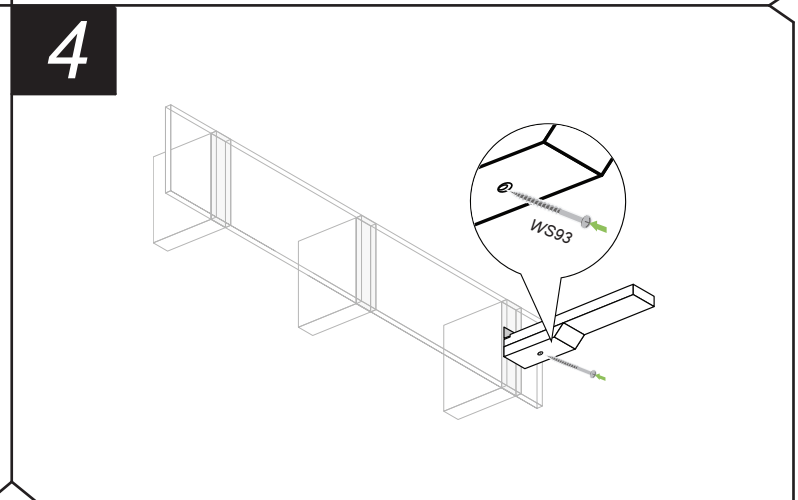
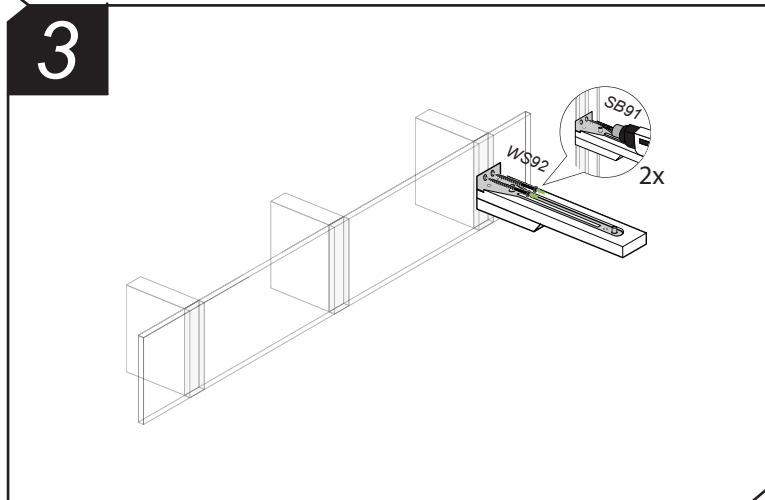
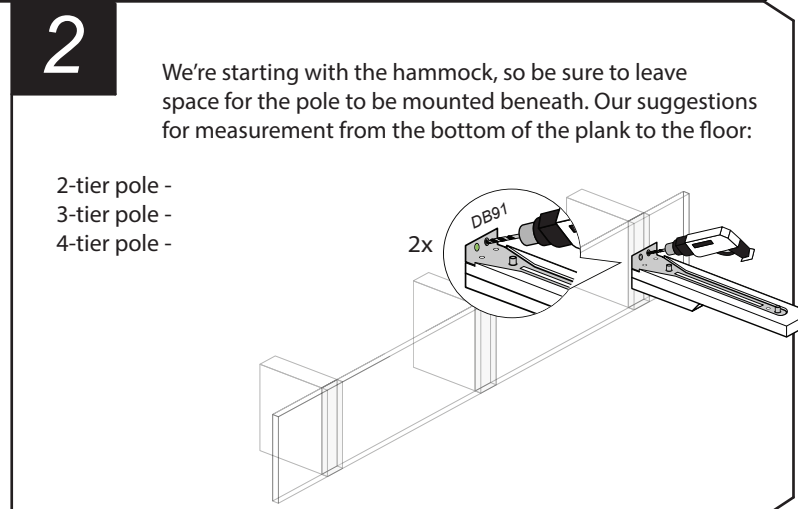
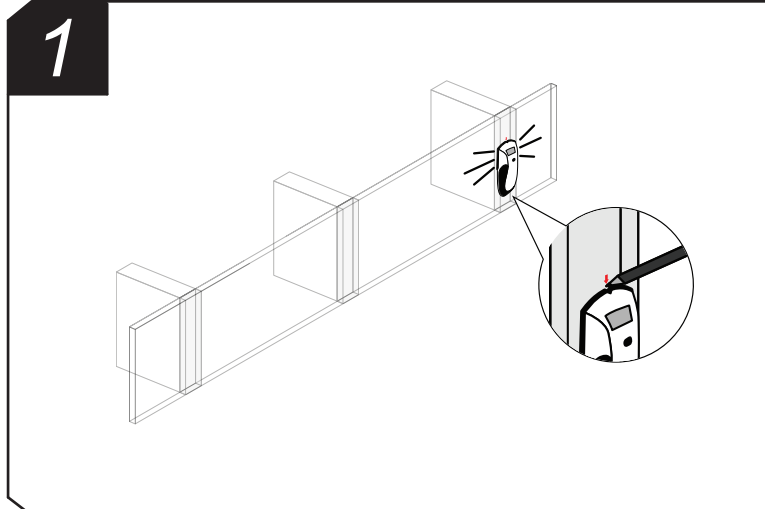
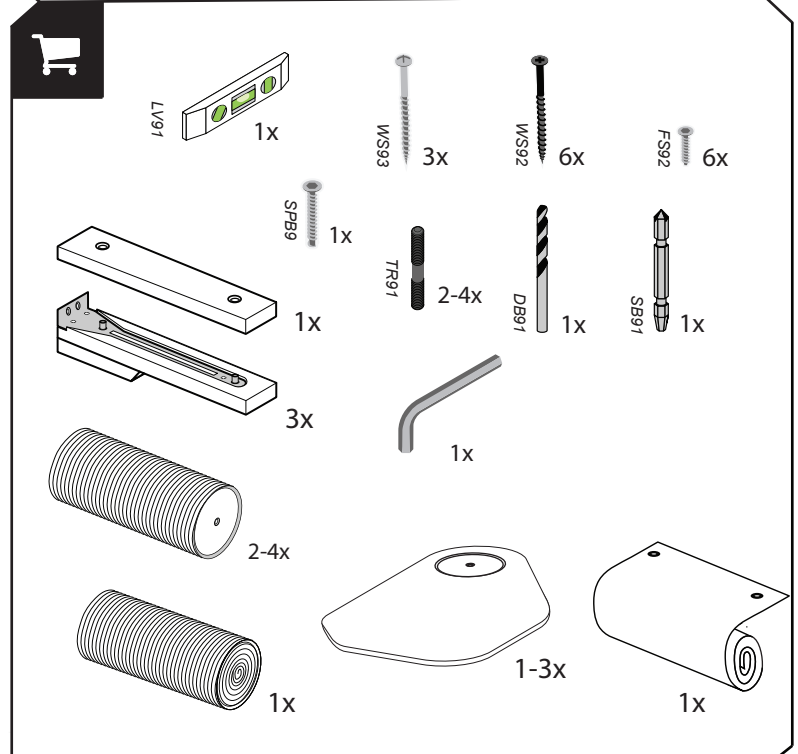
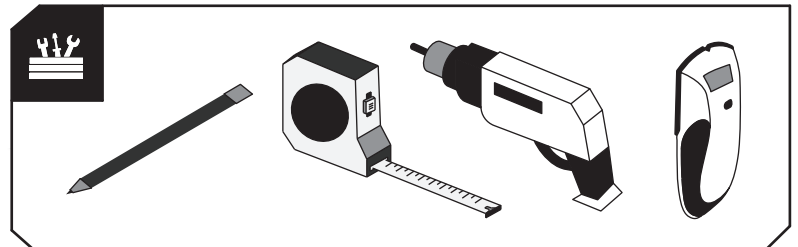


CATASTROPHIC
CREATIONS

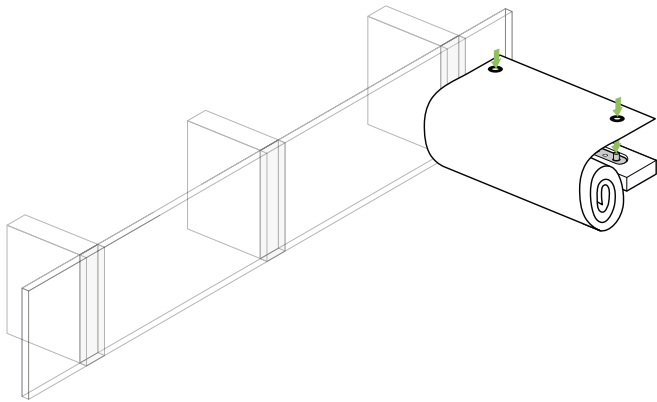
The Crow's Nest



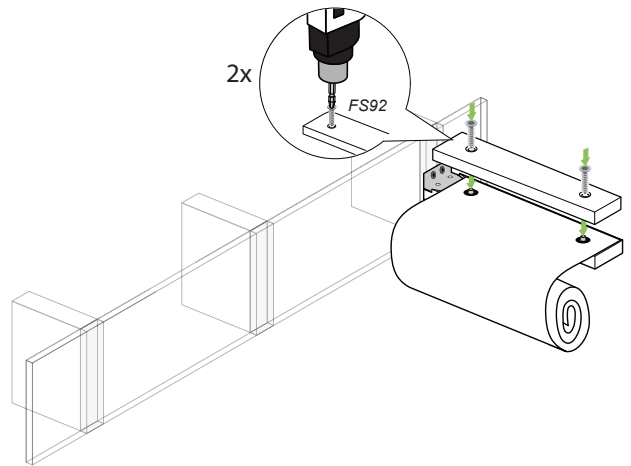
Please keep in mind that this product is sold in several different variations and depending on the length of the hammock and the height of the scratching pole you chose, the inventory will be different to reflect those selections.



5



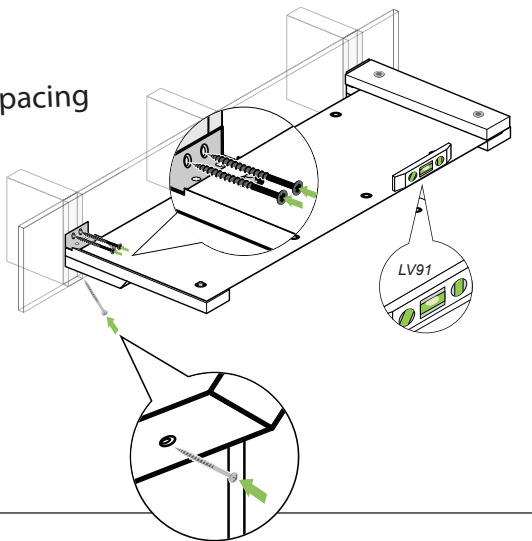
6



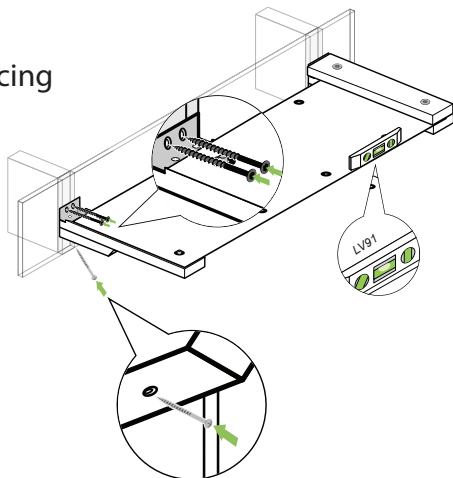
7

Depending on the length of fabric you choose, pull the fabric taut to either 16", 24", or 32" to line the plank up to the stud and install it using the included hardware.

16" stud spacing



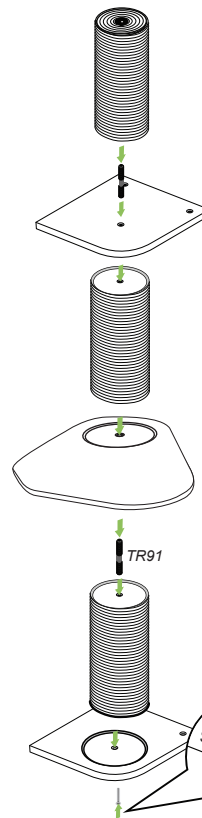
24" stud spacing



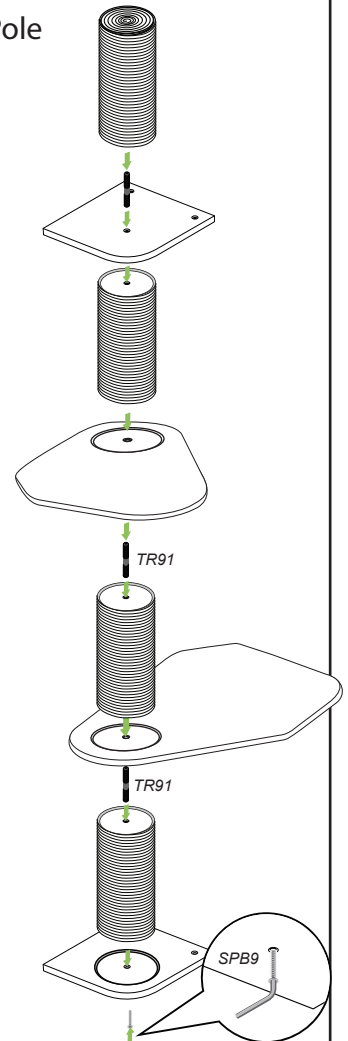
8

The scratching pole is available at different heights. Below are examples of two of those options.

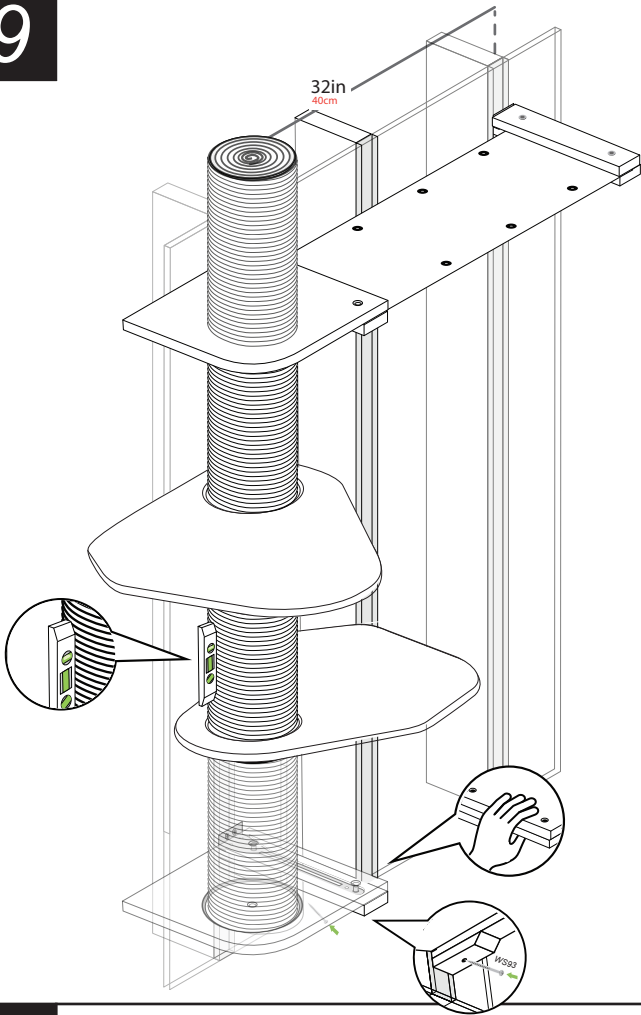
2 Tier Pole



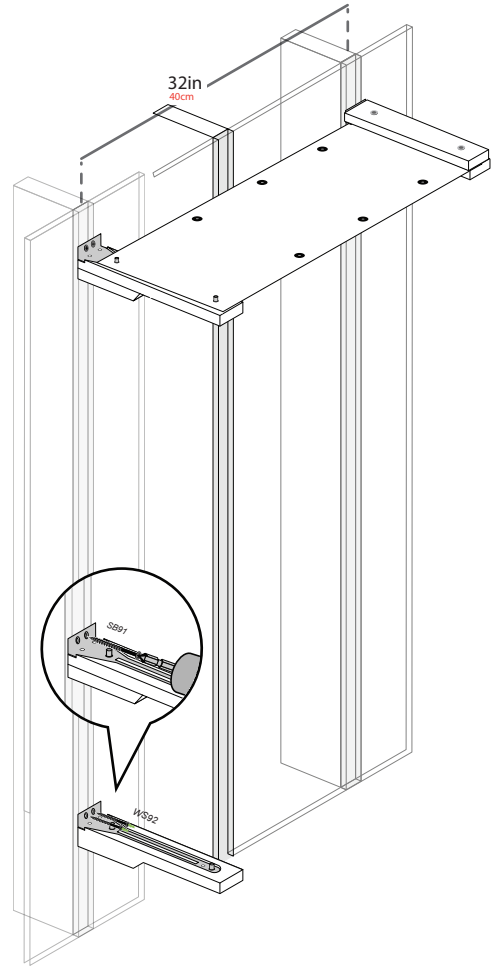
3 Tier Pole



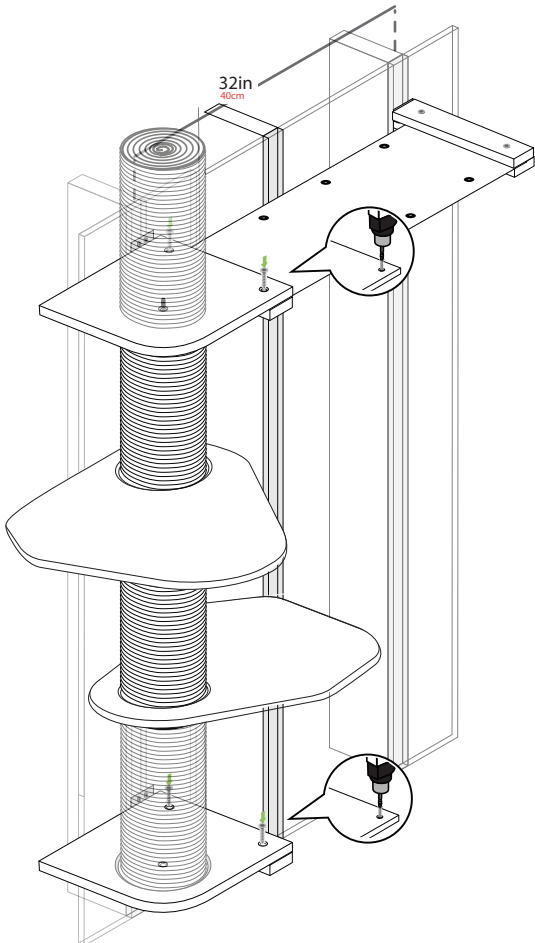
9



10



11



12

