

INSTALLATION GUIDE

The Crossroads Condo



CATASTROPHIC
CREATIONS

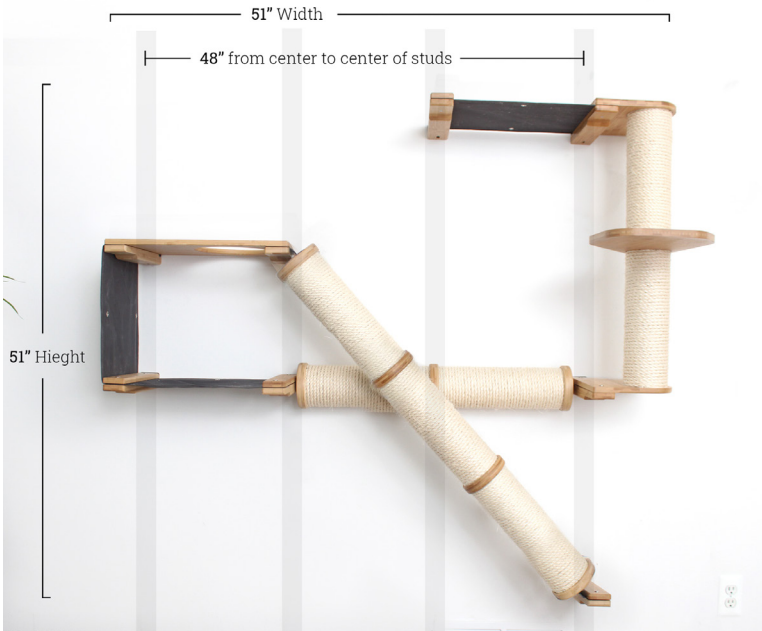
The Crossroads

✓ Choosing the Best Room

When deciding on a room to install your cat's new furniture, consider a room they already frequent or where people gather. Most cats are social and prefer rooms like bedrooms and living rooms.

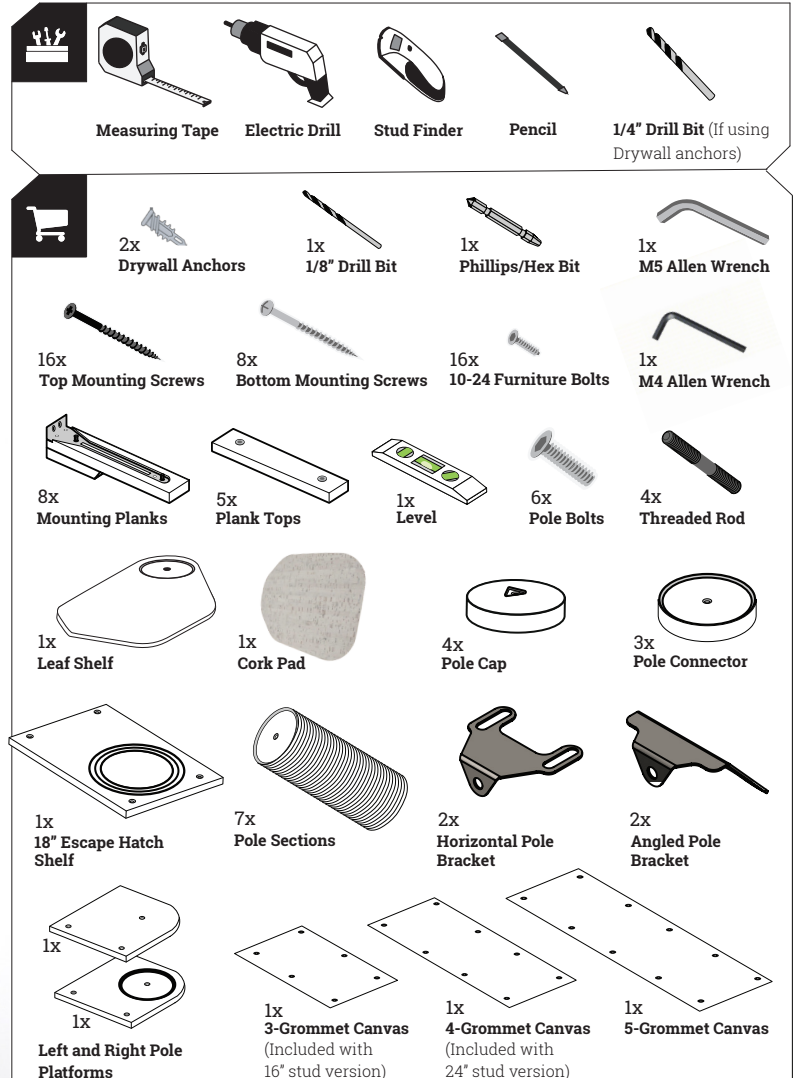
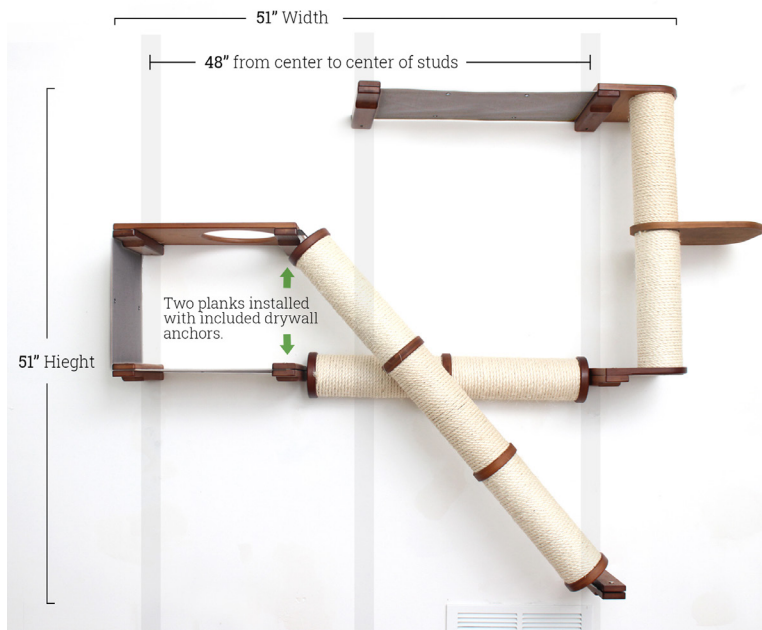
16" Stud Spacing

The following instructions show the process of installing the Crossroads into 4 studs spaced at 16" apart on center.



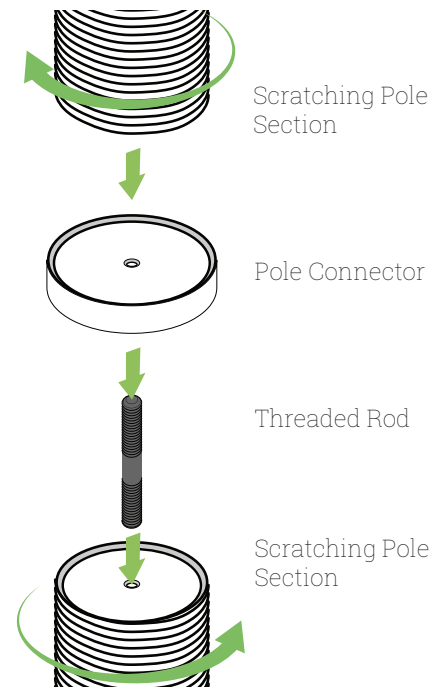
24" Stud Spacing

If you have studs spaced at 24" on center, you can use 3 studs to install the condo as shown below. We've marked the two mounting planks where you will need to use a 1/4" drill bit and included drywall anchors in the top two bracket holes.



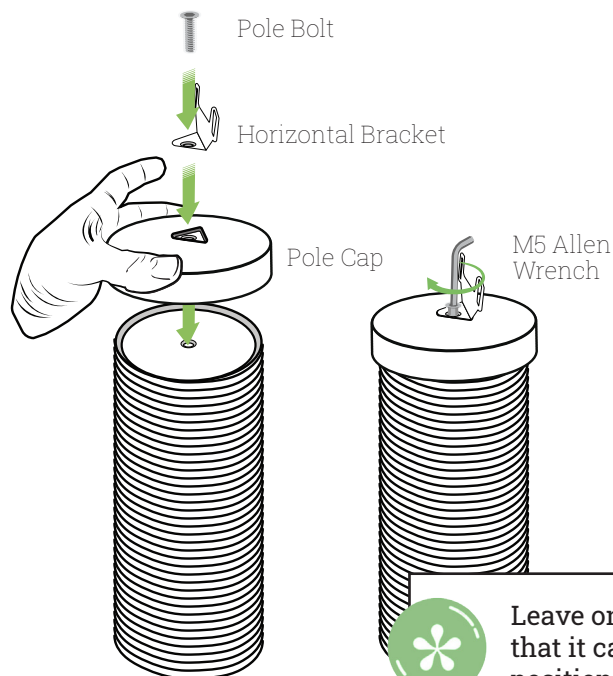
1

Assemble each **Pole Section** by screwing them together on a **Threaded Rod** with a **Pole Connector** sandwiched between each section. Be sure to tighten each section until firm, but do not over-tighten or it can pull threaded inserts from the plastic caps. Two **Pole Sections** will be using a **Leaf Shelf** in place of the **Pole Connectors**.



2 Horizontal Pole

Cover one end of the Scratching Pole with a **Pole Cap**. Set the **Horizontal Bracket** in the inset and screw a **Pole Bolt** down through both pieces using the **M5 Allen Wrench**. Repeat for the other **Pole Cap***

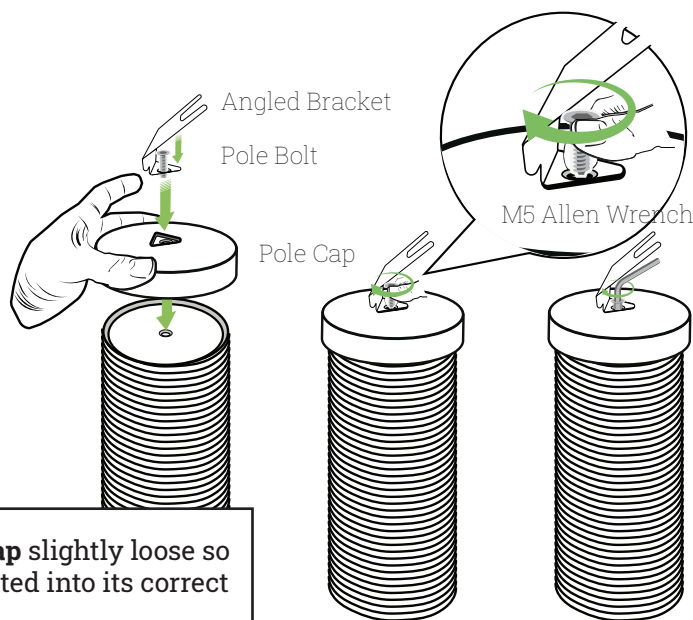


Leave one **Pole Cap** slightly loose so that it can be rotated into its correct position in Step 7.

3 Angled Pole

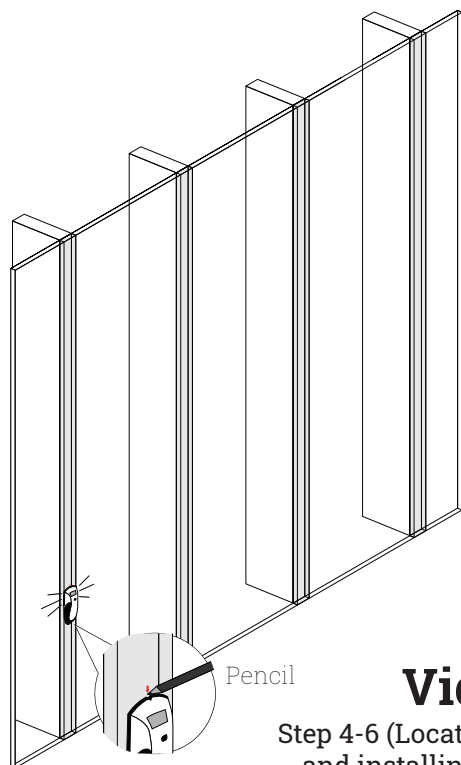
Cover one end of the Scratching Pole with a **Pole Cap**. Set the **Angled Bracket** in the inset. Begin twisting the **Pole Bolt** by hand, then tighten it the rest of the way using the **M5 Allen Wrench**.

Because of the odd shape of this bracket, it's easiest to start the **Pole Bolt** by hand, then tightening with the **M5 Allen Wrench**. Repeat for the other **Pole Cap***



4

Locate your studs using a **Stud Finder**. Mark their locations with a pencil or painter's tape.



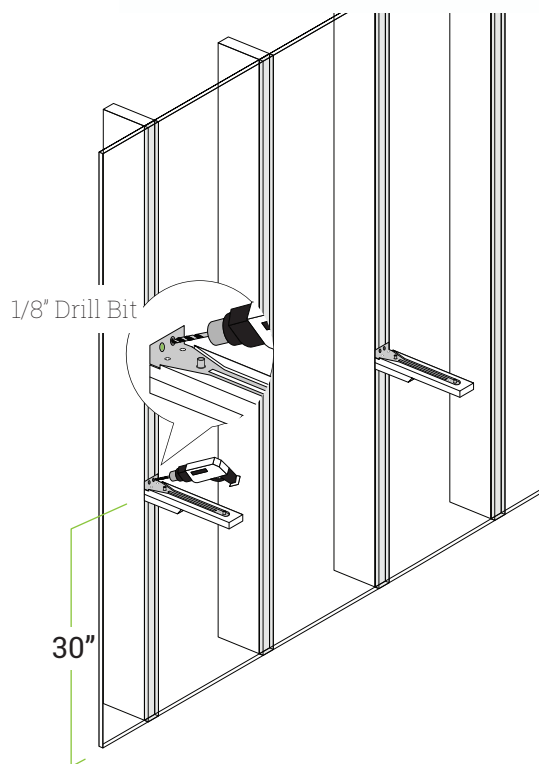
Video Guide

Step 4-6 (Locating a stud and installing a plank)



5

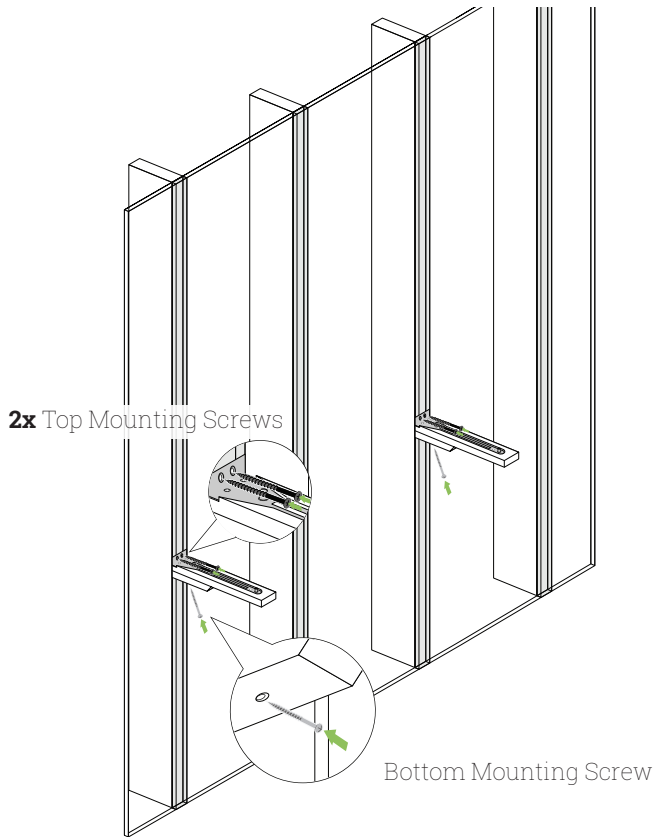
Start with the furthest left stud and center a **Plank Bottom** 30" above the floor. Pre-drill two top bracket holes using the **1/8" Drill Bit**.



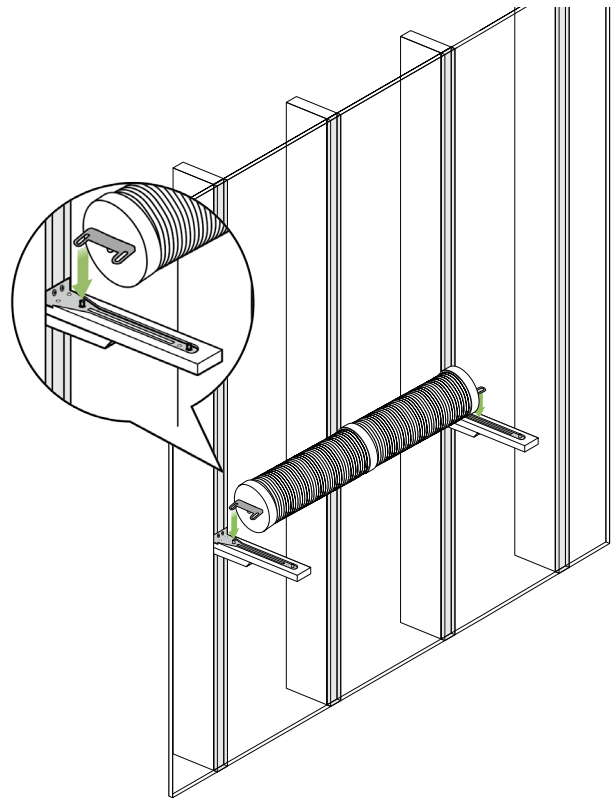
Repeat this process 32" from the starting point, which should align with a stud center.

6

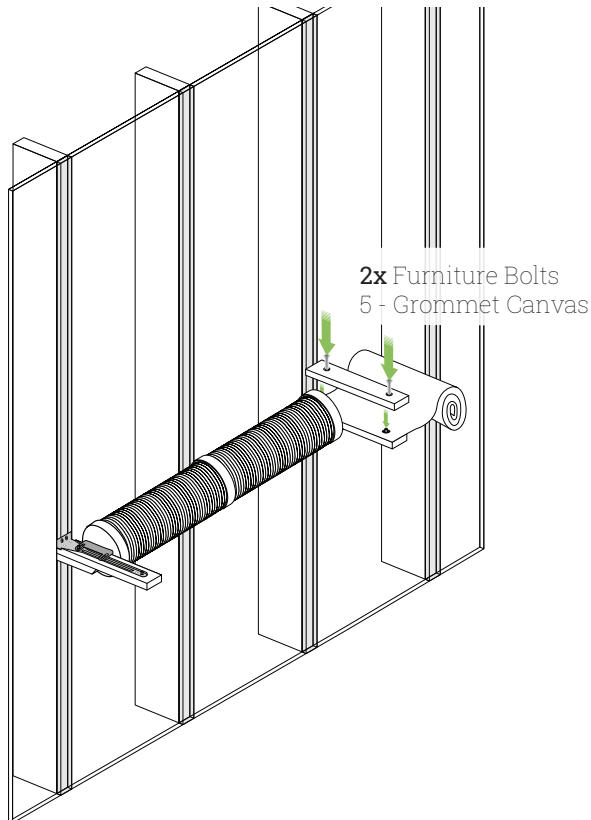
Install two **Top Mounting Screws** in the **Plank Bracket**. Install a **Bottom Mounting Screw** on the underside of the **Plank**. Follow the angle of the opening for the proper hold in the stud.

**7**

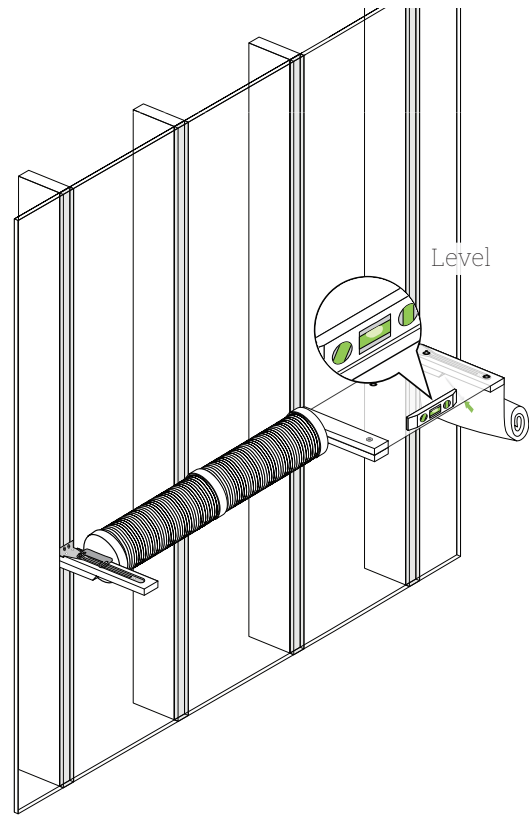
Place the side of the **Horizontal Pole** that has been fully tightened onto the installed **Plank**. Rotate the other end of the **Pole Bracket** to line up with the **Plank** properly. Tighten the bracket to secure its position using the **M5 Allen Wrench**.

**8**

Place a **5-Grommet Canvas** section over the metal bracket posts. Hold the fabric in place on the mount with a **Plank Top**. Install two **Furniture Bolts** with the **Allen/Phillips Bit**.

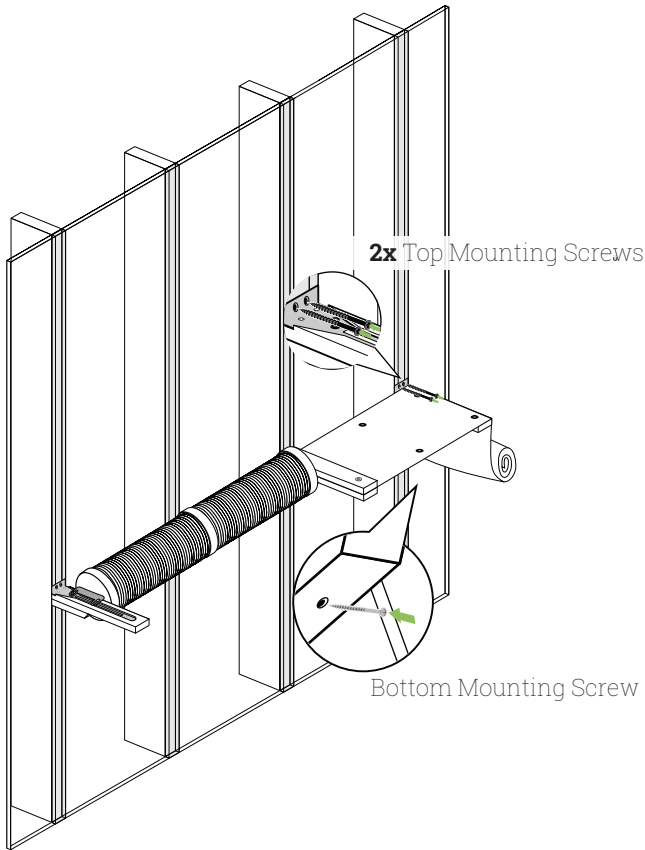
**9**

Using a **Mounting Plank** attached to the second set of grommets, stretch the **Canvas** to the next stud to locate the **Mounting Plank** position. Use the **Level** to ensure the Hammock is even.



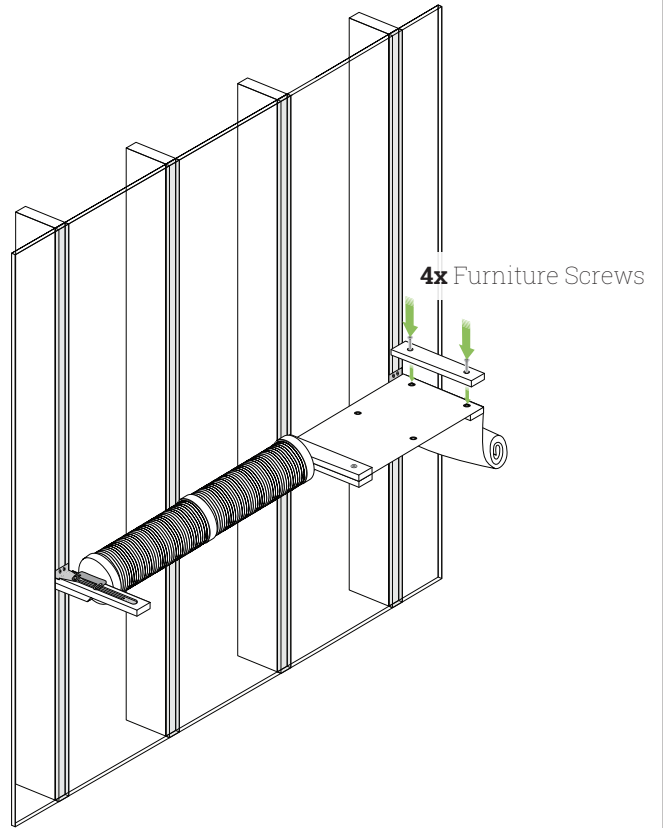
10

Install two **Top Mounting Screws** in the **Plank Bracket** and a **Bottom Mounting Screw** through the underside of the **Plank**.



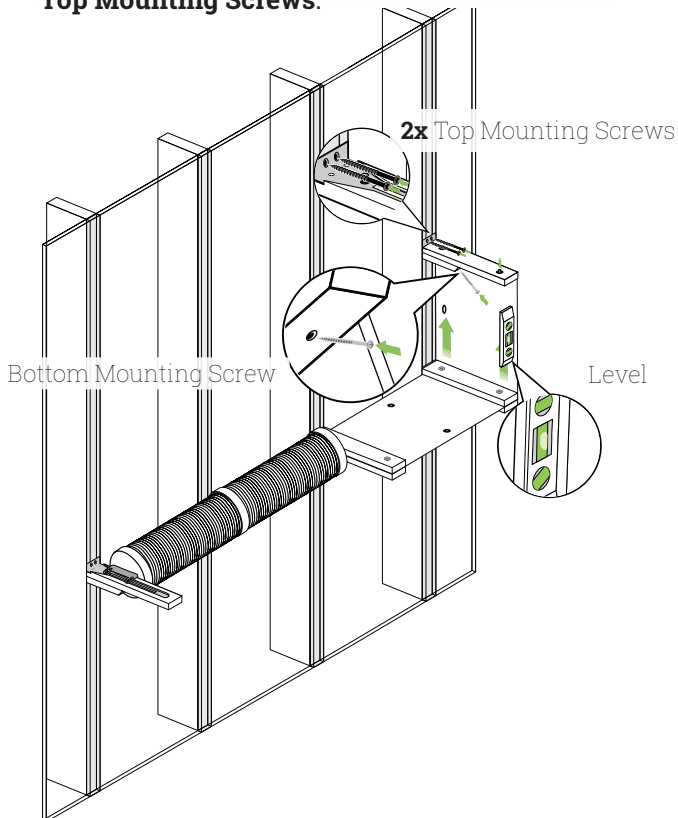
11

Place a **Plank Top** on each **Plank Bottom** and install two **Furniture Screws** with the **Allen/Phillips Bit**.



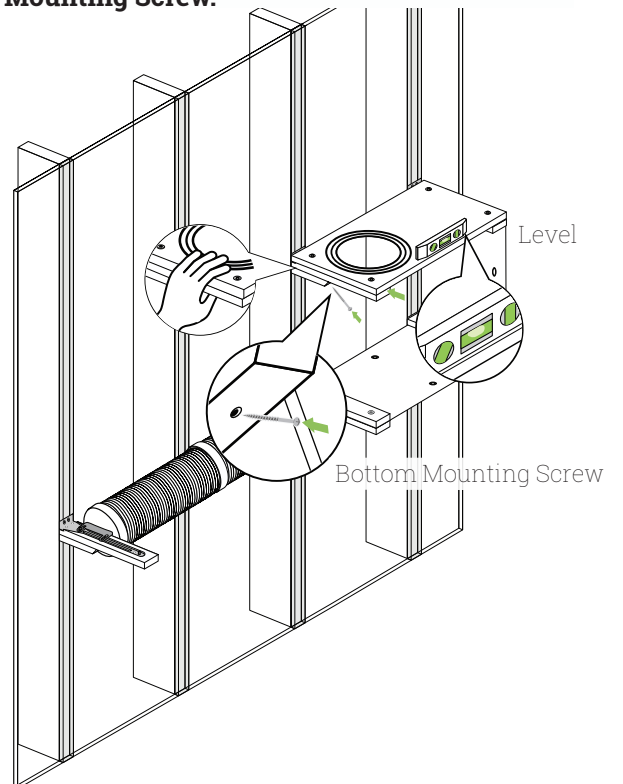
12

Stretch the fabric vertically along the stud to find the position for the next **Mounting Plank**. Install the **Bottom Mounting Screw**, then install two **Top Mounting Screws**.



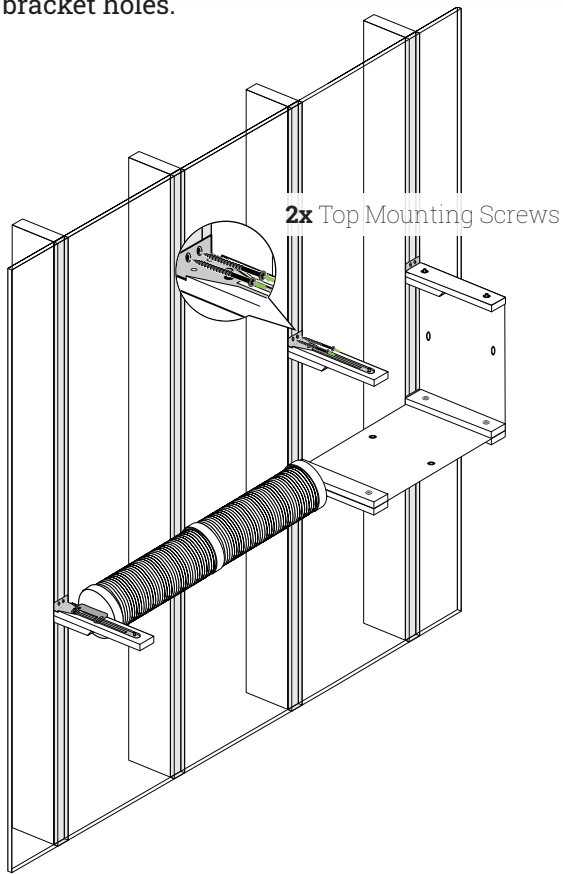
13

Use the **18" Escape Hatch Shelf** to measure the distance to the next stud. Hold the **Escape Hatch Top** in place against the wall on a **Mounting Plank**. Use the **Level** to make sure the **Shelf** lies flat on the **Mounting Plank**. Install the **Bottom Mounting Screw**.



14

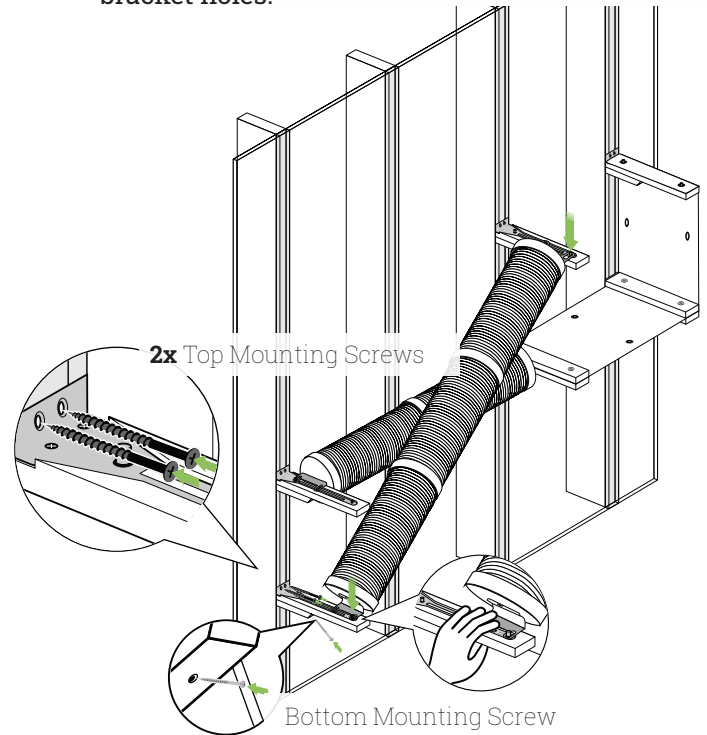
Remove the **Escape Hatch Top** and install two **Top Mounting Screws** through the mounting bracket holes.



15

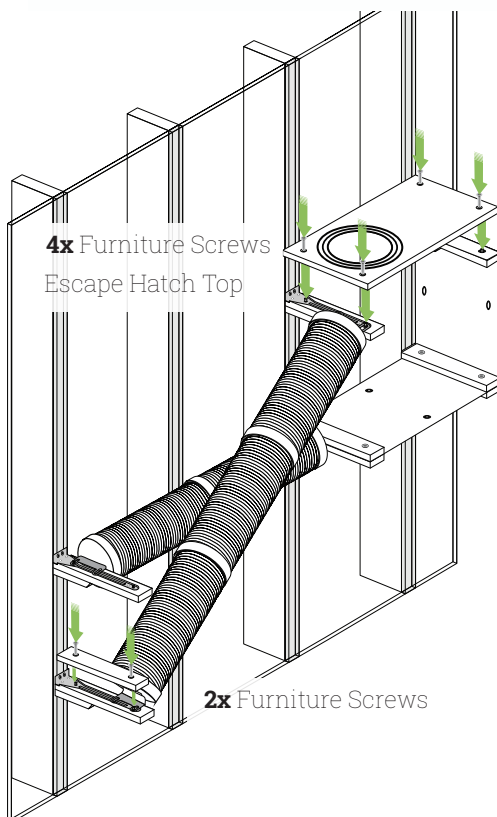
Use the **Angled Pole** to measure the distance to the next stud. This stud is the same one used for the **Horizontal Pole**. Install the **Bottom Mounting Screw**.

Remove the **Angled Pole**. Install two **Top Mounting Screws** through the mounting bracket holes.



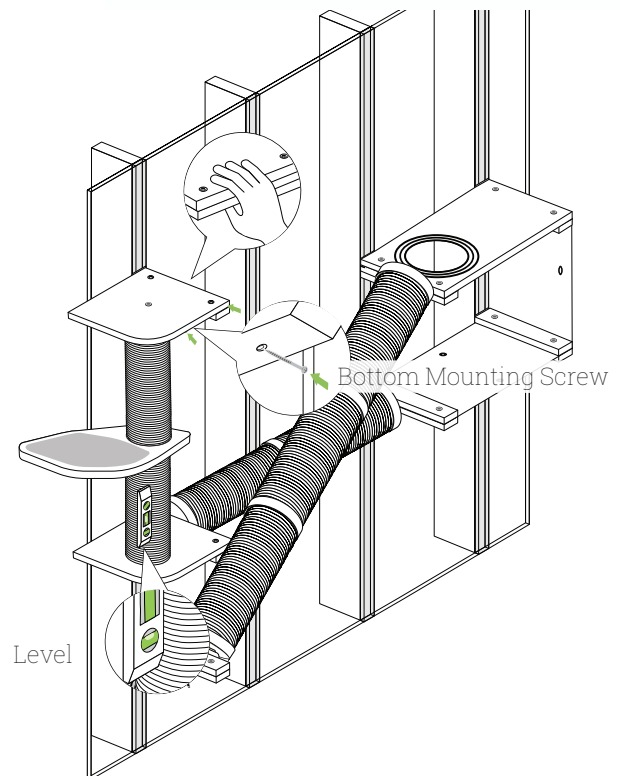
16

Place the **Angled Pole** back on the **Mounting Plank**. Then, lower the **Escape Hatch** and **Plank Top** into place. Tighten down each set of **Furniture Screws**.



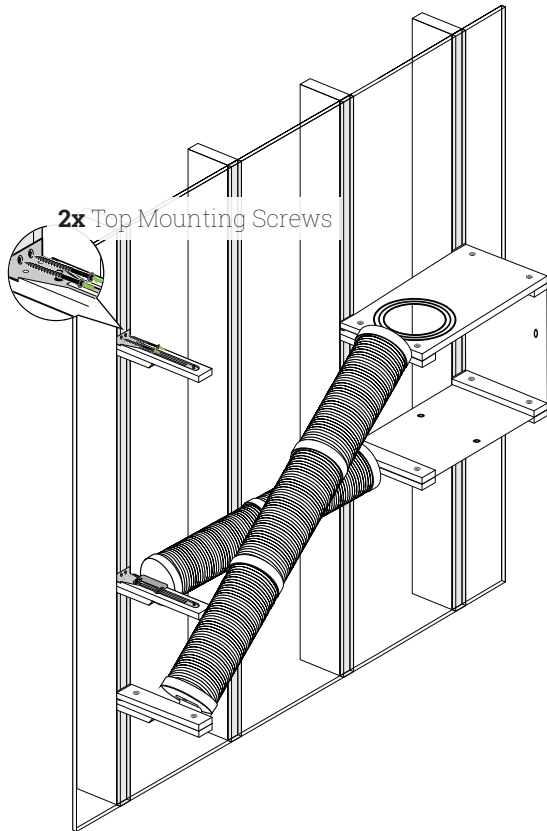
17

Place the **Vertical Pole** on the bottom **Mounting Plank** to find the distance to the top **Mounting Plank**. Use the **Level** to ensure the Pole is vertical. Once you locate the next **Plank** location, install the **Bottom Mounting Screw**.

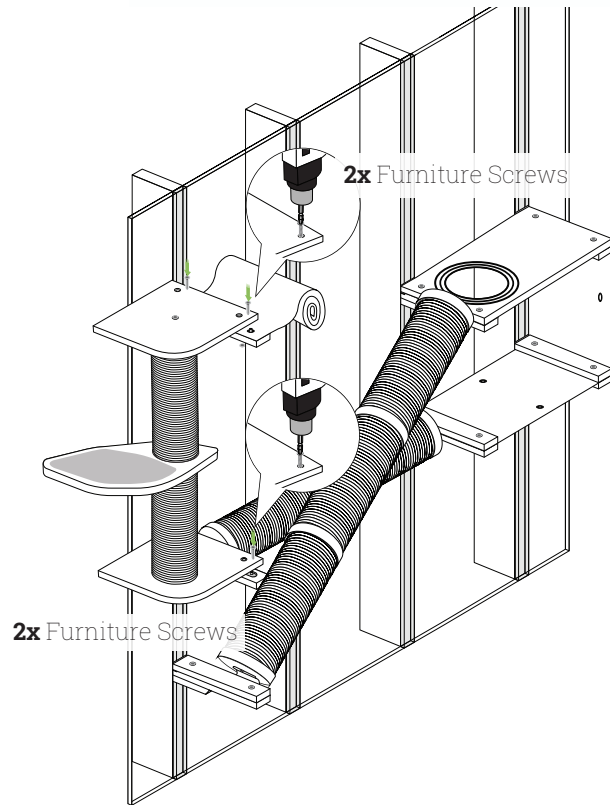


18

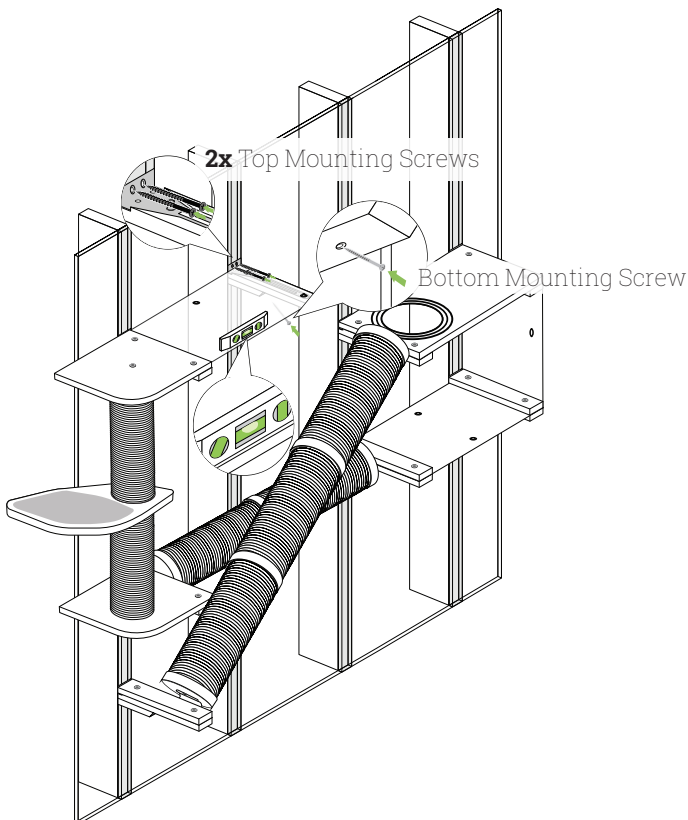
Remove the **Scratching Pole**. Install two **Top Mounting Screws** through the mounting bracket holes.

**19**

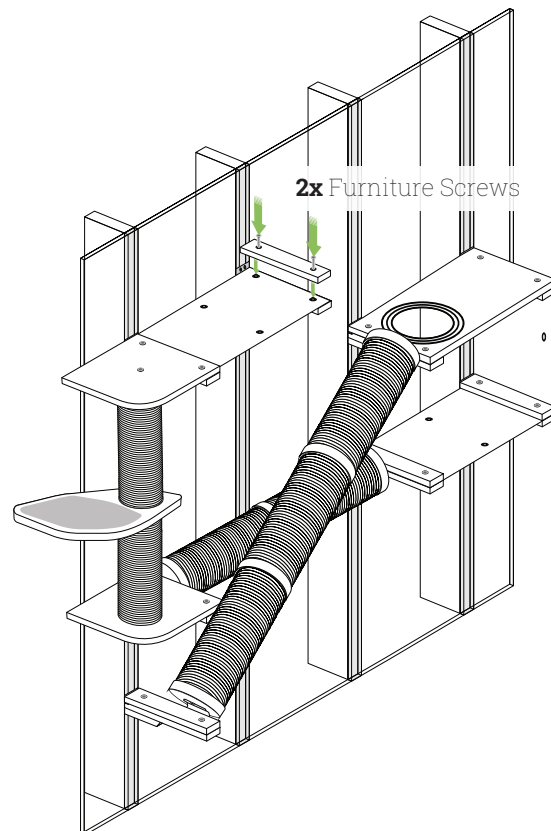
Align the **3-Grommet Canvas** Section on the **Mounting Plank**, then place the **Vertical Pole** on the Planks, sandwiching the fabric between the Pole and the Plank. Install two pairs of **Furniture Screws** to fasten down the **Vertical Pole**.

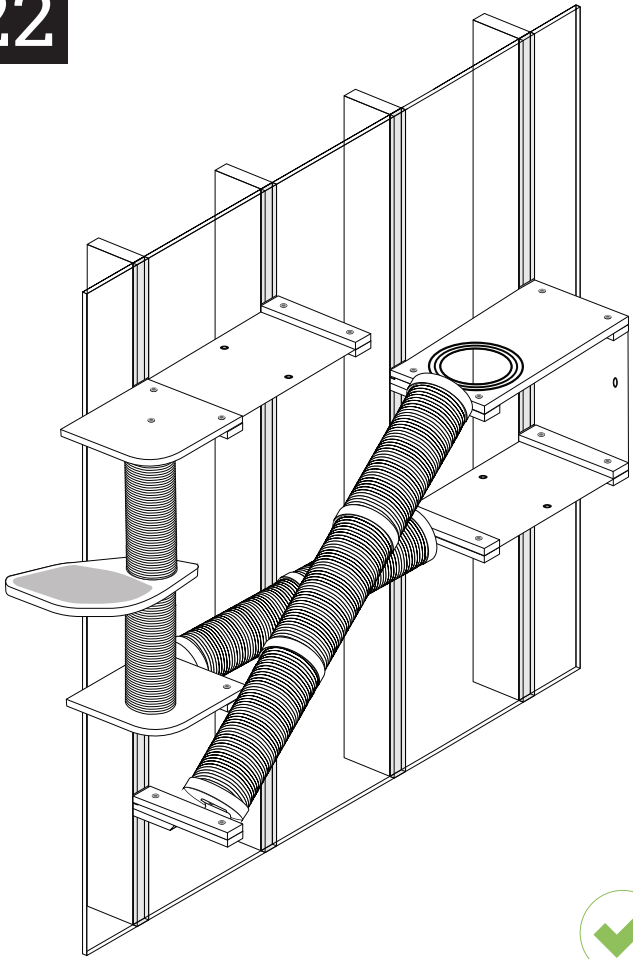
**20**

Stretch the **3-Grommet Canvas** to the next stud to locate the **Mounting Plank** position. Install the **Bottom Mounting Screw** and **Top Mounting Screws**.

**21**

Place the **Plank Top** and install two **Furniture Bolts** with the **Allen/Phillips Bit**.





Scan QR code

for additional installation resources & videos



Get in Touch!

📞 (616) 583-8143

✉️ support@catastrophiccreations.com

Customer Service Available
Monday- Friday
Hours: 8am-4pm EST



CATASTROPHIC
CREATIONS



Acclimation Tips

Now that your cat's new furniture is up, you want to give your cat positive reinforcements so they will relate the area to good things. We highly suggest incorporating things like catnip, playtime, or giving them treats from their new furniture. Any time we get treats out, our cat Heisenberg jumps onto a wall complex because that's where we always feed him treats.