

# INSTALLATION GUIDE

## The Corner Bridge



CATASTROPHIC  
CREATIONS

## Review your Order

Have a look at our inventory to be sure everything has been included. Separate the hardware into piles and make sure you have received everything needed.

## Choose your Room & Space

Consider picking a room that your cat already frequents regularly. Cats are social creatures and are more likely to explore the furniture in a room where people like to gather. Living rooms and bedrooms are typical spaces for our furniture.

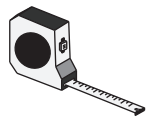
## Have Questions?

Please feel free to reach out over email or by phone. We're available to help Monday-Friday from 8 am - 3 pm ET.

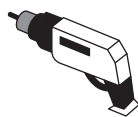
✉ [Support@CatastrophieCreations.com](mailto:Support@CatastrophieCreations.com)

☎ (616) 583-8143

## Tools Needed



Measuring Tape



Electric Drill



Stud Finder

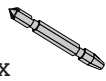


Pencil

## Inventory



1x  
1/8" Drill Bit



1x  
Phillips/Hex Bit



1x  
M5 Allen Wrench



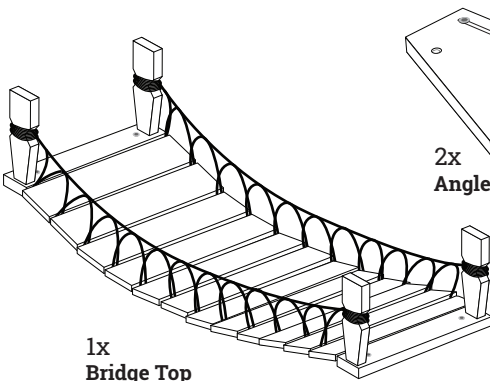
8x  
Top Mounting Screws



4x  
Bottom Mounting Screws

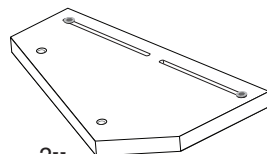


8x  
10-24 Furniture Bolts

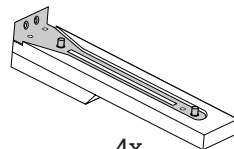


1x  
Bridge Top

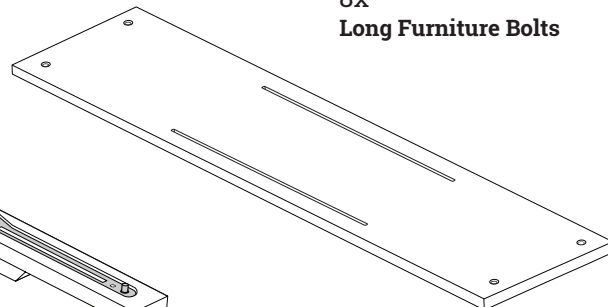
Length depends on which was ordered.



2x  
Angled Platform



4x  
Mounting Planks



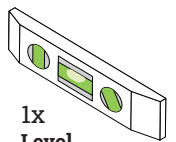
2x  
34" Slotted Shelves



8x  
Long Furniture Bolts



8x  
Cap Nuts



1x  
Level

## Mark your Measurements

Start by using a **Pencil** or painter's tape to mark measurements from the corner out to these measurements on each of the two walls you're using.

These measurements are the maximum space you need to create every layout option available in the specified Bridge size, in both the design picture and in a mirrored fashion. Measuring this expanded space allows you to pick the best layout depending on the location of your wall studs.

If you don't have this amount of space available, look at the following diagrams for your bridge length and choose a layout to fit your wall space.

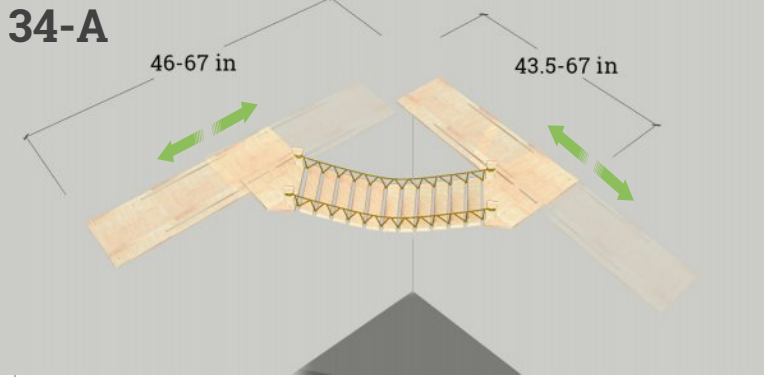
**34" Bridge - 75"**

**50" Bridge - 82"**

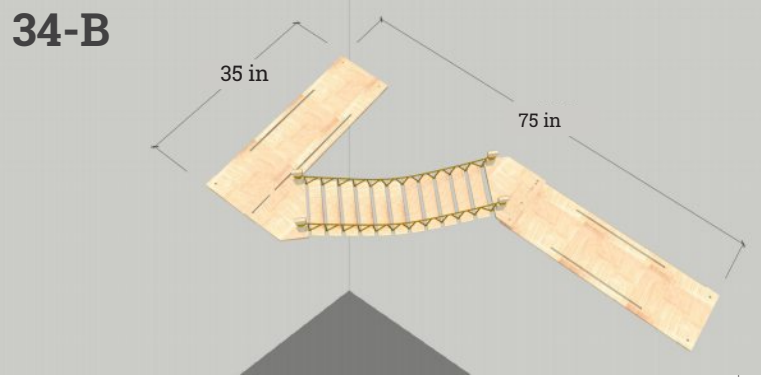
**66" Bridge - 98"**

## 34" Bridge Length Orientations

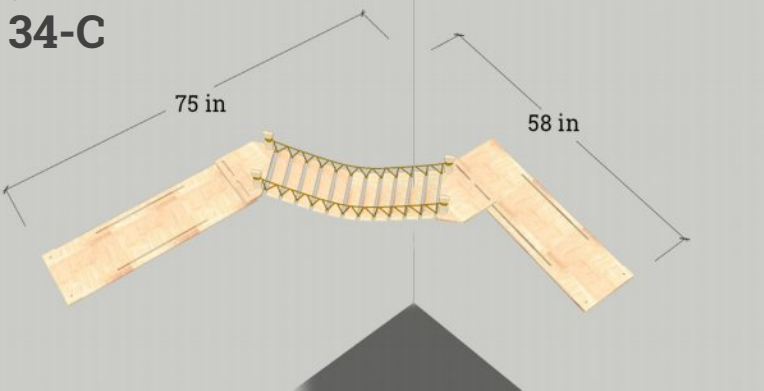
**Easiest** Installation



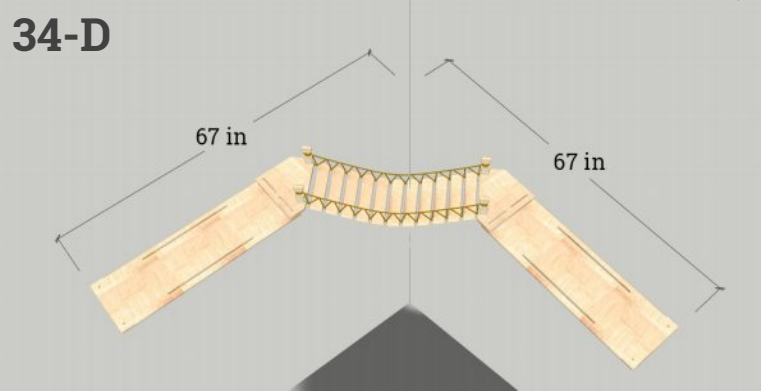
**Moderate** Difficulty



**Moderate** Difficulty

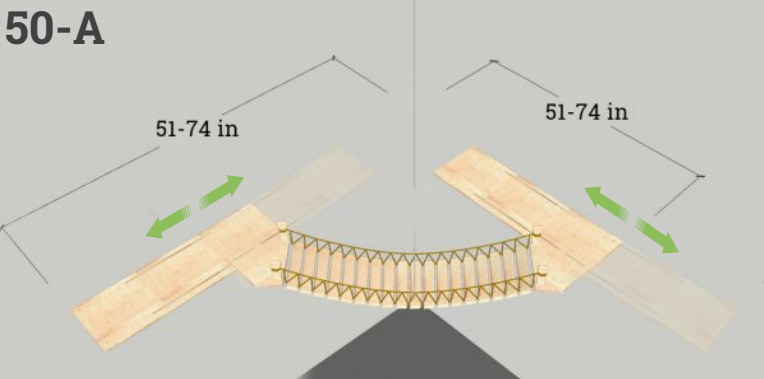


**Advanced** Installation

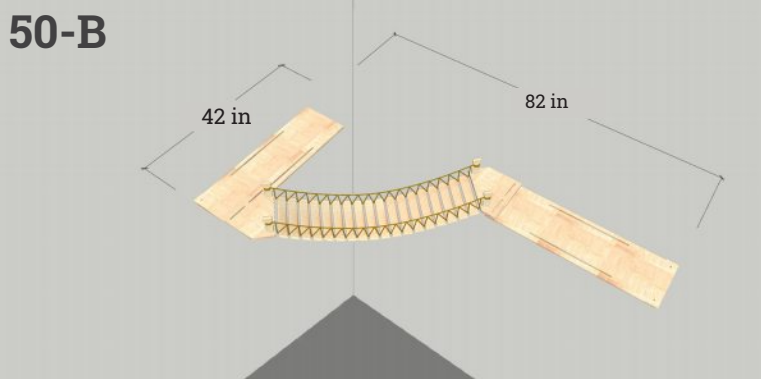


## 50" Bridge Length Orientations

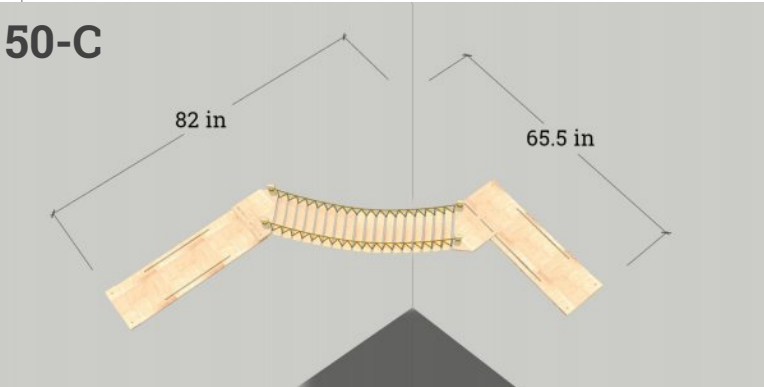
**Easiest** Installation



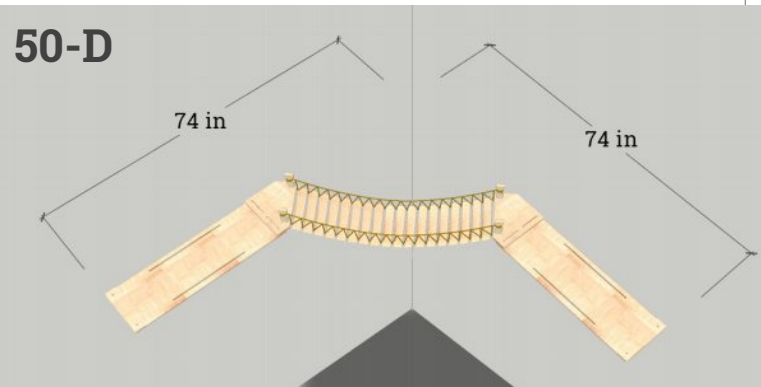
**Moderate** Difficulty



**Moderate** Difficulty



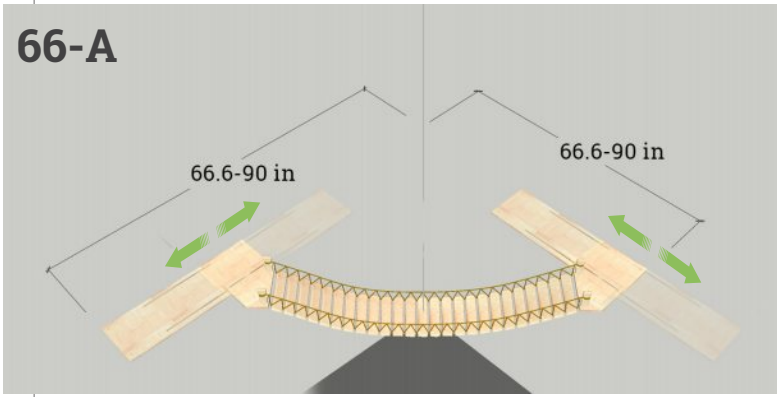
**Advanced** Installation



# 66" Bridge Length Orientations

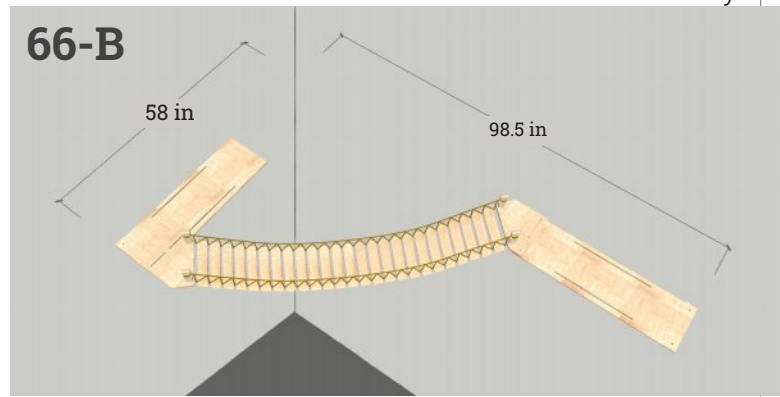
**Easiest** Installation

66-A



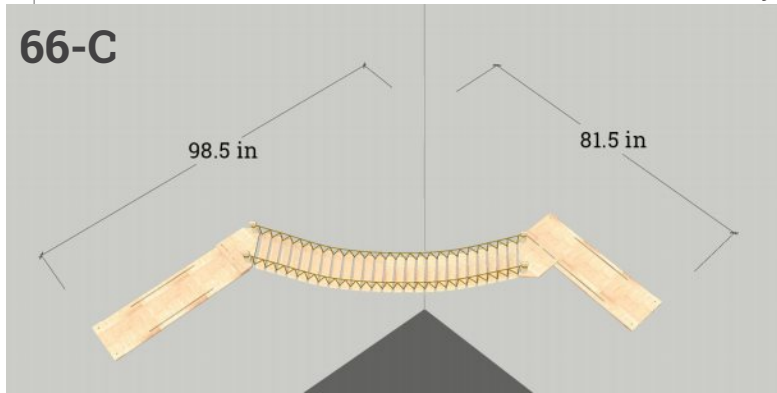
**Moderate** Difficulty

66-B



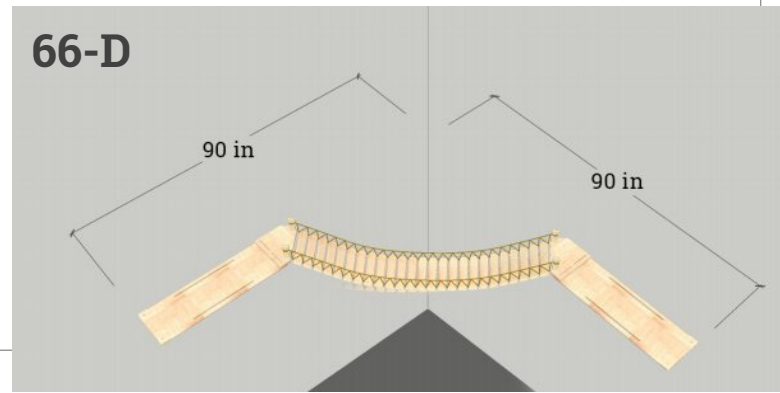
**Moderate** Difficulty

66-C



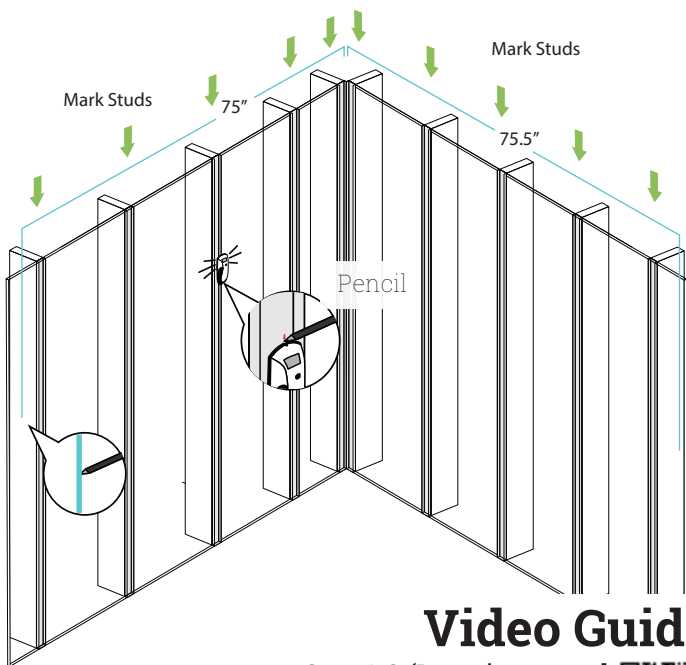
**Advanced** Installation

66-D



1

Since we're showing installation for a **34" Bridge**, we've measured out **75"** from each corner. Next, locate and mark wall studs between the marked space and the corner of the wall.



## Video Guide

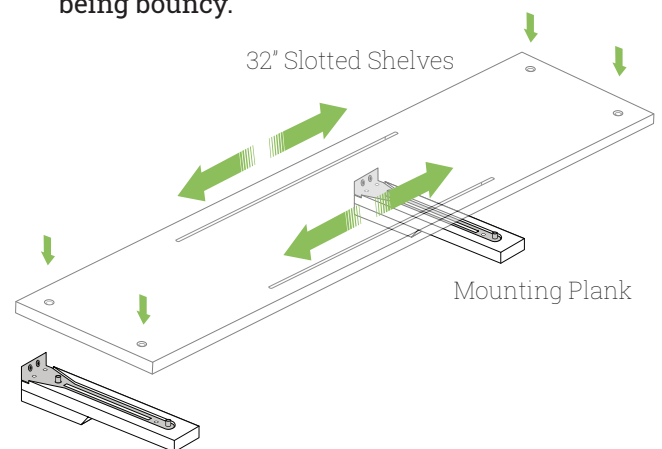
Step 1-3 (Locating a stud and installing a plank)



2

Our **34" Slotted Shelves** connect to the **Mounting Planks** either at the holes in the ends of the Shelves or through the slots in the sides.

Look at the layouts for your Bridge length and compare layout options by holding up a 34" Slotted Shelf to your walls to see where the studs will line up with potential mounting points. Try to find a layout that will allow you to install a Mounting Plank into a stud within 10" of where the Bridge will attach to the Shelf, to prevent the Bridge from being bouncy.

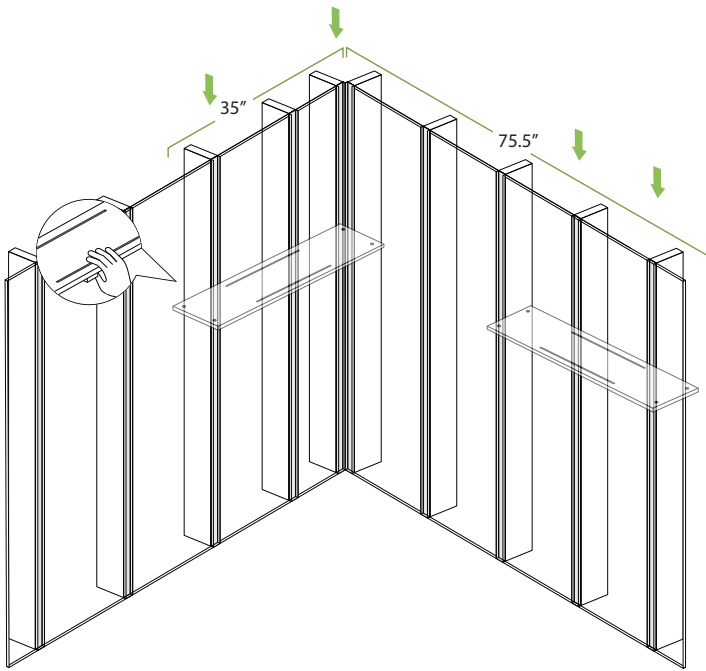


\* If you're new to installing our furniture, consider Layout A. Since the bridge is attached to the side of the Shelf instead of the end, it allows you to mount the Shelves in a wide range of placements on the wall.

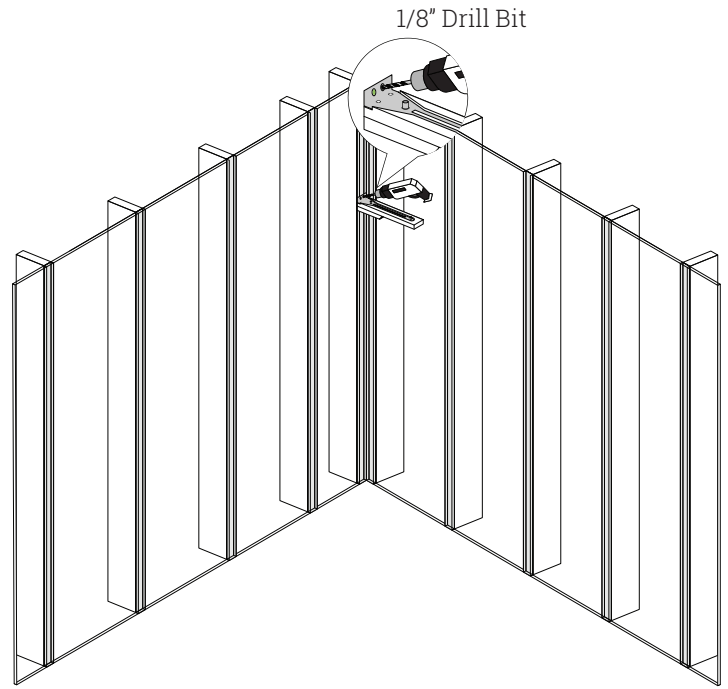
**3**

Once you pick your layout from the diagram, use a **Pencil** or painter's tape to mark the measurements shown, then mark 34" towards the corner from each measurement to mark the Shelf location.

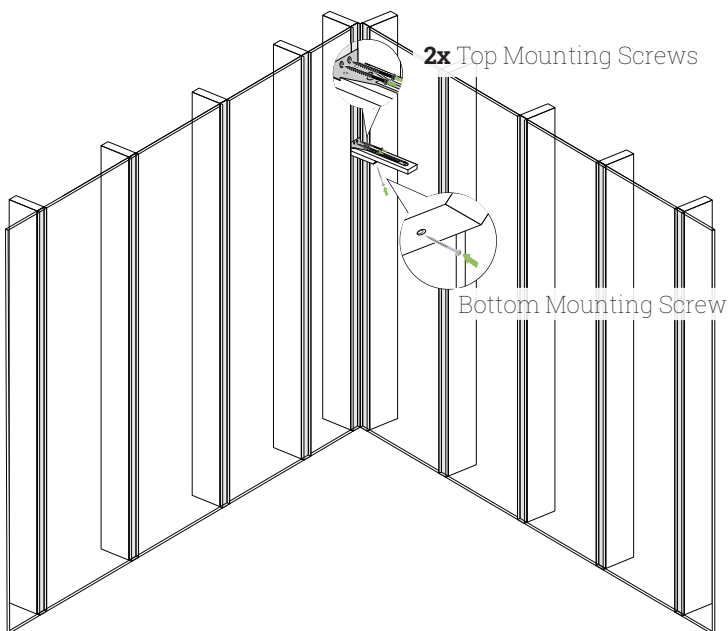
Since we're showing instructions for 34-B, we've chosen 4 studs that will work best for that layout.

**4**

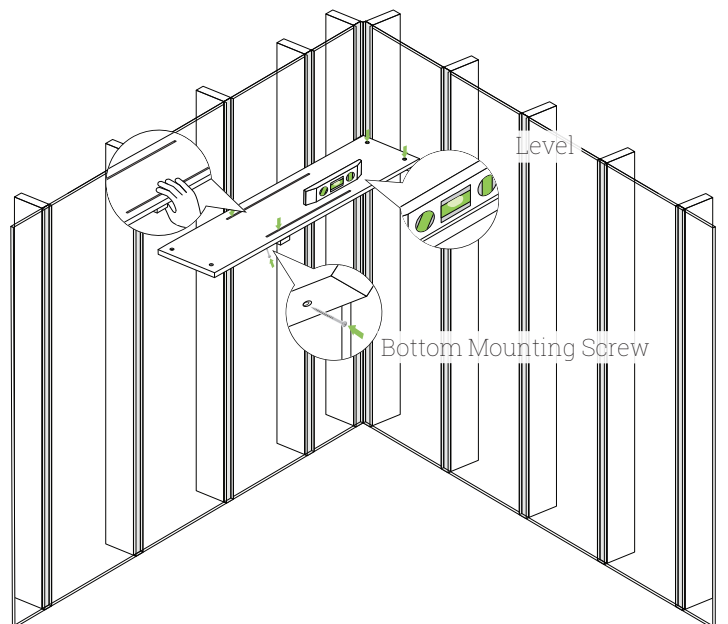
Align the first **Mounting Plank** on the stud. Use an **Electric Drill** to pre-drill two top bracket holes using the **1/8" Drill Bit**. Keep in mind that the second Plank can be placed at either the end of the Shelf or anywhere along the slots. The most secure fit will be to find a second stud in that location.

**5**

Install two **Top Mounting Screws** in the Plank bracket. Use the **Electric Drill** to pre-drill a hole through the opening on the underside of the Plank. Install a **Bottom Mounting Screw**. Follow the angle of the opening for the proper hold in the stud.

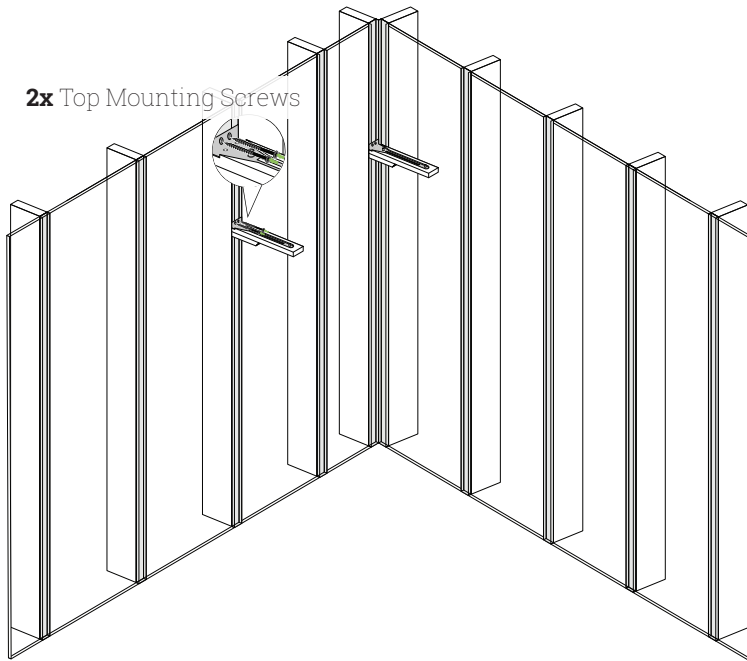
**6**

Use the **34" Shelf** to measure the distance to the next **Mounting Plank** location. Hold the Shelf Top in place against the wall on a Plank. Use the **Level** to make sure the Shelf lays flat on the Plank. Install the **Bottom Mounting Screw**.



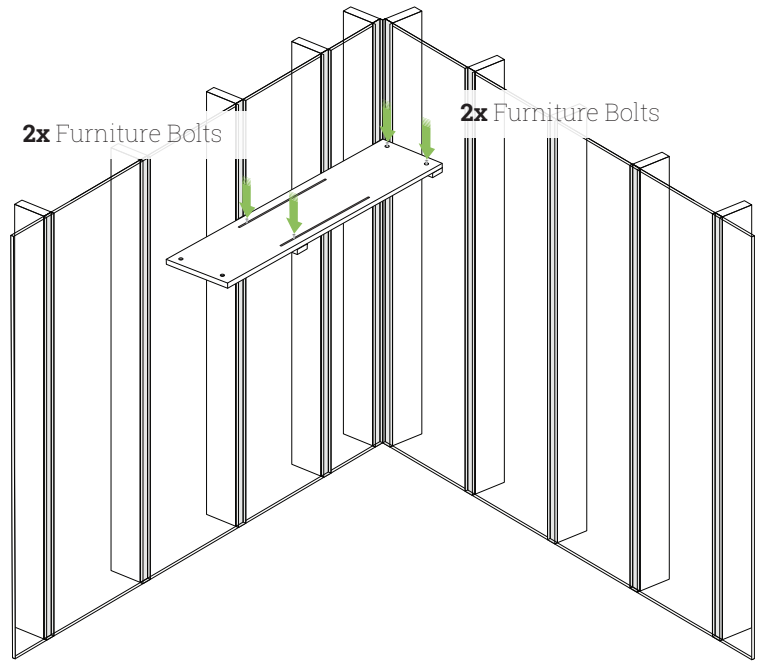
7

Remove the **34" Slotted Shelf** and install two **Top Mounting Screws** through the mounting bracket holes.



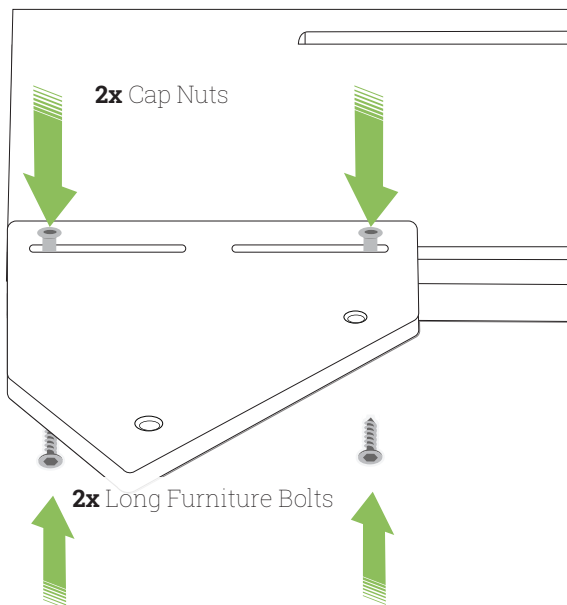
8

Place the **34" Slotted Shelf** on the **Plank Bottoms**. Install four **Furniture Bolts** with the **Allen/Phillips Drill Bit** to fasten the Shelf in place.



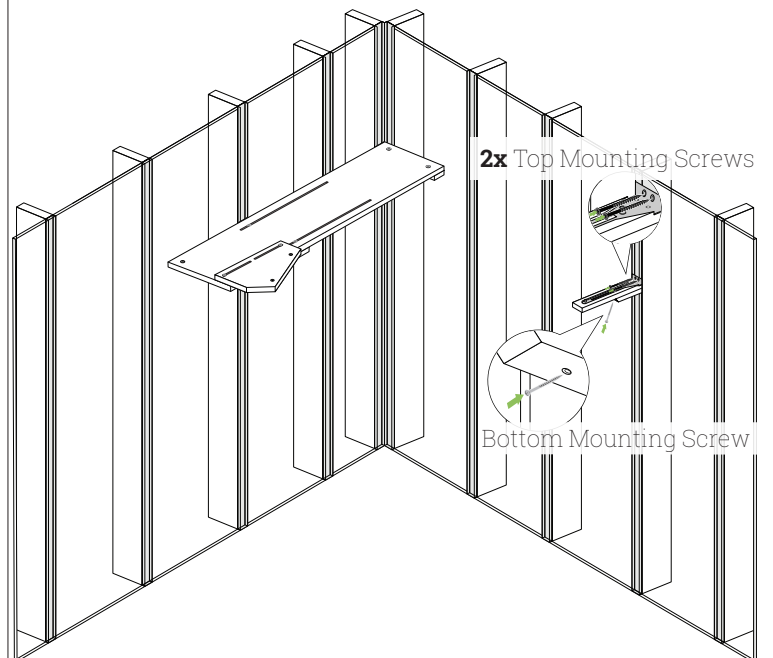
9

Align an **Angled Platform** with the end of the **34" Slotted Shelf**. It's best if you're able to attach one of the **Long Furniture Bolts** to a **Mounting Plank**; if they do not align with stud placement, then be sure to have the Plank installed close to the Platform to prevent the Bridge from being bouncy. Install two Long Furniture Bolts with **Cap Nuts** to fasten the Platform to the Shelf. (If you're mounting one of the Bolts to a Plank, you won't need the Cap Nut for that Bolt.)



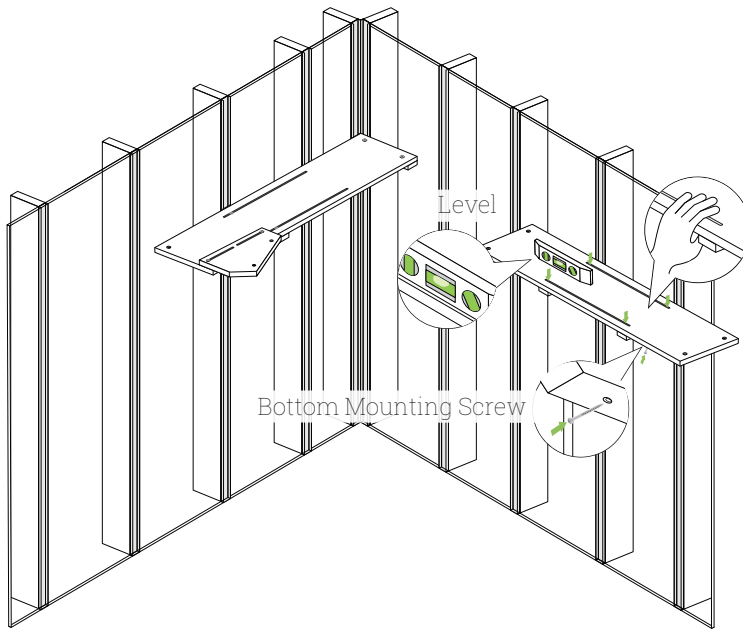
10

To begin with the second **34" Slotted Shelf**, find the location of the farthest **Mounting Plank**. Install two **Top Mounting Screws** in the plank bracket. Install a **Bottom Mounting Screw** on the underside of the Plank. Follow the angle of the opening for the proper hold in the stud.



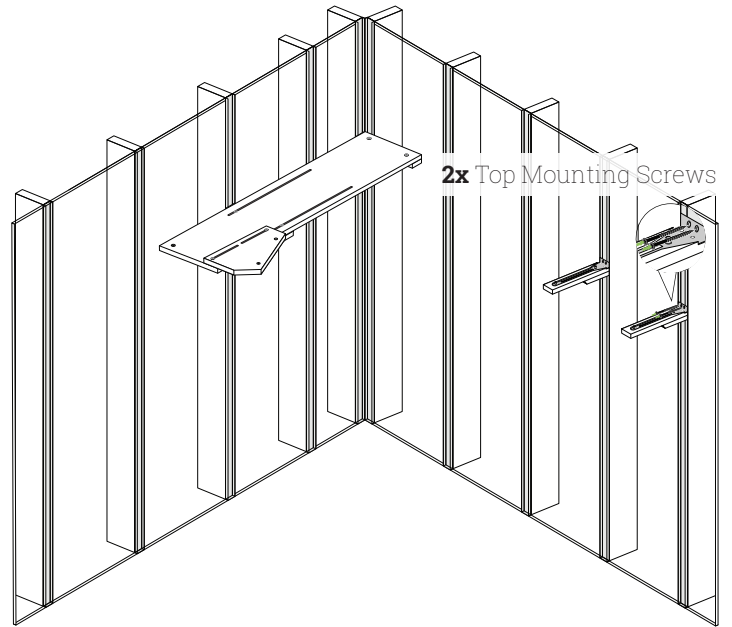
11

Use the **34" Slotted Shelf** to measure the distance to the final **Mounting Plank** location. Hold the Shelf Top in place against the wall on the **Mounting Plank**. Use the **Level** to make sure the Shelf lays flat on the Plank. Install the **Bottom Mounting Screw**.



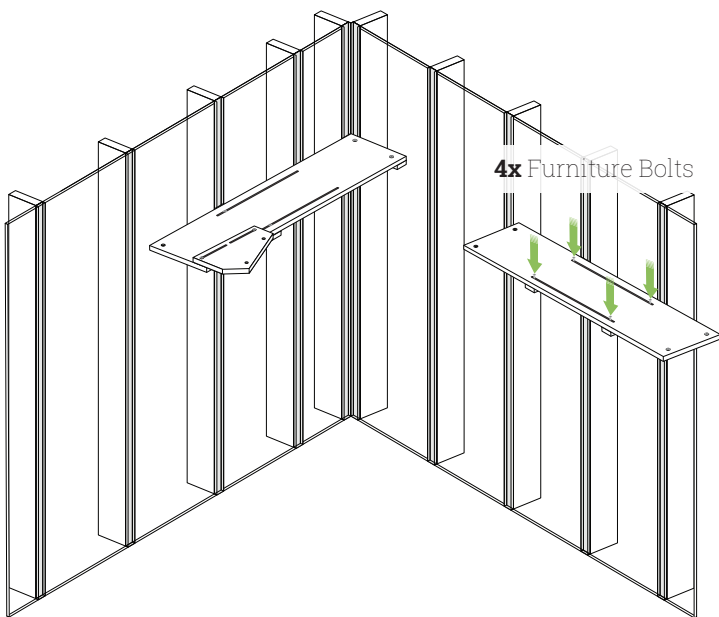
12

Install two **Top Mounting Screws** in the Plank Bracket.



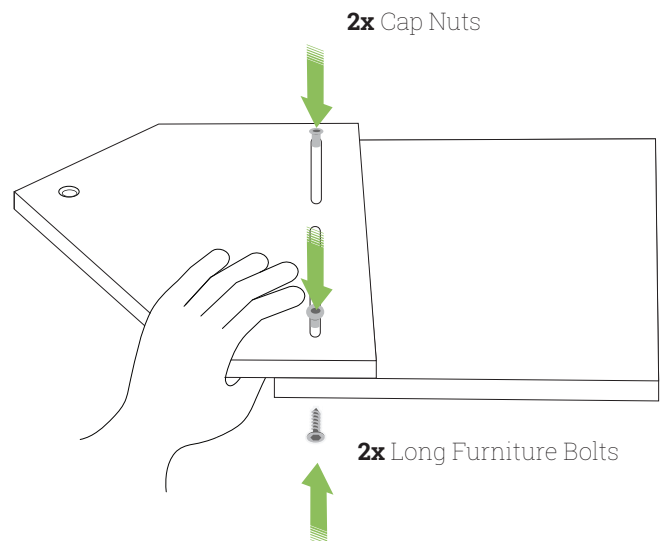
13

Place the **34" Slotted Shelf** on the **Mounting Plank**. Fasten the Shelf Top to the Planks using four **Furniture Bolts**



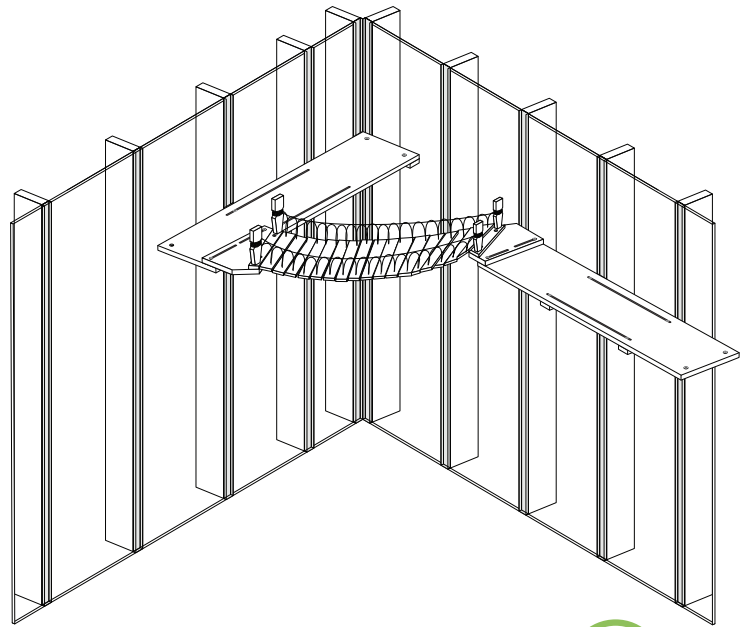
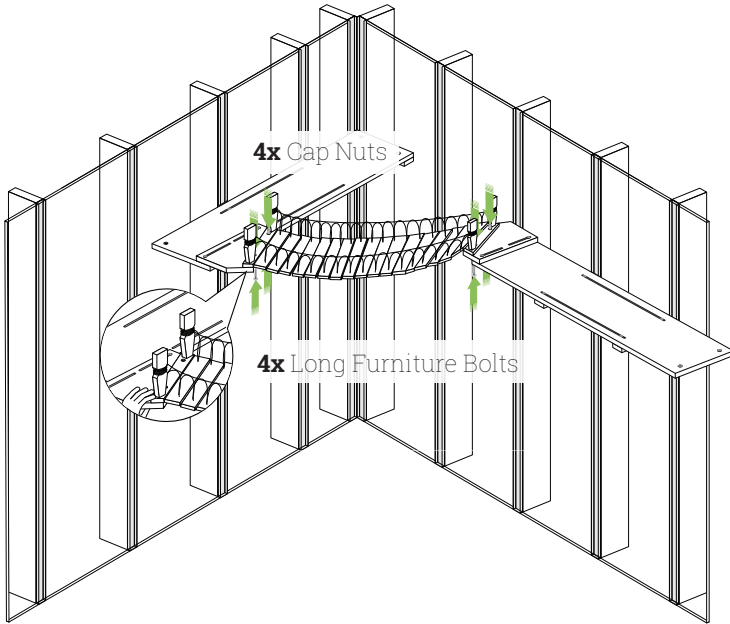
14

Align the **Angled Platform** with the short end of the Shelf along the openings for the **Mounting Plank**. Fasten the Angled Platform to the Shelf with two **Furniture Bolts** and **Cap Nuts**.



# 15

Place the **Bridge Top** on the **Angled Platform** and fasten it in place with two **Long Furniture Bolts** and **Cap Nuts**. Repeat this process for the second Bridge mounting point.



## Acclimation Tips

Now that your cat's new furniture is installed, you want to give your cat positive reinforcements so they will relate the area to good things. We highly suggest incorporating things like catnip, playtime, or giving them treats from their new furniture. Any time we get treats out, our cat Heisenberg jumps onto a wall complex because that's where we always feed him treats.



If a cat is hesitant about walking on the bridge, try placing a towel, pad or blanket on the railings to make the surface more steady feeling as they warm up to the spot.

We recommend offering your cat a safe route off the furniture from both sides. Having multiple exit routes is important for their safety, especially in homes with multiple cats. This is a structure that will potentially be high on the wall. We offer plenty of solutions which can be found on our website. You could include a Scratching Pole or series of platforms for your cat to climb to the Corner Bridge.



## Scan QR code

for additional installation resources & videos

## Get in Touch!

(616) 583-8143

support@catastrophiccreations.com

**Customer Service Available**  
Monday- Friday  
Hours: 8am-4pm EST