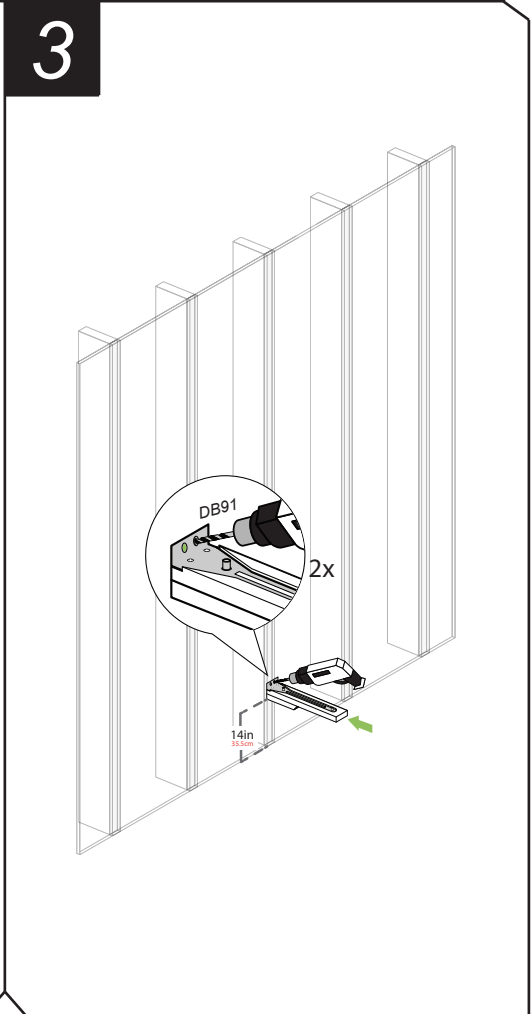
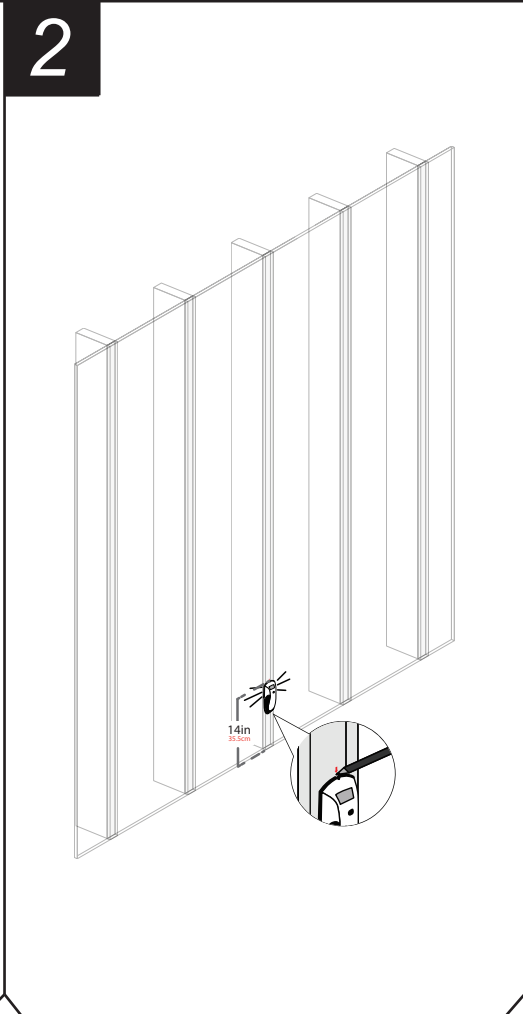
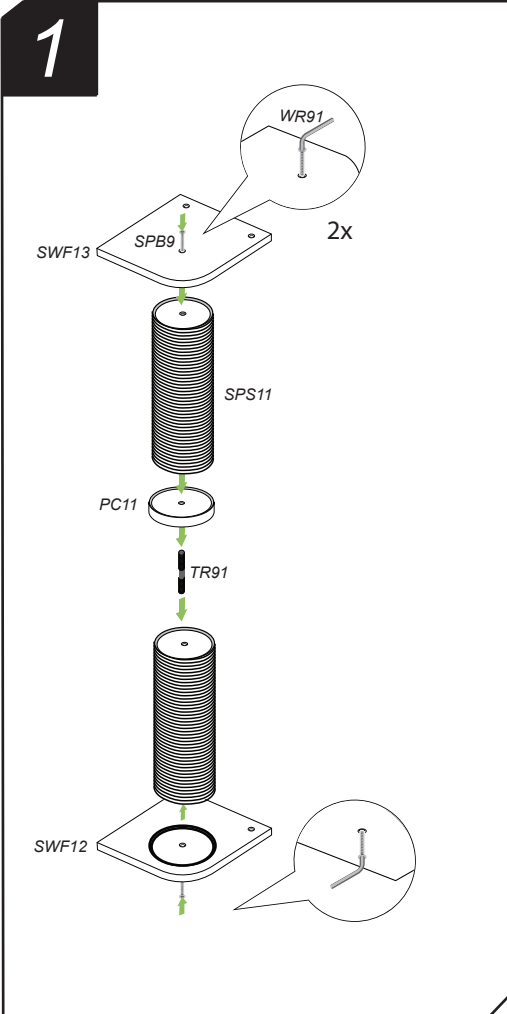
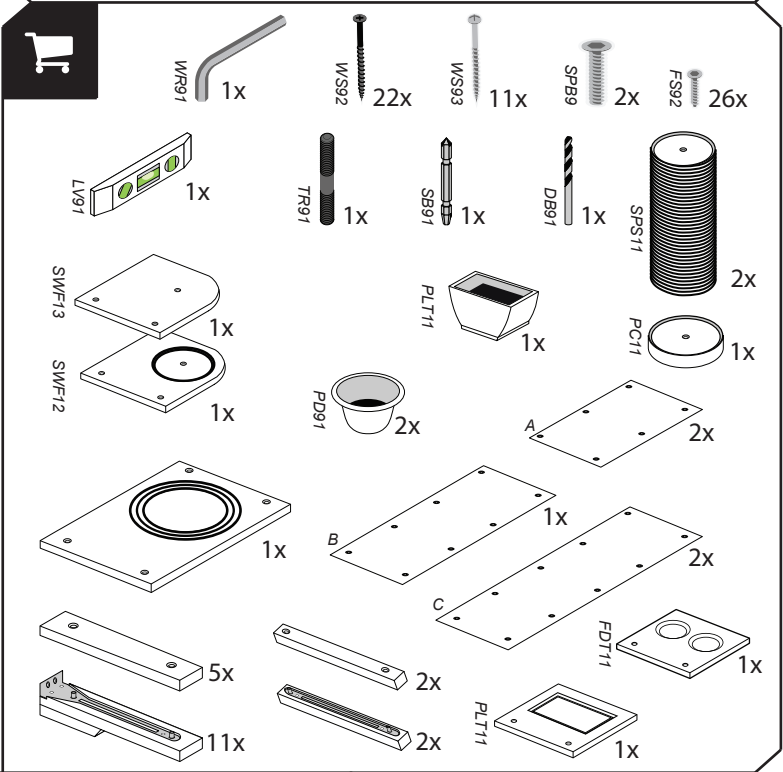
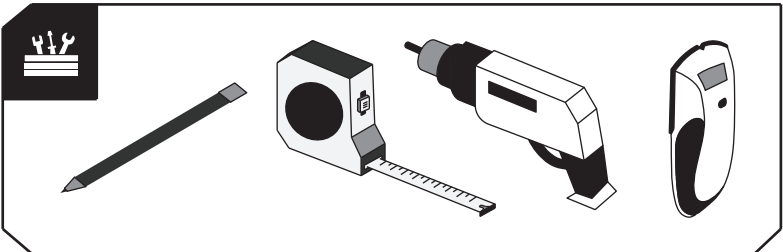
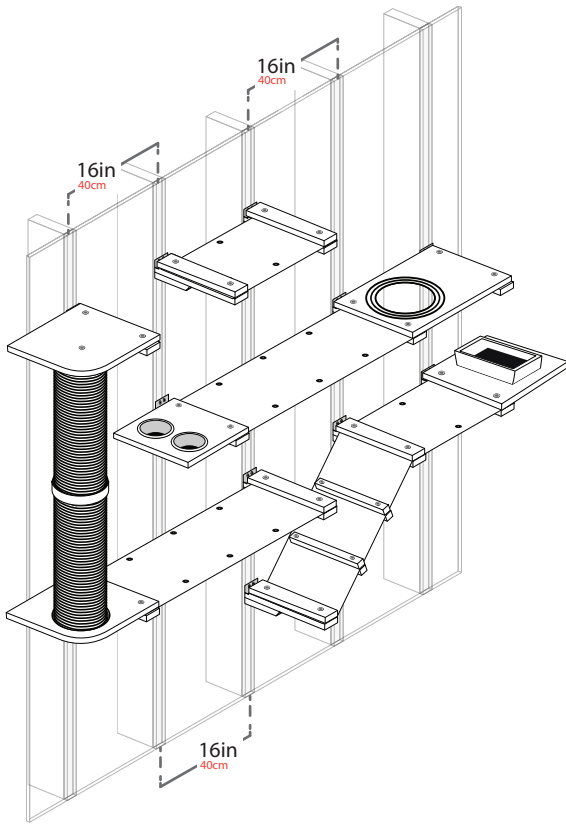


Bunker



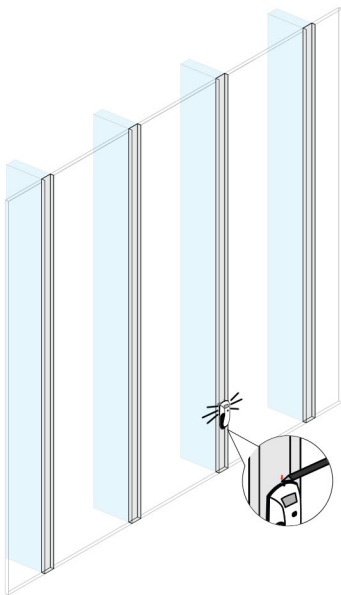
Intro to Mounting

Check your Order

Carefully check the contents of your order for anything damaged or missing, referring to the list of inventory that accompanies each set. Please save all packaging while everything is being installed. If any issues arise, please contact us at support@catacreations.com

Quick Overview

Our furniture is designed to be mounted into wooden studs spaced 16" apart on center, the most common spacing in US homes. We also have options for 24" spacing and other wall types. Any of our furniture can be mounted in a mirrored/reverse fashion.



What are Wall Studs?

Studs are the vertical framing behind drywall, typically made from wood. Some homes are built with metal studs. If you're mounting into metal studs, you will want to get a drill bit meant for drilling through metal and self-tapping metal screws to mount the furniture. Our sets can also be mounted into brick, concrete and metal studs, with the help of additional separately purchased hardware.

Choosing a Location

Which room you install the furniture in can depend on how social your cat is and where they typically hang out. Our cats are pretty social and like to use the furniture in rooms we hang out in the most, like our living room and bedroom. If wall shelves are a new thing for your cat, it can be a good idea to mount new furniture where your cat likes to spend their time and where they are most comfortable.

Have Multiple Cats?

For homes with multiple cats, we suggest having a few routes down from the layout to avoid altercations and help your cats feel safe.

If your layout doesn't include multiple routes down, consider mounting near a couch, shelving or ledge so your cats can make a quick escape if they feel stressed.

Support

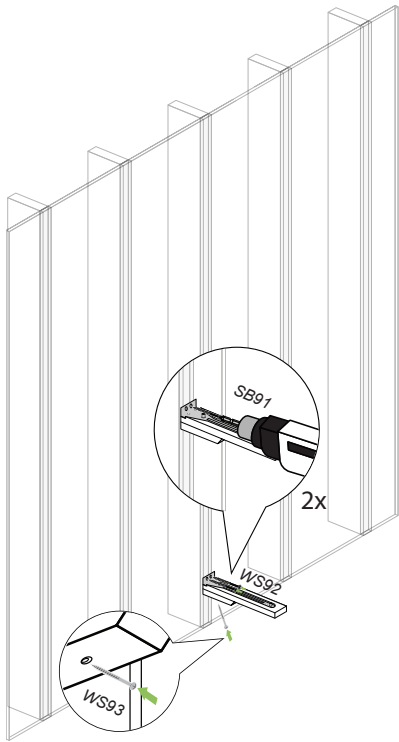
If you have any questions, please contact us at support@catacreations.com or give us a call at (616) 583-8143.

If you would like to watch a video of the mounting process, just scan this QR code.

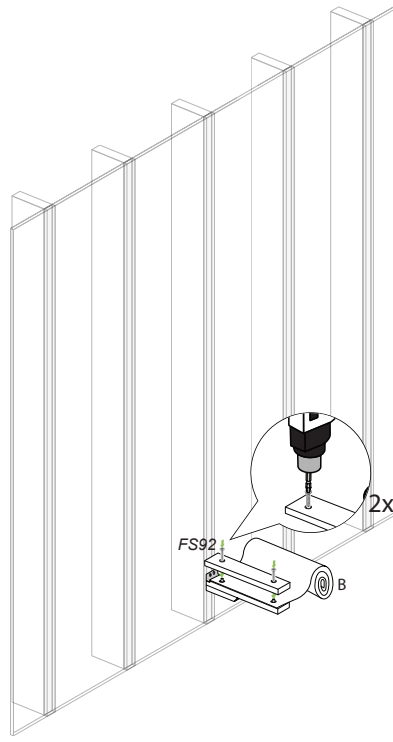


M-Th 8am - 4:30pm EST
F- 8am - 4pm EST

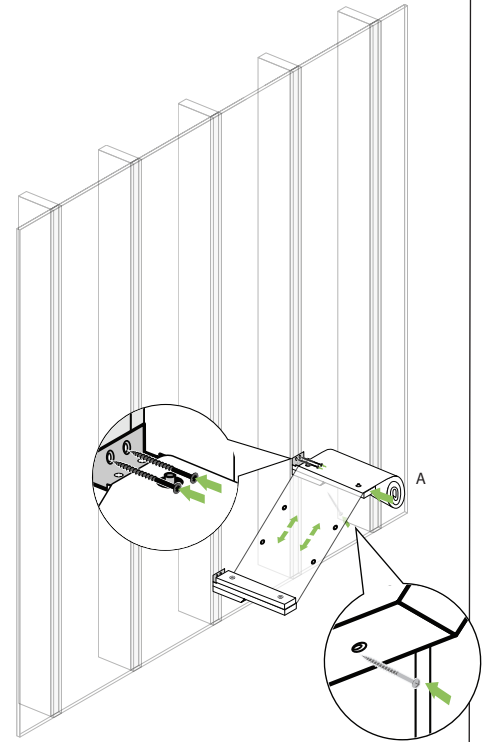
4



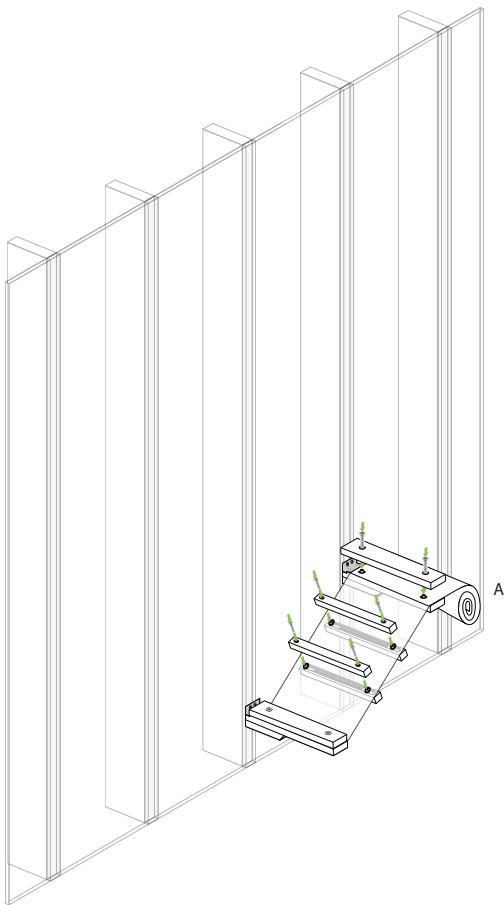
5



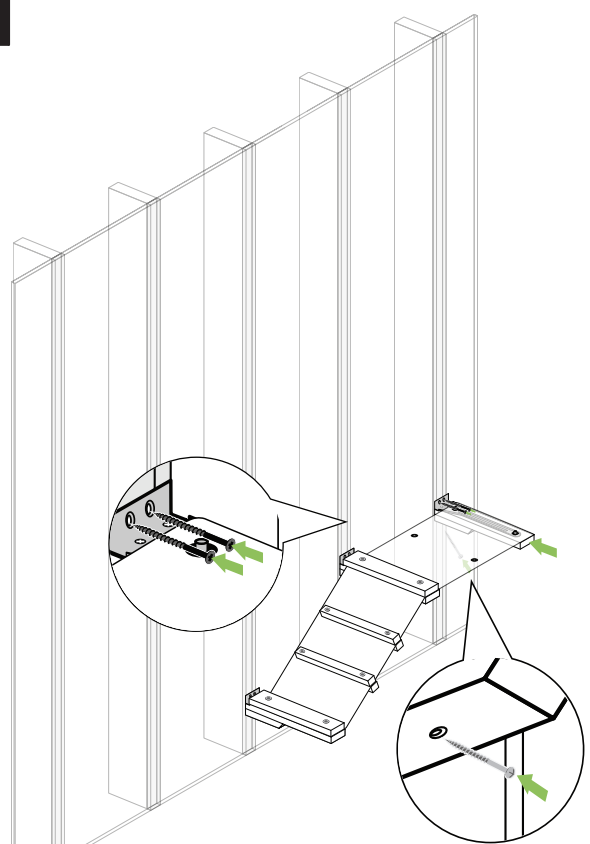
6



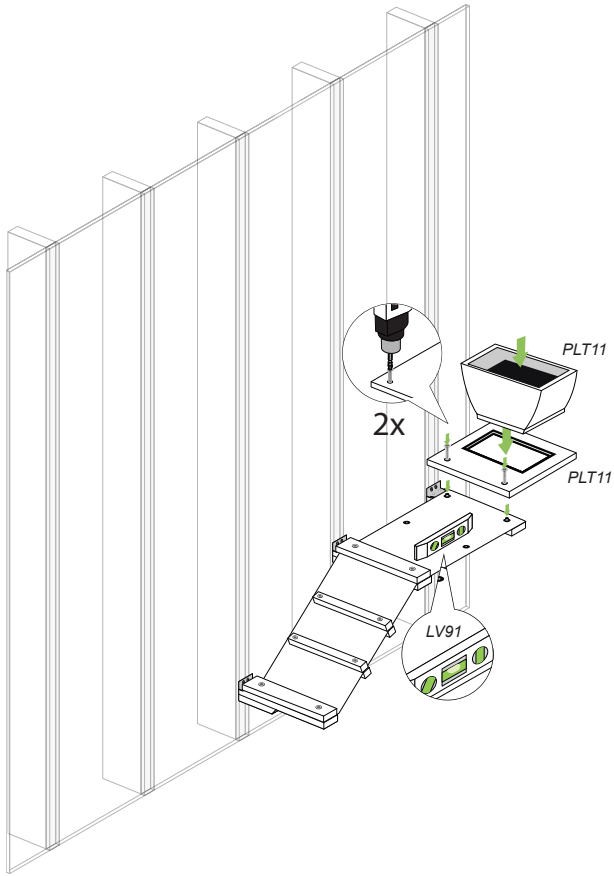
7



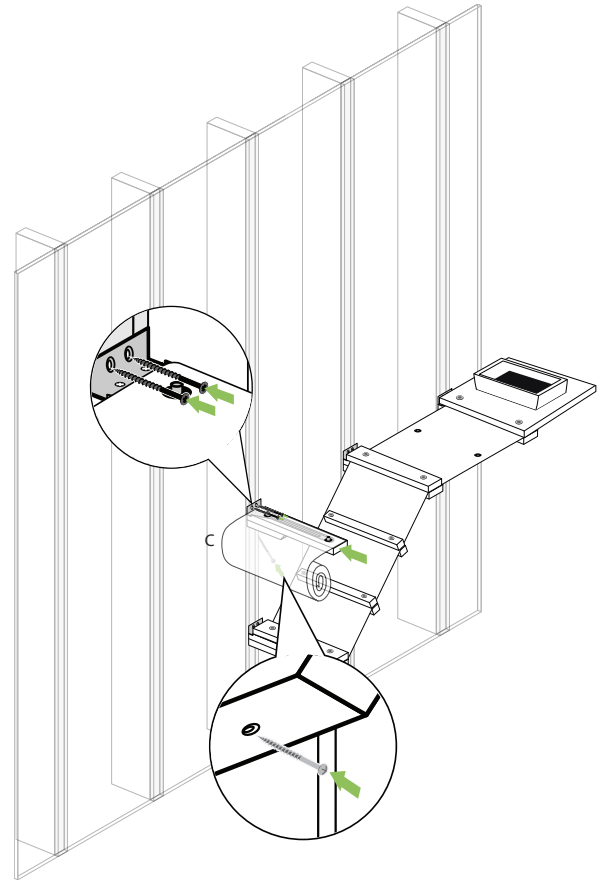
8



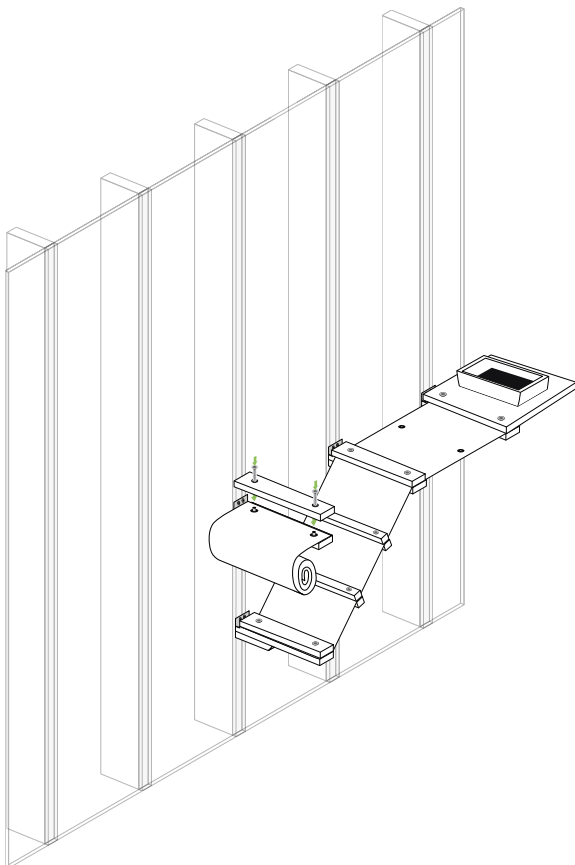
9



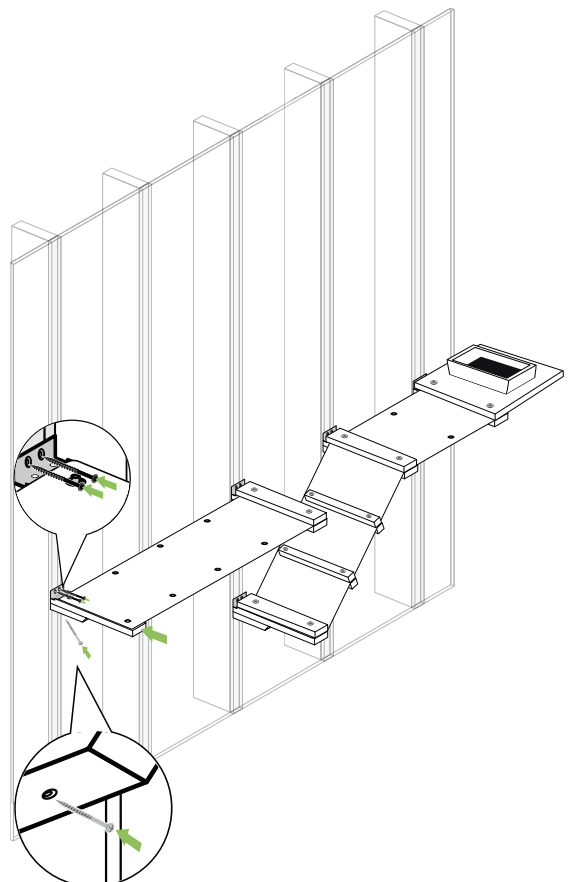
10



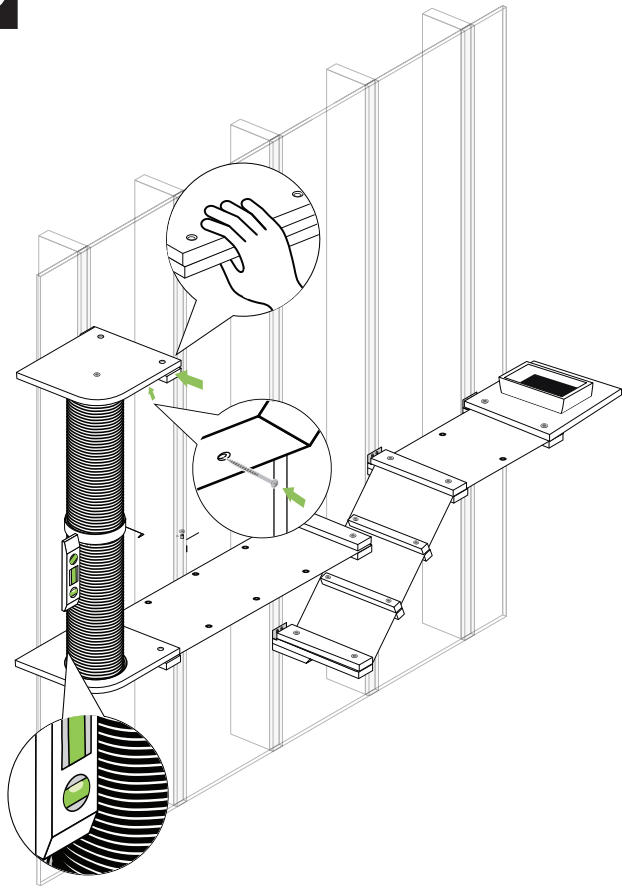
11



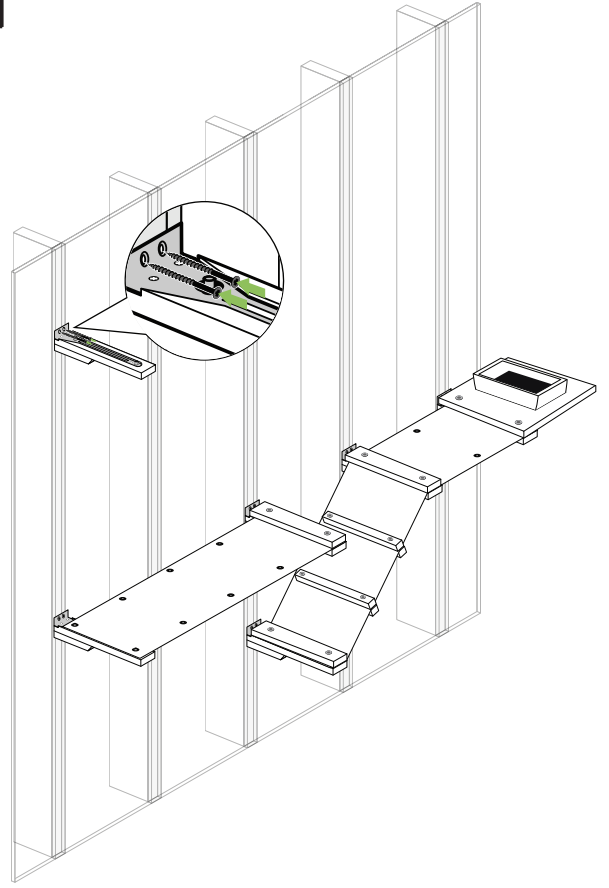
12



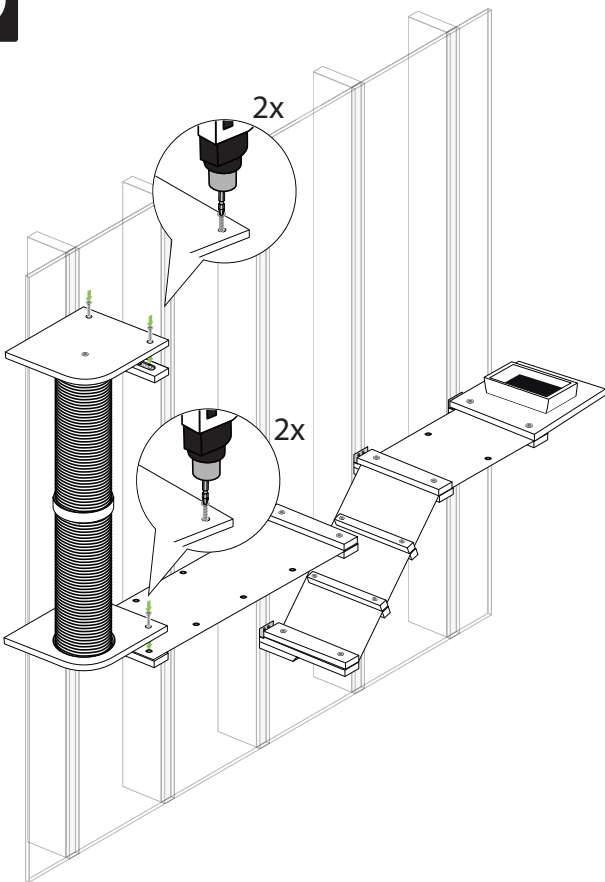
13



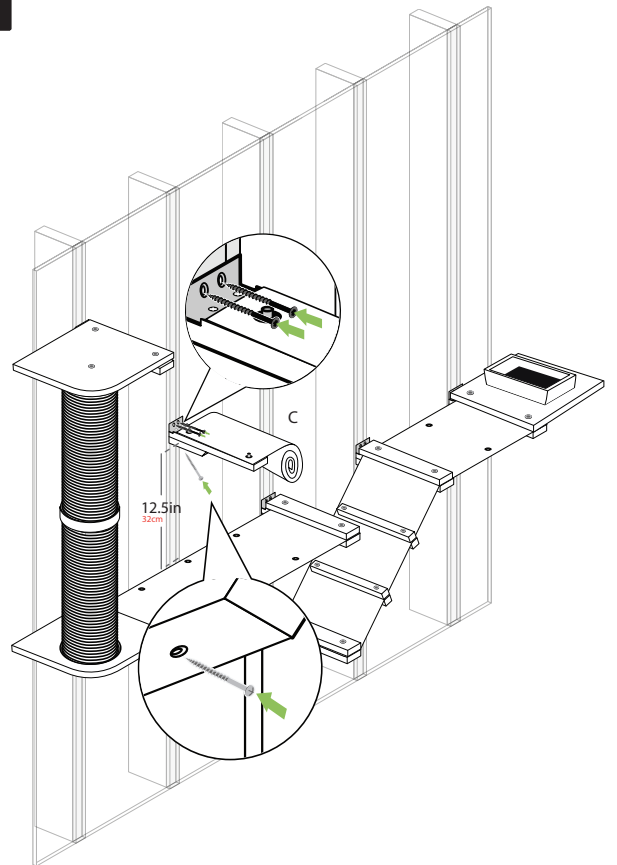
14



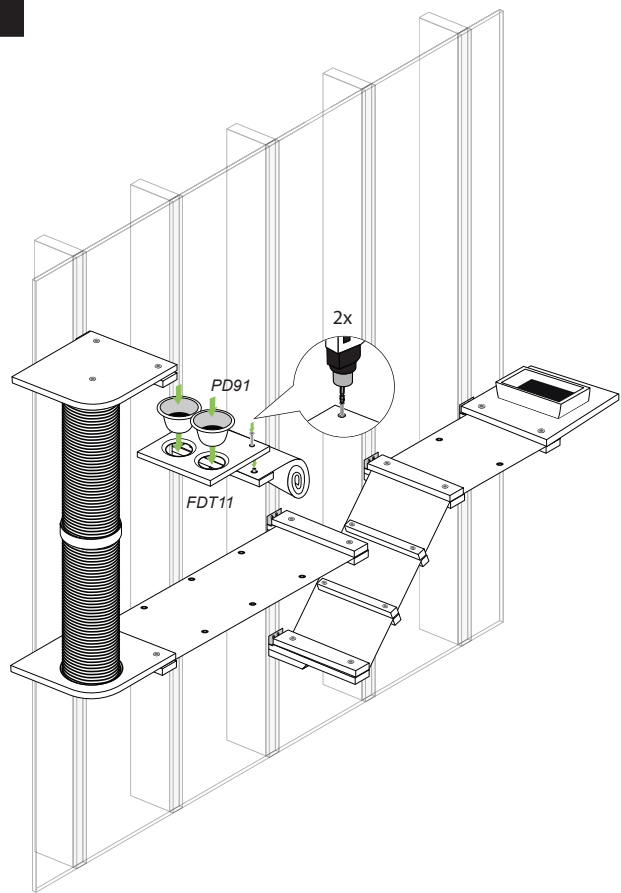
15



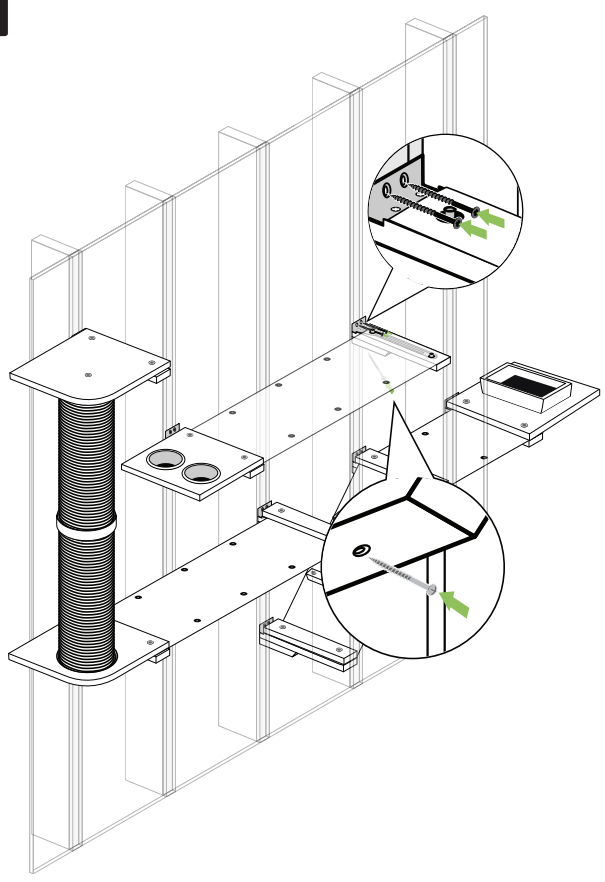
16



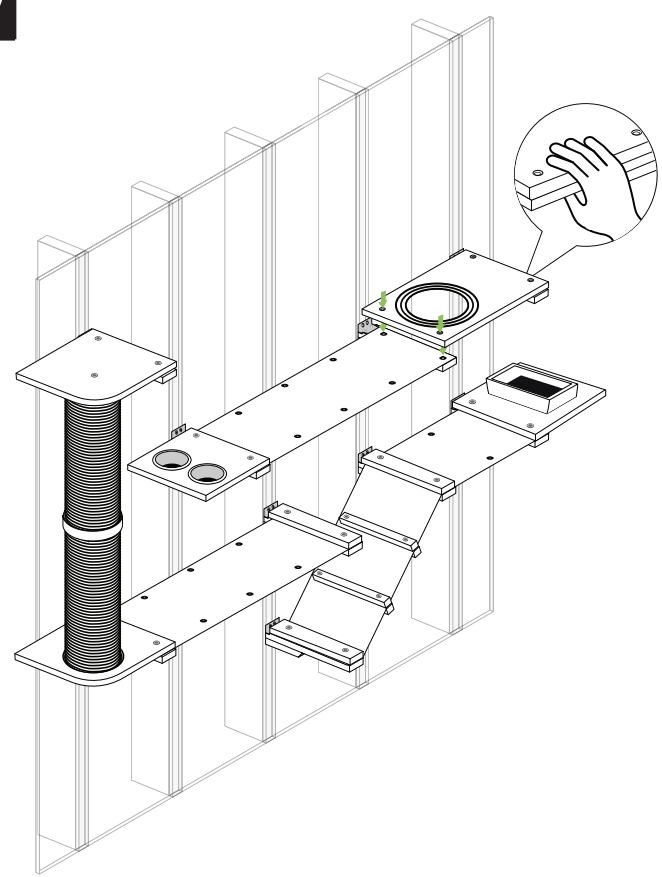
17



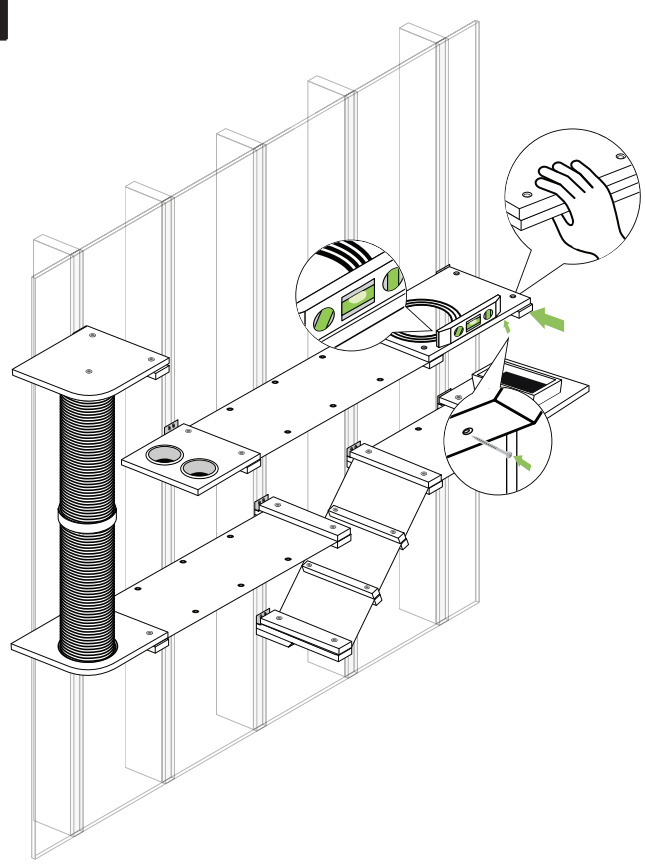
18



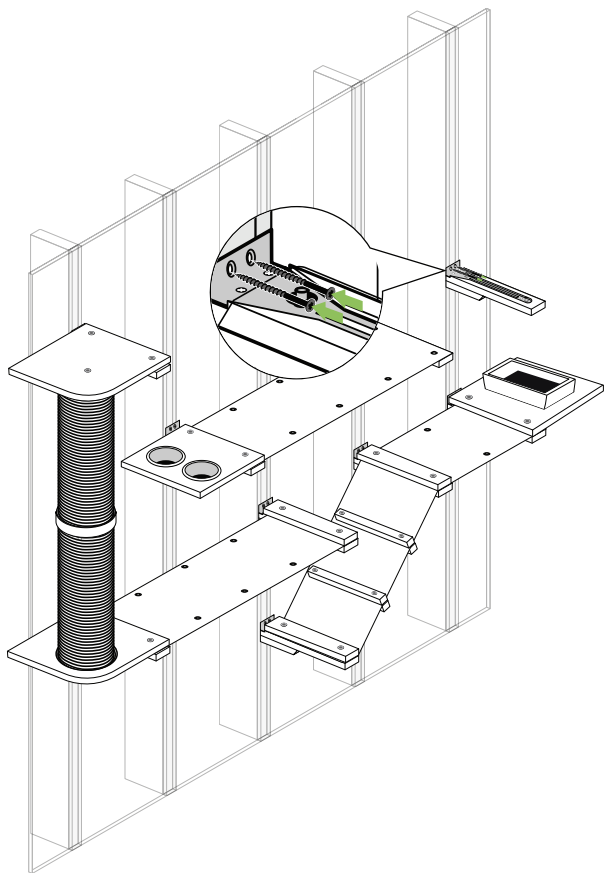
19



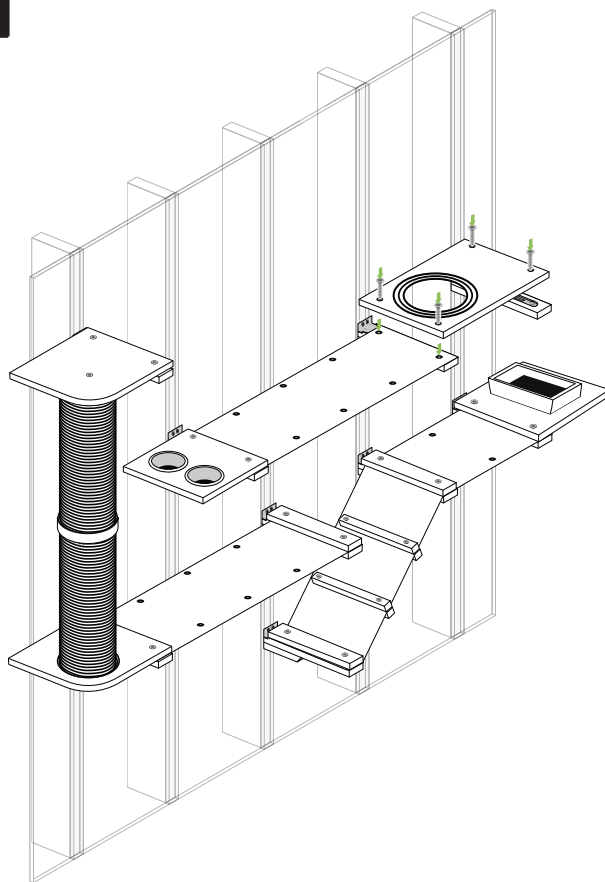
20



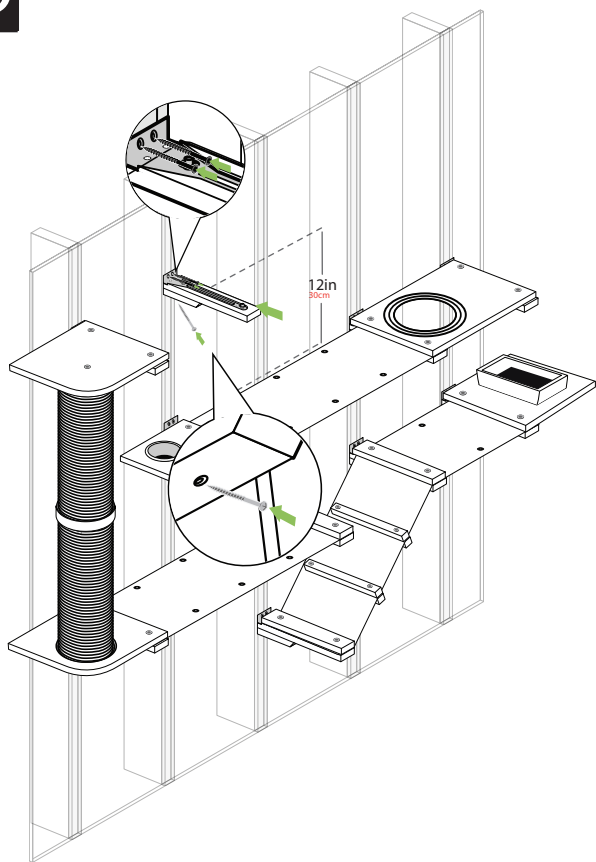
21



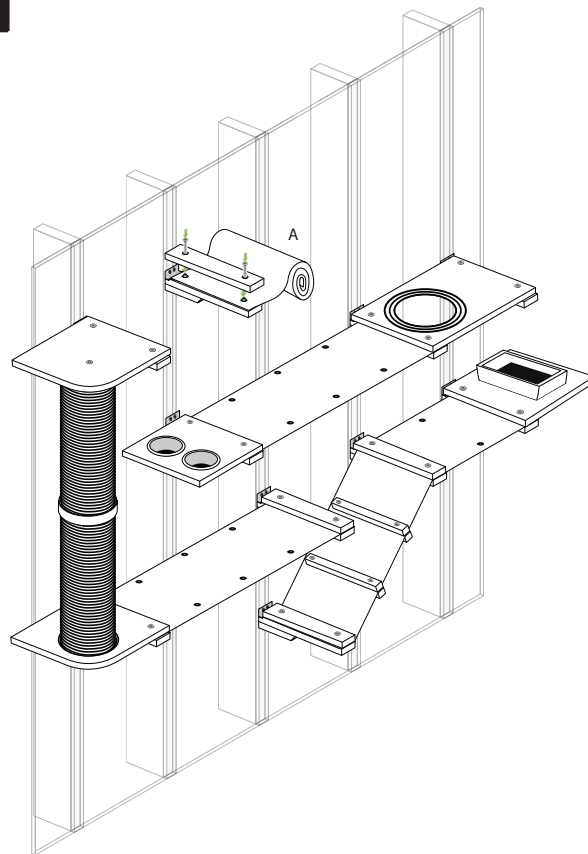
22



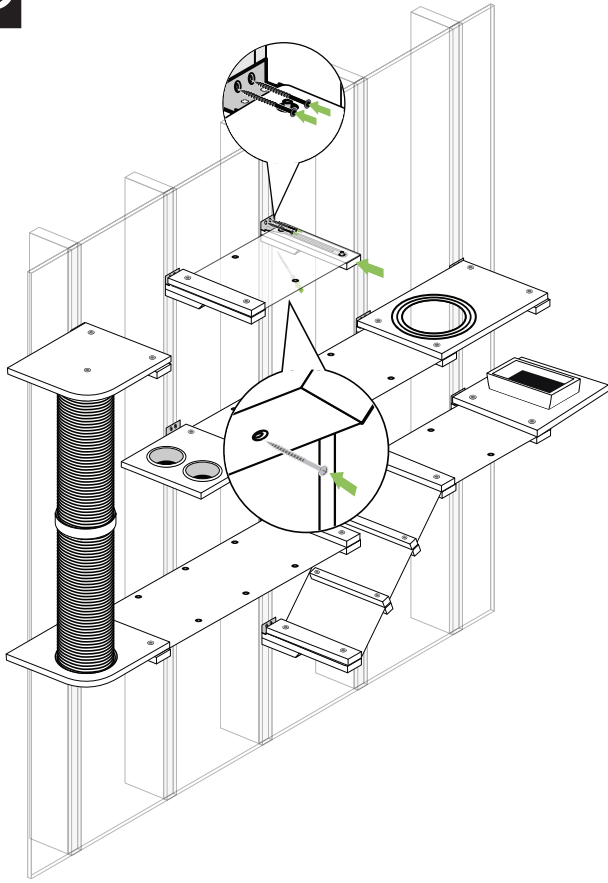
23



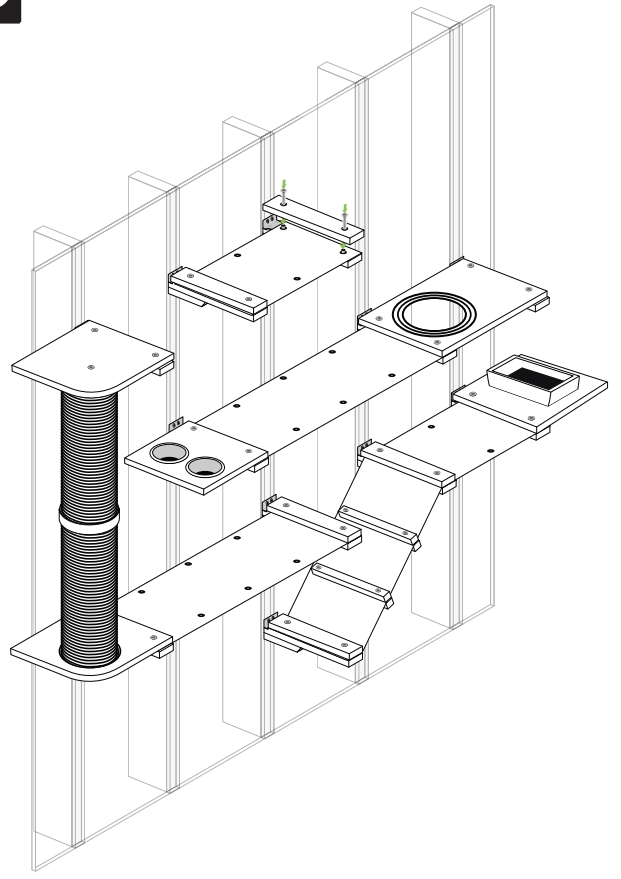
24



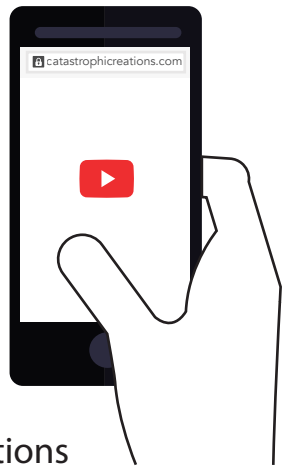
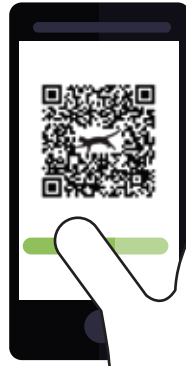
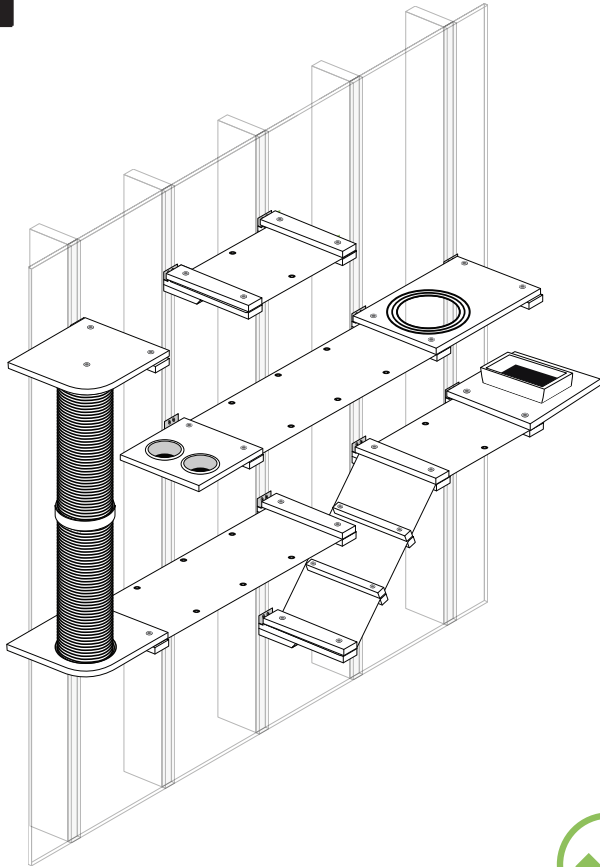
25



26



27



Scan QR code for video mounting instructions