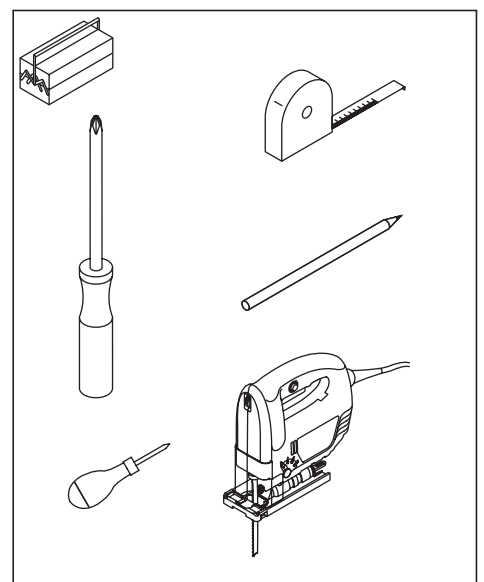
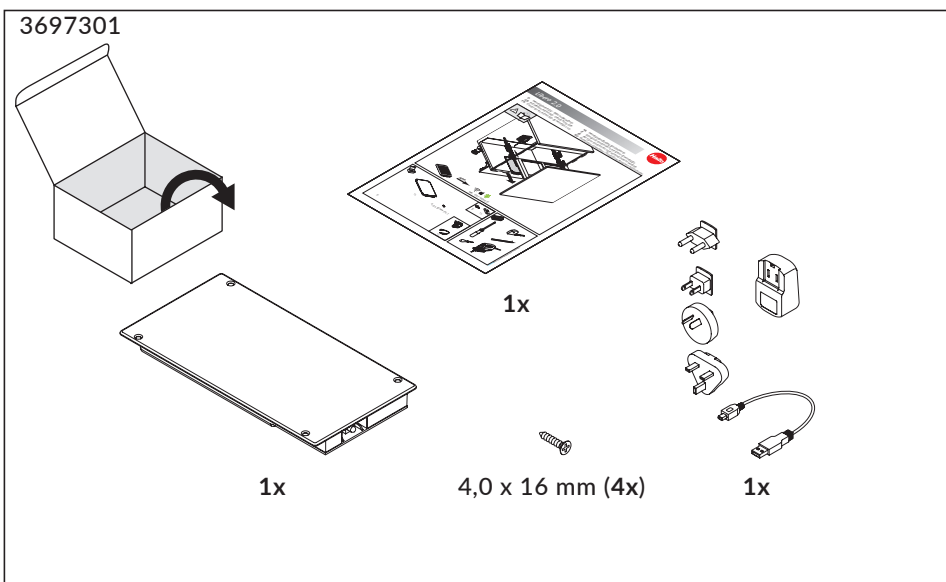
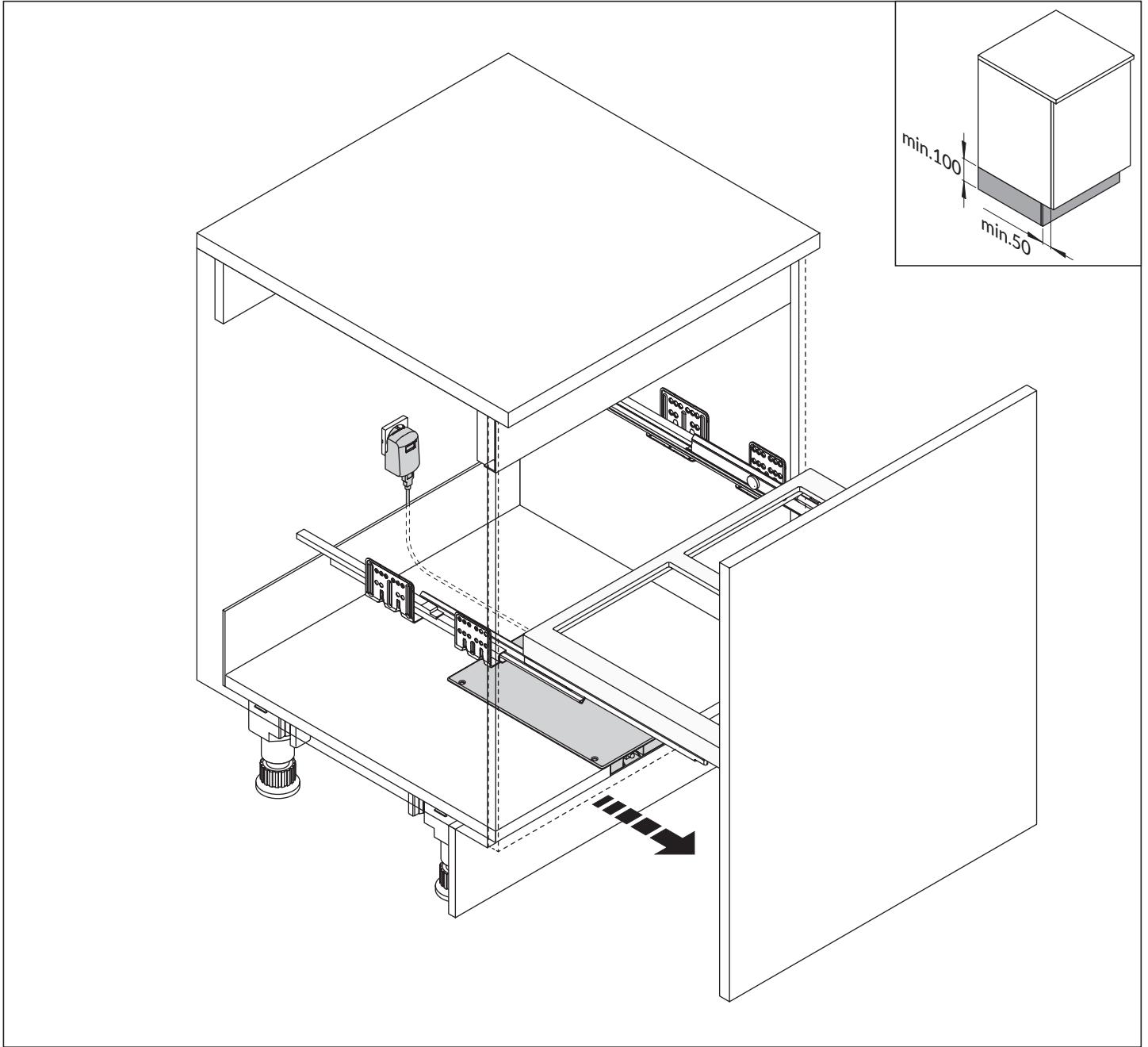
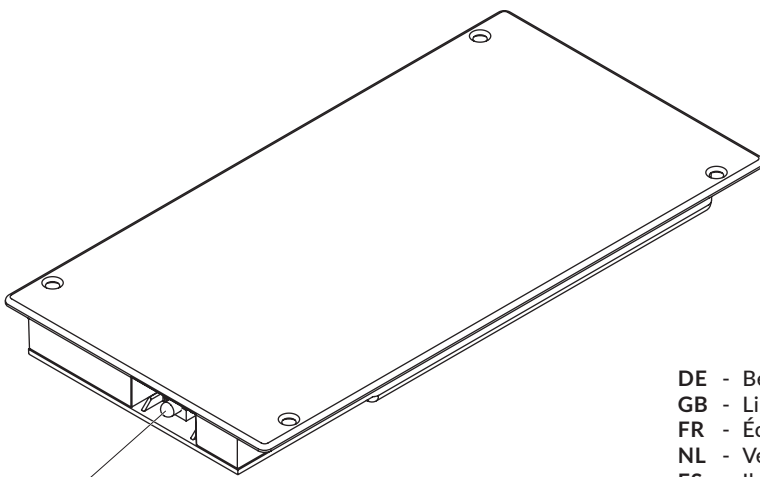


DE Montageanleitung - Bitte aufbewahren
GB Installation instruction - please keep safe
FR Conserver les instruction de montage s.v.p
NL Montagehandleiding goed bewaren
IT Si prega di conservare le istruzioni di montaggio
ES Por favor conserve las instrucciones para el montaje
RU Инструкция по монтажу - Пожалуйста держите в безопасности
HR Upute za montažu - obavezno sačuvati
ET Kokkupaneku juhised - Palun hoidke
LT Surinkimo instrukcijos - Prašome saugoti
LV Montāžas instrukcija - Lūdzu, saglabāiet
PL Instrukcja montażu - należy przechowywać

SK Návod na montáž - Prosím, zachovajte
SL Navodila za sestavljanje - Prosimo, shranite
BG Ръководство за монтаж - Моля, запазете
CZ montážní návod - pečlivě prosím uschovejte
DK Monteringsanvisning - Skal opbevares
FI Asennusohjeet - säilytä
GR Οδηγίες συναρμολόγησης – Παρακαλούμε φυλάσσετε
HU Szerelési utasítás - gondosan őrizze meg
PT Instruções de montagem - P.f., guarde-as para consulta posterior
RO Instrucțiuni de montaj - Vă rugăm să păstrați
SE Monteringsinstruktion - Spara för framtida bruk

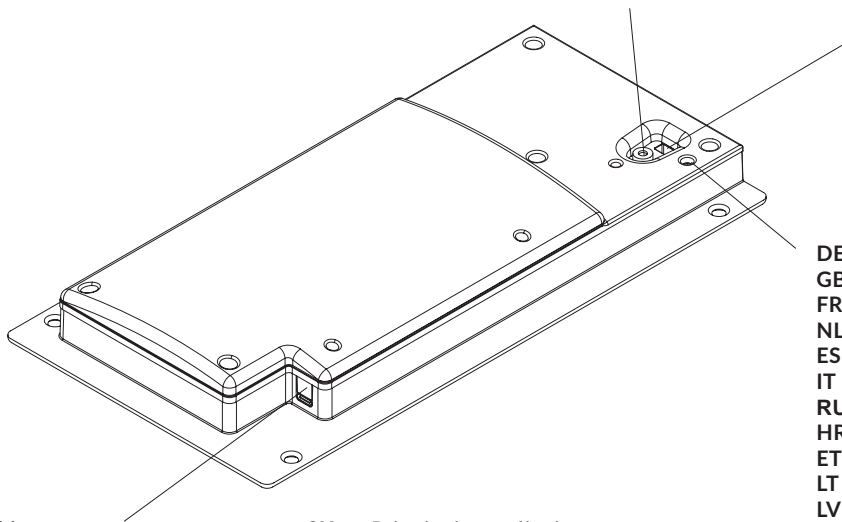




- | | |
|--------------------|----------------------------|
| DE - Auswerfer | SK - Vyhadzovač |
| GB - Ejector | SL - Izmetalnik |
| FR - Éjecteur | BG - Изхвърлящо устройство |
| NL - Uitwerper | CZ - Vyhazovač |
| ES - Eyector | DK - Ejektor |
| IT - Estrattore | FI - Ulostyönnin |
| RU - Выбрасыватель | GR - Εξολκέας |
| HR - Izbacivač | HU - kivető |
| ET - Ejektor | PT - Ejetor |
| LT - Ežektors | RO - Expulzor |
| LV - Ežektorius | SE - Utkastare |
| PL - Wyrzutnik | |

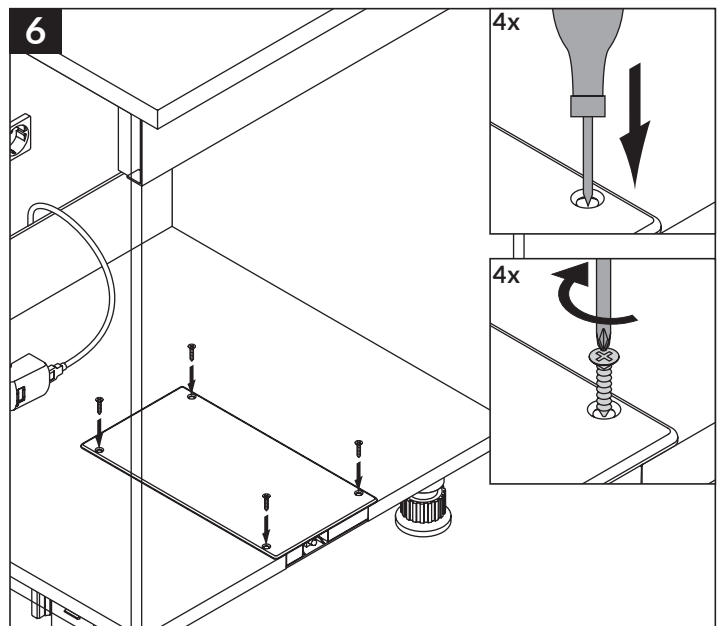
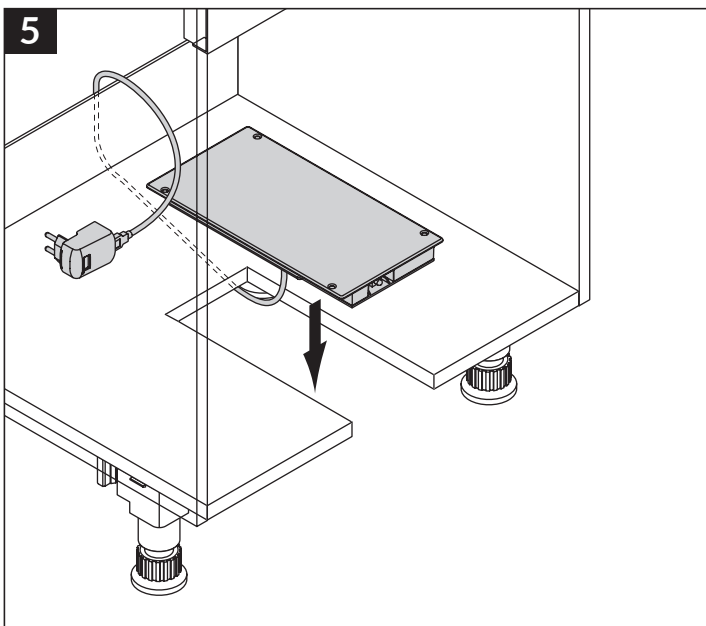
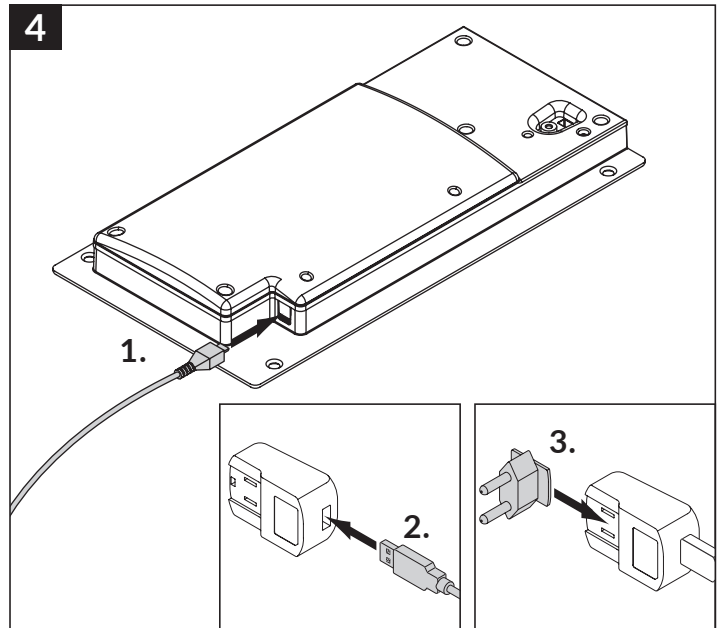
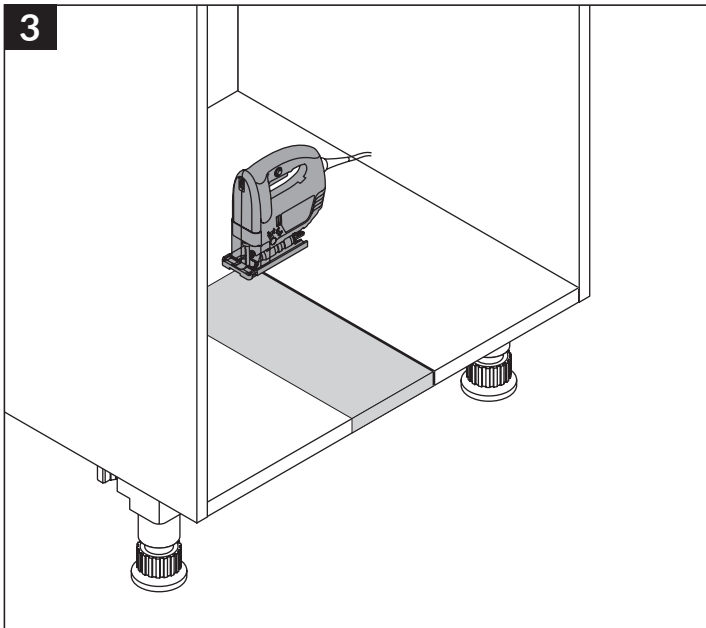
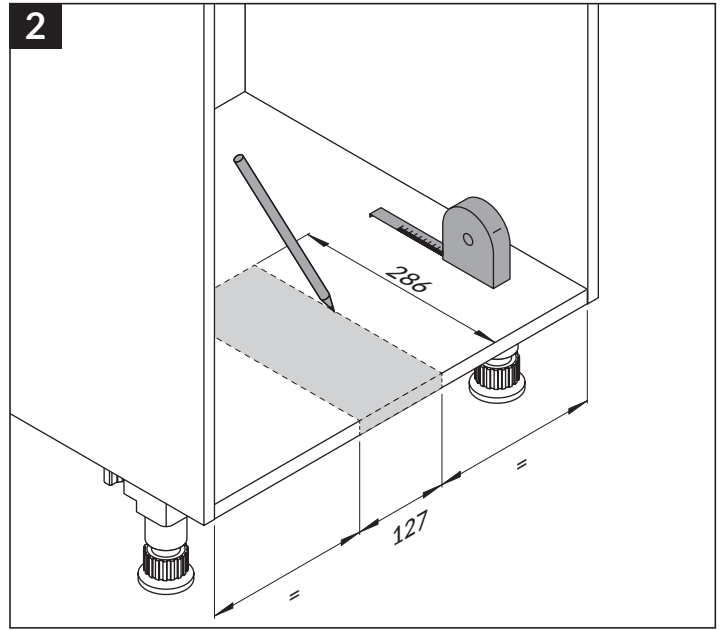
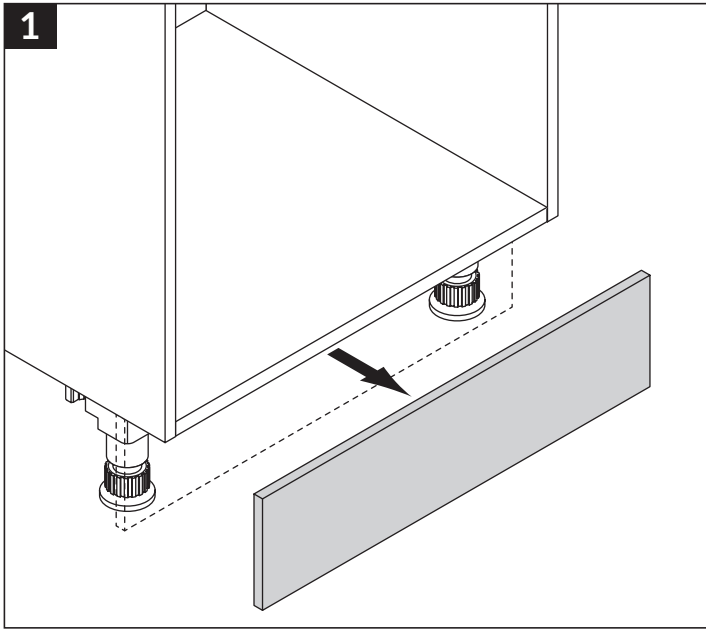
- | |
|-------------------|
| DE - Beleuchtung |
| GB - Lighting |
| FR - Éclairage |
| NL - Verlichting |
| ES - Iluminación |
| IT - Luce |
| RU - Освещение |
| HR - Osvjetljenje |
| ET - Valgustus |
| LT - Apgaismojums |
| LV - Apšvietimas |
| PL - Oświetlenie |
| SK - Osvetlenie |
| SL - Osvetlitev |
| BG - Осветление |
| CZ - Osvětlení |
| DK - Belysning |
| FI - Valo |
| GR - Φωτισμός |
| HU - világítás |
| PT - Iluminação |
| RO - Iluminat |
| SE - Belysning |

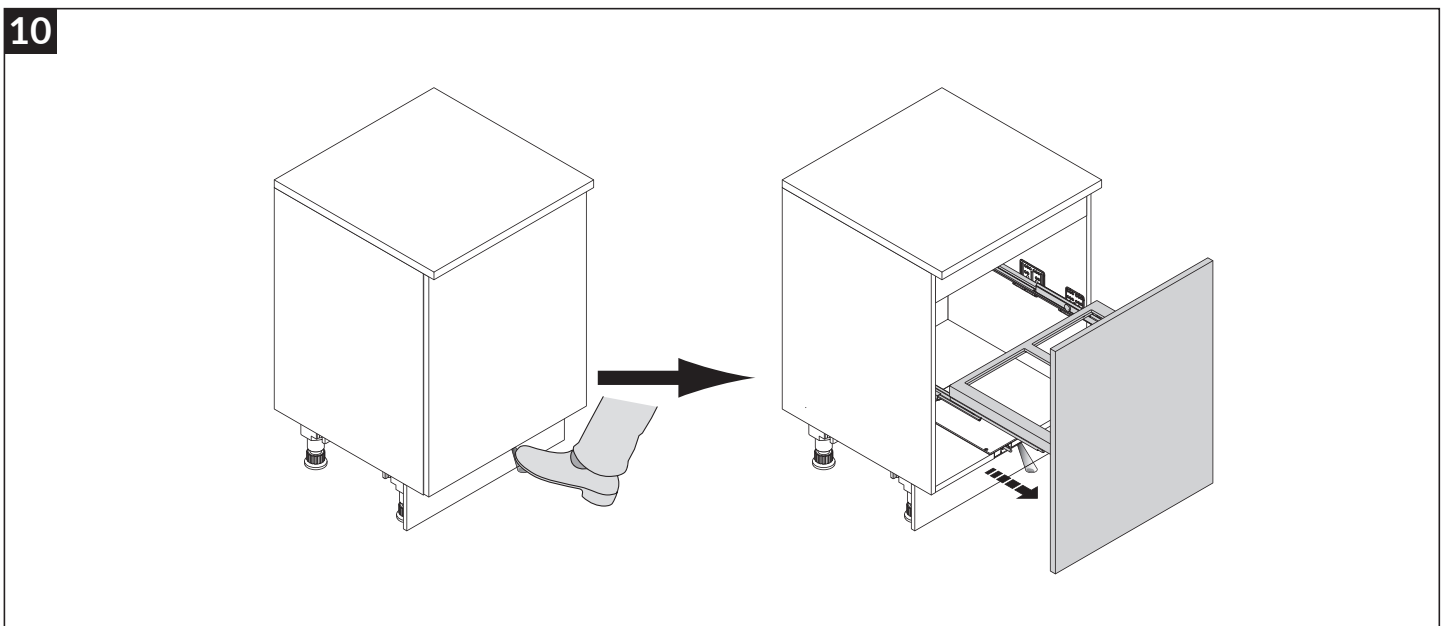
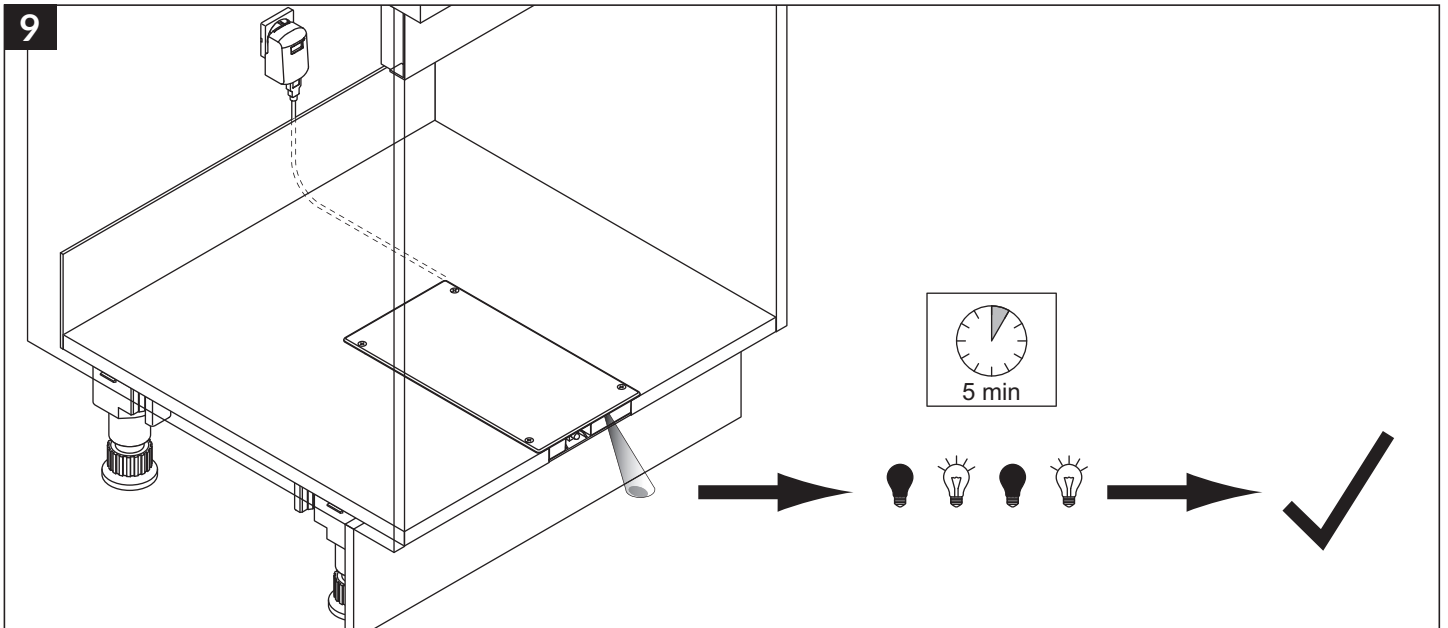
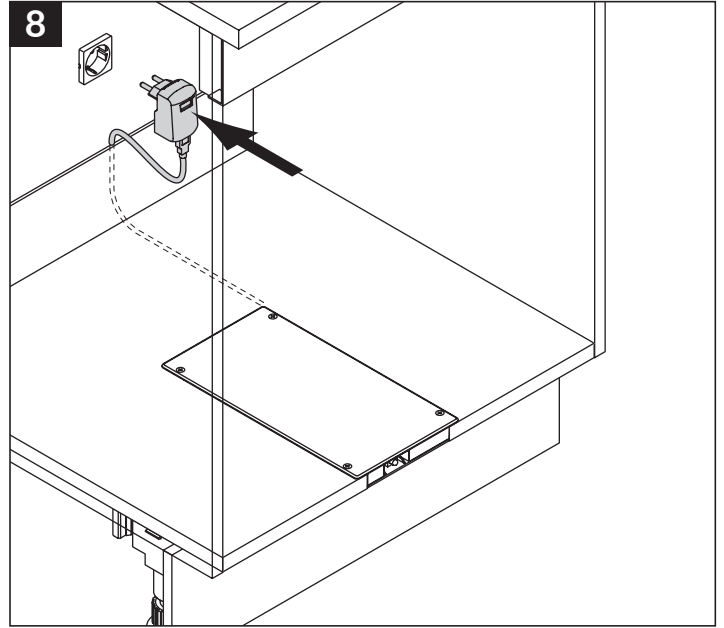
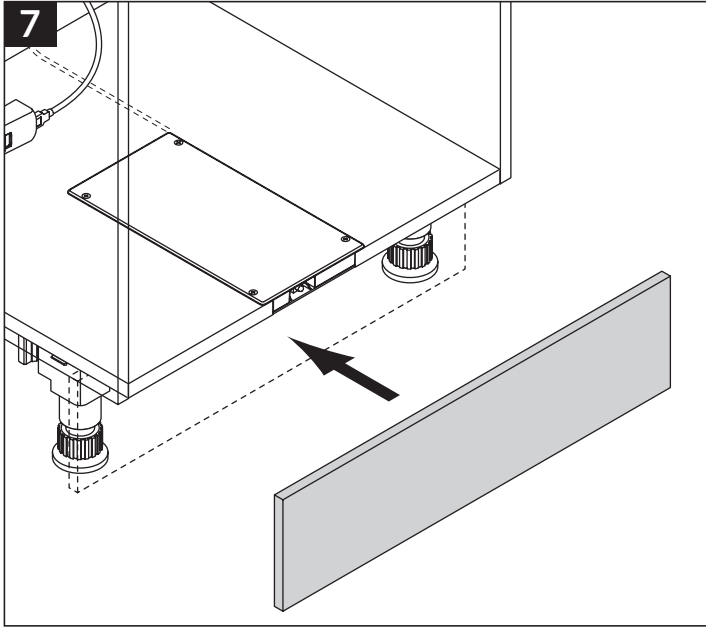
- | |
|-------------------------|
| DE - Sensor |
| GB - Sensor |
| FR - Capteur |
| NL - Sensor |
| ES - Sensor |
| IT - Sensore |
| RU - Датчик |
| HR - Senzor |
| ET - Andur |
| LT - Sensors |
| LV - Jutiklis |
| PL - Czujnik |
| SK - Sensor |
| SL - Sensor |
| BG - Сензор |
| CZ - Čidlo |
| DK - Sensor |
| FI - Anturi |
| GR - Αισθητήρας |
| HU - érzékelő (szenzor) |
| PT - Sensor |
| RO - Senzor |
| SE - Sensor |



- | | |
|---|--------------------------------------|
| DE - Netzteilanschluss | SK - Pripojenie napájania |
| GB - Power supply socket | SL - Priključek za napajanje |
| FR - Raccordement secteur | BG - Извод за захранващ модул |
| NL - Adapteraansluiting | CZ - Konektor síťového napájení |
| ES - Conexión a la fuente de alimentación | DK - Nettislutning |
| IT - Presa di alimentazione | FI - Virtaliitäntä |
| RU - Разъем для блока питания | GR - Σύνδεση τροφοδοτικού |
| HR - Priključak za napajanje | HU - hálózati tápegység csatlakozás |
| ET - Toiteallika ühendus | PT - Conexão da ficha de alimentação |
| LT - Strāvas padeves pieslēgums | RO - Racordare la rețea |
| LV - Maitinimo šaltinio jungtis | SE - Nätdelsuttag |
| PL - Przyłącze elementu sieciowego | |

- | |
|------------------------------------|
| DE - Reset Taste |
| GB - Reset button |
| FR - Touche Reset |
| NL - Reset-toets |
| ES - Tasto reset |
| IT - Tecla de reset |
| RU - Кнопка сброса |
| HR - Tipka za reset |
| ET - Nupu lähtestamine |
| LT - Atiestatīšanas poga |
| LV - Atstatymo mygtukas |
| PL - Przycisk Reset |
| SK - Tlačidlo Reset |
| SL - Gumb za ponastavitev |
| BG - Бутон Reset |
| CZ - Tlačítko reset |
| DK - Reset tast |
| FI - Nollauspainike |
| GR - Πλήκτρο επανεκκίνησης (Reset) |
| HU - kinulázó billentyű |
| PT - Botão de reiniciar |
| RO - Tasta Reset |
| SE - Resetknapp |

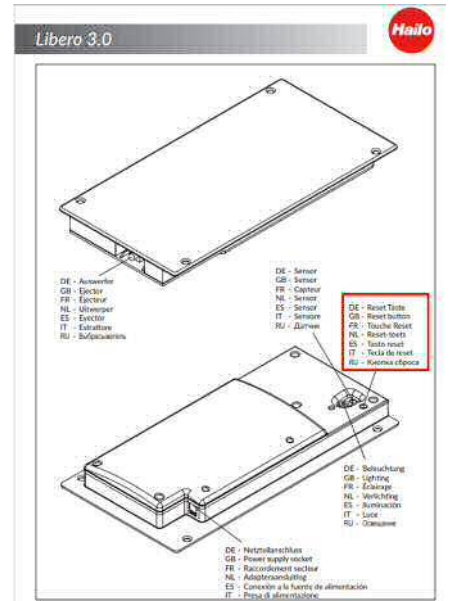




1.1 Hailo Libero 3.0 configuration

Procedure for a new device:

- Plug in the power supply unit and wait until the light is permanently lit (this takes about 5 minutes).
- To switch the WLAN on, press the Reset button (Fig. 1) for 1 second. The device will beep once.
- You can then establish a connection to the Libero 3.0 through your device (PC, tablet or smartphone).
- Search for the Libero 3.0 on your WLAN network settings and connect the devices to each other (the Access Point name is: Lib30_XXXXXX).
- The password for the Libero 3.0 is **0123456789**.
- Once the devices are connected to each other, you can call up the login page of the Hailo Libero on your web browser (Edge, Firefox, Chrome, etc.) via the IP address **192.168.4.1:81**.
- The browser will then show the login page for your Hailo Libero. The password is **hailo**.



(Fig. 1)



- If everything has been entered correctly, the web browser page will open automatically.
- We recommend that you start by configuring the basic settings of the Hailo Libero.
- To do so, push the slide control into the desired positions.
- To test the changes, you must first save them.



Setting options on the device:

LED Brightness: You can adjust the brightness of the LED using the slide control.

The higher the value, the brighter the LED will shine.

Ejection Force: The rail systems have different running characteristics. You can use the slide control to adjust the speed of opening and the opening depth to suit your requirements.

Detection Range: The detection range allows you to set the height from which the sensor is to react.

The lower the value, the higher you must lift your foot in order to activate the Hailo Libero.

- As soon as the settings meet your requirements, you can close the browser again.
- If no further settings are to be made, you can switch the WLAN signal off again via the Reset button (Fig. 1).
- To do so, press the Reset button briefly for 1 second. The device will beep once.
- The WLAN is now switched off and the device can be operated by foot as normal.
- If you want to change the settings again, please proceed as described under "**Procedure for a new device**".

2.1 Adding the Hailo Libero 3.0 to your home network



It is absolutely essential that you check and update the software version of your Libero 3.0 at <https://www.hailo.de/de/einbautechnik/p/hailo-libero-30-3697301> Downloads, firmware update version 3.0.X before connecting it to your home network. (For the procedure, see point 3.1)

Procedure for a new device:

- Plug in the power supply unit and wait until the light is permanently lit (this takes about 5 minutes).
- To switch the WLAN on, press the Reset button (Fig. 1) for 1 second. The device will beep once.
- Search for the Libero 3.0 on your WLAN network settings and connect the devices to each other. (The Access Point name is: Lib30_XXXXXX)
- The password for the Hailo Libero 3.0 is **0123456789**.
- Once the devices are connected to each other, you can call up the login page of the Hailo Libero on your web browser (Edge, Firefox, Chrome, etc.) via the IP address **192.168.4.1:81**.
- The browser will then show the login page for your Hailo Libero. The password is **hailo**.
- If everything has been entered correctly, the web browser page will open automatically.
- Make the IP setting "Obtain automatically".
- In the next step, enter your network name and key.
- Finally, press "Save and restart".

Netzwerk

Netzwerkname:

Netzwerkschlüssel:

IP Einstellungen:
 Automatisch beziehen(DHCP)
 Statisch

Statische IP-Adresse:

Subnetzmaske:

Standard Gateway:

- The device will restart. The LED will flash.
- Once the LED is permanently lit, the device has been added to your home network.
- The WLAN signal is now no longer visible in your network settings.
- The device can now only be accessed via the IP address allocated by your router.

2.2 Operating the Hailo Libero 3.0 by voice command (ALEXA)

- For it to be possible to open the Hailo Libero 3.0 by voice command, you must add the device to your home network. (See the instructions "**Adding the Hailo Libero 3.0 to your home network**")
- As soon as the device has been added to your home network, you will be able to find it via ALEXA.
- To do so, you must search for the device via ALEXA.
- When the device has been found (ALEXA will say: I have found a new smart home device with the name "Lib30_XXXXXX"), we recommend that you start by changing the name of the device from "Lib30_XXXXXX", => e.g. to rubbish bin, waste unit, or something like that.
- Our Hailo Libero 3.0 communicates via the Philips HUE interface and normally listens to the commands ON and OFF, like a HUE socket.
- To open the unit, say **ALEXA_(your new device name)_ON**.
- To simplify things, you can also create a routine via ALEXA such as **ALEXA_(your new device name)_OPEN**.
- For details of how to create and use routines, please refer to the ALEXA manual.

3.1 Firmware update

You can download the latest update from <https://www.hailo.de/de/einbautechnik/p/hailo-libero-30-3697301>.

To perform an update, select the file on the home page and save it locally on your computer.

To get to the web browser page, you must first proceed as instructed in "Hailo Libero 3.0 configuration".

Then go to the Firmware Update area.

Select **Search** and go to the local place where your stored update file is saved, then select it.

As soon as the file has uploaded, click on **UPDATE**.

The device will install the file automatically and restart the device (**Do not disconnect from the mains supply during the update process**)

The device will be ready for operation after about 30 seconds.

HAILO LIBERO 3.0
Konfiguration



Firmware Update


Durchsuchen... Keine Datei ausgewählt.

Update

Systeminfo

Gerät:Libero30_FA04BF
SW Version:3.0.4

4.1 Frequently asked questions (FAQ)

Error	Action
The plunger extends uncontrollably	Check the sensor detection range in the configuration settings. The sensor detection range must not be greater than the height of the plinth.
The LED does not light up or is too bright	Check the LED brightness in the configuration settings. Adjust to the optimum brightness if necessary.
ALEXA cannot find the device	Check whether the Hailo Libero 3.0 is in your home network. Otherwise power both devices down and restart them.
The device cannot be opened using the voice command.	Check whether the Hailo Libero 3.0 is in your home network. Otherwise power both devices down and restart them.
 <p>Opening delay: There may be delays in activation between the Smart Speaker and the Libero 3.0. This is beyond the control of Hailo. Delays may be caused by a number of factors, such as network quality and communication between the Smart Speaker and the cloud.</p>	