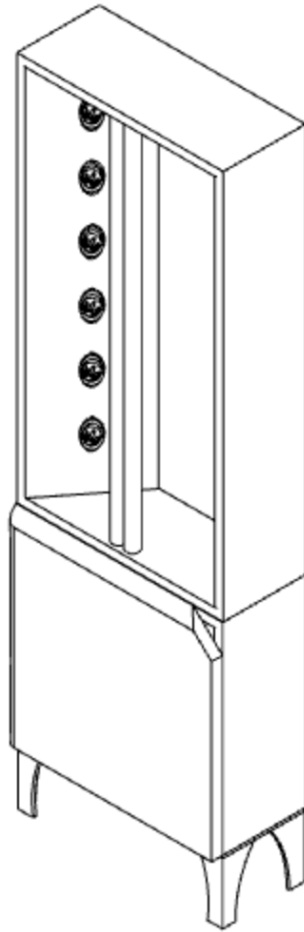


EVE



 **JUST VERTICAL**

Video Guide: <https://rb.gy/7ypi2g>

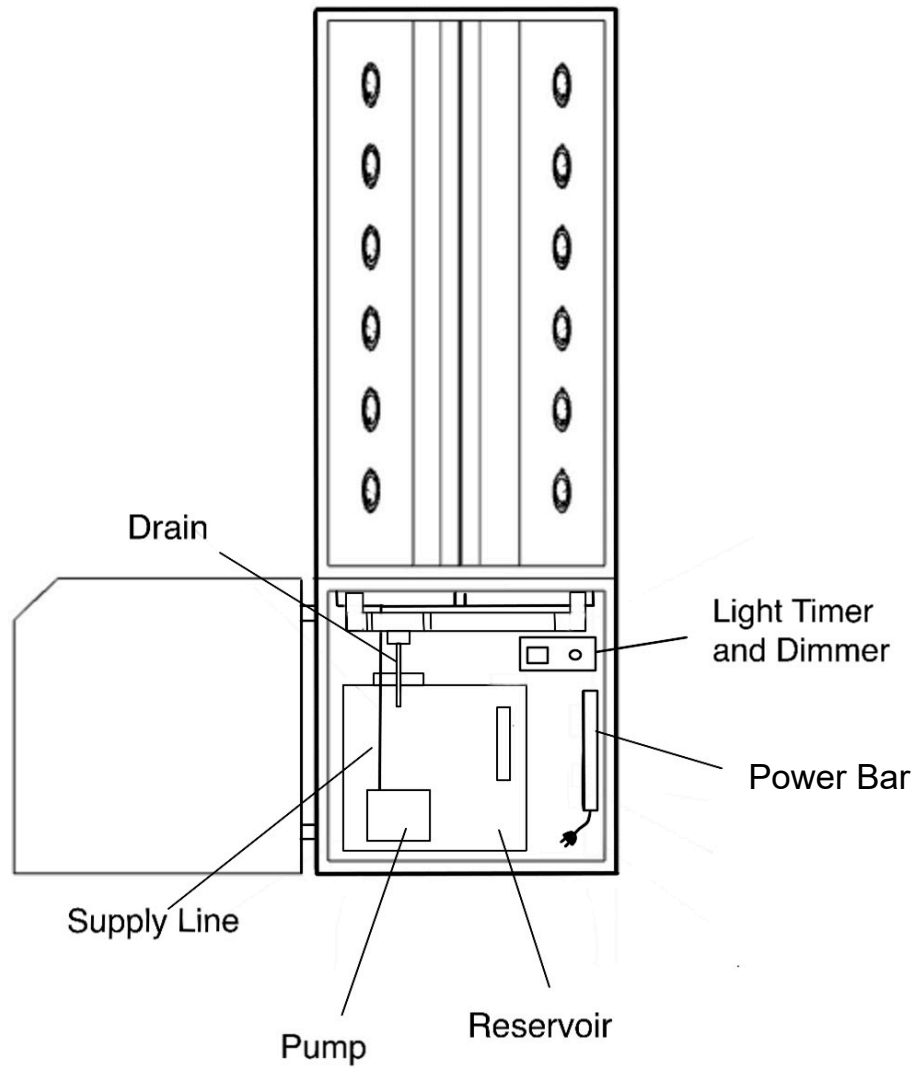


SCAN ME

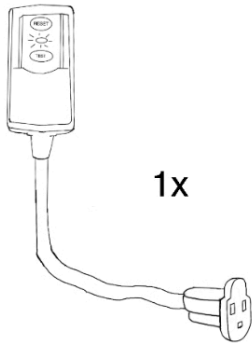
DISCLAIMER

For your safety, read and understand all instructions prior to installing or starting the EVE. Failure to follow instructions could lead to damages, injury or fire.

WHAT IS INSIDE YOUR EVE?



GFCI Cable



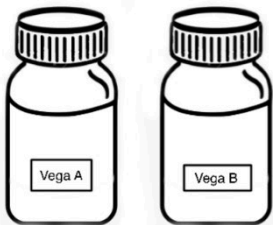
1x

Peat Moss Grow Plug



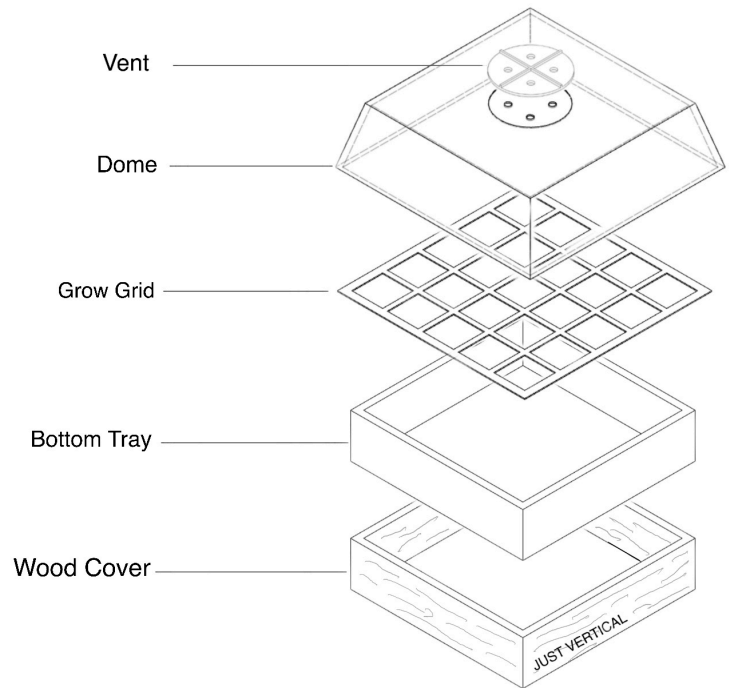
16x

Nutrient Bottles



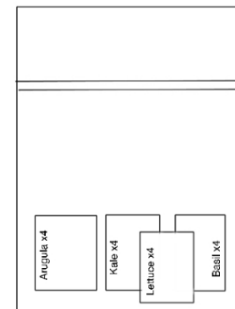
1x

Seedling Kit



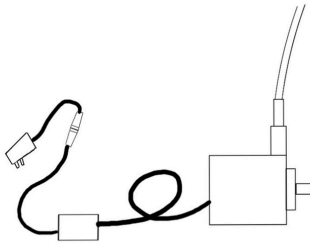
1x

Seed Pack



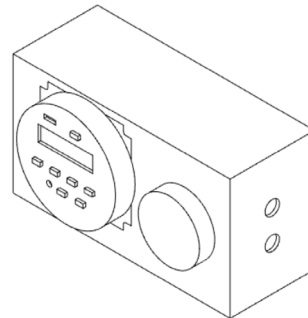
1x

**Pump and Housing
Box**



1x

Lighting Timer & Dimmer



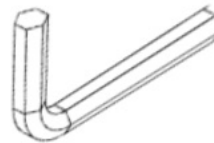
1x

EVE Feet and Screws



4x

Allen Key

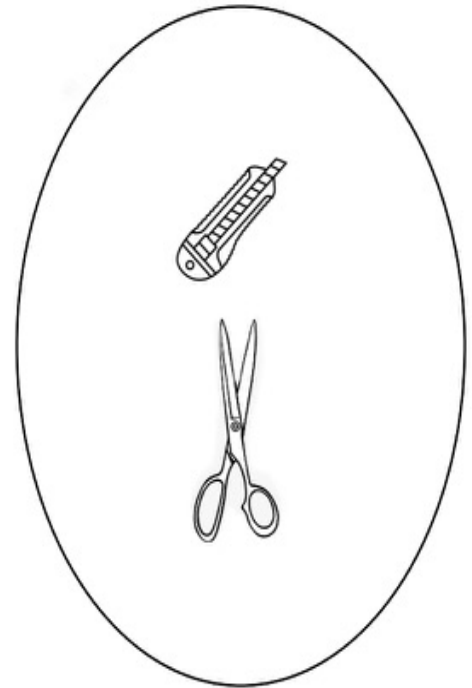
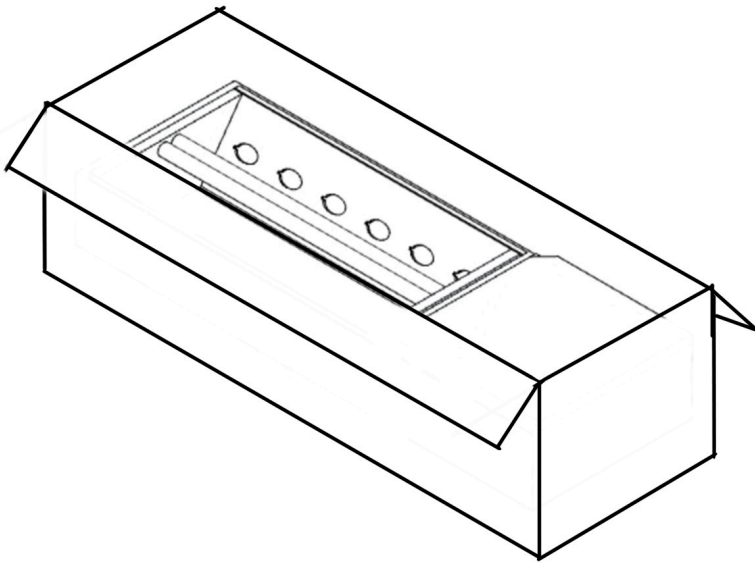


1x

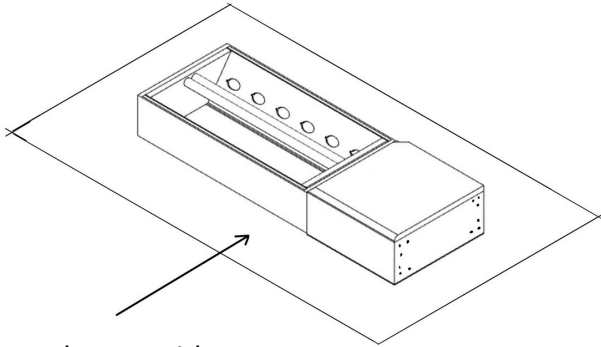


16x

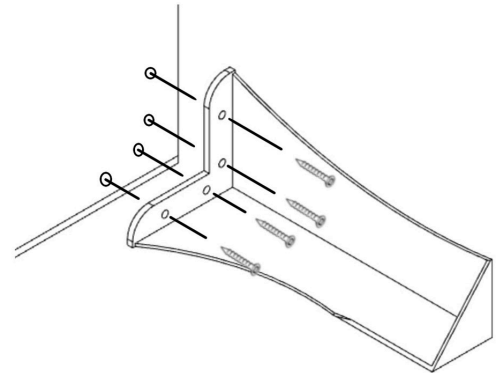
STEP 1: UNPACK



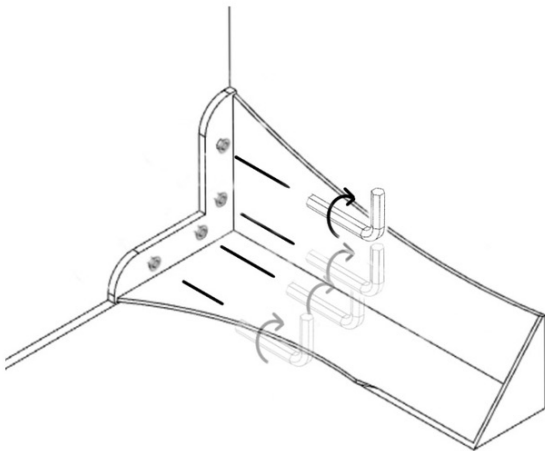
STEP 2: ADDING ON THE FEET



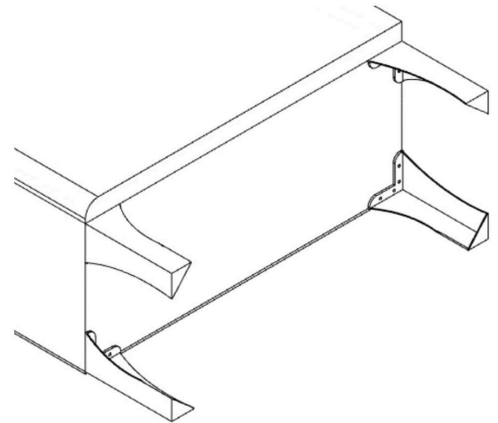
Lay down the EVE either on the cardboard packaging or on a carpet or rug



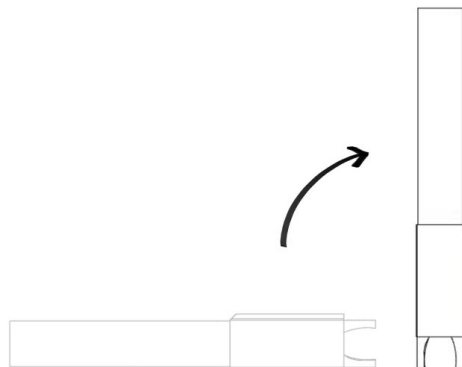
Align holes on the feet with the holes on the cabinet and insert the screws



Use the Allen key to tighten the screws

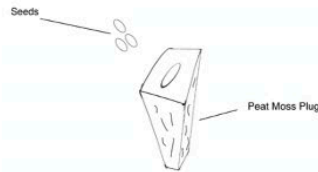
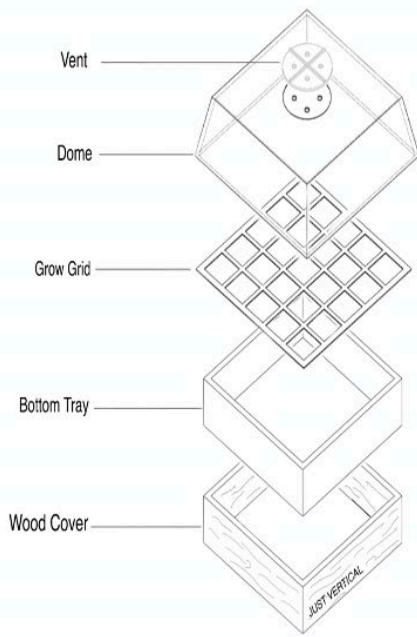


Repeat for the 3 other feet

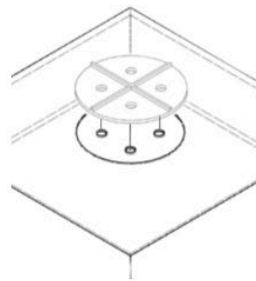
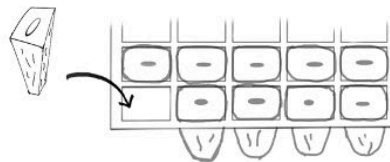


Put the EVE back into an upright position

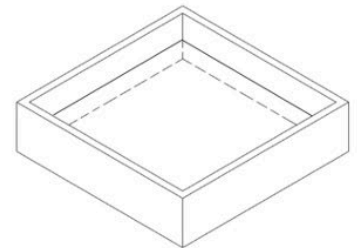
STEP 3: PLANTING YOUR SEEDS IN THE SEEDLING KIT



Seeding: 3 – 5 seeds per plug

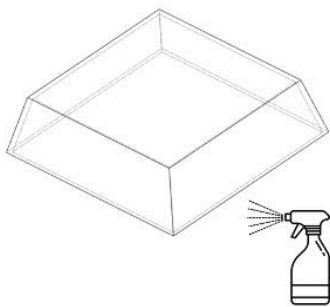


Make sure holes on the vent and the top cover are aligned into an open position to support plant germination and airflow

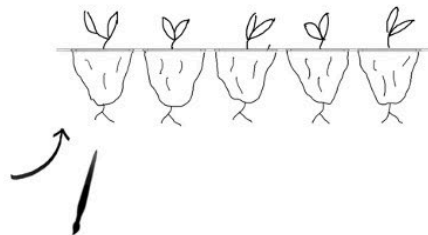
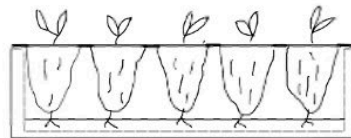


Fill the bottom plastic tray halfway with cold water

- Recommendations:**
1. Place on trapezoid piece of AEVA / EVE
 2. Place near additional / alternative light source
 3. Place near window
- (Warm place is ideal)**



Spray Seedling tray cover with warm water once a day

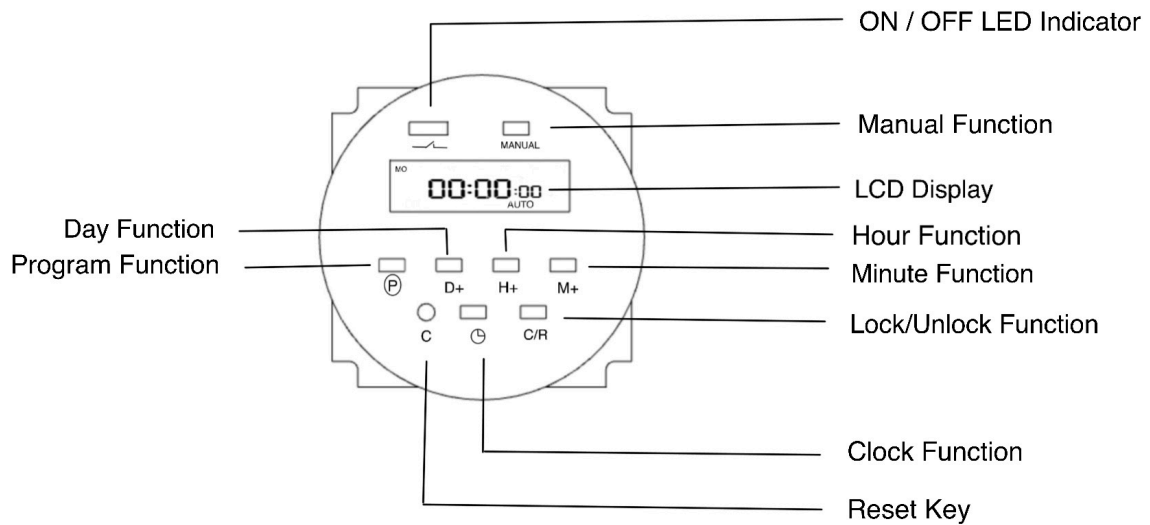
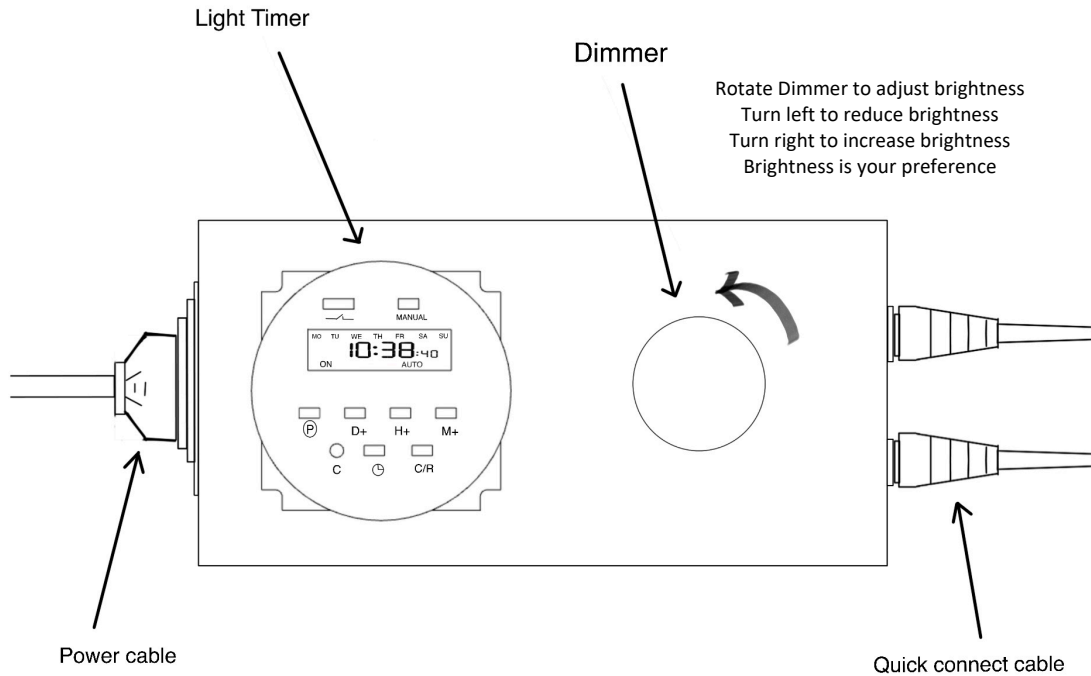


Transplanting Recommendation:
When height of the plant is 2 inches (5cm) in height or when the plant is close to reaching the top of the germination dome.

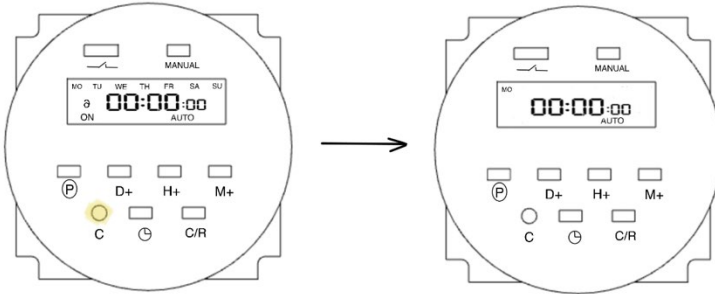
Recommendations and Grow Tips for Optimal Growing in the Seedling Kit

1. Plant 3 – 5 seeds per plug.
2. Place the plugs into the grow grid.
3. Fill the bottom tray halfway with cold water.
4. Place the grow grid with the plugs into the bottom tray.
5. Allow the plugs to soak for 20 minutes.
6. Discard the water in the bottom tray and place the grow grid back into an empty bottom tray.
7. Spray the dome with warm water and place it over the grow grid.
8. Repeat 3 – 7 twice a day
9. Place the seedling kit near a light source, make sure it is exposed to a light source for 16 – 18 hours a day.
10. Do not leave seedlings for more than 6 weeks in the seedling kit. This is to avoid, overcrowding, other plants shading other plants from light source and avoids plants from becoming root bound.
11. Extra tip: to add nutrients to the water, only add 1ml of Vega A and 1ml of Vega B nutrients per watering.

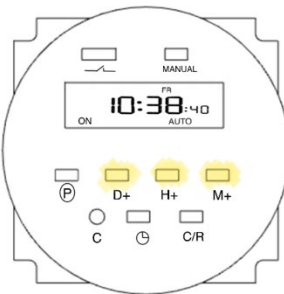
STEP 4: TIMER SETUP



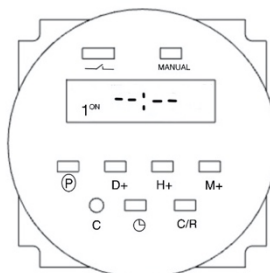
SETTING YOUR TIMER



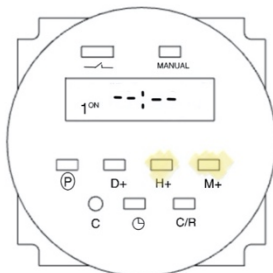
Press the 'C' key in order to reset the timer.



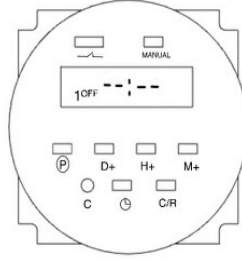
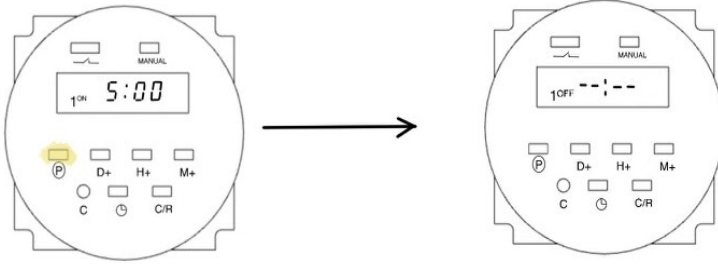
Use the D+, H+ & M+ buttons to adjust the time on the timer to be the same as the current time.



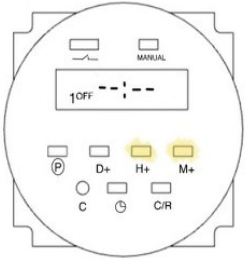
Press the P button. '1ON' should appear on the left side of the display. '1ON' indicates program 1 ON.



Use the H+ & M+ buttons to set to your preferred time you want your lights to come on. We chose 5 am for this example.

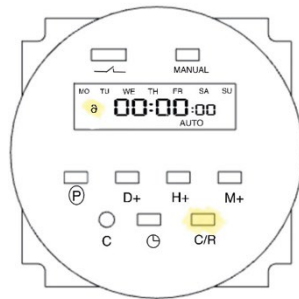


Press the P button again. '1OFF' should appear on the left side of the display. '1OFF' indicates Program 1 OFF



Use the H+ & M+ buttons to set to your preferred time you want your lights to turn off. We chose 11 pm for this example. We recommend 18 hours ON and 6 hours OFF for optimal growth.

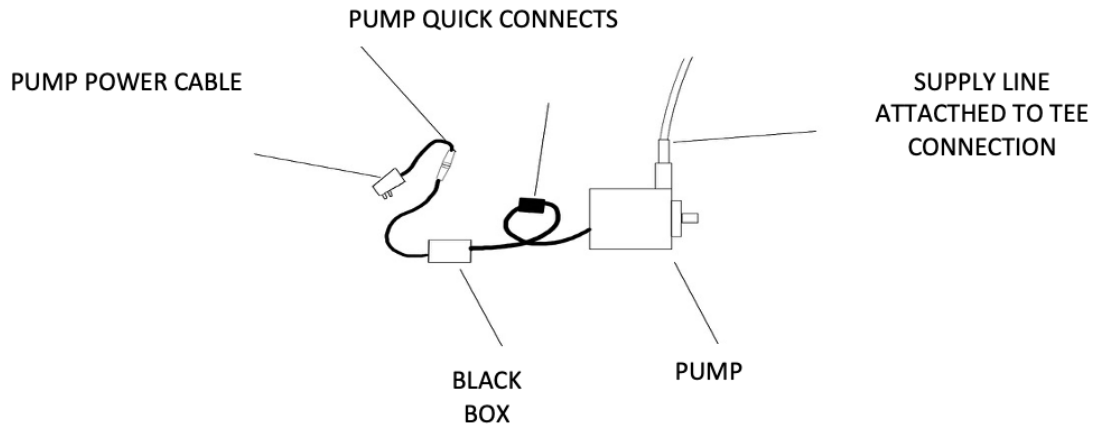
NOTE



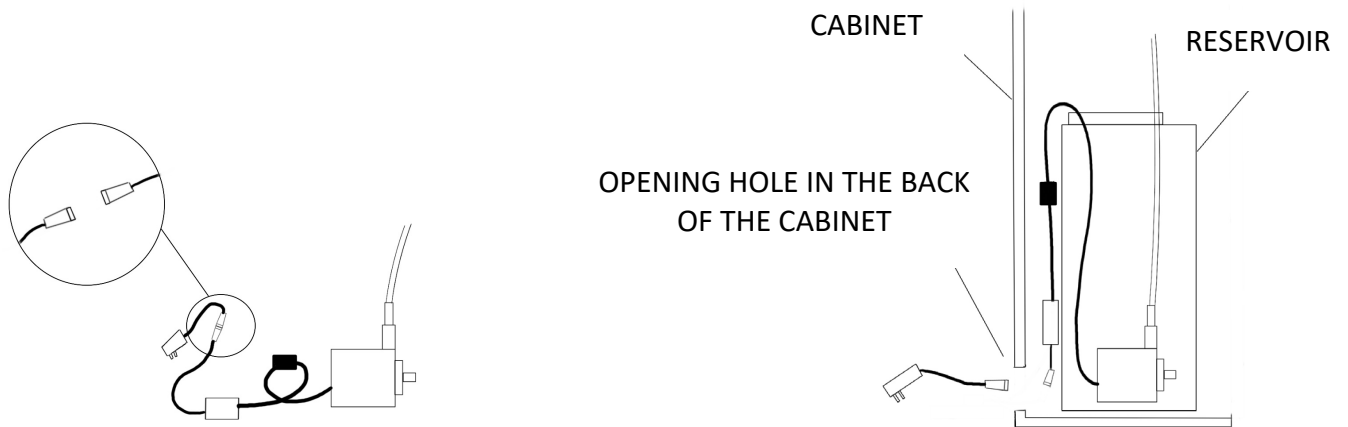
You will not be able to make changes to your timer if the $\bar{\delta}$ symbol is shown. This is to prevent any unwanted changes to your timer. Press the C/R button 4 times in order to unlock the timer. Once the $\bar{\delta}$ symbol disappears, you can now make changes.

PUMP SET-UP:

Note: Your pump is already pre-set for the irrigation for 20 seconds ON and 30 minutes OFF.

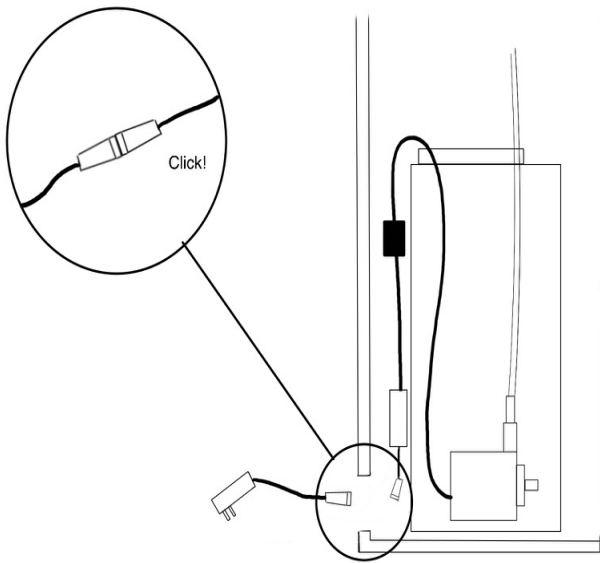


Take your pump out of the box and setup as shown in the image above. Connect the clear supply line to the pump

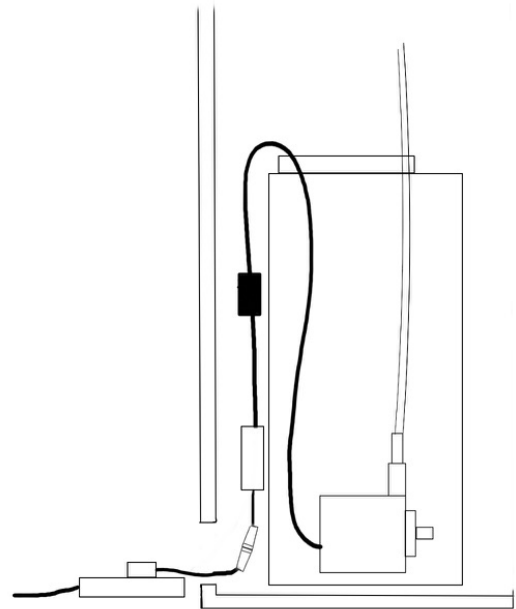


DISCONNECT THE QUICK CONNECT

PASS THE QUICK CONNECT THROUGH THE OPENING IN THE CABINET AS SHOWN



**CONNECT THE QUICK CONNECTS
AS SHOWN**

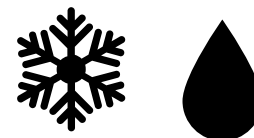


**PLUG THE PUMP POWER CABLE
INTO THE POWER BAR AS
SHOWN**

Note: for the first 5 times your pump starts running, you will notice a buzzing sound. This is normal for new pumps.

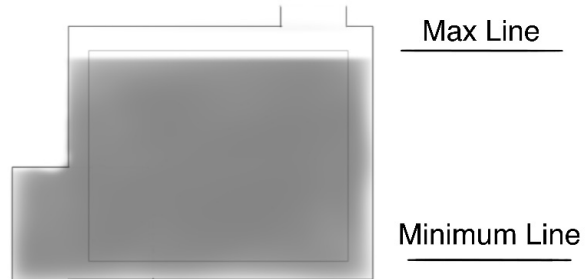
STEP 5: FILLING YOUR RESEVOIR

Note: Only fill the reservoir when plants are transferred to EVE after germination in seedling kit

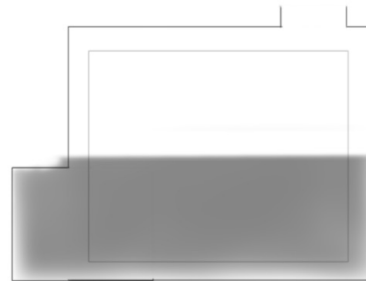


RESERVOIR

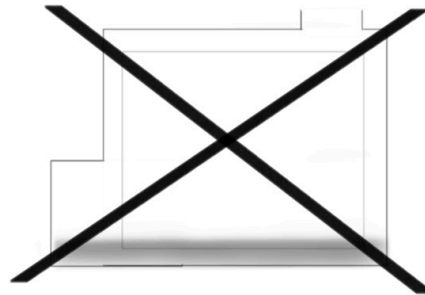
FULL RESEVOIR, WILL LAST
UP TO 2 WEEKS*



HALF-FULL RESEVOIR,
WILL LAST UP TO 1 WEEK*

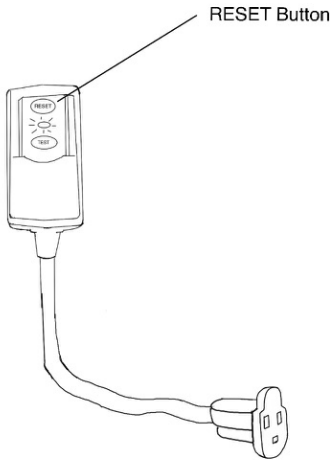


FILL IMMEDIATELY!!!

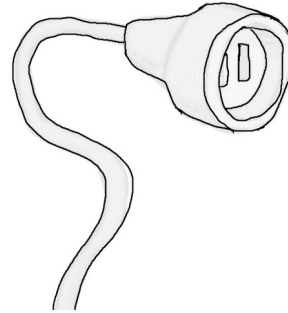


*The amount of time water in the reservoir will last depends on the size of plants and the irrigations cycles

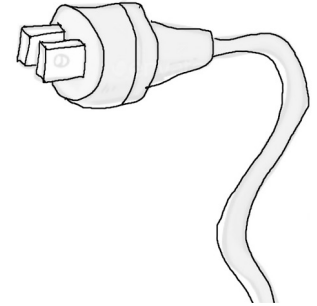
STEP 6: TURNING ON YOUR EVE



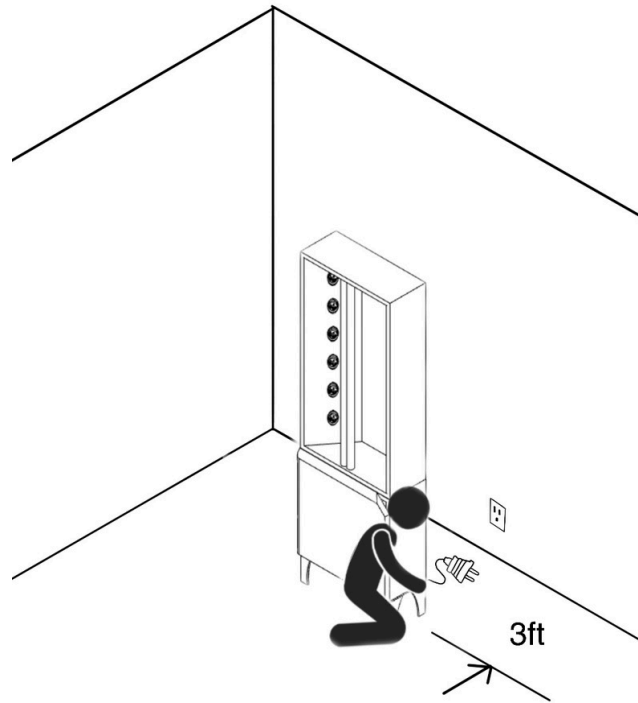
GFCI Cable



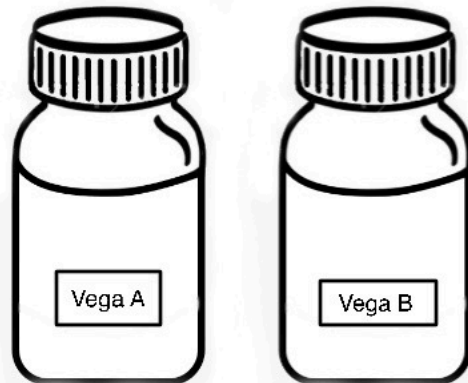
GFCI Plug



Power Bar



STEP 7: ADDING NUTRIENTS

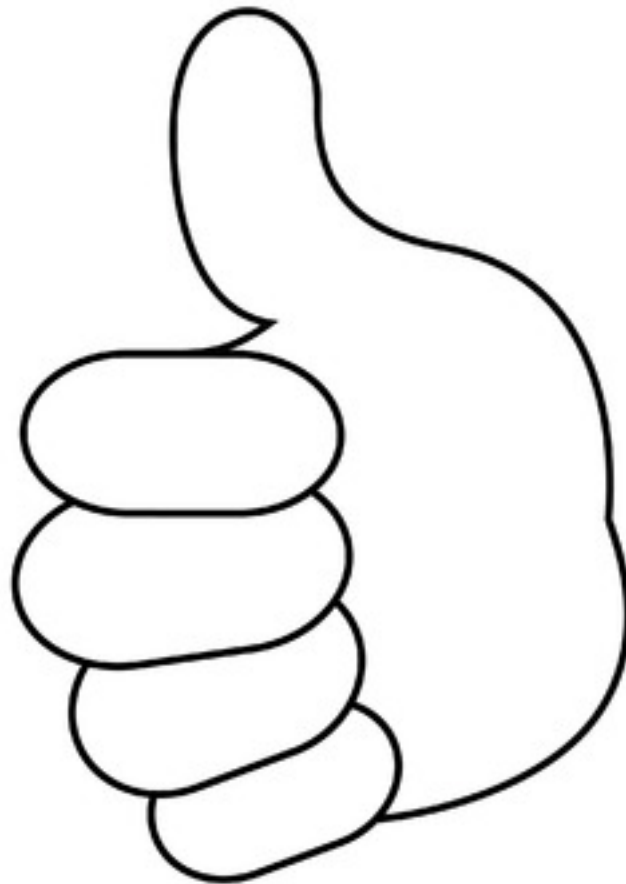


60mL of Vega A and Vega B

Each cap full is equivalent to 10mL

Add 20mL of Vega A and 20mL Vega B nutrients to the reservoir after you have moved your **germinated** plants / **seedlings** from the seedling kit into the EVE, as shown on **page 8**. After every 2 weeks inside the EVE, add 10mL of Vega A and 10mL of Vega B.

STEP 8: COMPLETE!



**ANY FURTHER QUESTIONS, COMMENTS OR CONCERNS? EMAIL US AT
SUPPORT@JUSTVERTICAL.COM**