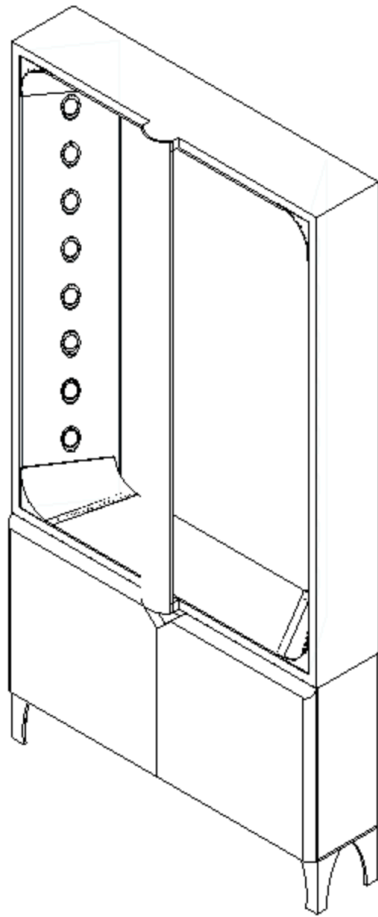


# AEVA



 **JUST VERTICAL**

Video also available at: <https://youtu.be/7AQ85Ub2vx8>



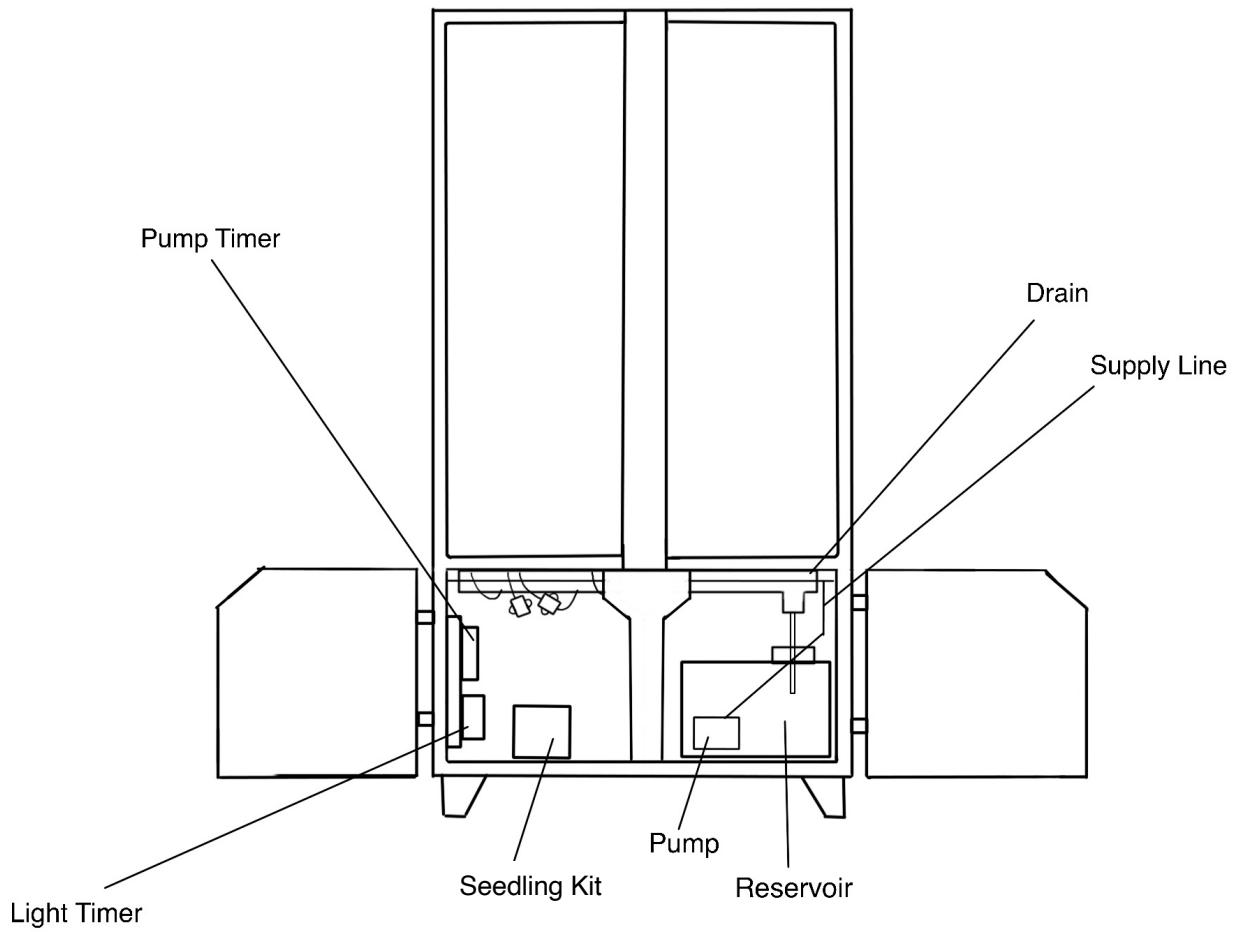
SCAN ME

**DISCLAIMER:**

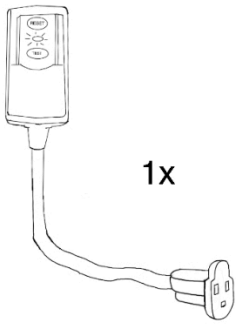
For your safety, read and understand all instructions prior to installing or turning on the AEVA. Failure to follow instructions could lead to damages, injury or fire. Make sure all parts shown in pages 3 – 5 arrived with your AEVA. Please contact [support@justvertical.com](mailto:support@justvertical.com) if there are any missing parts, or any questions, or concerns.

Recommended best growing practices are highlighted in the maintenance guidelines detailed on page 16 of the AEVA manual. This includes trimming the roots of your plants to the recommended length, wiping off any debris in your unit, harvesting regularly, properly supporting large plants, etc. Failure to follow maintenance guidelines for your AEVA may lead to improper plant growth and poor AEVA growing performance.

# WHAT IS INSIDE YOUR AEVA?



**GFCI Cable**



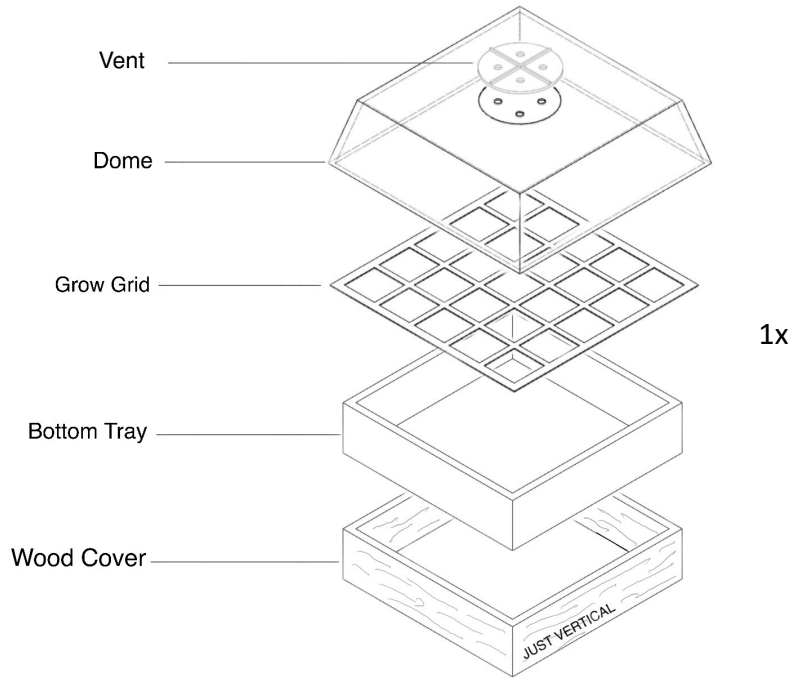
1x

**Peat Moss Grow Plug**

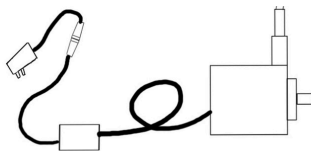


16x

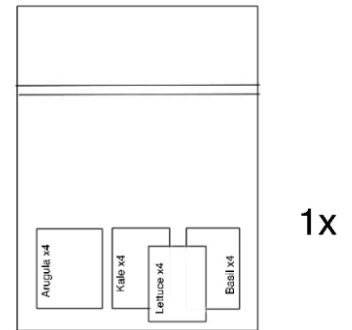
**Seedling Kit**



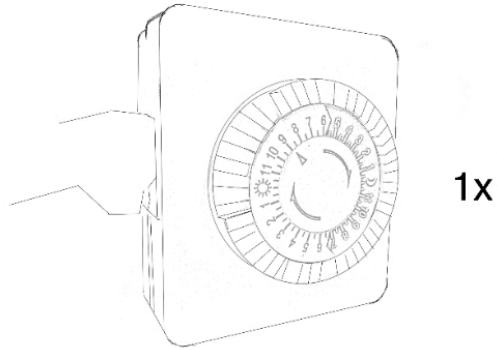
**Pump and Housing Box**



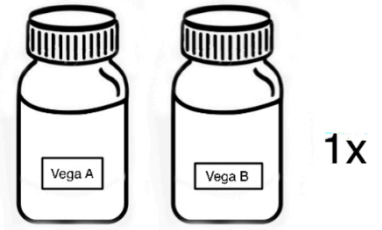
**Seed Pack**



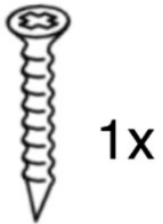
**Light Timer**



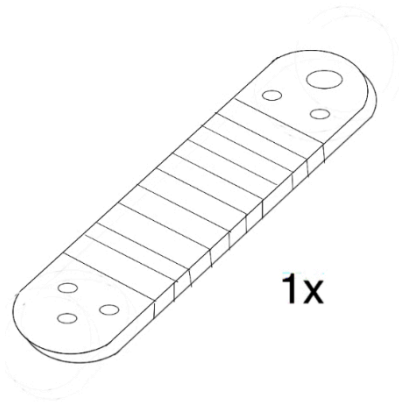
**Nutrient Bottles**



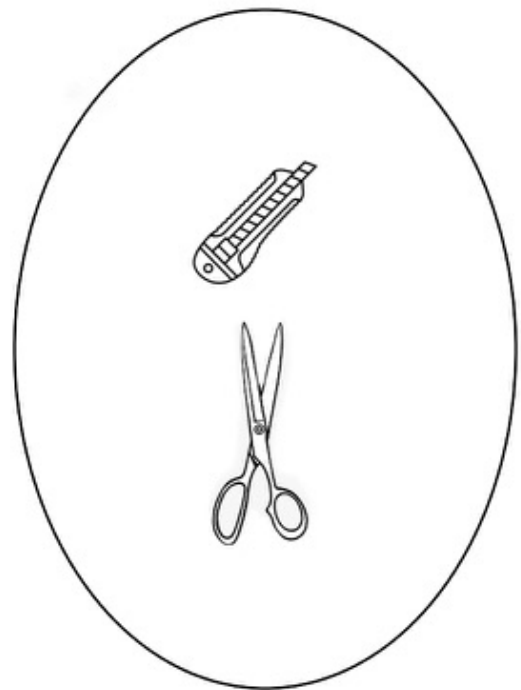
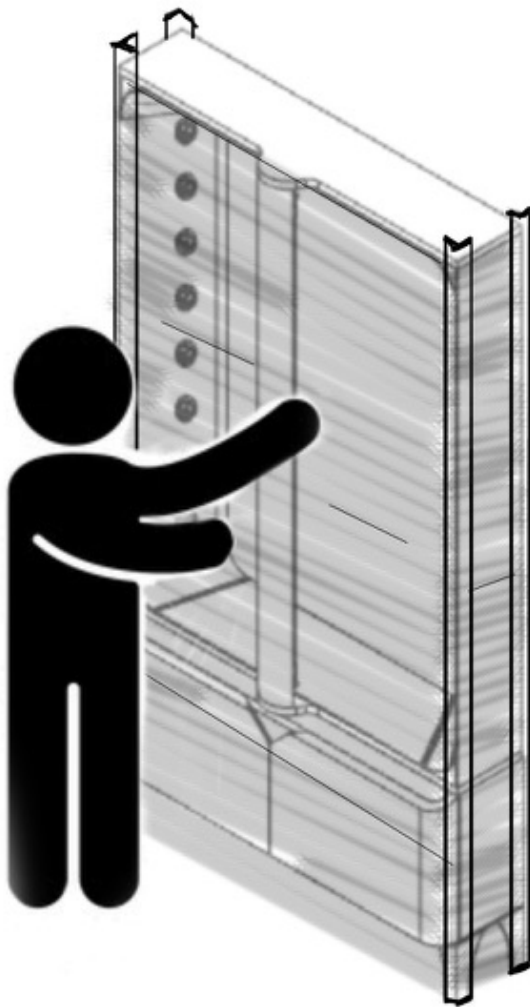
**Screws for Wall Anchor**



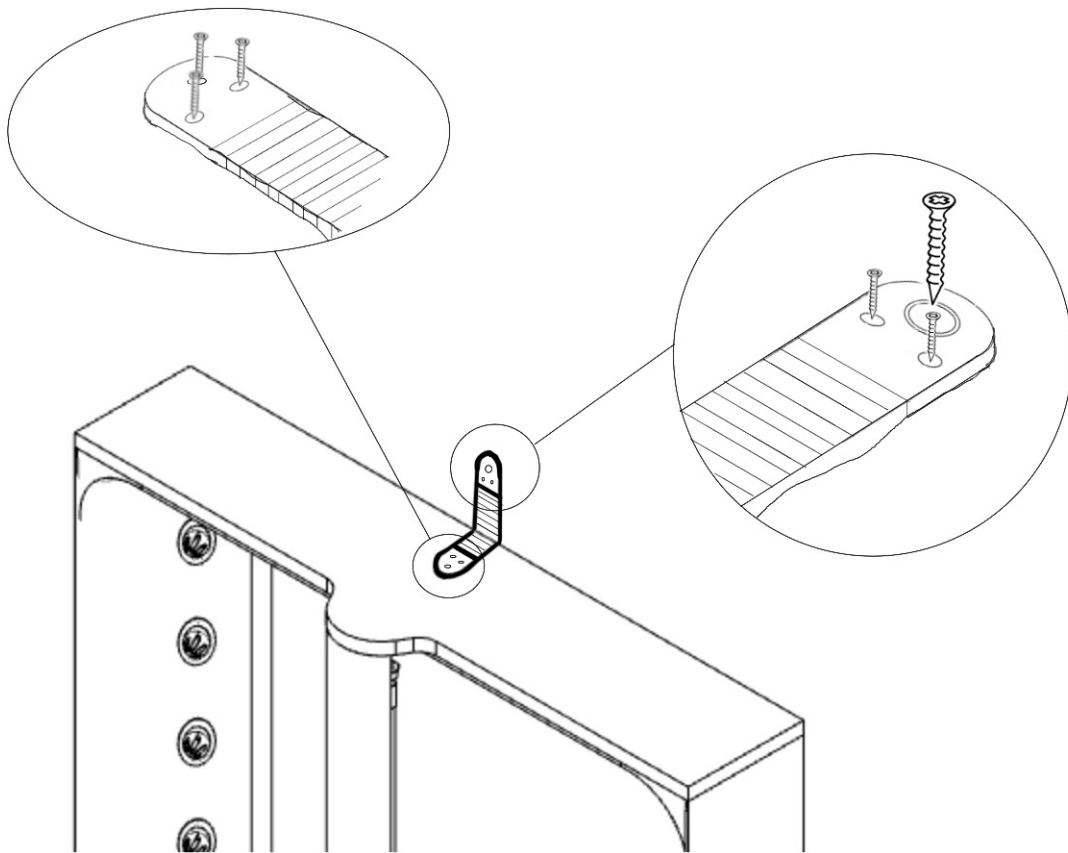
**Wall Anchor**



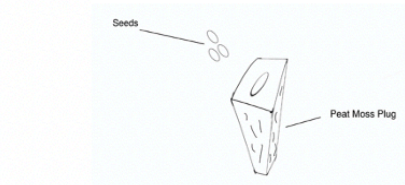
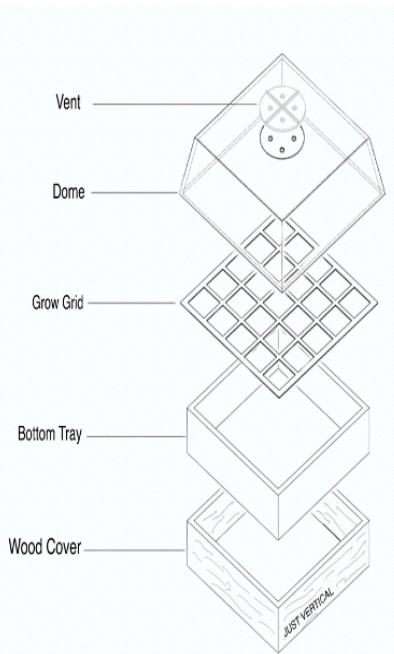
# STEP 1: UNPACK



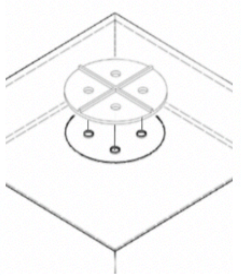
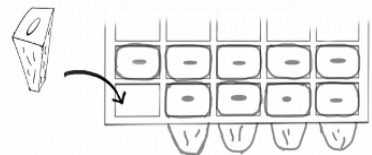
## STEP 2: MOUNTING YOUR AEVA TO THE WALL



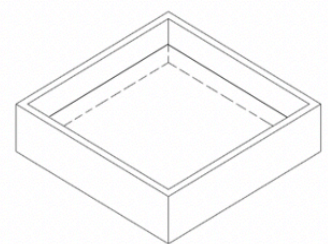
# STEP 3: PLANTING YOUR SEEDS IN THE SEEDLING KIT



**Seeding: 3 – 5 seeds per plug**

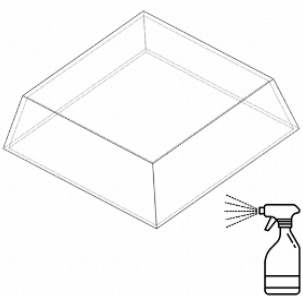


**Make sure holes on the vent and the top cover are aligned into an open position to support plant germination and airflow**

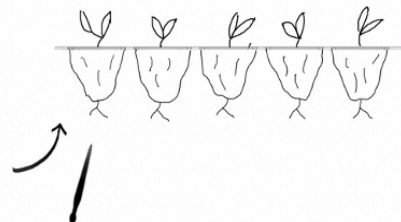
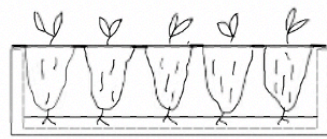


**Fill the bottom plastic tray halfway with cold water**

- Recommendations:**
1. Place on trapezoid piece of AEVA / EVE
  2. Place near additional / alternative light source
  3. Place near window
- (Warm place is ideal)**



**Spray Seedling tray cover with warm water once a day**



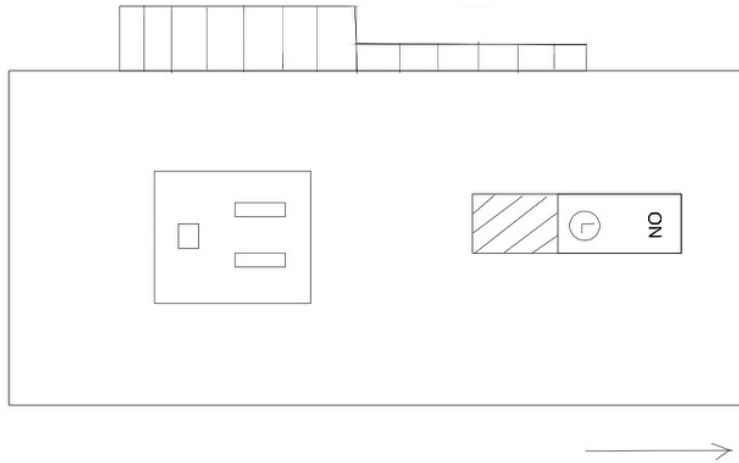
**Transplanting Recommendation:**  
When height of the plant is 2 inches (5cm) in height or when the plant is close to reaching the top of the germination dome.



### Recommendations and Grow Tips for Optimal Growing in the Seedling Kit

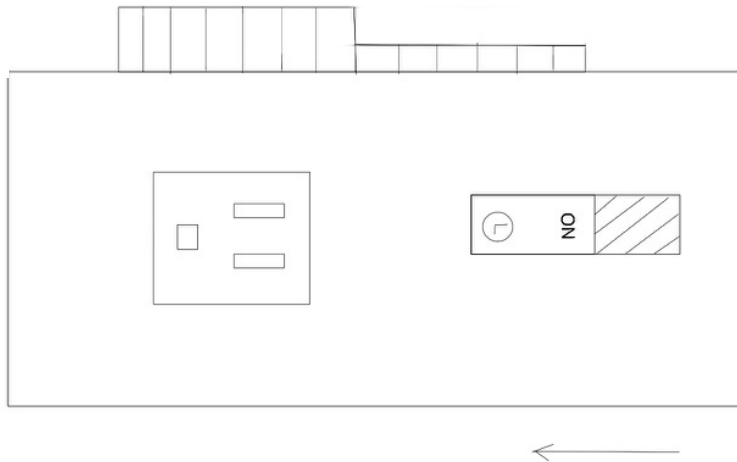
1. Plant 3 – 5 seeds per plug.
2. Place the plugs into the grow grid.
3. Fill the bottom tray halfway with cold water.
4. Place the grow grid with the plugs into the bottom tray.
5. Allow the plugs to soak for 20 minutes.
6. Discard the water in the bottom tray and place the grow grid back into an empty bottom tray.
7. Spray the dome with warm water and place it over the grow grid.
8. Repeat 3 – 7 twice a day
9. Place the seedling kit near a light source, make sure it is exposed to a light source for 16 – 18 hours a day.
10. Do not leave seedlings for more than 6 weeks in the seedling kit. This is to avoid, overcrowding, other plants shading other plants from light source and avoids plants from becoming root bound.
11. Extra tip: to add nutrients to the water, only add 1ml of Vega A and 1ml of Vega B nutrients per watering.

# STEP 4: TIMER SETUP



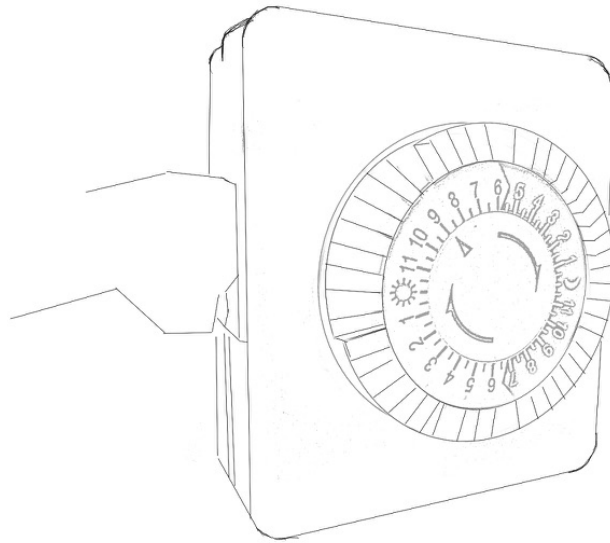
ALWAYS ON

For ALL Timers Segments  
Down for ON  
Up for OFF



TIMER SETTING ON

LIGHTS TIMER

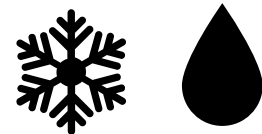
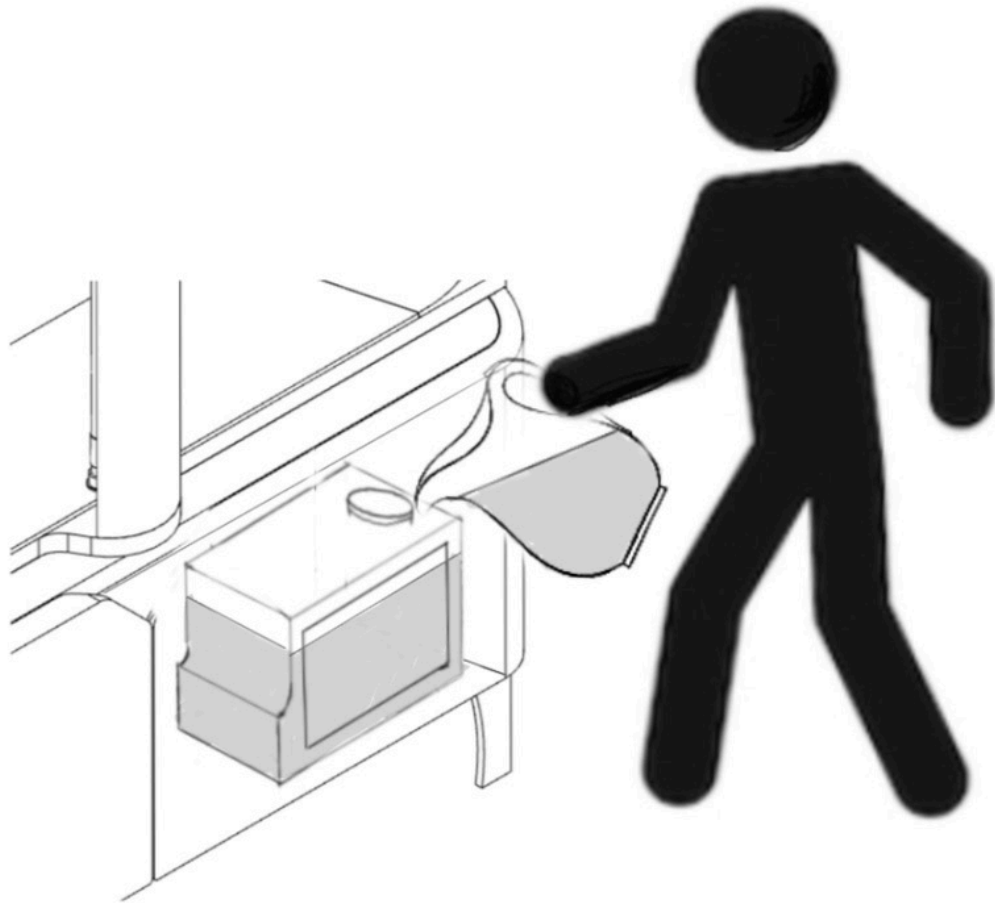


Each segment on the light timer indicates 30 minutes

Light timers should be set for 18 hours ON and 6 hours OFF

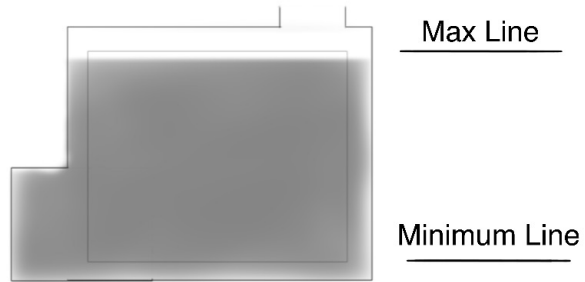
## **STEP 5: FILLING YOUR RESEVOIR**

*Note: Only fill the reservoir when plants are transferred to AEVA after germination in seedling kit*

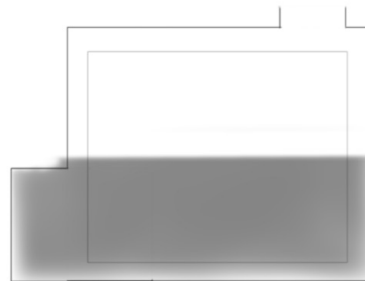


# RESERVOIR

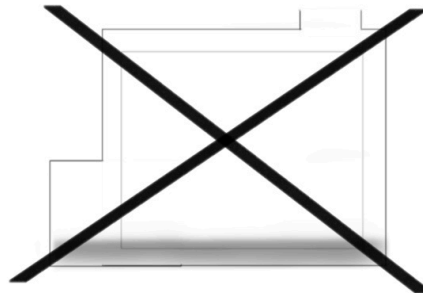
FULL RESEVOIR, WILL LAST  
UP TO 2 WEEKS\*



HALF-FULL RESEVOIR,  
WILL LAST UP TO 1 WEEK\*



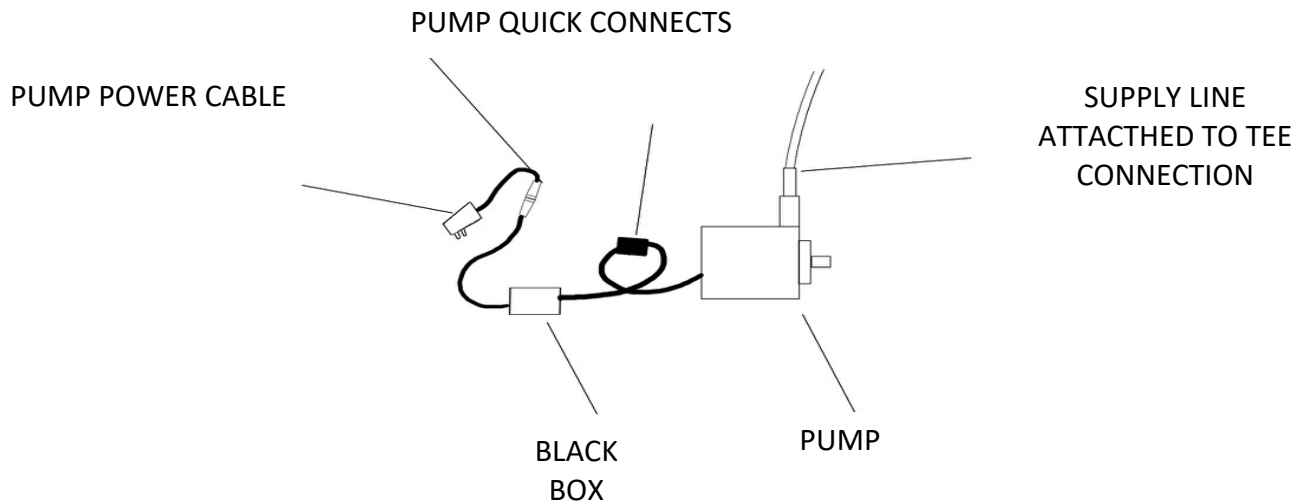
FILL IMMEDIATELY!!!



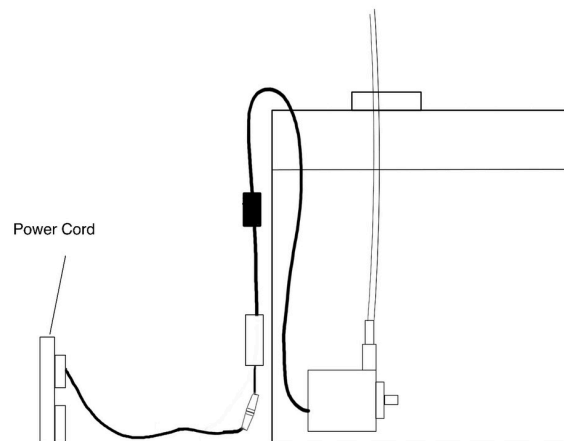
\*The amount of time water in the reservoir will last depends on the size of plants and the irrigations cycles

## STEP 6: PUMP SET-UP:

*Note: Your pump is already pre-set for the irrigation for 20 seconds ON and 30 minutes OFF.*



Take your pump out of the box and setup as shown in the image above. Connect the clear supply line to the pump

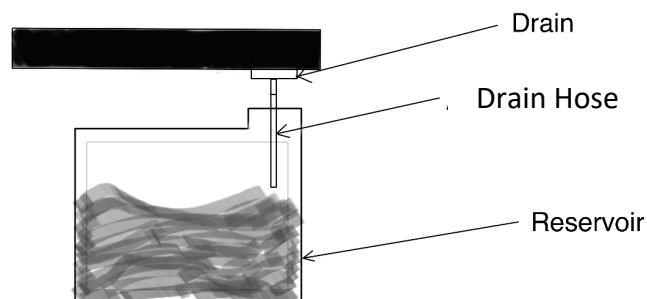


Once you have filled your reservoir with cold water, you can go ahead and just plug in your pump to the power bar located on the inside of the cabinet. Please make sure the quick connect cables and black box are position outside of the reservoir and only the pump is submerged in water.



## BEFORE TURNING ON YOUR AEVA

Make sure your Drain Hose is placed inside the reservoir as shown in the image below.

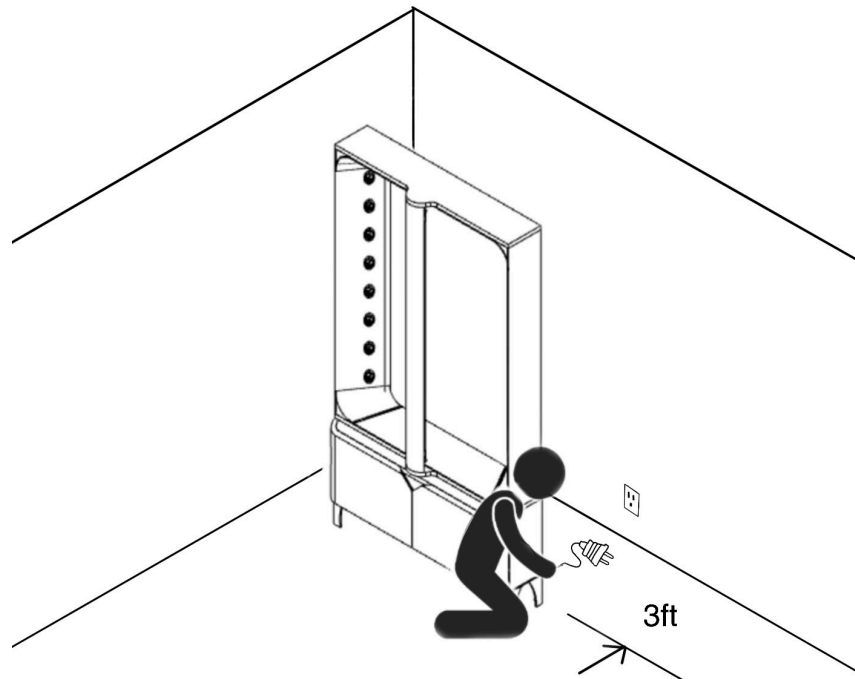
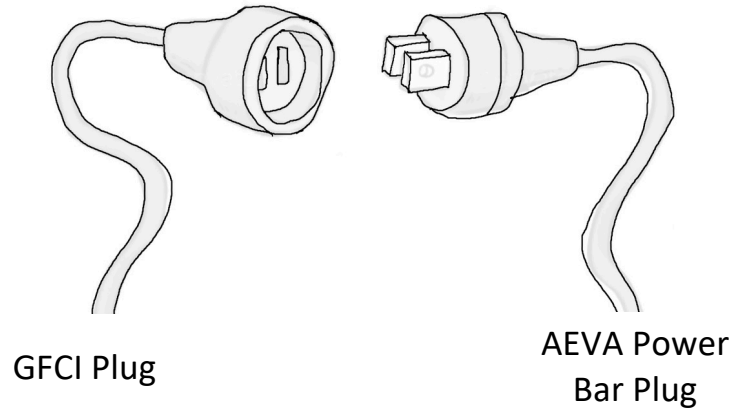
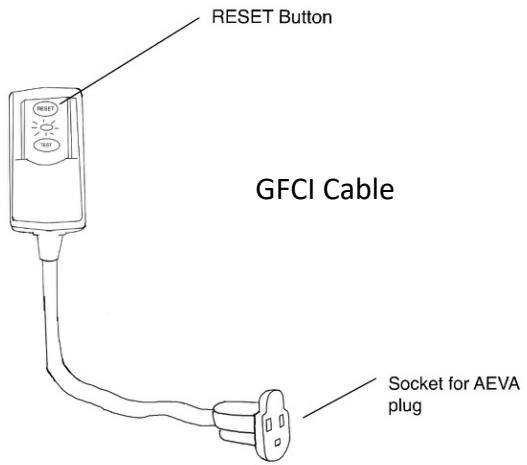


Make sure the supply line is securely attached to the pump.

Make sure you have set-up your AEVA according to the instructions above.

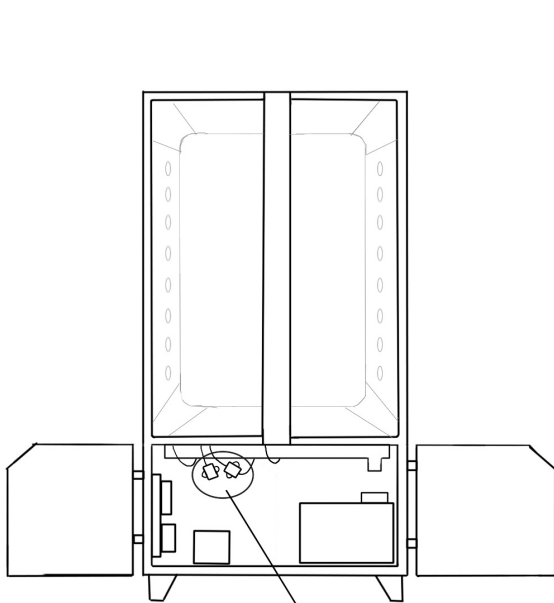
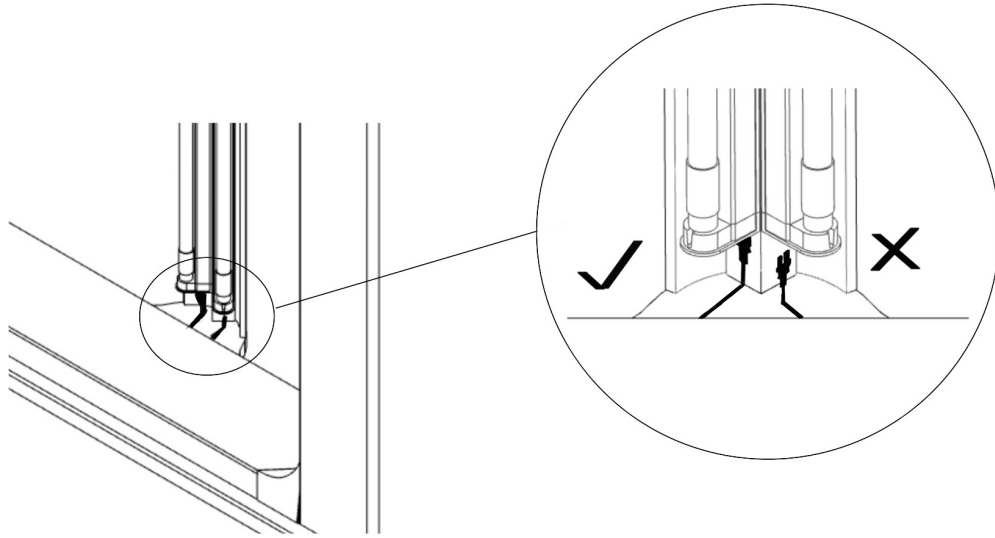
If you are missing any parts, or have any questions, or concerns please contact [support@justvertical.com](mailto:support@justvertical.com)

# STEP 7: TURNING ON YOUR AEVA

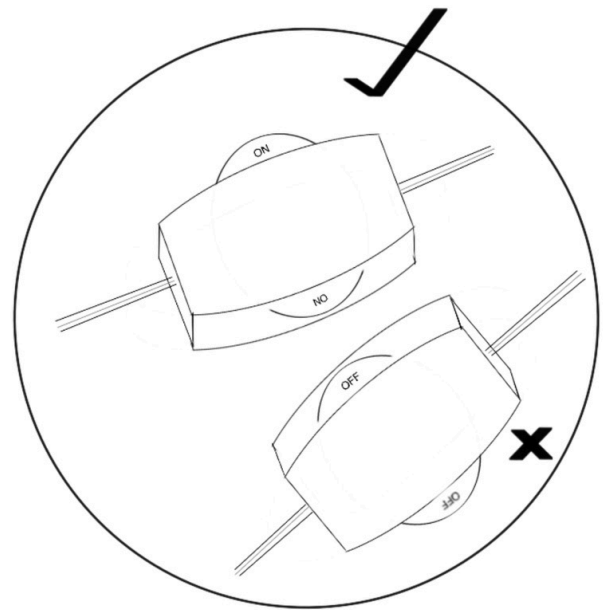




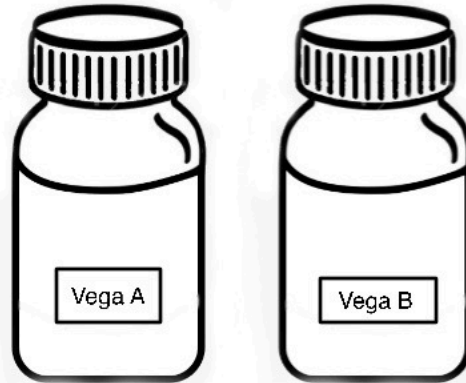
# LIGHTS NOT TURNING ON?



Roller Clickers



## STEP 8: ADDING NUTRIENTS

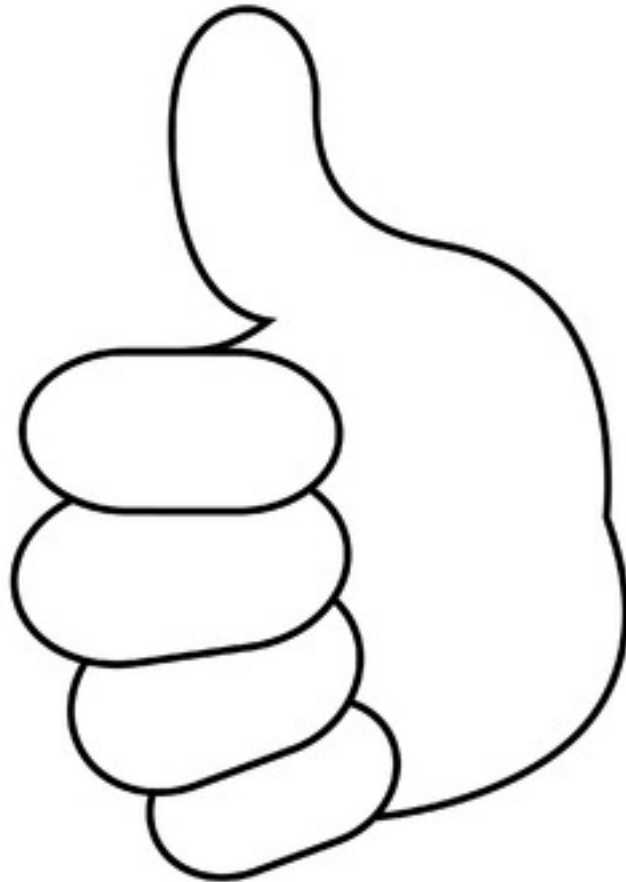


60 ml of Vega A and 60mL of Vega B in each bottle

Each cap full is equivalent to 10mL

Add 20mL of Vega A and 20mL Vega B nutrients to the reservoir after you have moved your **germinated** plants / **seedlings** from the seedling kit into the AEVA, as shown on **page 8**. After every 2 weeks inside the AEVA, add 10mL of Vega A and 10mL of Vega B.

## **STEP 9: COMPLETE!**



**ANY FURTHER QUESTIONS, COMMENTS OR CONCERNS? EMAIL US AT  
SUPPORT@JUSTVERTICAL.COM**