

Notes for Use

1. Be sure to check whether the lock button can work normally before use. If it is damaged, please stop using the device.
2. To prevent injury, please wear appropriate clothing, goggles and gloves before use.
3. When the device is running, the distance between the human body and the cut area is at least 6inch.
4. Do not cut branches larger than 6inch in diameter.

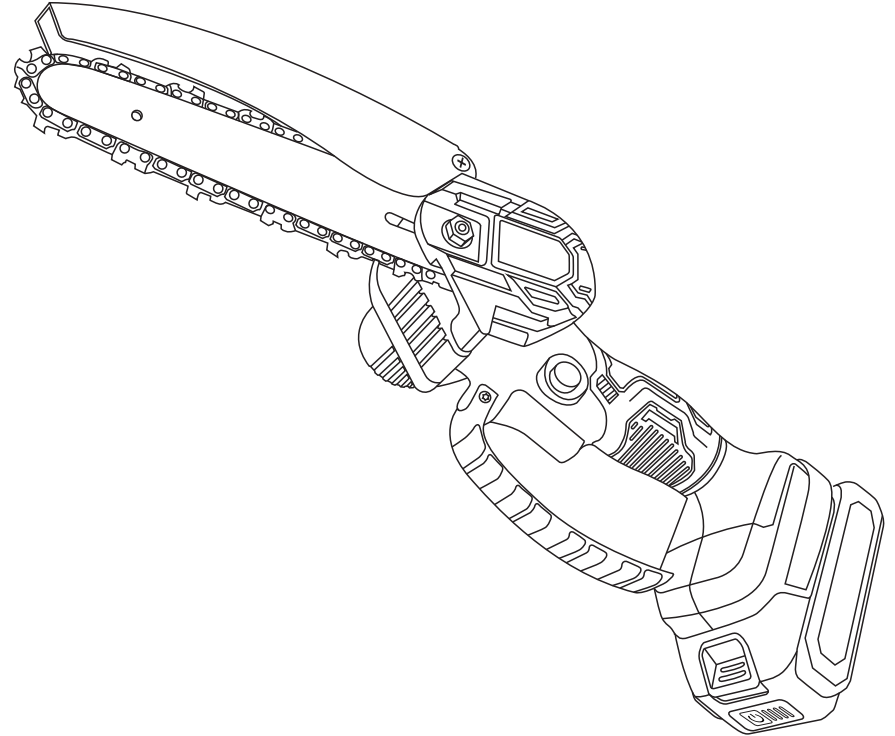
Welcome to contact us by mail with your order ID within 14 days of purchase to get 12 months warranty.

Email: hello@uuplife.com

If you are not completely satisfied, please feel free to let us know, we will try our best to solve your problems and meet your requirements.

UUPLife

– Make work easier and faster! –

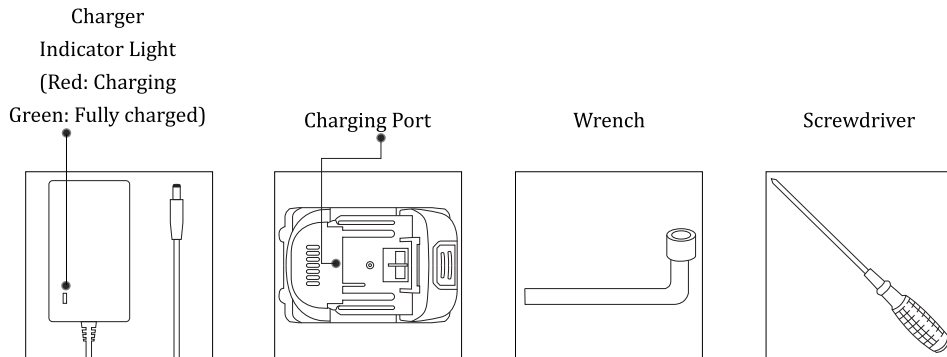
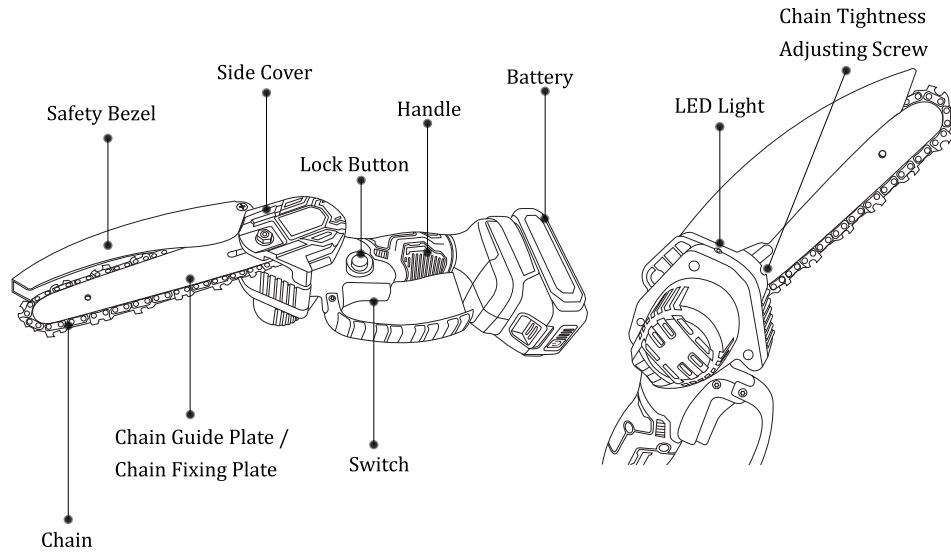


6" Mini Cordless Chainsaw

If you have any questions or comments,
please feel free to contact us at first.

Email: hello@uuplife.com

Product Description



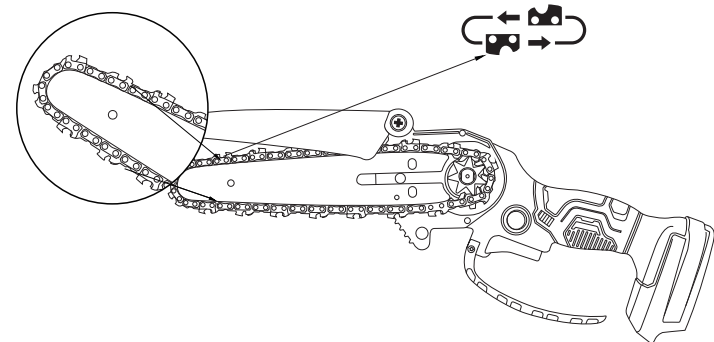
Specifications

Length of Guide Plate		6 inch
Battery	Type	Li-ion
	Voltage	DC21V
	Capacity	1500mAh
Input		100-240V, AC50-60Hz
Output		DC21V
Charging Current		0.8A
Charging Time		About 2 Hours
Weight (No Battery)		1.95 Pound
Weight (Battery)		2.69 Pound

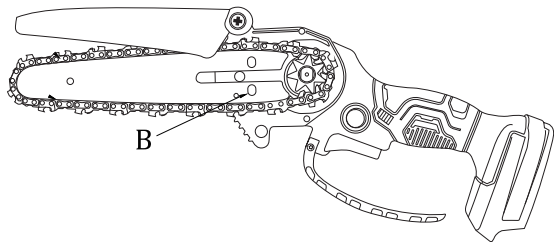
Chain Installation

Tips (For safety, please remove battery before chain installation)

1. When installing the chain, please note the small cutting teeth on the upper part of the chain is on the left and the large cutting teeth is on the right, the direction of cutting teeth on the lower part of the chain is opposite. As shown in the figure.

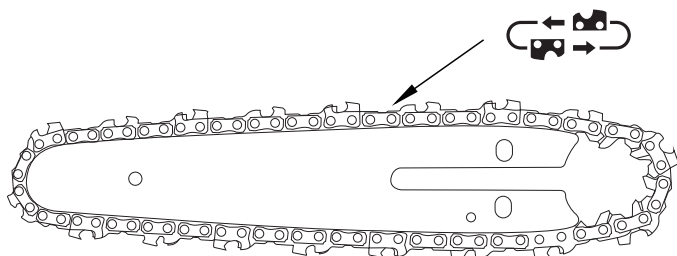


2. The chain tightness adjusting unit must be placed into the positioning adjustment hole at the end of the guide plate, as shown at B in the figure.

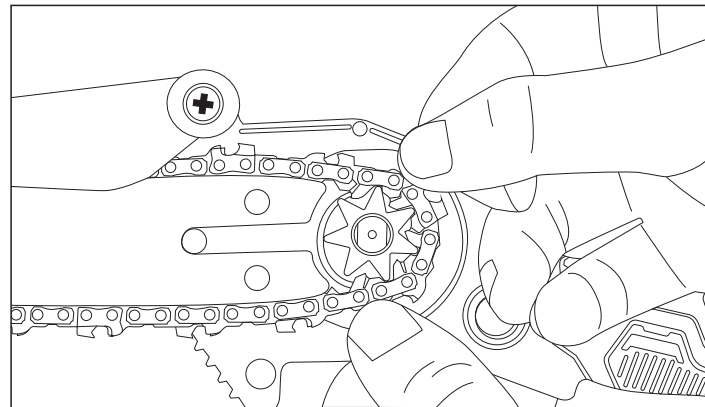


Steps for chain installation

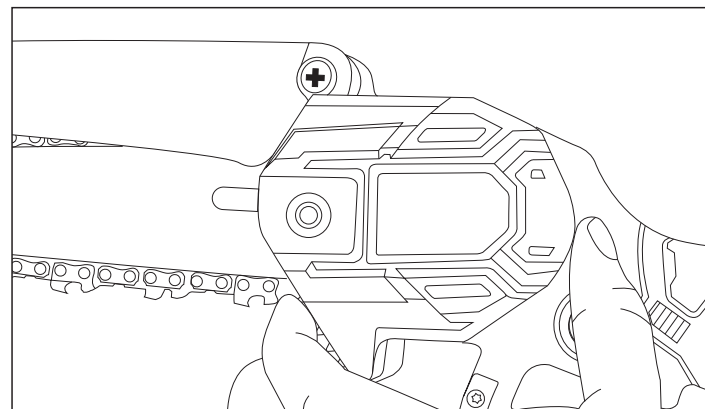
Step 1: Put the chain into the guide groove of the guide plate, pay attention to the direction of chain.



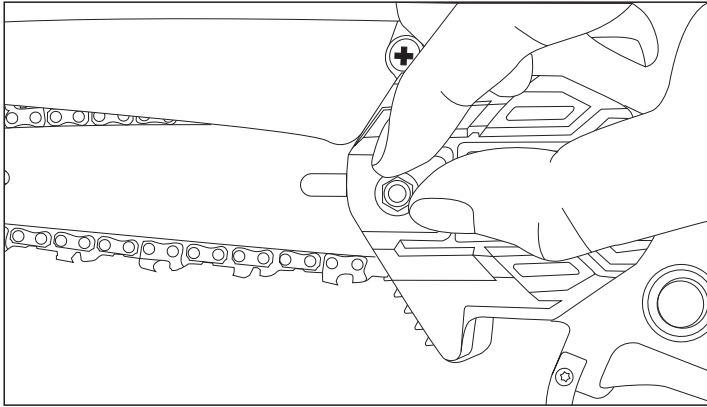
Step 2: The extra chain is put on the gear.



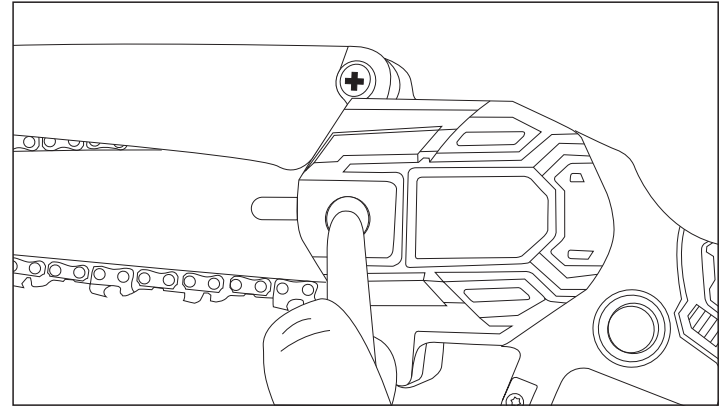
Step 3: Attach the side panel cover.



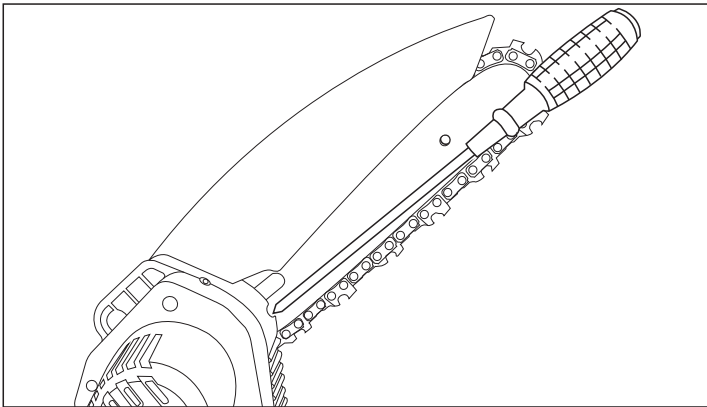
Step 4: Put in the screw without tightness.



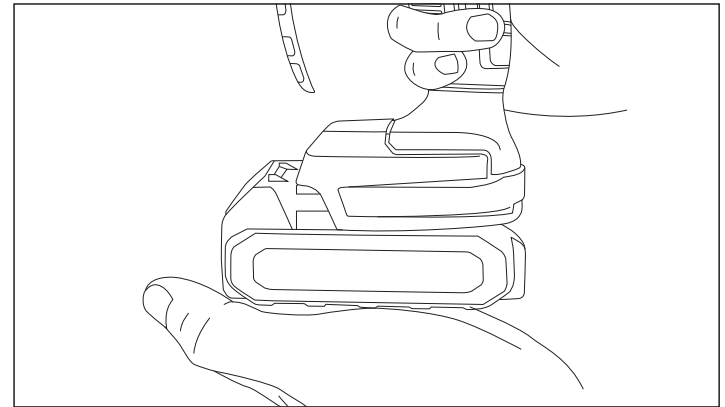
Step 6: Tighten the screw with wrench.



Step 5: Adjust the tightness of chain.



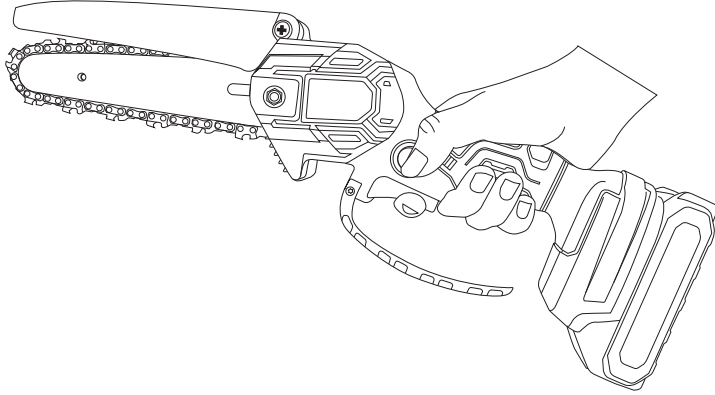
Step 7: Install battery pack.



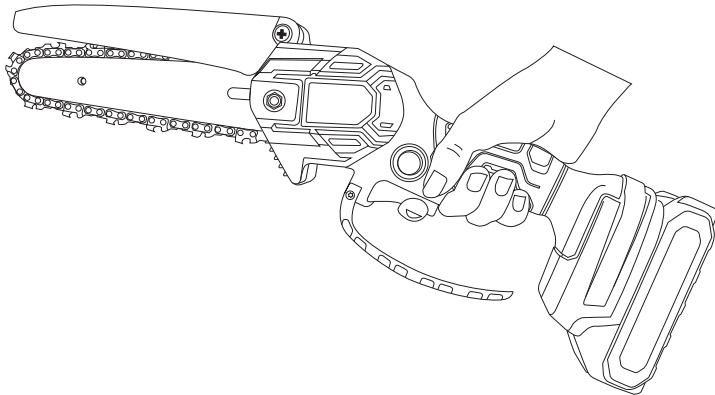
Operating Instructions

1.How to start the chainsaw?

You need to press the safety button and switch at the same time to start.

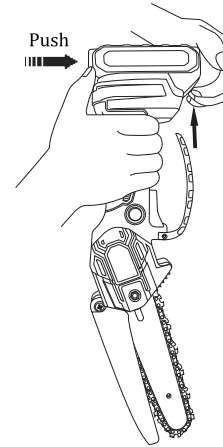


After start, just keep pressing the switch button, you don't need to keep pressing the safety lock.



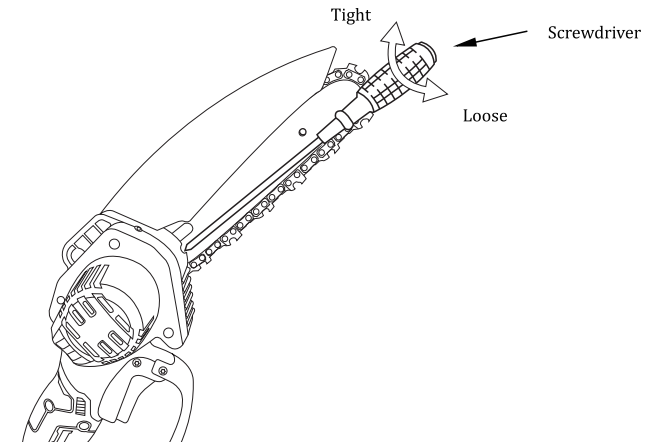
2.How to remove the battery correctly?

Press the battery's red button with one hand. Hold the handle with the other hand in the opposite direction and push the battery forward with your thumb at the same time as shown in the figure.



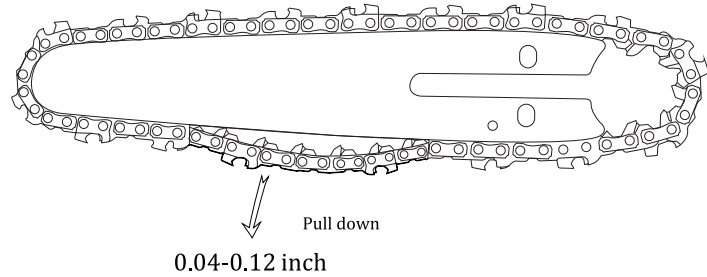
3.How to adjust the tightness of the chain?

There is a screw on the back of the guide/chain fixing plate to adjust the tightness of the chain. The chain can be tightened in a clockwise direction or loosened in a counter-clockwise direction with the equipped screwdriver as shown in the figure.



Note:

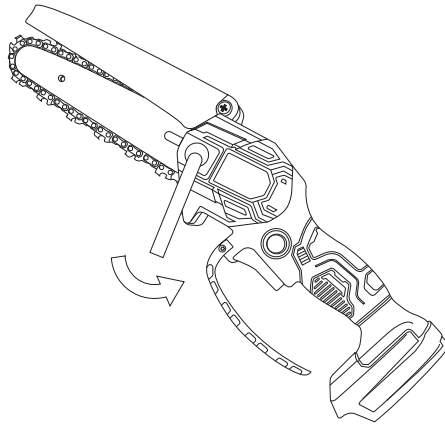
- ① It is normal that the chain is a little loose. If it is too tight will not work efficiently.
- ② Best adjustment standard: Pull the chain in the middle of the guide plate by hand to expose 0.04-0.12 inch as shown in the figure.



- ③ The device has an overload protection function. It will stop working if it is overloaded. At this point, please remove the battery and reinstall the battery to start again.

4.How to remove the side cover?

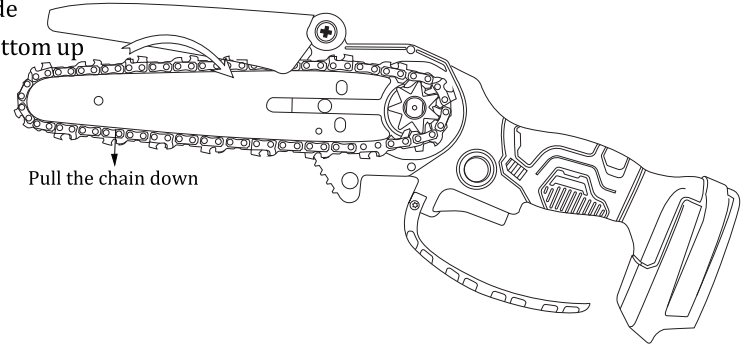
Unscrew the screw on the side cover counterclockwise and then remove it as shown in the figure.



5.How to remove the chain?

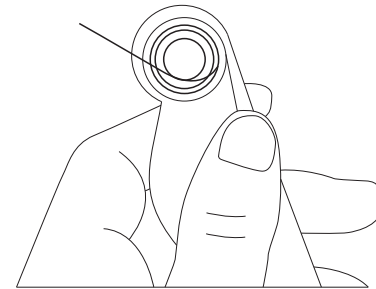
The chain can be directly removed by removing the guide plate after taking out the side cover.

Take out the guide plate from the bottom up

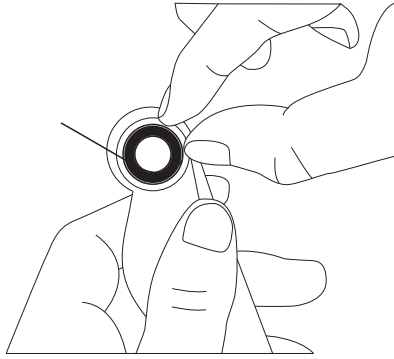


6.How to install the safety bezel?

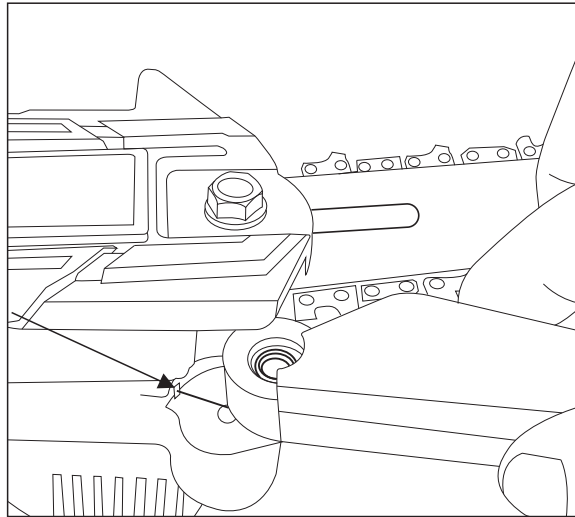
Step 1: Put the spring in the hole of safety bezel.



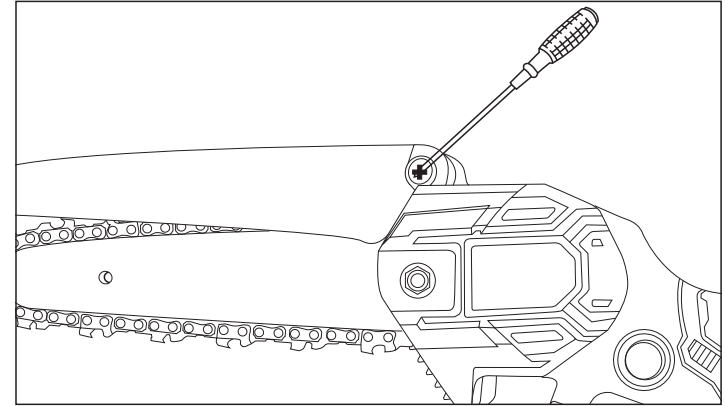
Step 2: Put the screw in the spring.



Step 3: Put the spring needle inside the hole of chainsaw.



Step 4: Install and tighten the screw.



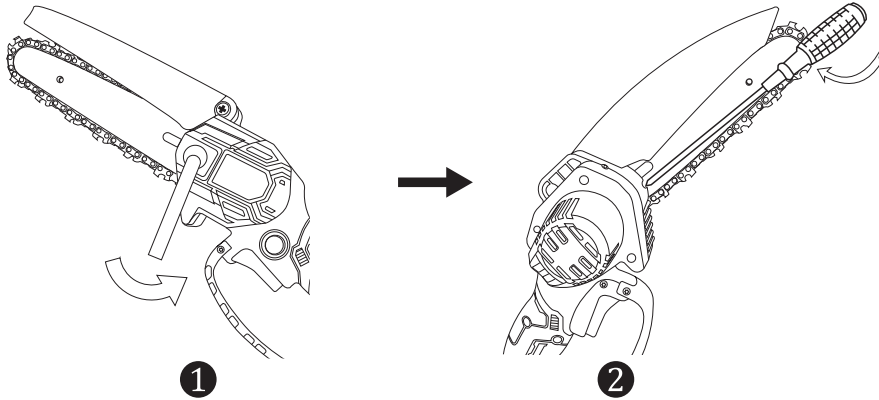
Battery

1. Please fully charge the battery before first use.
2. Please keep the battery surface dry before and while charging.
3. Please do not charge the battery for a long time. Generally, it will take 2-3 hours to be fully charged. Please remove the power cord once fully charged.
4. Be sure to charge the battery at least once every three months if it is not used for a long period of time.
5. Do not expose the battery to extreme conditions such as high temperature or shock. Otherwise, it could cause personal injury due to the leakage of the electrolytic solution.
6. Please charge the battery at the ambient temperature between 32°F to 113°F, and keep the ambient temperature between 14°F and 140°F when using.
7. Please remove the battery when not in use.

Saw chain

If the chain is too loose or jumping off track, please follow the steps below to do an adjustment:

1. Loosen the cover screws Please see the ❶ photo;
2. Tighten the screw and adjust the chain. Expose 0.04-0.12 inch when pulling down the chain, then tighten the cover screws. Please see the ❷ photo.



What kind of oil goes on the chainsaw?

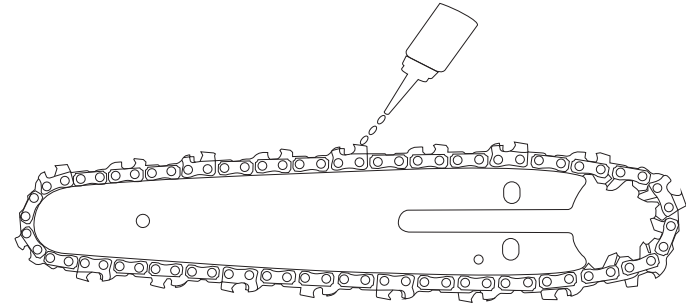
It is recommended to use the "Bar/ Chain oil " to go on the chain.

How to oil the Chain?

(Tips: Applying oil before using the mini chainsaw can make the friction reduced, so it's easier to cut. If you don't use it for a long time, you need to clean the chain at the end of use and then oil the chain for storage.)

1. Cleaning: Before adding lubricating oil, it is necessary to clean the dirt on the chain. Use the brush included to clean the surface and crevice of the chain.
2. Lubricate the chain: Before working, use an oil bottle to add lubricating oil to the chain, allow it to fully penetrate the interior for 2-5 minutes, turn the chain several times to allow the lubricating oil to be evenly distributed on the chain, then wipe off the excess oil with a dry cloth.
3. Maintenance: Oil the chain and guide plate after working. Lubricating oil will not only maintain the guide plate but also the chain.

(The bottle is empty, not include oil)



We highly appreciate of your purchase, please scan the code as below to discover more products you like, thank you.

