

Product Name:	Black Finish Wood and Natural Finish Bamboo 2-Door Storage Cabinet
SKU #:	WHIF1982



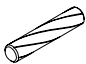
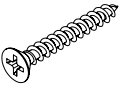



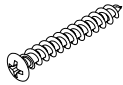







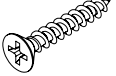
Thank you for purchasing this LuxenHöme product. This product has been manufactured with the highest standards of safety and quality.

PLEASE READ ALL INSTRUCTIONS BEFORE ASSEMBLY.

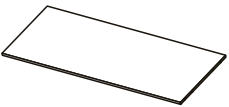
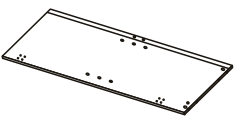
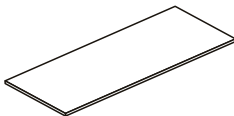
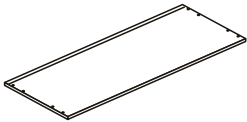

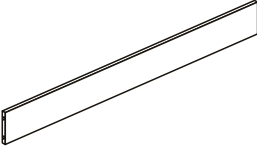
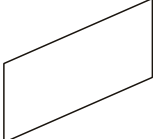
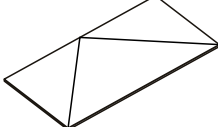
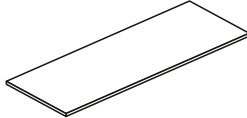
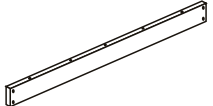
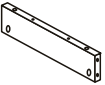
Unpack all parts from Styrofoam and bubble wrap inside the carton to ensure there are no missing or damaged parts. If any parts are missing or damaged, do not attempt to assemble or use the product.

CARTON CONTENTS:

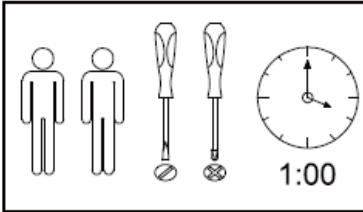
Hardware:

Ax14	Bx14	Cx24	Dx6	Ex2	Fx24	Gx4	Hx12
							
Ix2	Jx8	Kx8	Lx4	Mx4	Nx2	Ox2	Px4
							

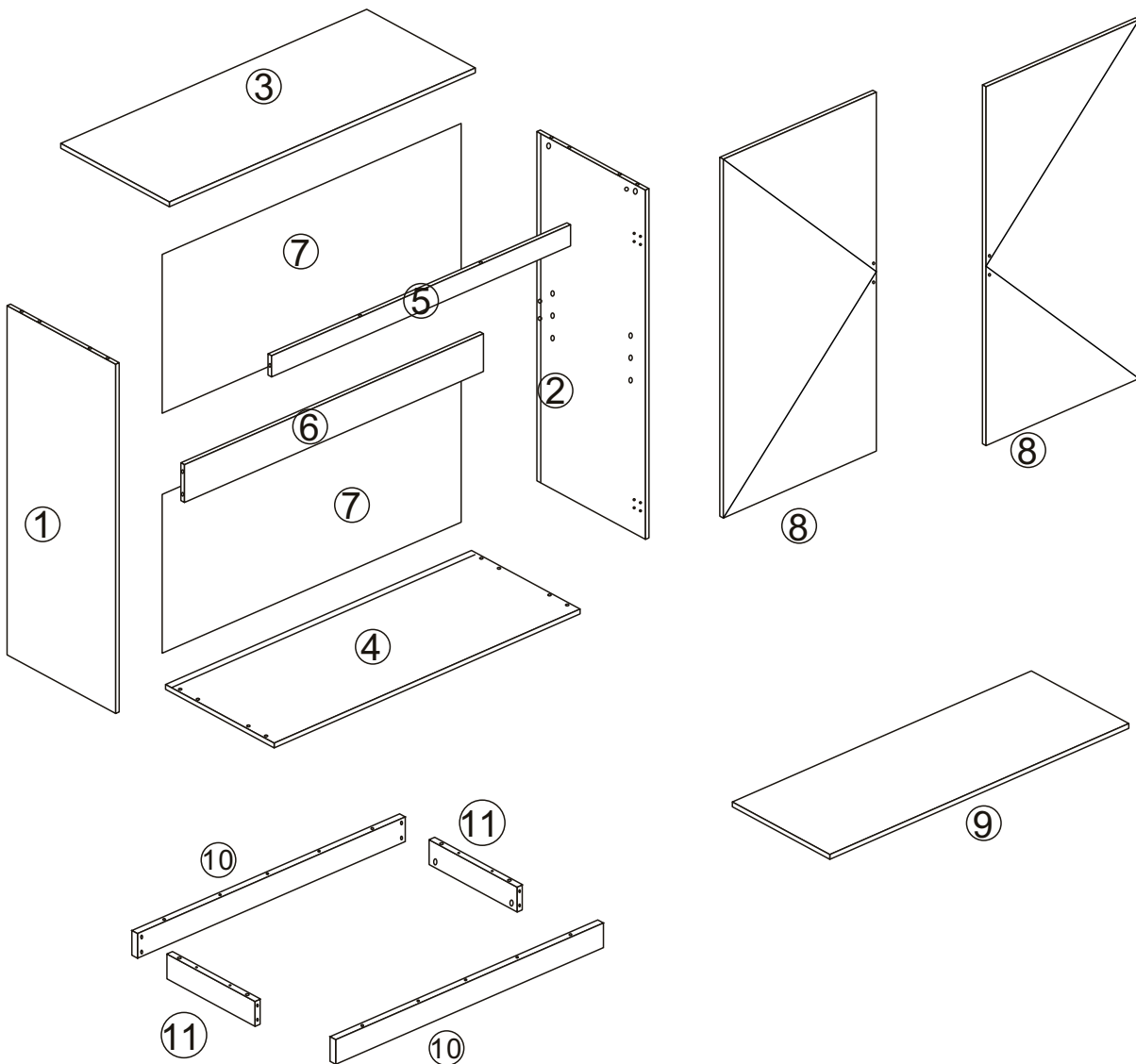
Panels:

① x1	② x1	③ x1	④ x1	⑤ x1
				
⑥ x1	⑦ x2	⑧ x2	⑨ x1	⑩ x2
				
⑪ x2				
				

Product Name:	Black Finish Wood and Natural Finish Bamboo 2-Door Storage Cabinet
SKU #:	WHIF1982

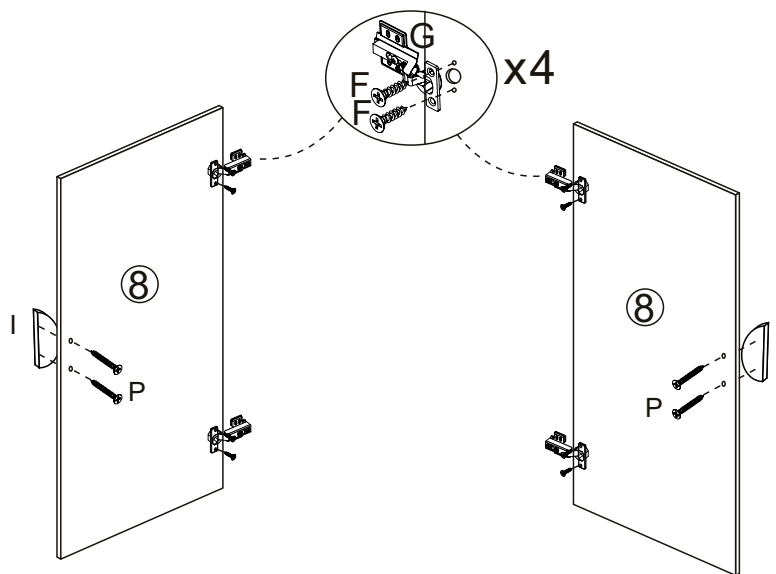





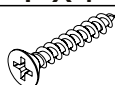
Tools required for assembly: Philips screwdriver and flathead screwdriver (if using power tools, use with care).



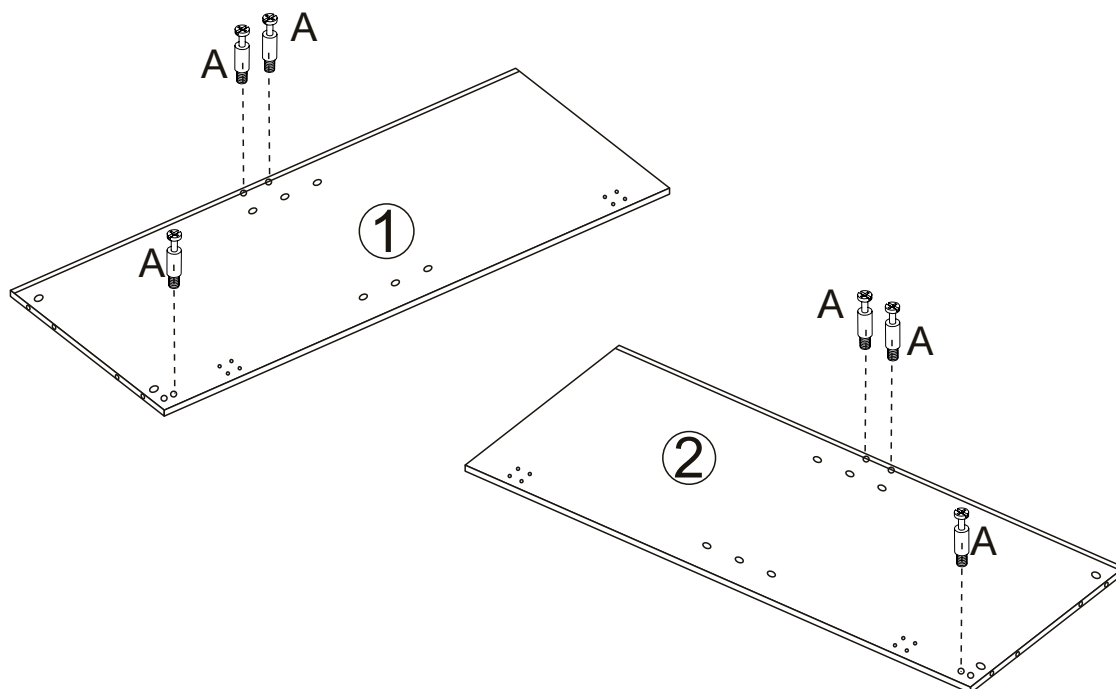
Product Name:	Black Finish Wood and Natural Finish Bamboo 2-Door Storage Cabinet
SKU #:	WHIF1982

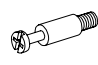
Step 1 – Fix hinges (G) to doors 8 using screws (F), as shown.
Fix handles (I) to doors 8 using screws (P), as shown.



Fx8

Gx4

Ix2

Px4


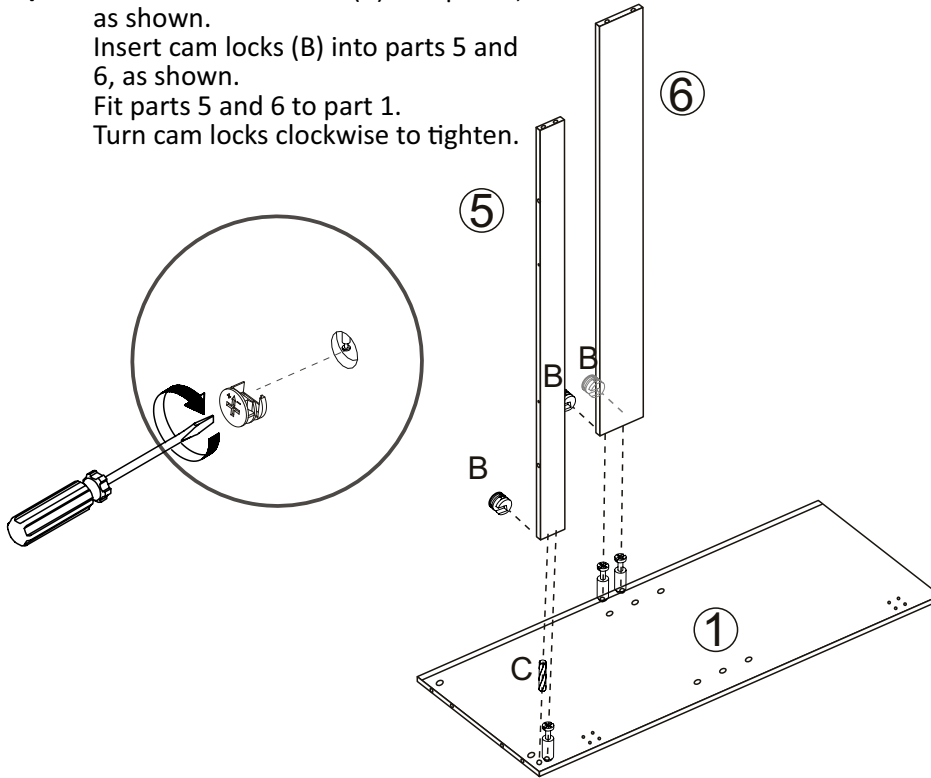
Step 2 – Insert quickfit screws (A) into parts 1 and 2, as shown.



Ax6


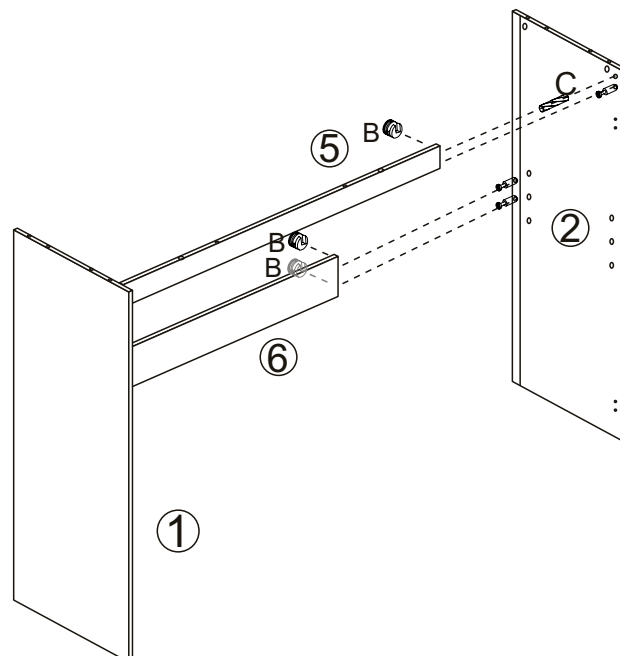
Product Name:	Black Finish Wood and Natural Finish Bamboo 2-Door Storage Cabinet
SKU #:	WHIF1982

Step 3: Insert wooden dowel (C) into part 1, as shown.
 Insert cam locks (B) into parts 5 and 6, as shown.
 Fit parts 5 and 6 to part 1.
 Turn cam locks clockwise to tighten.



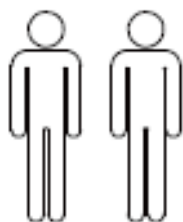
Bx3
Cx1

Step 4: Insert wooden dowel (C) into part 2, as shown.
 Insert cam locks (B) into parts 5 and 6, as shown.
 Fit part 2 to parts 5 and 6.
 Turn cam locks clockwise to tighten.



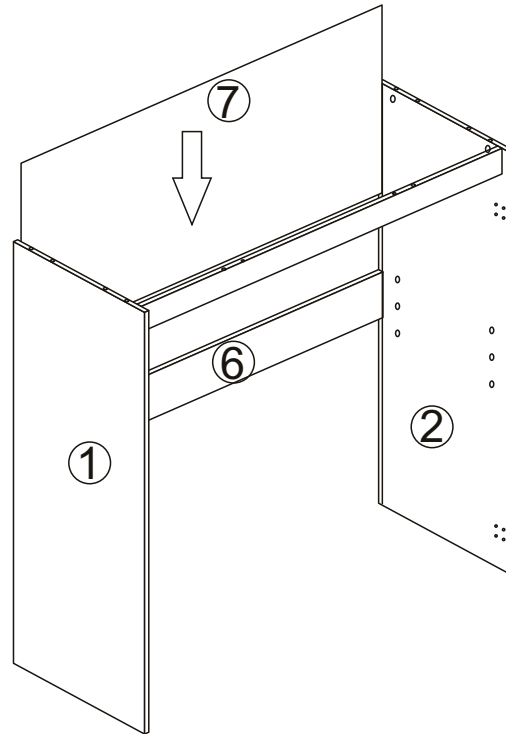
Bx3
Cx1

NOTE: THIS STEP TO BE ACCOMPLISHED BY TWO PERSONS

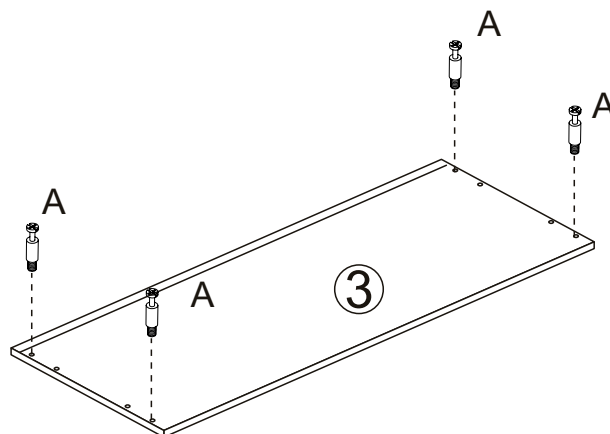
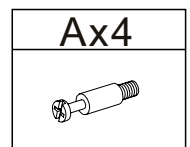


Product Name:	Black Finish Wood and Natural Finish Bamboo 2-Door Storage Cabinet
SKU #:	WHIF1982

Step 5: Slide part 7 into grooves between parts 1, 6 and 2, as shown.



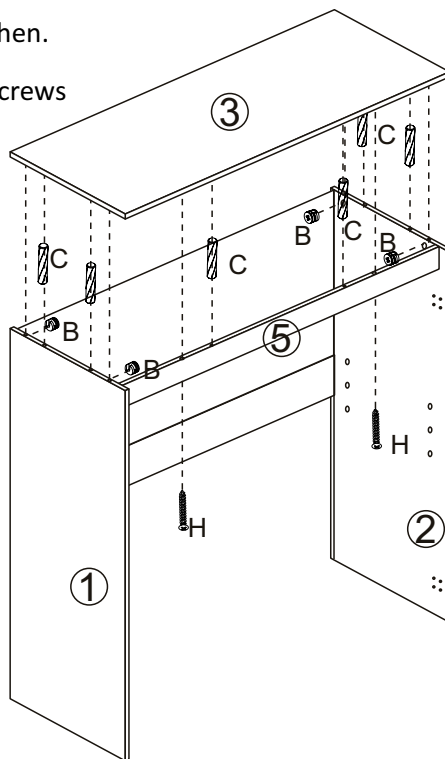
Step 6: Insert quickfit screws (A) into part 3, as shown.



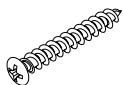


Product Name:	Black Finish Wood and Natural Finish Bamboo 2-Door Storage Cabinet
SKU #:	WHIF1982

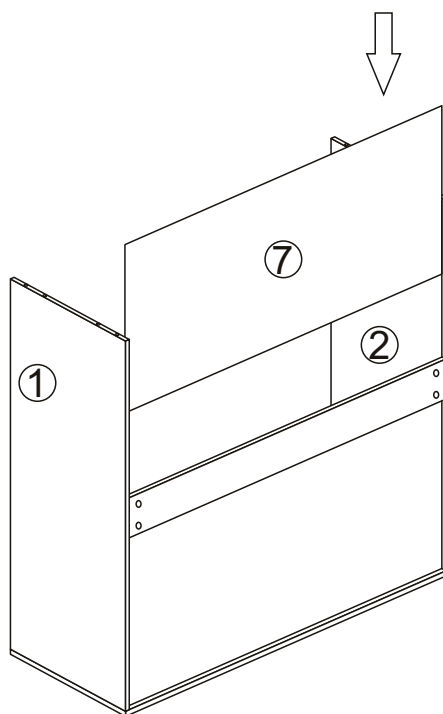
Step 7: Insert cam locks (B) and wooden dowels (C) into parts 1, 2 and 5, as shown.
Fit part 3 to parts 1 and 2.
Turn cam lock clockwise to tighten.

Secure part 3 to part 5 using screws (H), as shown.



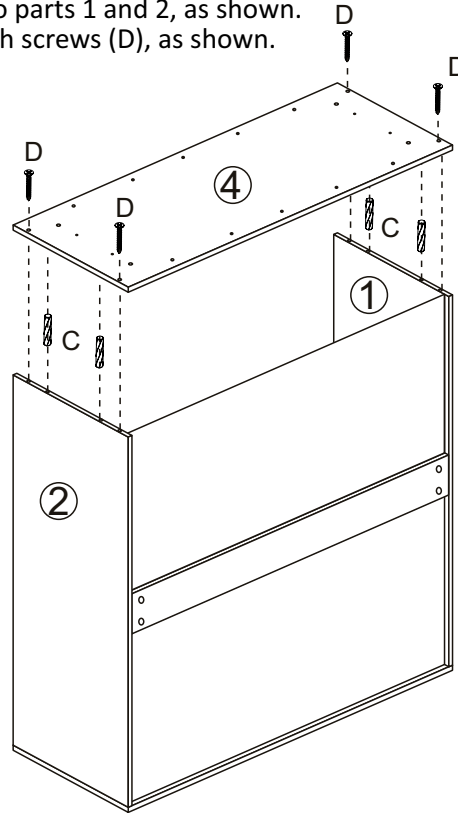
Bx4

Cx6

Hx2


Step 8: Slide part 7 into grooves between parts 1 and 2, as shown.



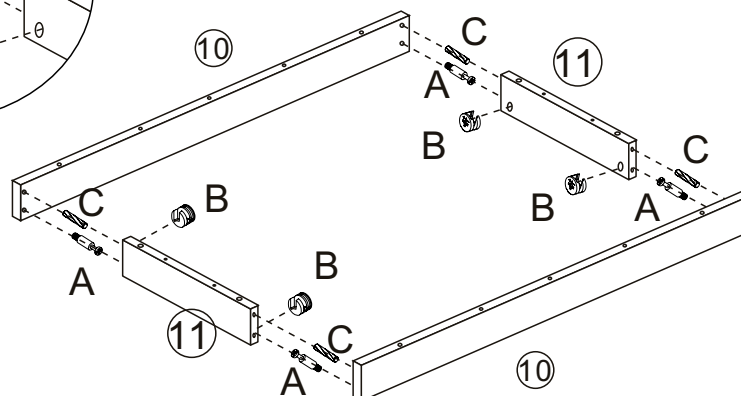
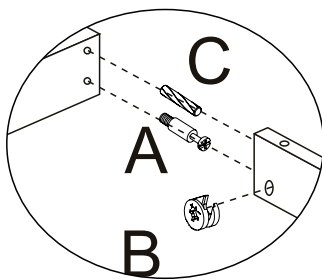
Product Name:	Black Finish Wood and Natural Finish Bamboo 2-Door Storage Cabinet
SKU #:	WHIF1982

Step 9: Insert wooden dowels (C) into parts 1 and 2, as shown.
Fix part 4 to parts 1 and 2 with screws (D), as shown.



Dx4
Cx4

Step 10: Insert quickfit screws (A) and wooden dowels (C) into parts 10, as shown.
Insert cam locks (B) into parts 11, as shown.
Fit parts 10 to parts 11.
Turn cam locks clockwise to tighten.

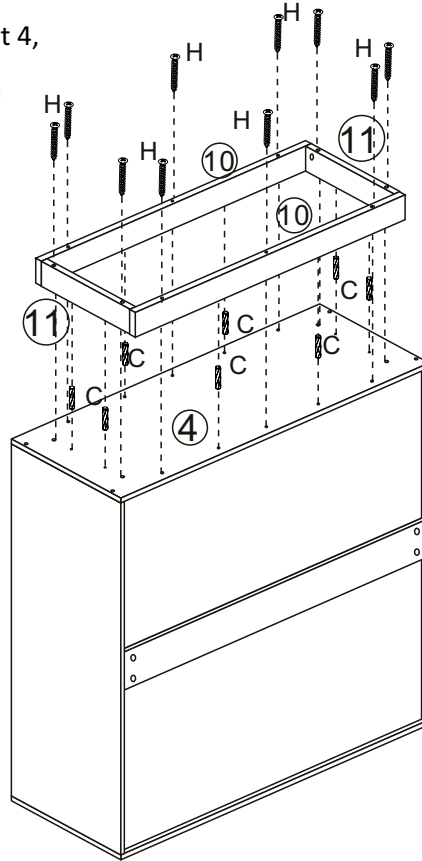


Ax4
Bx4
Cx4

Product Name:	Black Finish Wood and Natural Finish Bamboo 2-Door Storage Cabinet
SKU #:	WHIF1982

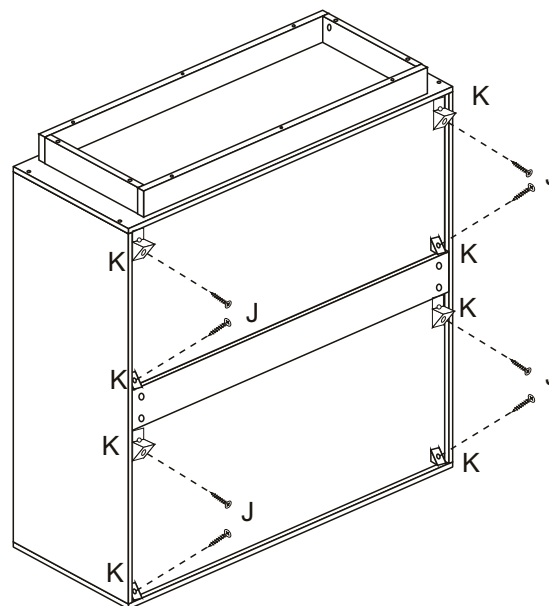
Step 11:

Insert wooden dowels (C) into part 4, as shown.
Fix parts 10 and 11 to part 4 using screws (H), as shown.



Cx8
Hx10

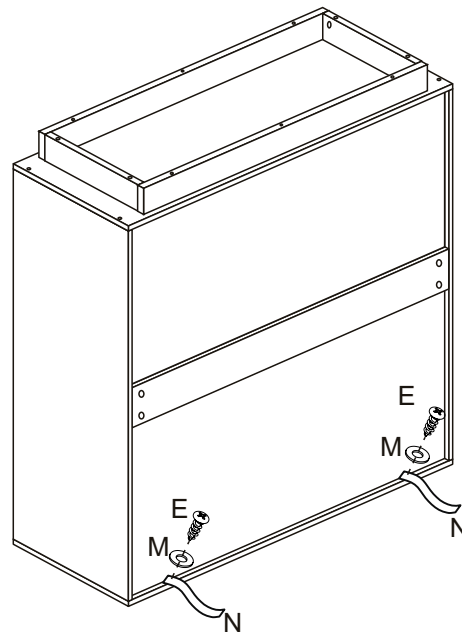
Step 12: Secure backing panels 7 by fixing wedges (K) using screws (J), as shown






Kx8
Jx8

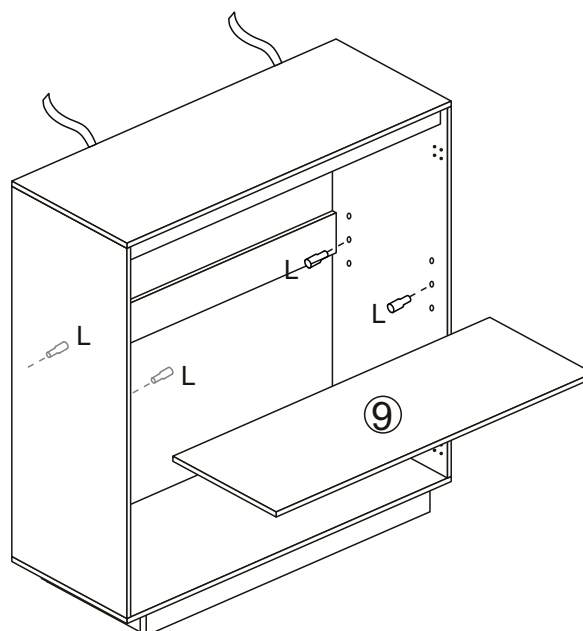
Product Name:	Black Finish Wood and Natural Finish Bamboo 2-Door Storage Cabinet
SKU #:	WHIF1982


Step 13: Fix wall straps (N) to part 3 using washers (M) and screws (E), as shown.



E x2

M x2

N x2


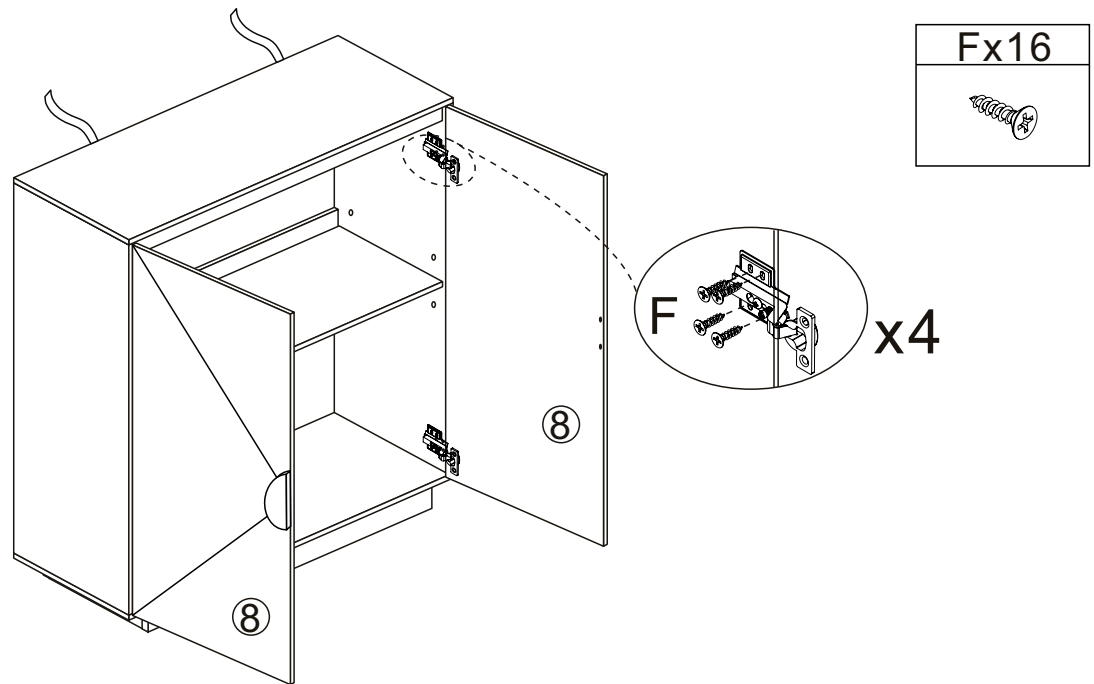
Step 14: Fit shelf supports (L) into desired position in the assembled unit. Place shelf 9 on top of shelf supports, as shown.



L x4


Product Name:	Black Finish Wood and Natural Finish Bamboo 2-Door Storage Cabinet
SKU #:	WHIF1982

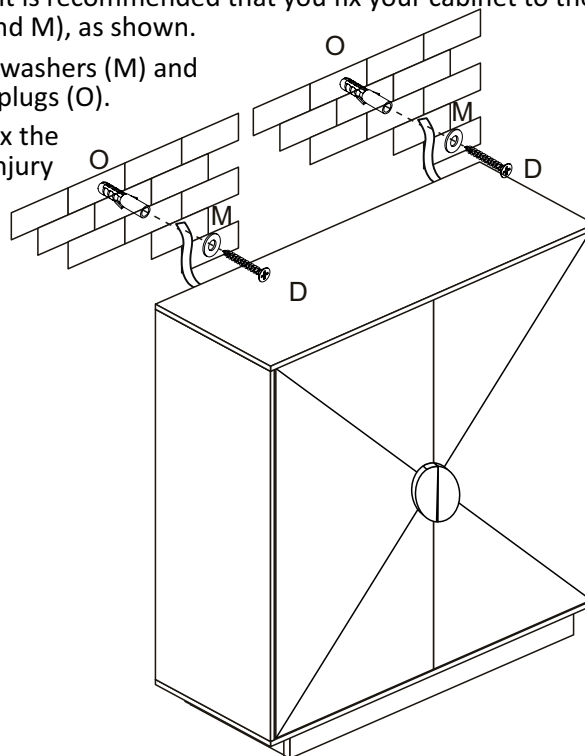
Step 15: Fix doors 8 to assembled unit with hinges and screws (F), as shown.



Step 16: For extra stability, it is recommended that you fix your cabinet to the wall using hardware (D, O and M), as shown.

Screws (D) are fixed through washers (M) and wall straps and into the wall plugs (O).

Should you choose not to affix the product to the wall, serious injury may be caused if the product tips over.



Dx2
Ox2
Mx2

Warning: DO NOT sit or stand on the Cabinet as this may damage the product and cause serious bodily injury.