

Product Name:	Black Finish Wood and Natural Finish Bamboo 2-Drawer Side Table
SKU #:	WHIF1981

Thank you for purchasing this LuxenHöme product. This product has been manufactured with the highest standards of safety and quality.

PLEASE READ ALL INSTRUCTIONS BEFORE ASSEMBLY.

Unpack all parts from Styrofoam and bubble wrap inside the carton to ensure there are no missing or damaged parts. If any parts are missing or damaged, do not attempt to assemble or use the product.

CARTON CONTENTS:

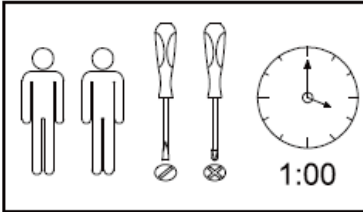
Hardware:

Ax16	Bx16	Cx20	Dx5	Ex4	Fx4	Gx24	Hx12
Ix4	Jx4	Kx2	Lx1	Mx8	Nx1	Ox2	Px1

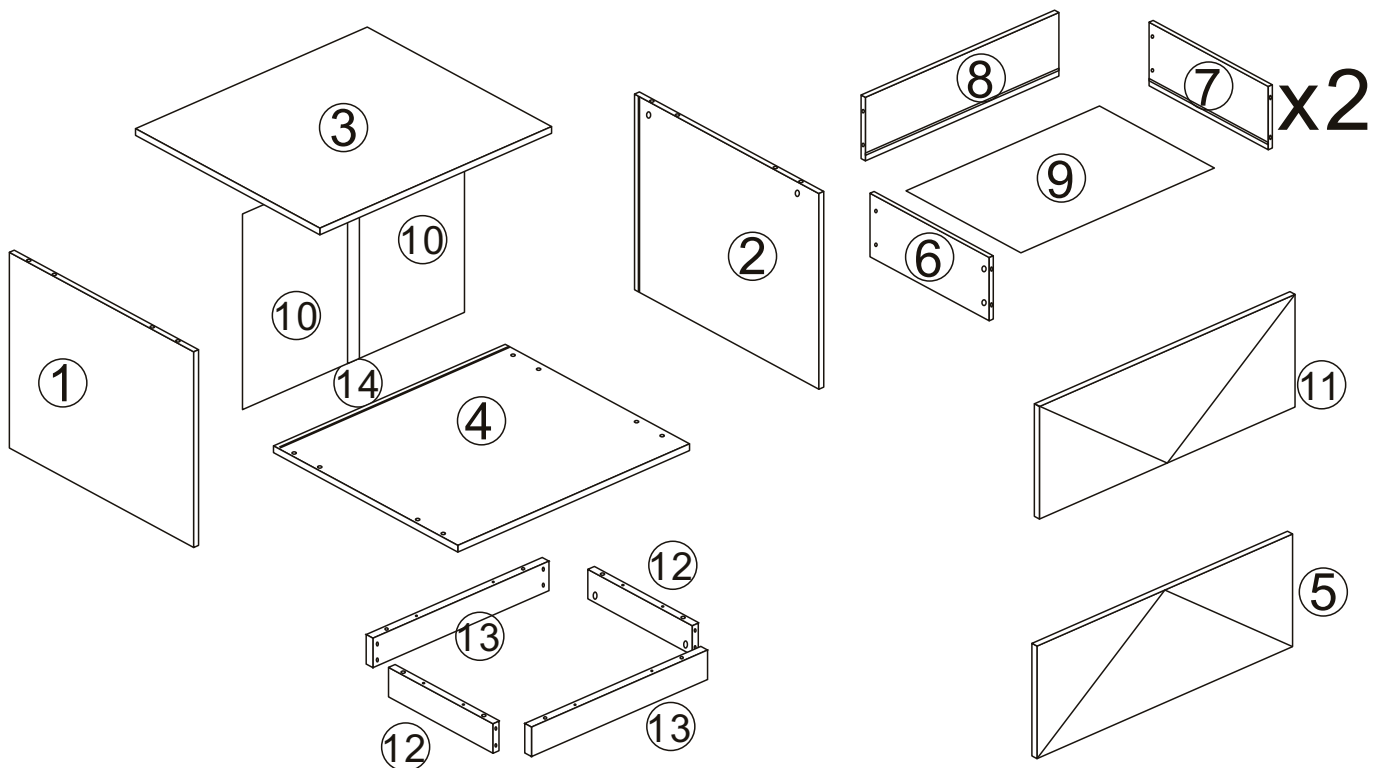
Panels:

① x1	② x1	③ x1	④ x1	⑤ x1
⑥ x2	⑦ x2	⑧ x2	⑨ x2	⑩ x2
⑪ x1	⑫ x2	⑬ x2	⑭ x1	

Product Name:	Black Finish Wood and Natural Finish Bamboo 2-Drawer Side Table
SKU #:	WHIF1981

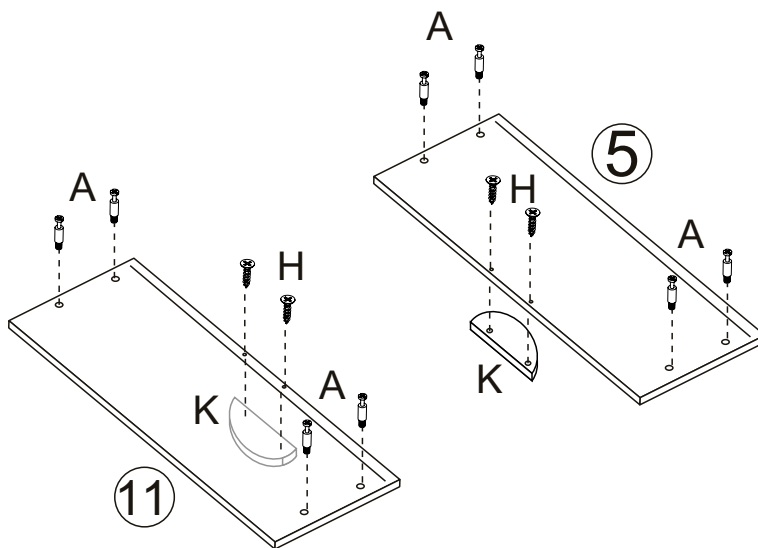


Tools required for assembly: Philips screwdriver and flathead screwdriver (if using power tools, use with care).



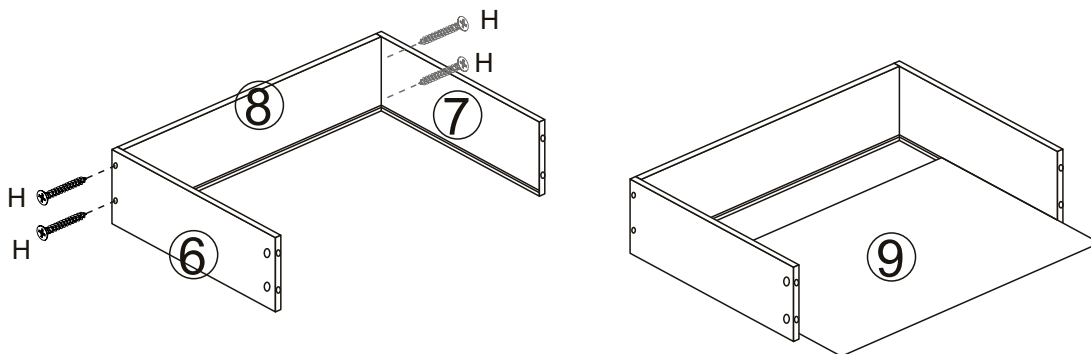
Product Name:	Black Finish Wood and Natural Finish Bamboo 2-Drawer Side Table
SKU #:	WHIF1981

Step 1 – Insert quickfit screws (A) into parts 5 and 11, as shown.
Fix handles (K) to parts 5 and 11 using screws (H), as shown.



Ax8
Kx2
Hx4

Step 2 – Fix parts 6 and 7 to part 8 using screws (H), as shown.
Slide part 9 into grooves between parts 6, 8 and 7, as shown.



Hx8

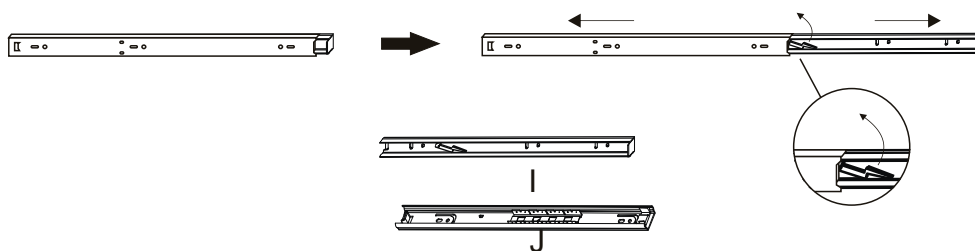
x2

Product Name:	Black Finish Wood and Natural Finish Bamboo 2-Drawer Side Table
SKU #:	WHIF1981

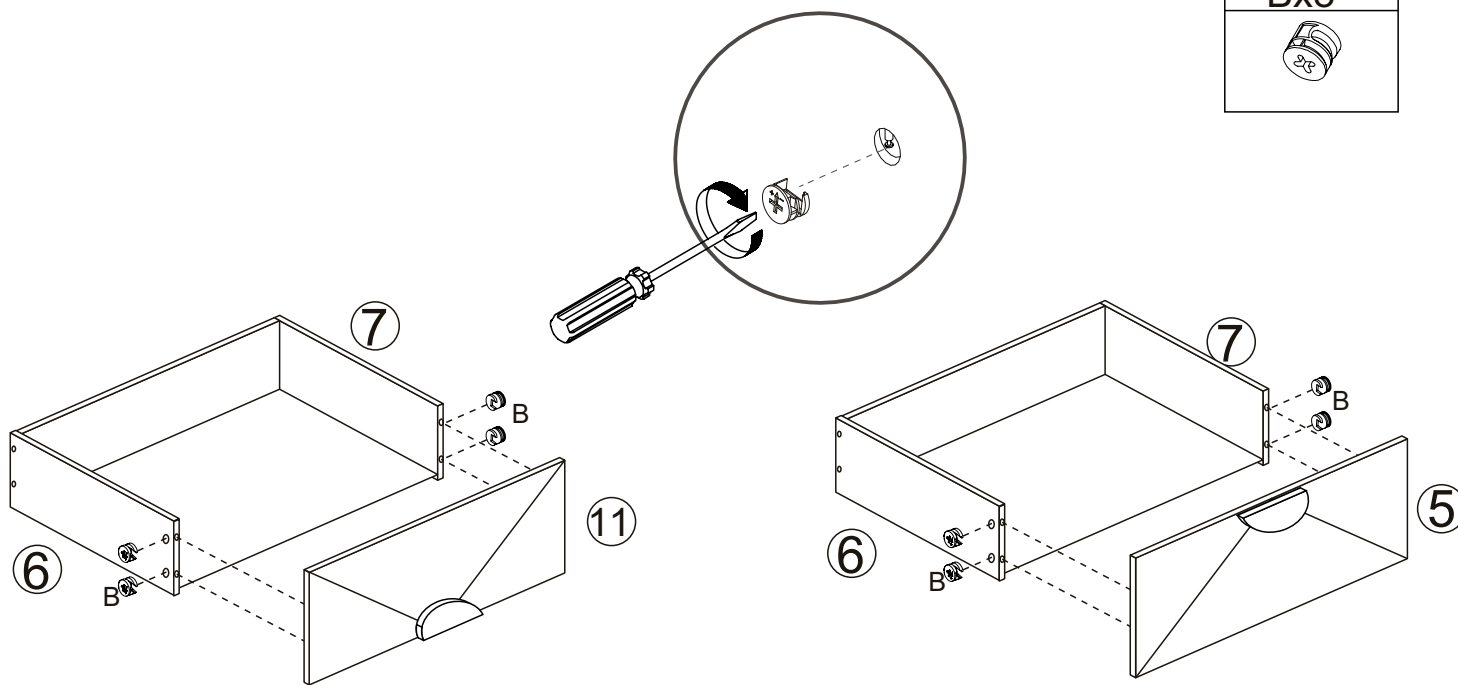
Step 3: Pull inner and outer drawer runners apart before fixing them to panels. Slide drawer runners apart until the drawer lock can be seen, as shown.

Press and hold the drawer runner lock upwards and then continue to slide drawer runners apart, as shown.

Your inner and outer drawer runners are ready to be fixed to panels.



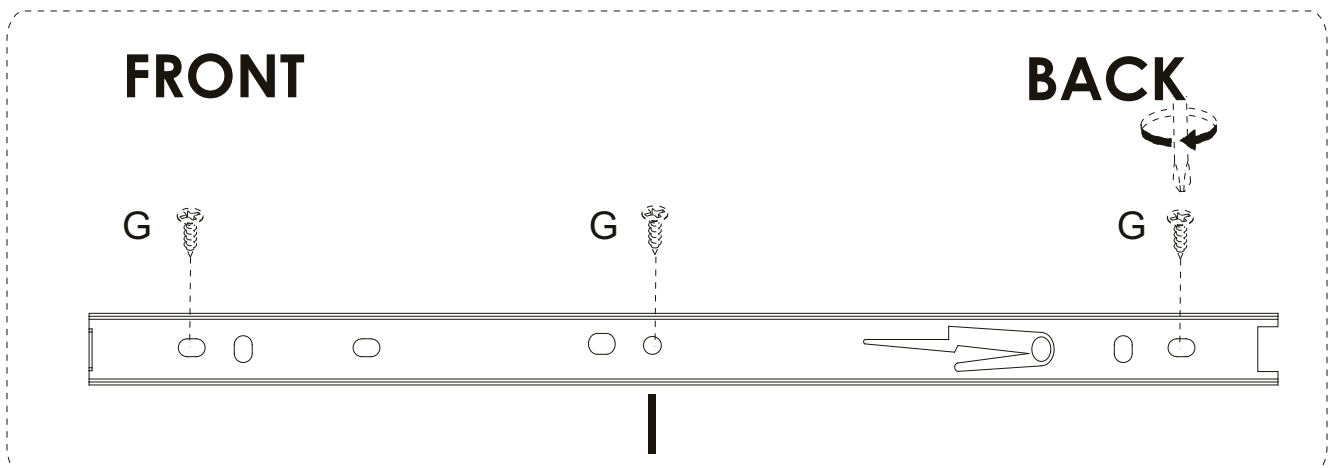
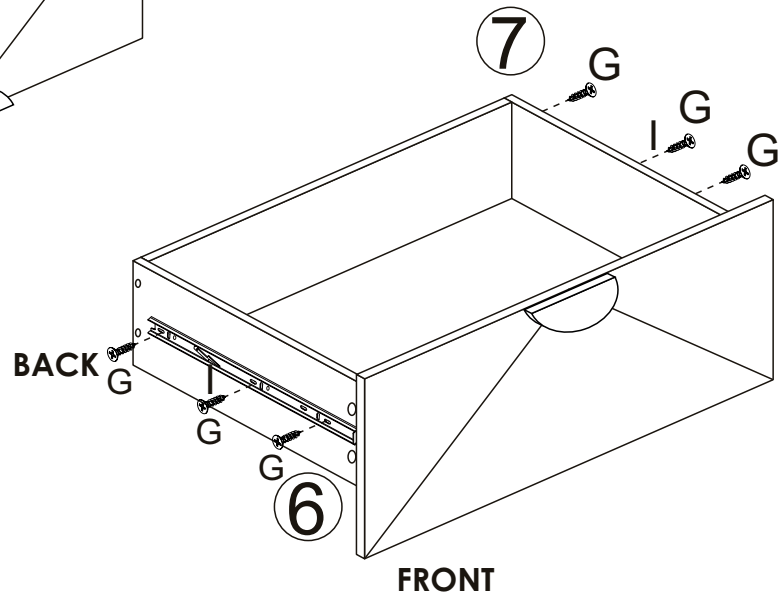
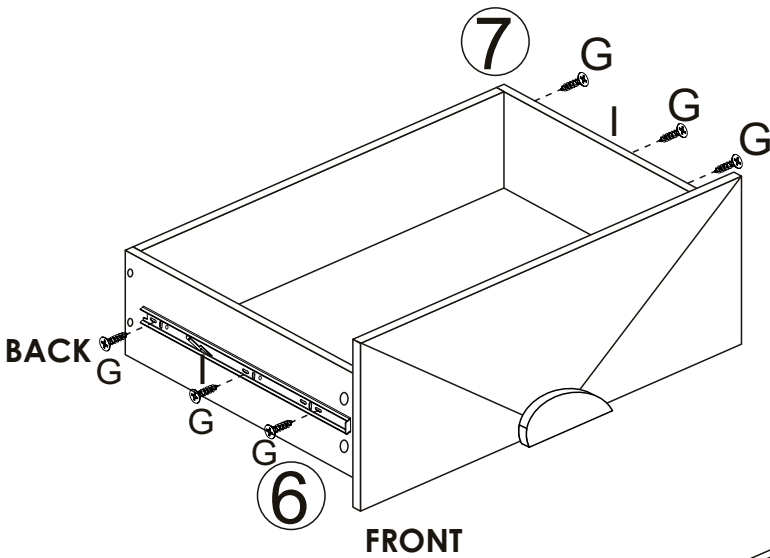
Step 4: Insert cam locks (B) into parts 6 and 7, as shown. Fit parts 11 and 5 to parts 6 and 7, as shown. Turn cam locks clockwise to tighten.



Product Name:	Black Finish Wood and Natural Finish Bamboo 2-Drawer Side Table
SKU #:	WHIF1981

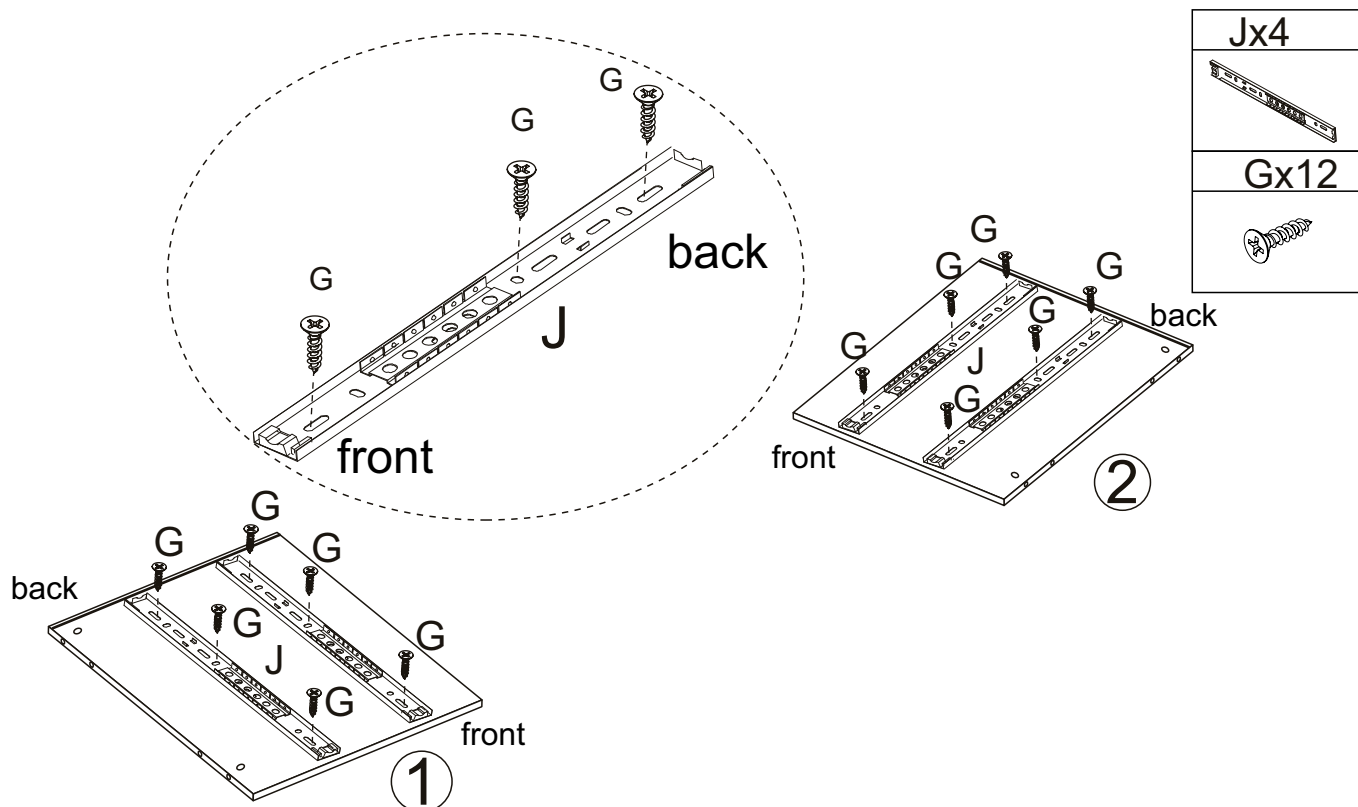
Step 5: Fix inner drawer runners (I) to parts 6 and 7 using screws (G), as shown.

Ix4	Gx12

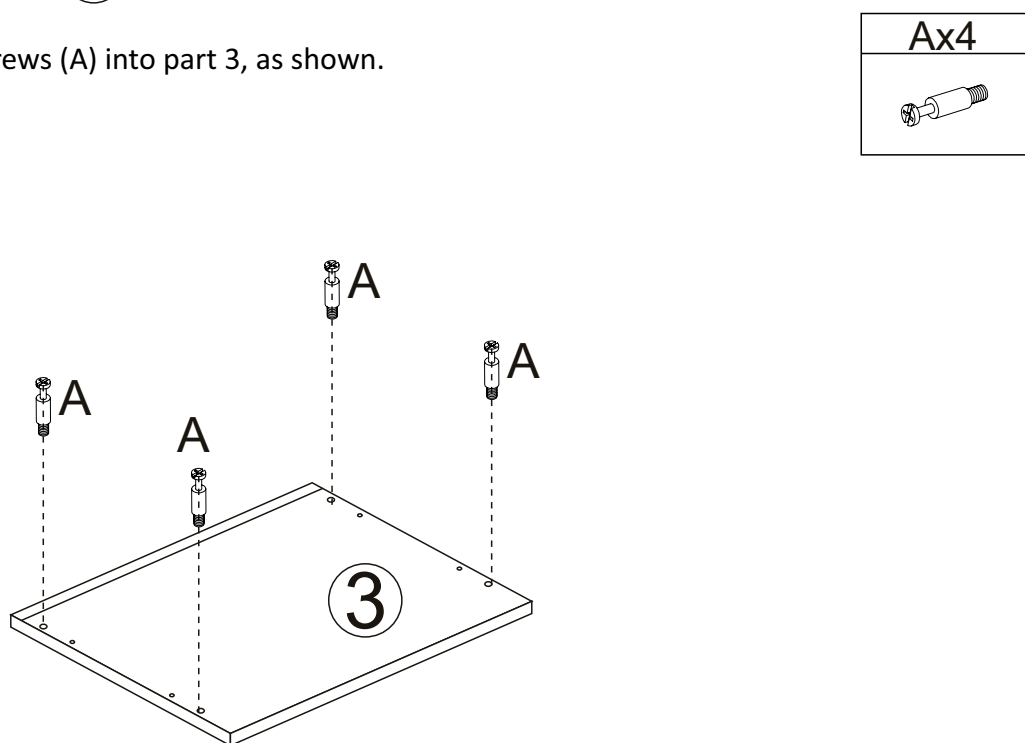


Product Name:	Black Finish Wood and Natural Finish Bamboo 2-Drawer Side Table
SKU #:	WHIF1981

Step 6: Fix outer drawer runners (J) to parts 1 and 2 using screws (G), as shown.


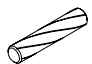


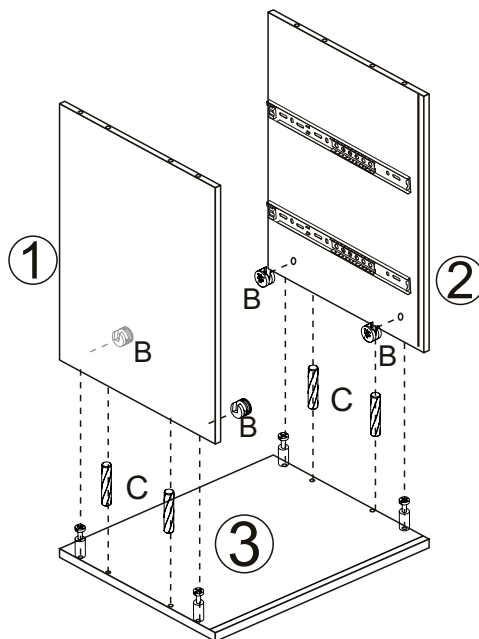
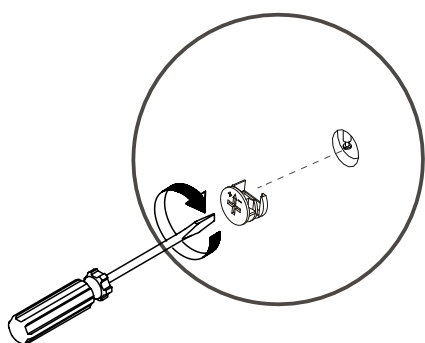
Step 7: Insert quickfit screws (A) into part 3, as shown.



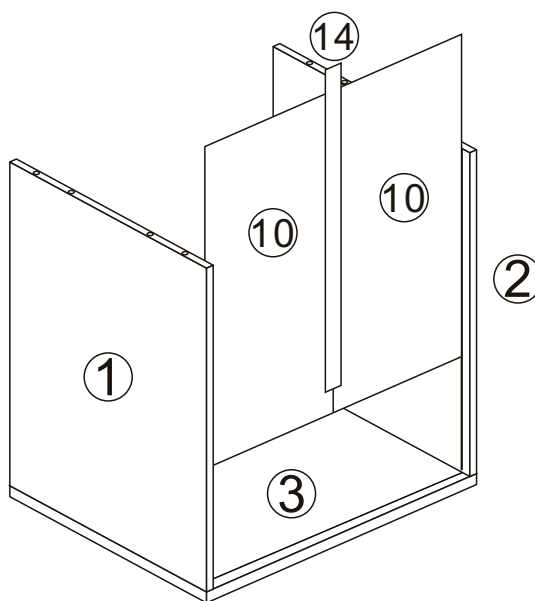
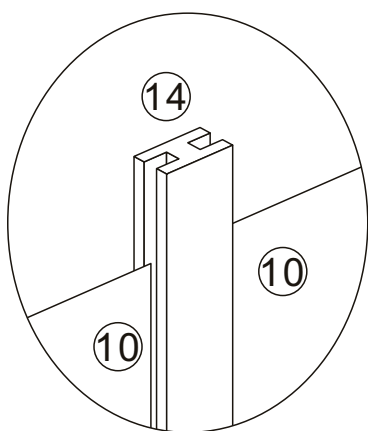
Product Name:	Black Finish Wood and Natural Finish Bamboo 2-Drawer Side Table
SKU #:	WHIF1981

Step 8: Insert cam locks (B) and wooden dowels (C) into parts 1 and 2, as shown.
Fit part 3 to parts 1 and 2.
Turn cam locks clockwise to tighten.

Bx4

Cx4


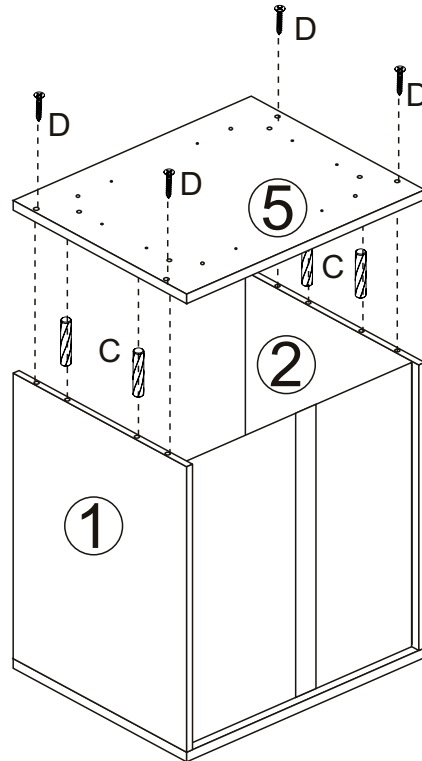


Step 9: Insert parts 10 into grooves of part 14, as shown.
Insert parts 10 into grooves between parts 1, 3 and 2, as shown.



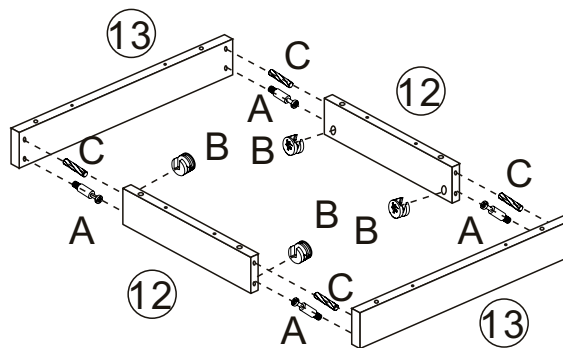
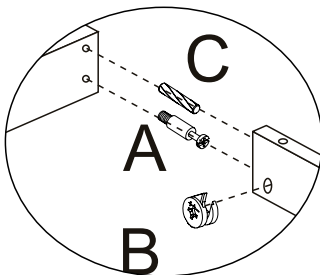
Product Name:	Black Finish Wood and Natural Finish Bamboo 2-Drawer Side Table
SKU #:	WHIF1981

Step 10: Insert wooden dowels (C) into parts 1 and 2, as shown.
Fix part 5 to parts 1 and 2 with screws (D), as shown.



Dx4
Cx4

Step 11: Insert quickfit screws (A) and wooden dowels (C) into parts 13, as shown.
Insert cam locks (B) into parts 12, as shown.
Fit parts 12 to parts 13.
Turn cam locks clockwise to tighten.

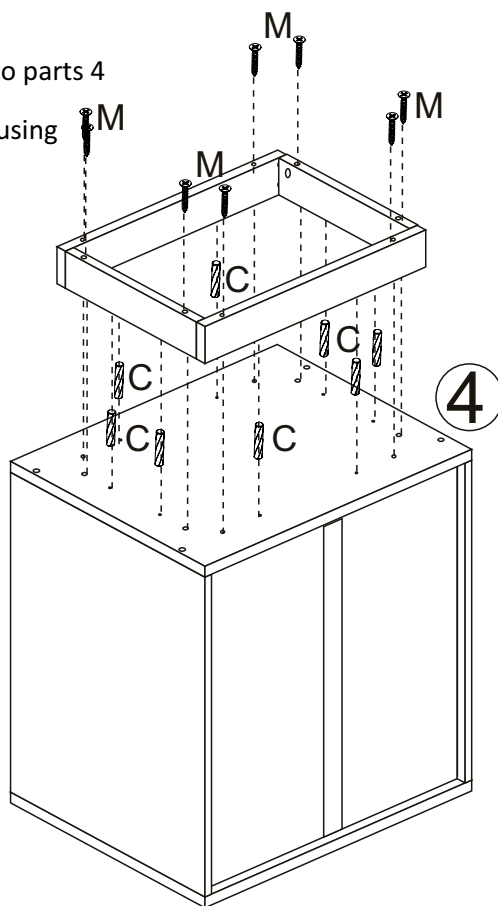


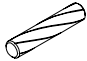
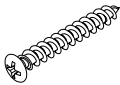
Ax4
Bx4
Cx4

Product Name:	Black Finish Wood and Natural Finish Bamboo 2-Drawer Side Table
SKU #:	WHIF1981

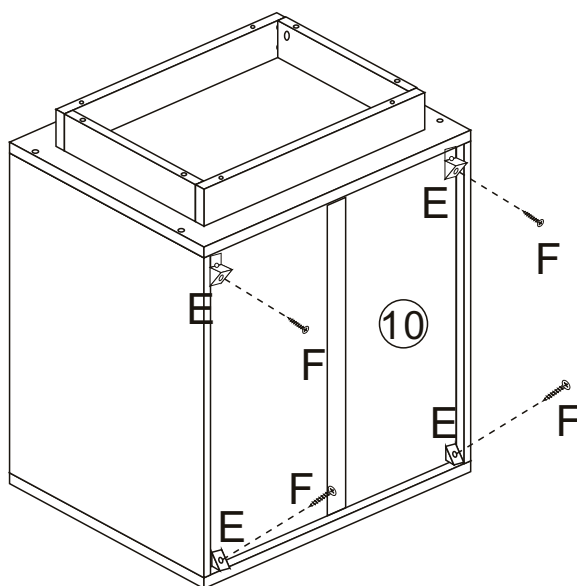
Step 12:



Insert wooden dowels (C) into parts 4 , as shown.
Fix assembled legs to part 4 using screws (M), as shown.



Cx8

Mx8


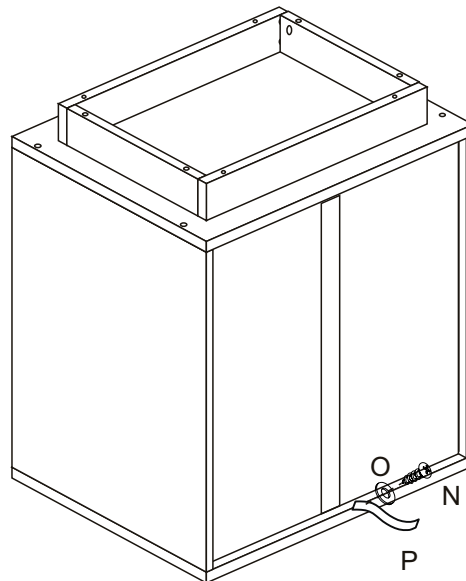
Step 13: Secure backing panel 10 by fixing wedges (E) using screws (F), as shown.



Ex4

Fx4


Product Name:	Black Finish Wood and Natural Finish Bamboo 2-Drawer Side Table
SKU #:	WHIF1981

Step 14: Fix wall strap (P) to part 3 using washer (O) and screw (N), as shown



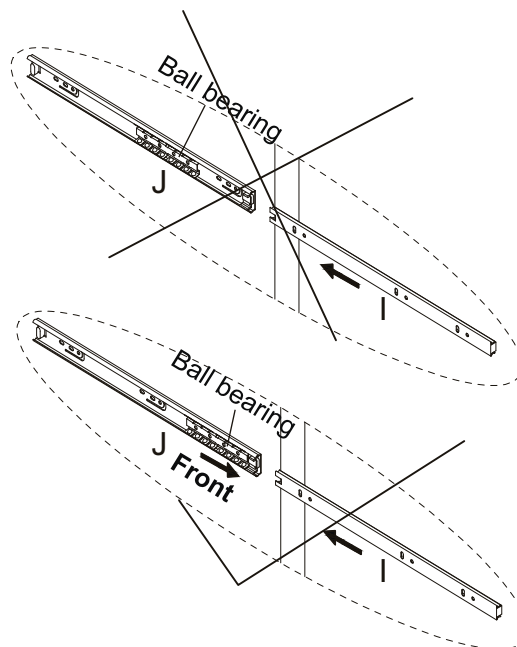
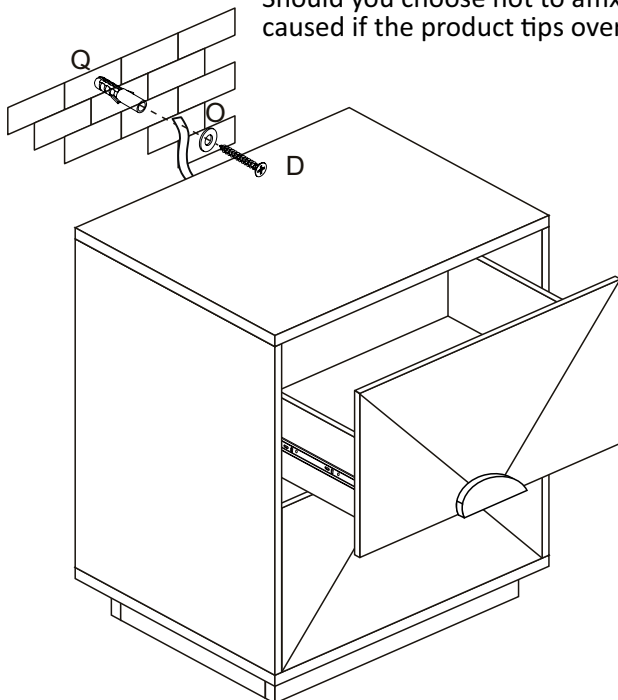
Nx1
Ox1
Px1

Step 15:

For extra stability, it is recommended that you fix your side table to the wall using hardware (D, L and O), as shown.

Screw (D) is fixed through washer (O) and wall strap and into the wall plug (L).

Should you choose not to affix the product to the wall, serious injury may be caused if the product tips over.



Dx1
Lx1
Ox1



Warning: DO NOT sit or stand on the Side table as this may damage the product and cause serious bodily injury.