

Product Name:	Natural Finish Wood 2-Door 35.43 In. Wide Storage Cabinet
SKU #:	WHIF1980



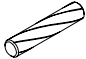
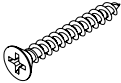




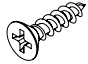



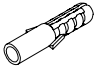

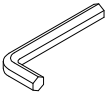
Thank you for purchasing this LuxenHöme product. This product has been manufactured with the highest standards of safety and quality.

PLEASE READ ALL INSTRUCTIONS BEFORE ASSEMBLY.

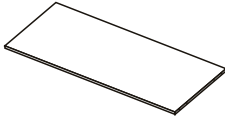
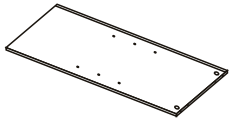
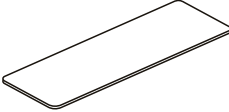
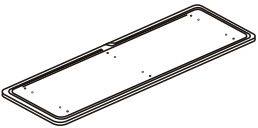
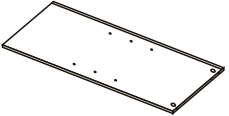
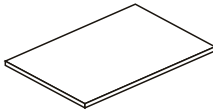

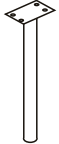
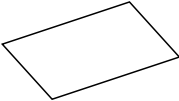
Unpack all parts from Styrofoam and bubble wrap inside the carton to ensure there are no missing or damaged parts. If any parts are missing or damaged, do not attempt to assemble or use the product.

CARTON CONTENTS:

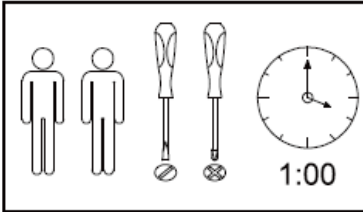
Hardware:

Ax6	Bx6	Cx12	Dx8	Ex16	Fx4	Gx2	Hx8
							
Ix8	Jx2	Kx2	Lx8	Mx2	Nx8	Ox1	
							

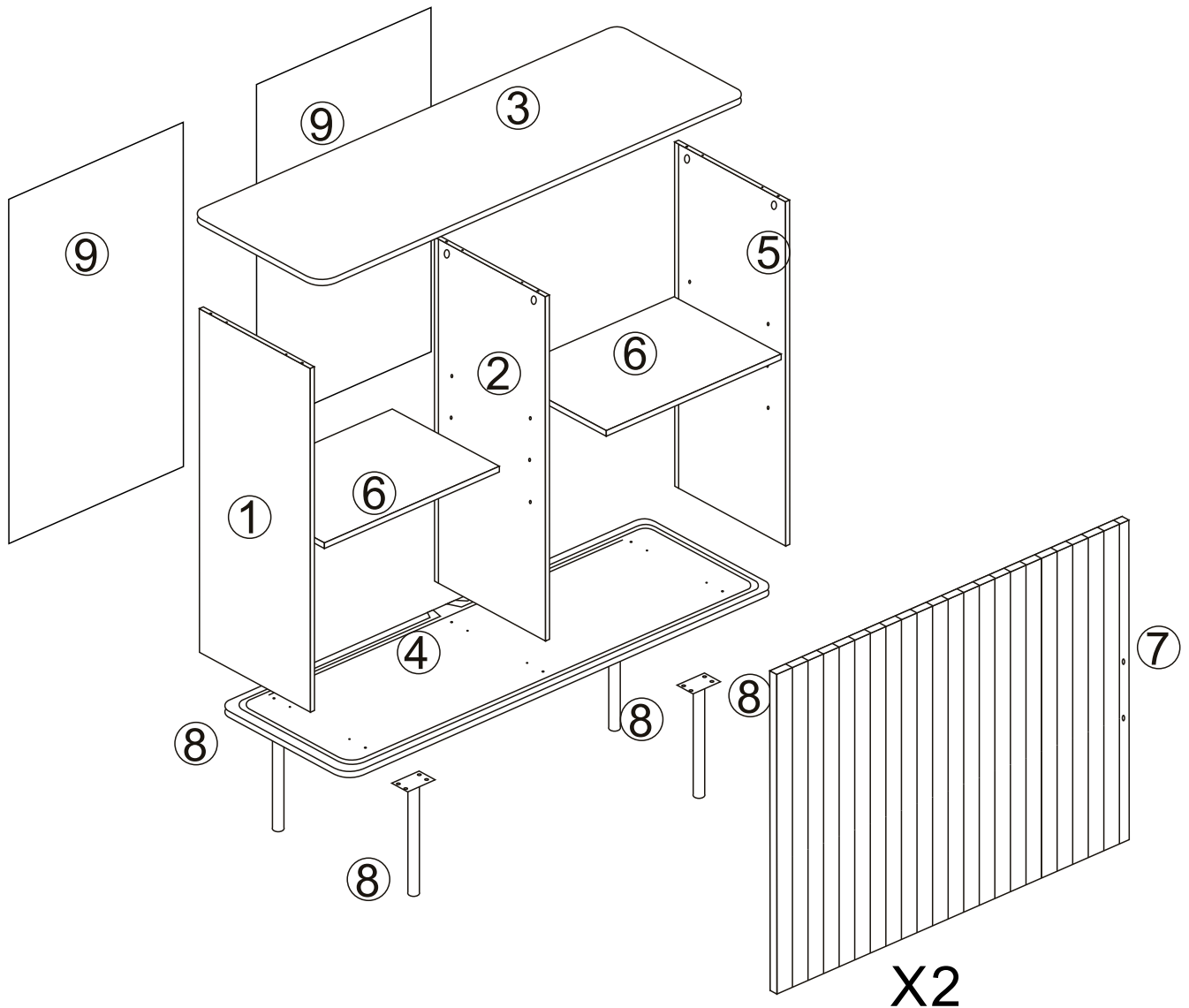
Panels:

① x1	② x1	③ x1	④ x1	⑤ x1
				
⑥ x2	⑦ x2	⑧ x4	⑨ x2	
				

Product Name:	Natural Finish Wood 2-Door 35.43 In. Wide Storage Cabinet
SKU #:	WHIF1980

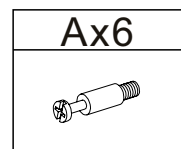
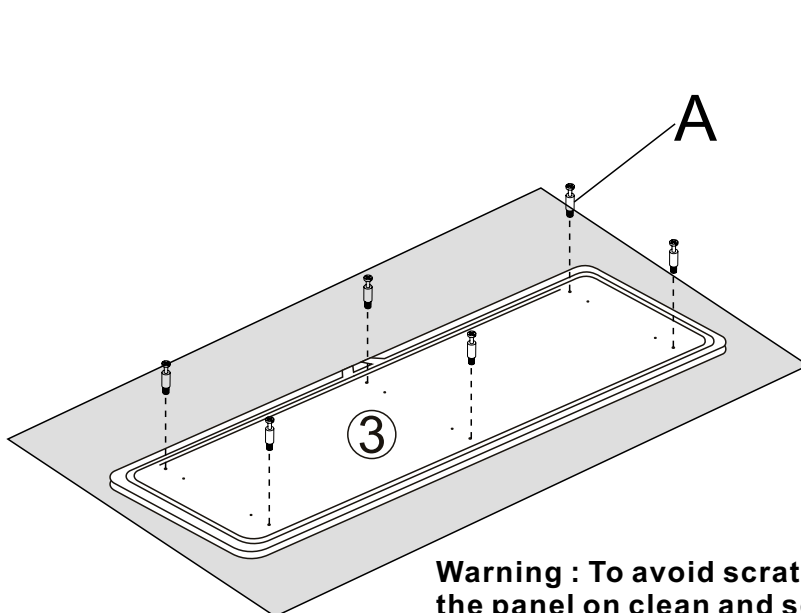


Tools required for assembly: Philips screwdriver and flathead screwdriver (if using power tools, use with care).

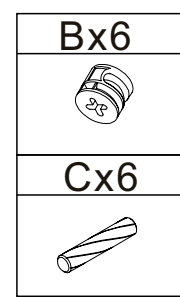
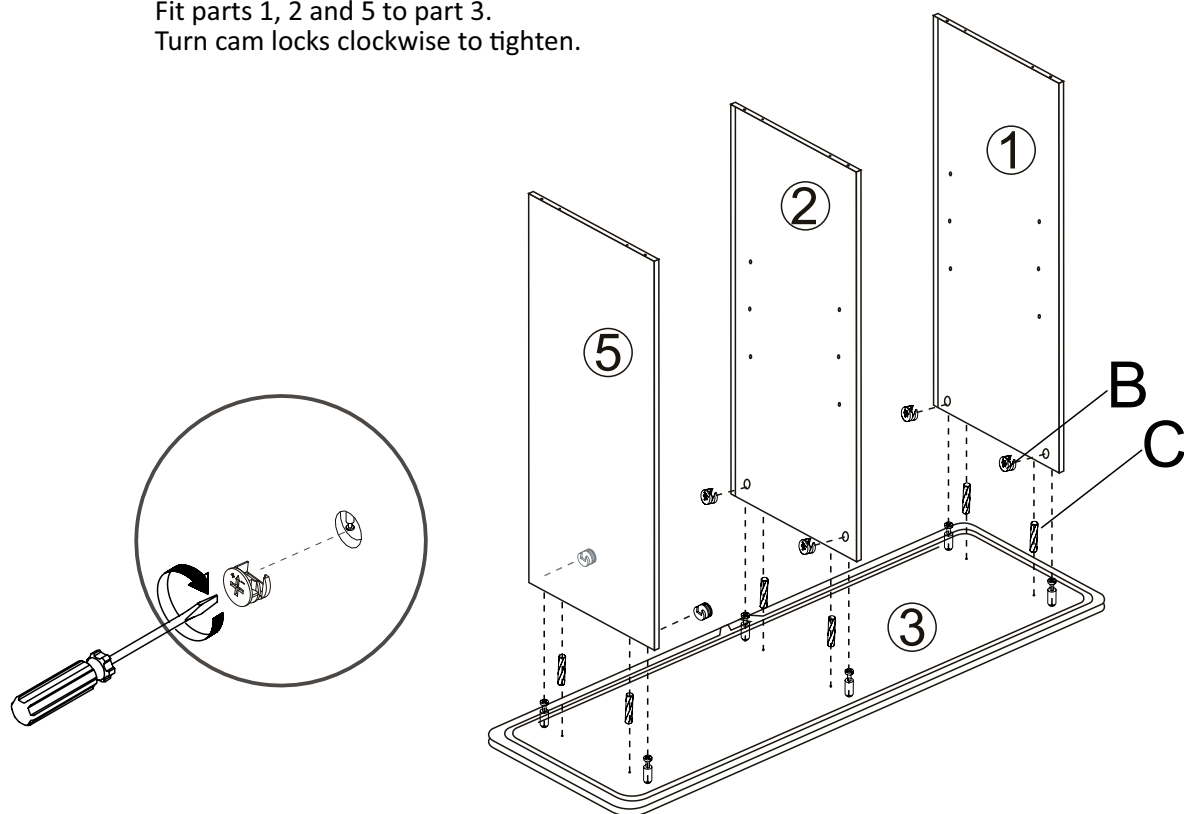


Product Name:	Natural Finish Wood 2-Door 35.43 In. Wide Storage Cabinet
SKU #:	WHIF1980

Step 1: Insert quickfit screws (A) into part 3, as shown.

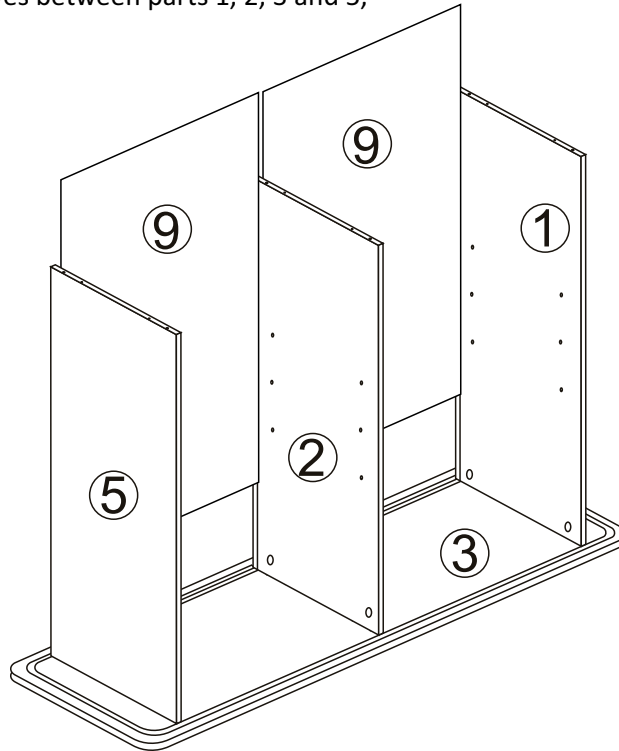


Step 2: Insert wooden dowels (C) into part 3, as shown.
 Insert cam locks (B) into parts 1, 2 and 5, as shown.
 Fit parts 1, 2 and 5 to part 3.
 Turn cam locks clockwise to tighten.

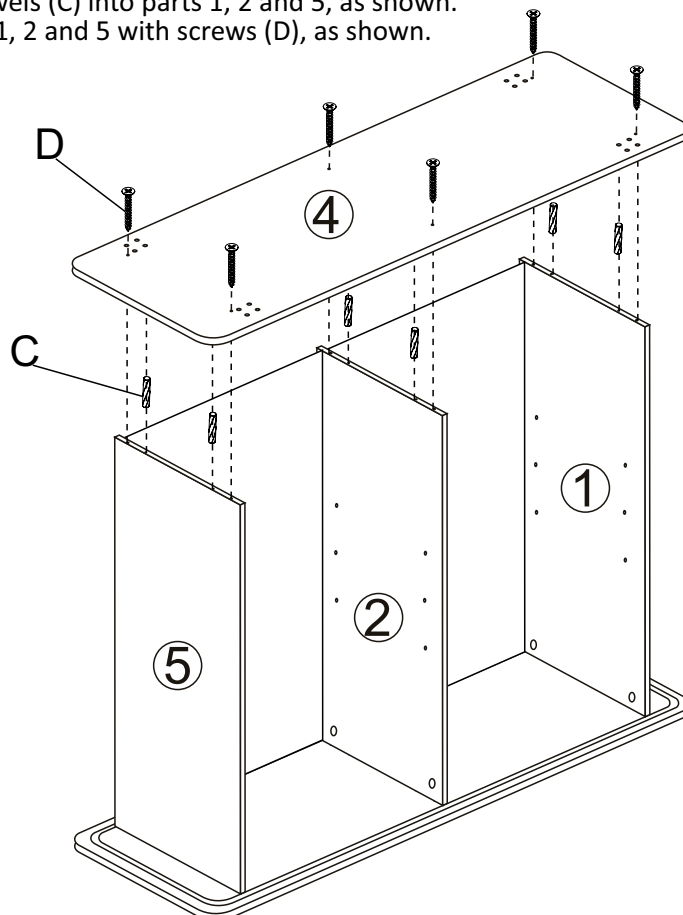


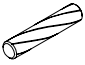
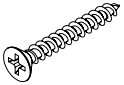
Product Name:	Natural Finish Wood 2-Door 35.43 In. Wide Storage Cabinet
SKU #:	WHIF1980

Step 3: Insert parts 9 into grooves between parts 1, 2, 3 and 5, as shown.



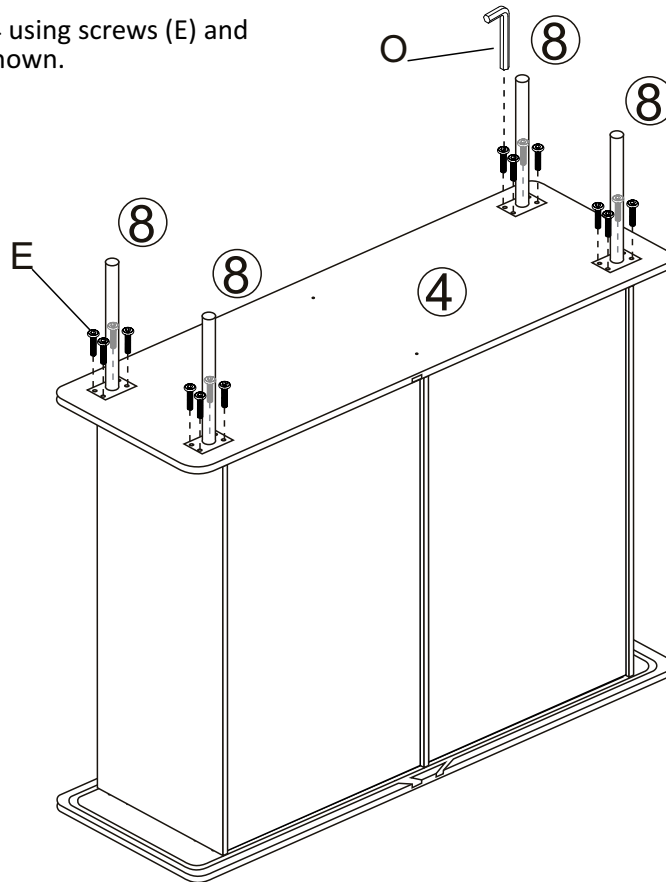
Step 4: Insert wooden dowels (C) into parts 1, 2 and 5, as shown. Fix part 4 to parts 1, 2 and 5 with screws (D), as shown.



Cx6

Dx6


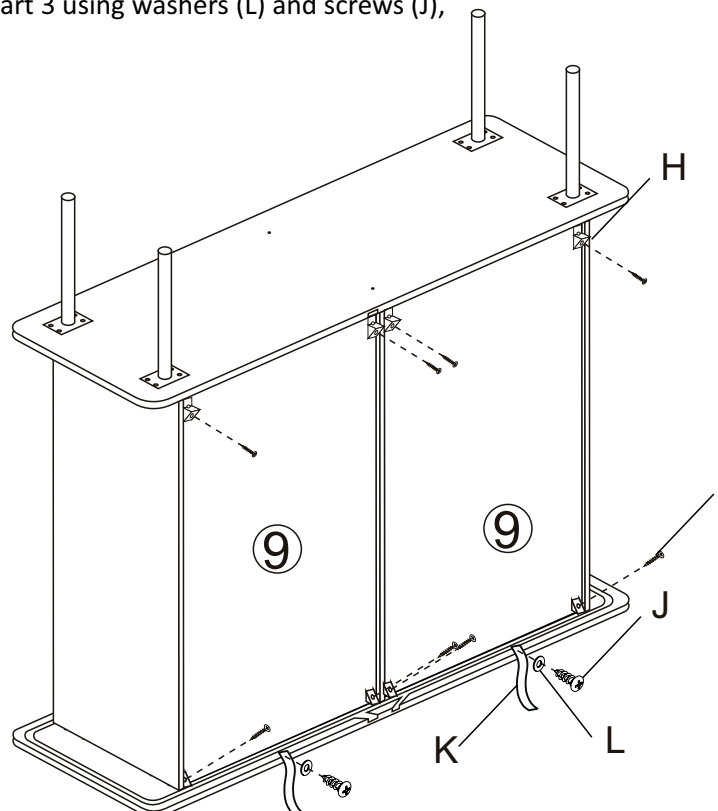
Product Name:	Natural Finish Wood 2-Door 35.43 In. Wide Storage Cabinet
SKU #:	WHIF1980

Step 5: Fix legs 8 to part 4 using screws (E) and allen key (O), as shown.



Ex16
Ox1

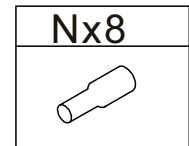
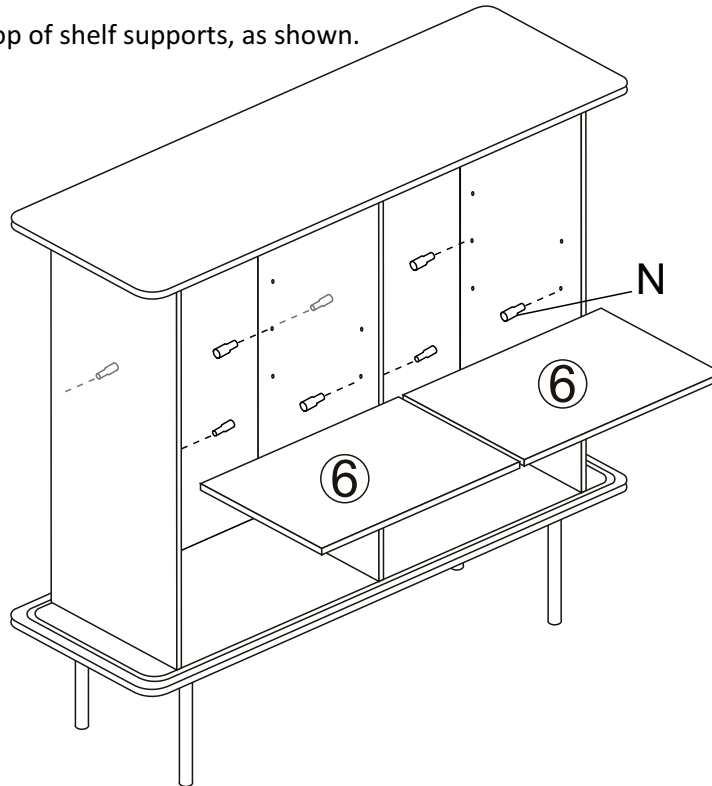
Step 6: Secure backing panel 9 by fixing wedges (H) using screws (I), as shown. Fix wall straps (K) to part 3 using washers (L) and screws (J), as shown.



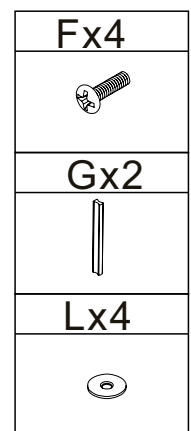
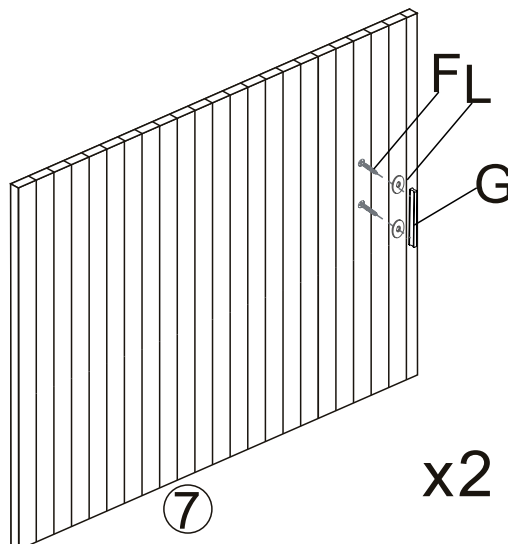
Hx8
Ix8
Jx2
Kx2
Lx2

Product Name:	Natural Finish Wood 2-Door 35.43 In. Wide Storage Cabinet
SKU #:	WHIF1980

Step 7: Fit shelf supports (N) into desired position in the assembled unit.
Place shelves 6 on top of shelf supports, as shown.



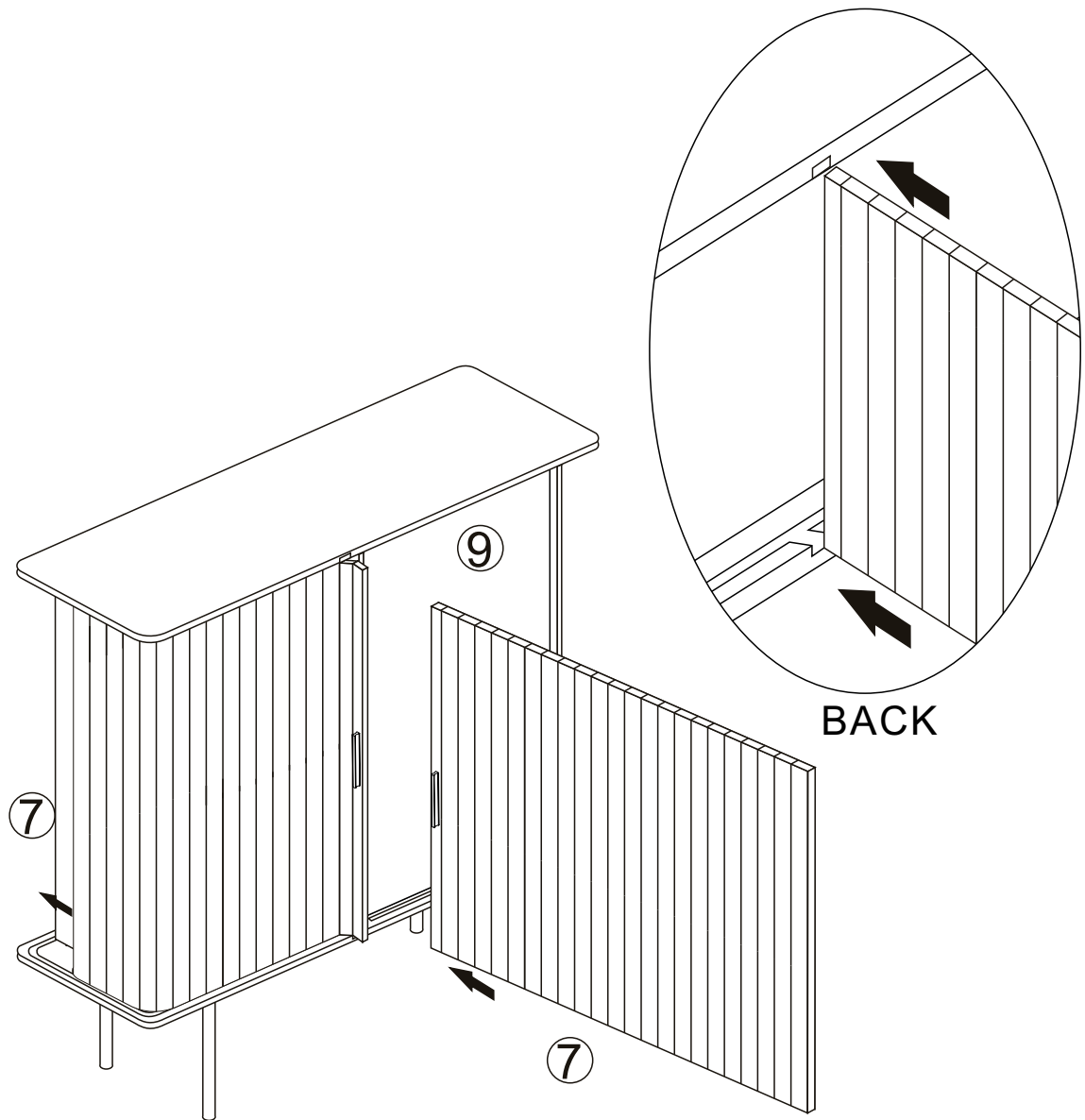
Step 8: Fix handles (G) to doors 7 using washers (L) and screws (F), as shown.



x2

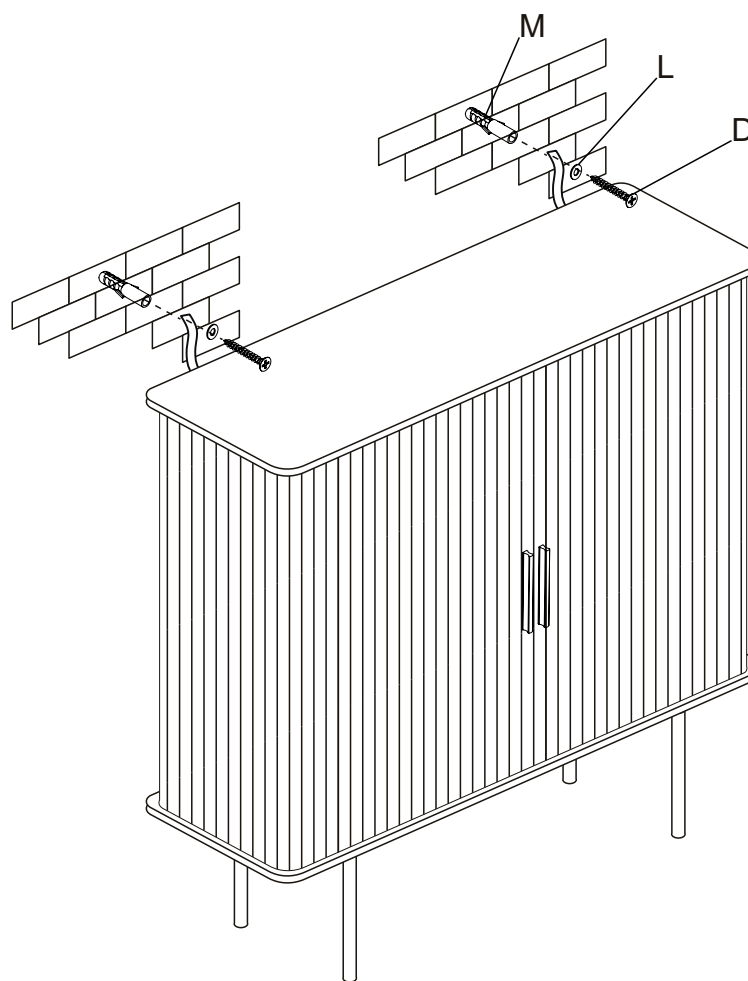
Product Name:	Natural Finish Wood 2-Door 35.43 In. Wide Storage Cabinet
SKU #:	WHIF1980

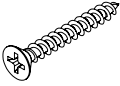

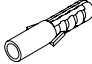
Step 9: Insert doors 7 into grooves between top and bottom from back, as shown.



Product Name:	Natural Finish Wood 2-Door 35.43 In. Wide Storage Cabinet
SKU #:	WHIF1980

Step 10: For extra stability, it is recommended that you fix your cabinet to the wall using hardware (D, L and M), as shown. Screws (D) are fixed through washers (L) and wall straps and into the wall plugs (M). Should you choose not to affix the product to the wall, serious injury may be caused if the product tips over.



Dx2

Lx2

Mx2




Warning: DO NOT sit or stand on the Cabinet as this may damage the product and cause serious bodily injury.