

Product Name:	Natural Finish Wood Oval Coffee Table with Enclosed Storage
SKU #:	WHIF1979



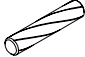
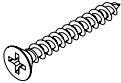
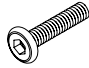



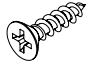
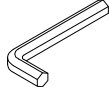


Thank you for purchasing this LuxenHöme product. This product has been manufactured with the highest standards of safety and quality.

PLEASE READ ALL INSTRUCTIONS BEFORE ASSEMBLY.

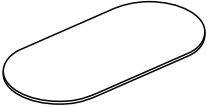
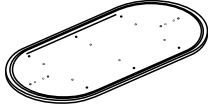
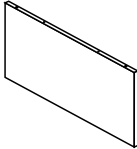
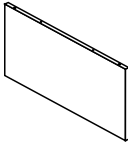
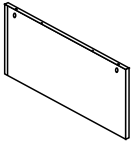
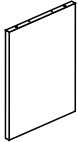
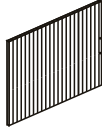


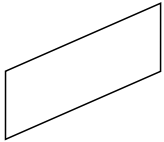
Unpack all parts from Styrofoam and bubble wrap inside the carton to ensure there are no missing or damaged parts. If any parts are missing or damaged, do not attempt to assemble or use the product.

CARTON CONTENTS:

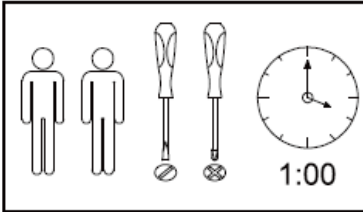
Hardware:

Ax10	Bx10	Cx20	Dx10	Ex20	Fx4	Gx2	Hx4
							
Ix4	Jx1	Kx1	Lx4				
							

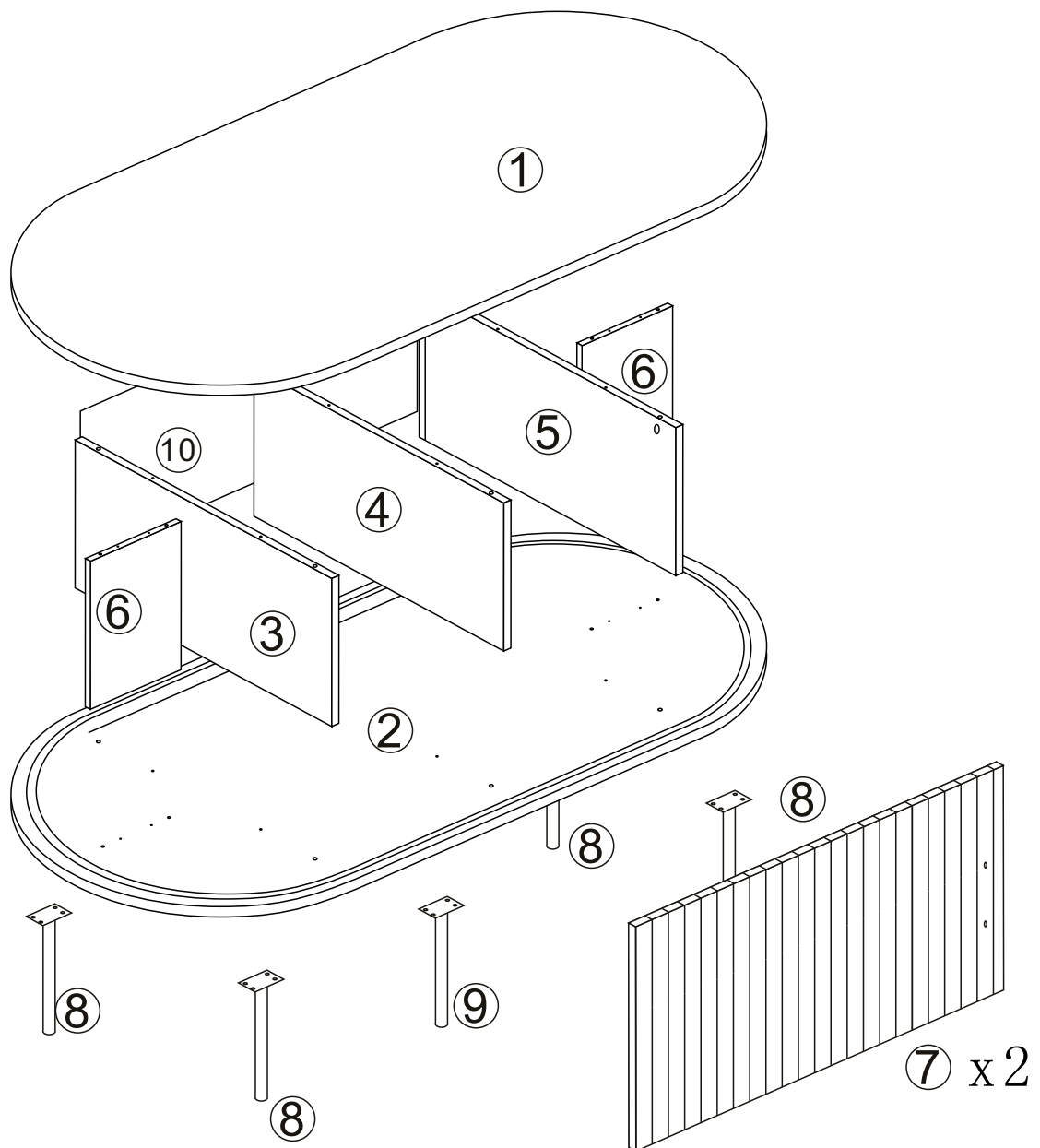
Panels:

①	x1	②	x1	③	x1	④	x1	⑤	x1
									
⑥	x2	⑦	x2	⑧	x4	⑨	x1	⑩	x1
									

Product Name:	Natural Finish Wood Oval Coffee Table with Enclosed Storage
SKU #:	WHIF1979

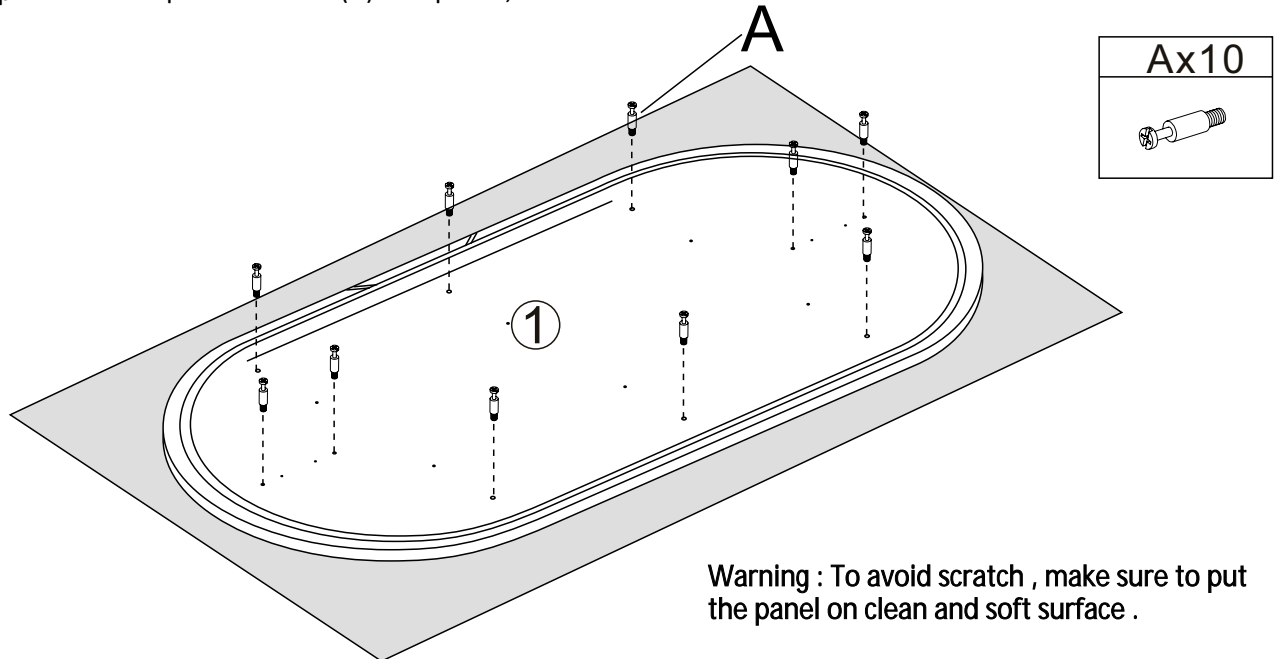


Tools required for assembly: Philips screwdriver and flathead screwdriver (if using power tools, use with care).

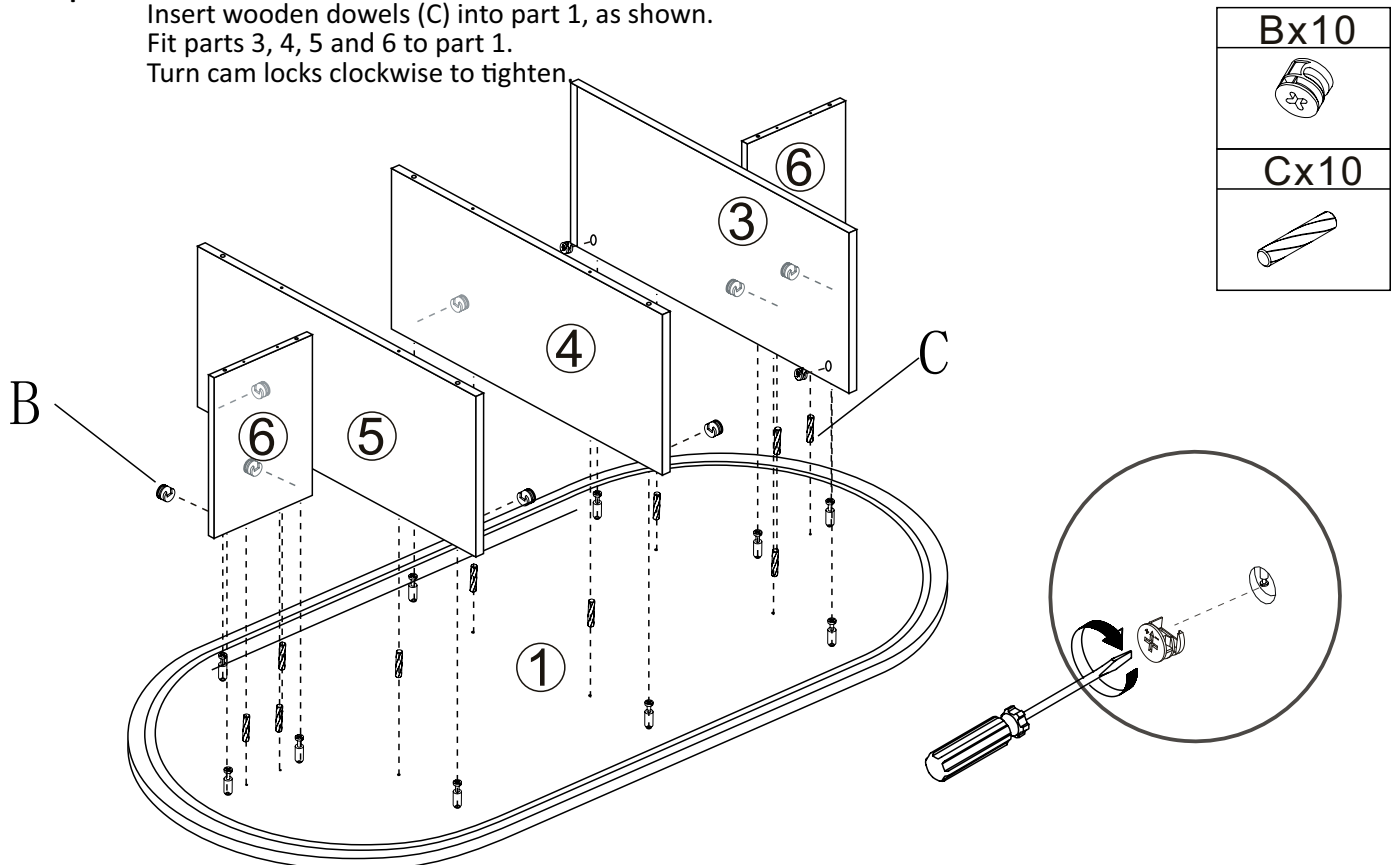


Product Name:	Natural Finish Wood Oval Coffee Table with Enclosed Storage
SKU #:	WHIF1979

Step 1 – Insert quickfit screws (A) into part 1, as shown.

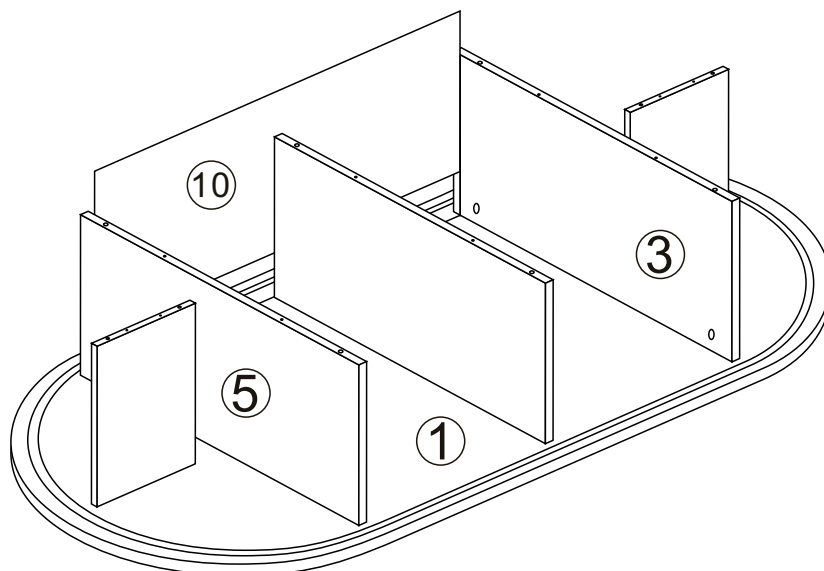


Step 2 – Insert cam locks (B) into parts 3, 4, 5 and 6, as shown.
 Insert wooden dowels (C) into part 1, as shown.
 Fit parts 3, 4, 5 and 6 to part 1.
 Turn cam locks clockwise to tighten.

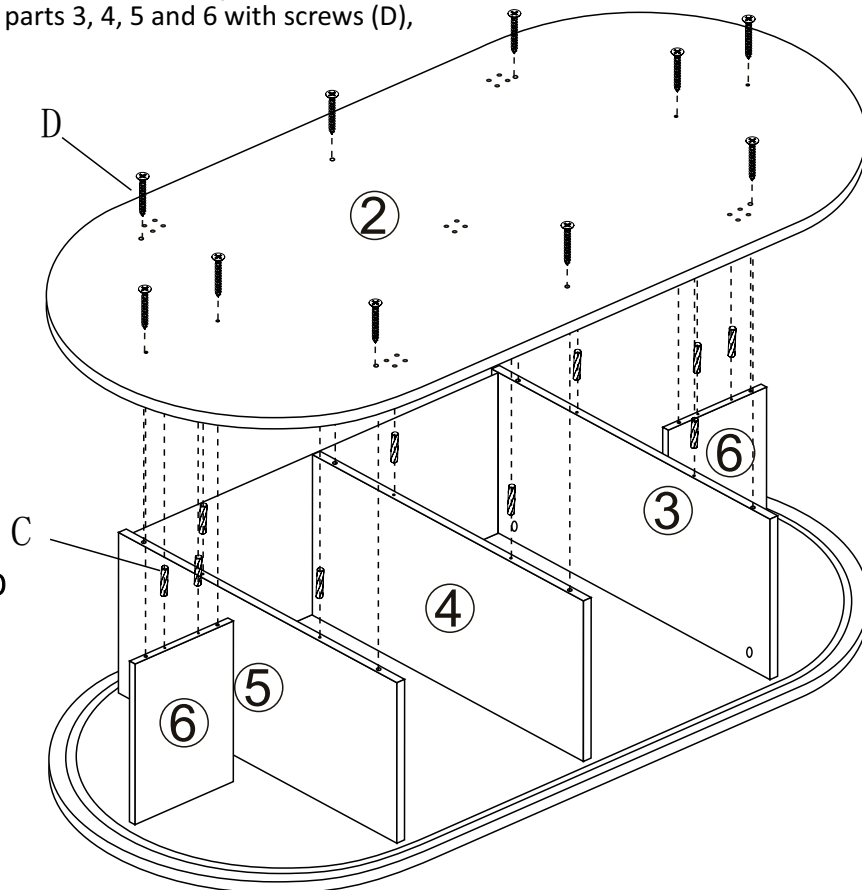


Product Name:	Natural Finish Wood Oval Coffee Table with Enclosed Storage
SKU #:	WHIF1979

Step 3: Insert part 10 into grooves between parts 3, 1 and 5, as shown.

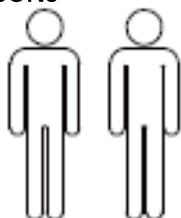


Step 4: Insert wooden dowels (C) into parts 3, 4, 5 and 6, as shown. Fix part 2 to parts 3, 4, 5 and 6 with screws (D), as shown.



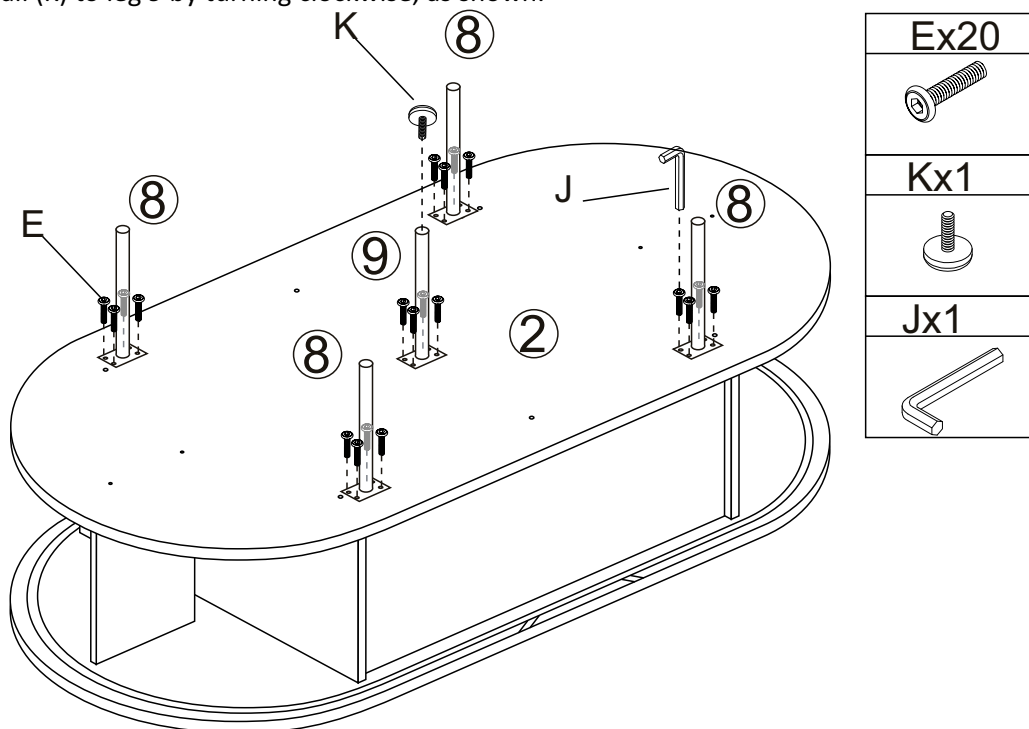
Cx10
Dx10

NOTE: THIS STEP TO BE ACCOMPLISHED BY TWO PERSONS

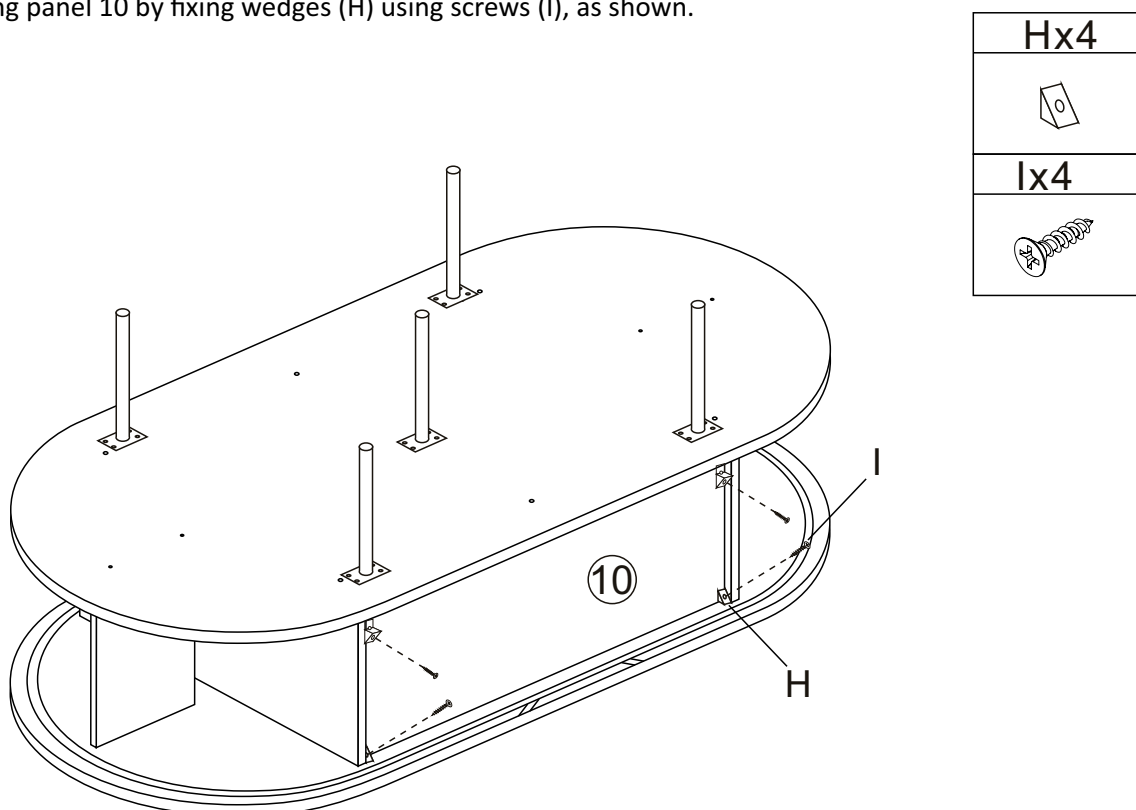


Product Name:	Natural Finish Wood Oval Coffee Table with Enclosed Storage
SKU #:	WHIF1979

Step 5: Fix legs 8 and 9 to part 2 using screws (E) and allen key (J), as shown. Screw foot nail (K) to leg 9 by turning clockwise, as shown.

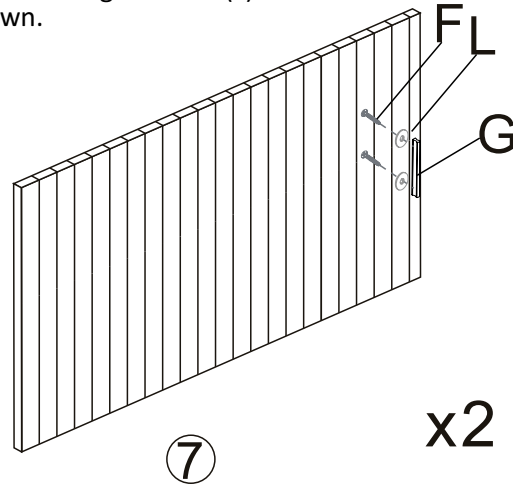


Step 6: Secure backing panel 10 by fixing wedges (H) using screws (I), as shown.



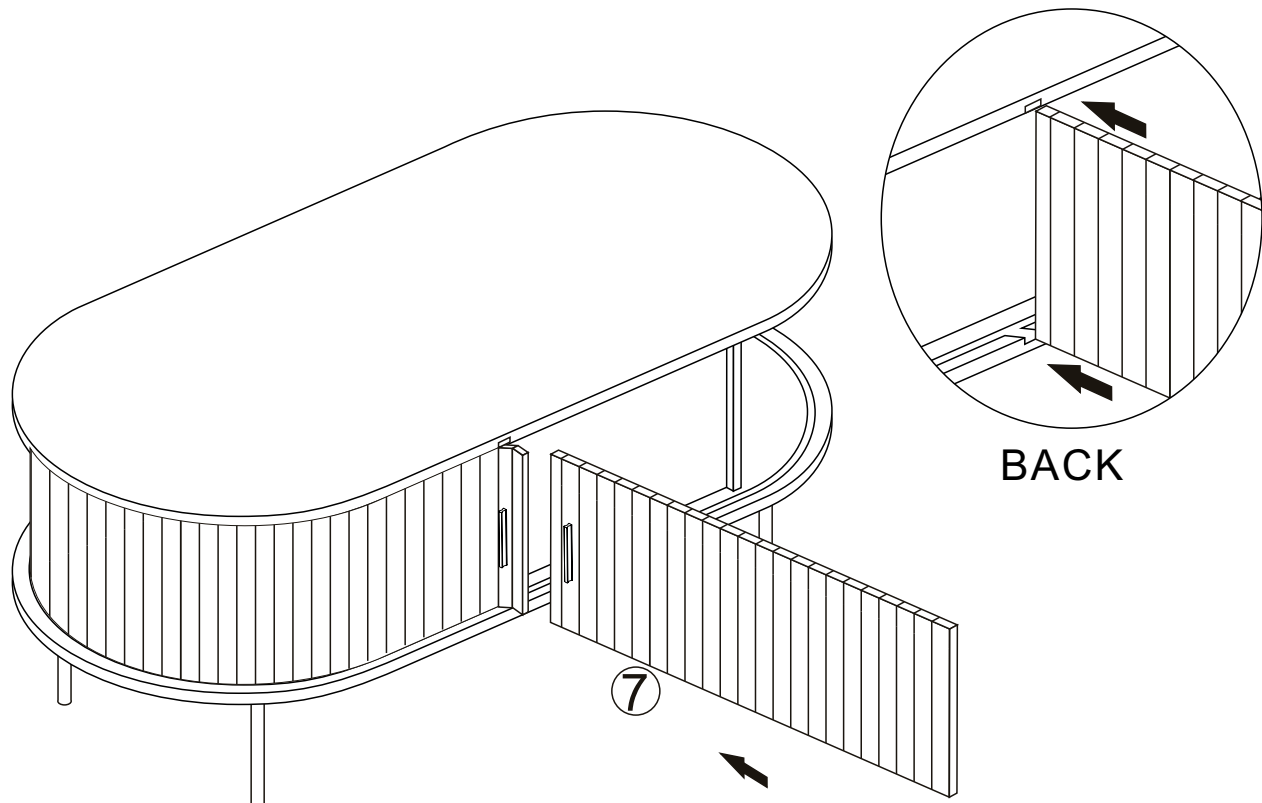
Product Name:	Natural Finish Wood Oval Coffee Table with Enclosed Storage
SKU #:	WHIF1979

Step 7: Fix handles (G) to doors 7 using washers (L) and screws (F), as shown.



Fx4
Gx2
Lx4

Step 8: Insert doors 7 into grooves between top and bottom from back, as shown.



Warning: DO NOT sit or stand on the Coffee table as this may damage the product and cause serious bodily injury.