

Product Name:	Light Wood 6-Drawer Bedroom Dresser
SKU #:	WHIF1632

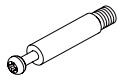
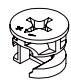
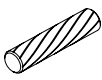







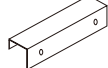





Thank you for purchasing this Luxen Home product. This product has been manufactured with the highest standards of safety and quality.

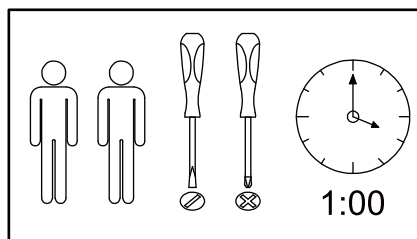
PLEASE READ ALL INSTRUCTIONS BEFORE ASSEMBLY.

Unpack all parts from Styrofoam and bubble wrap inside the carton to ensure there are no missing or damaged parts. If any parts are missing or damaged, do not attempt to assemble or use the product.

Assembly video link: [WHIF1632 Assembly Video on YouTube](#)

Hardware:

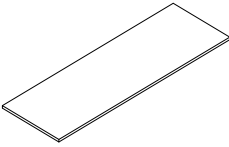
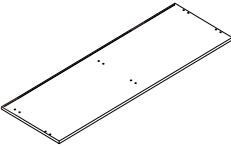
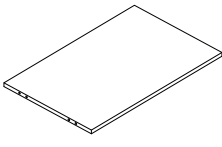
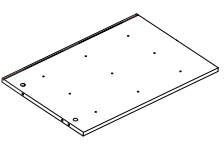
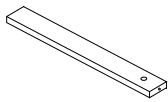
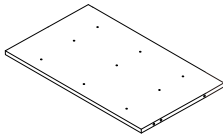
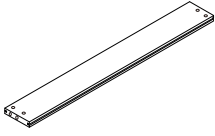
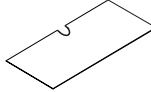
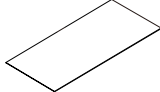
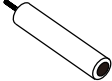
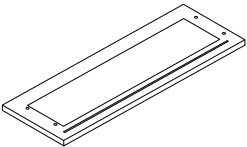
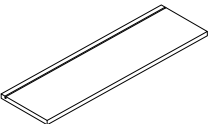
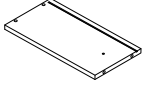
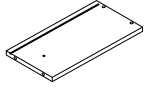
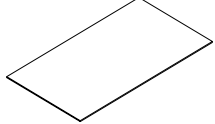
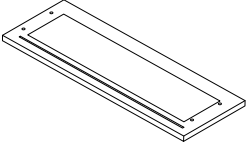
A x44	B x44	C x12	D x30	E x36	F x2	G x8
			 4x30mm	 3x12mm		 4x35mm
H x2	I x2	J x12	K x6	L x4	M x12	N x12
 4x12mm		 3.5x12mm				 4x10mm
O x16	P x16					
 3x14mm						



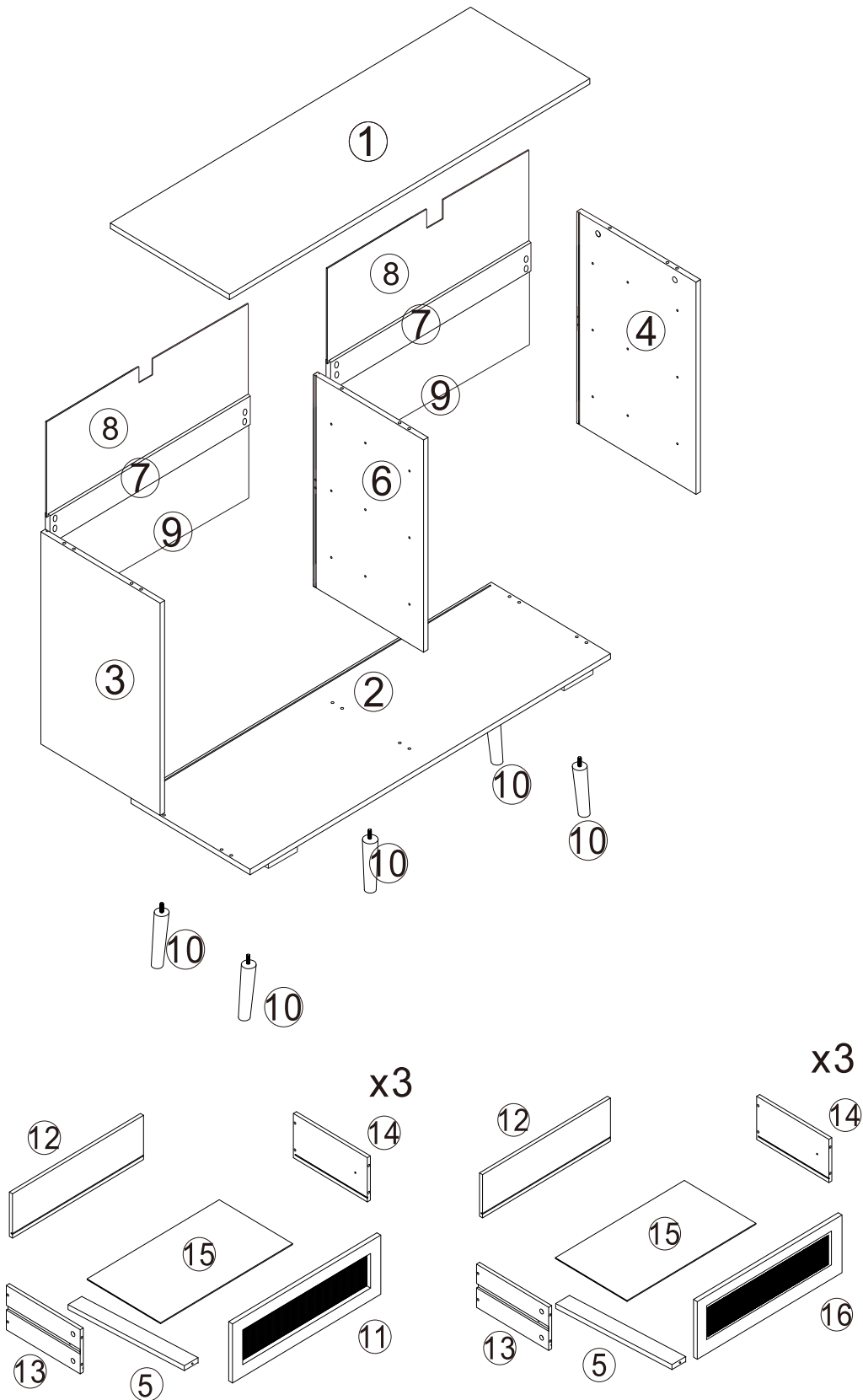
Tools required for assembly: Philips screwdriver and Flathead Screwdriver (if using power tools, use with care)

Product Name:	Light Wood 6-Drawer Bedroom Dresser
SKU #:	WHIF1632

Panels:

① x1 	② x1 	③ x1 	④ x1 	⑤ x6 
⑥ x1 	⑦ x2 	⑧ x2 	⑨ x2 	⑩ x5 
⑪ x3 	⑫ x6 	⑬ x6 	⑭ x6 	⑮ x6 
⑯ x3 				

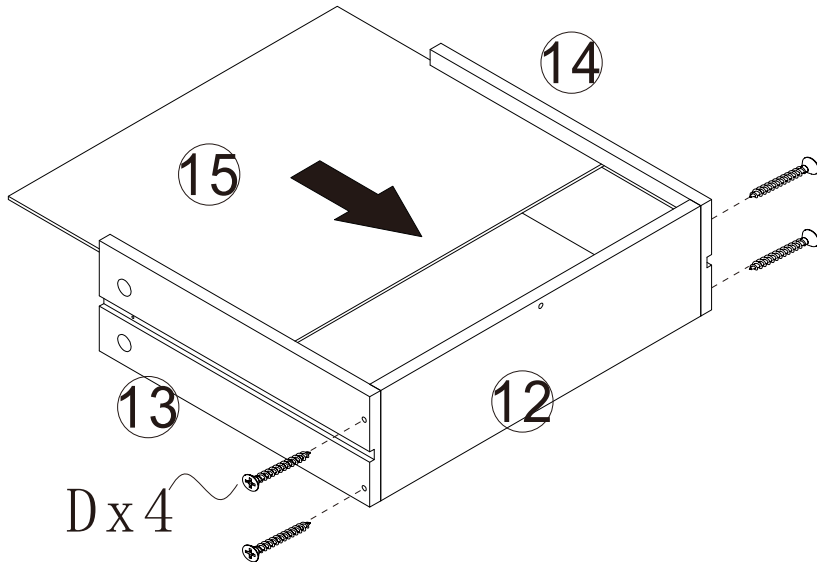
Product Name:	Light Wood 6-Drawer Bedroom Dresser
SKU #:	WHIF1632



Product Name:	Light Wood 6-Drawer Bedroom Dresser
SKU #:	WHIF1632

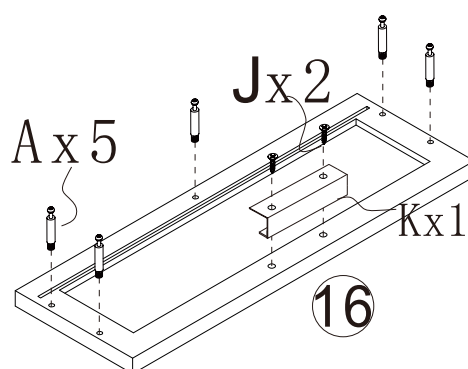
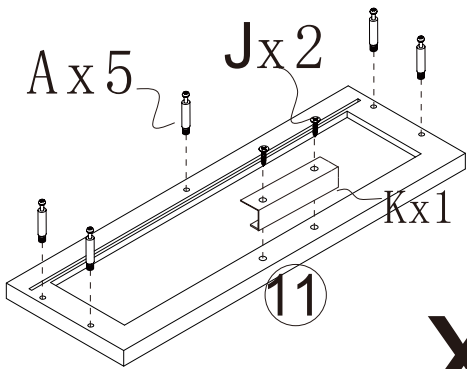
Step 1

x6

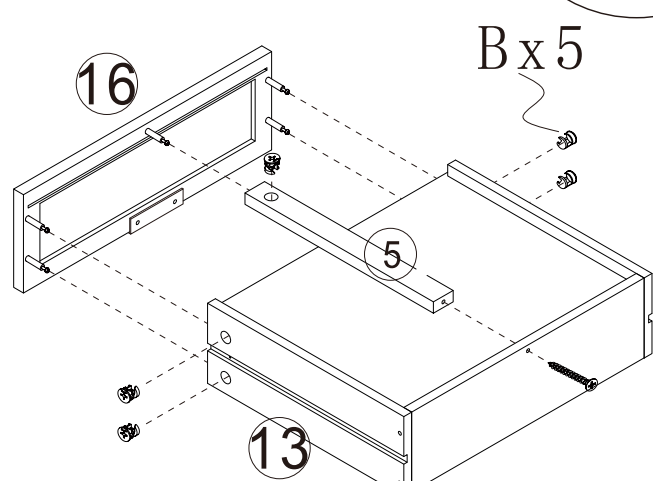
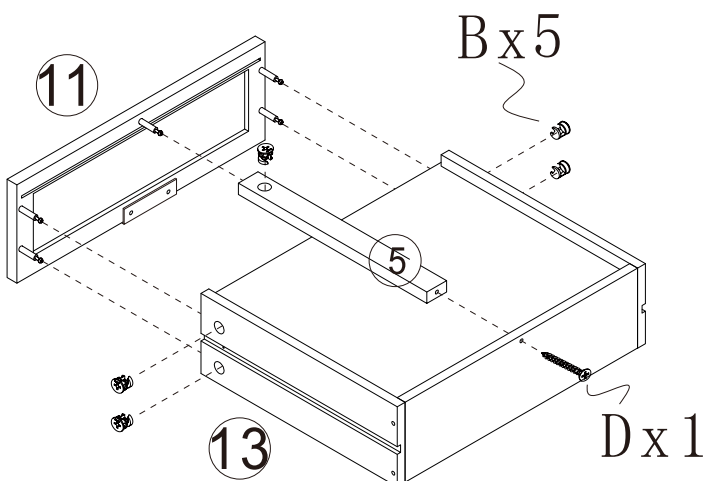
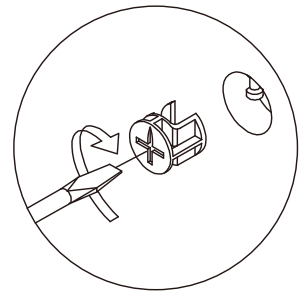


Connect Panel 12 to 13&14 with Hardware D
Insert Panel 15 along the slots of 13&14.

A x 30
B x 30
D x 30
J x 12
K x 6





x3

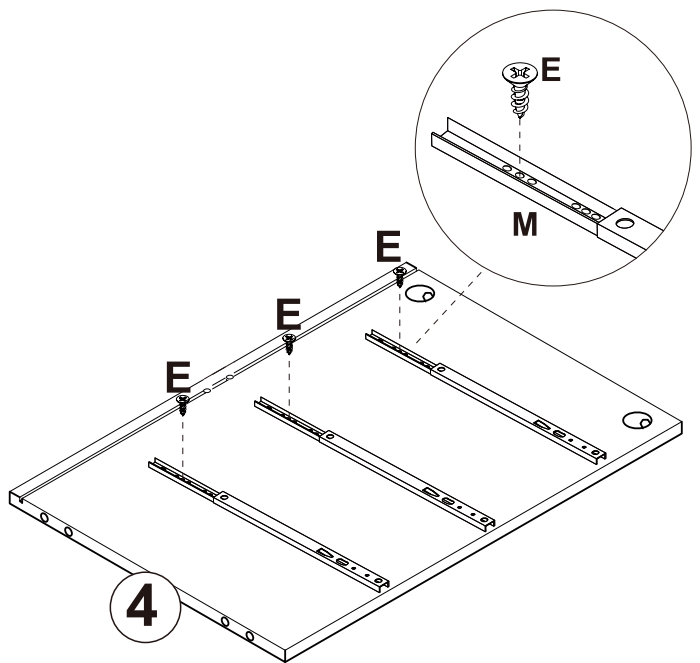
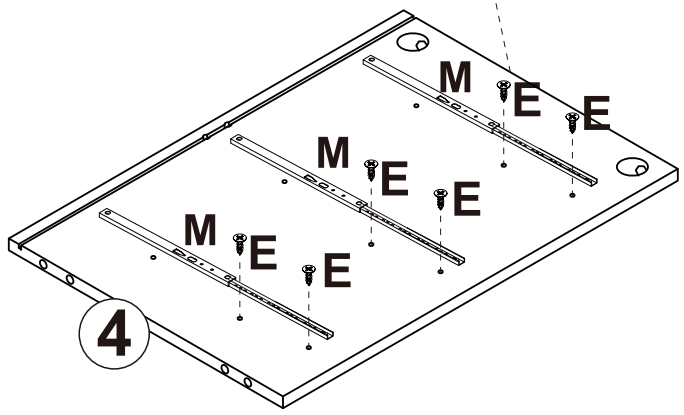
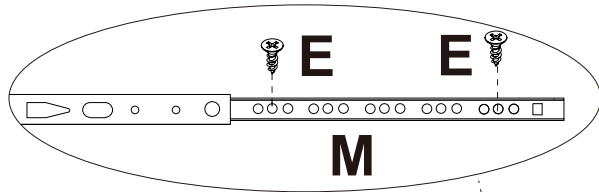


Fix Hardware A to Panel 11&16
Install Hardware K on 11&16 with J
Connect 5 to 12 with Hardware D
Lock Panel 11&16 to 13&14&5 with Hardware B.

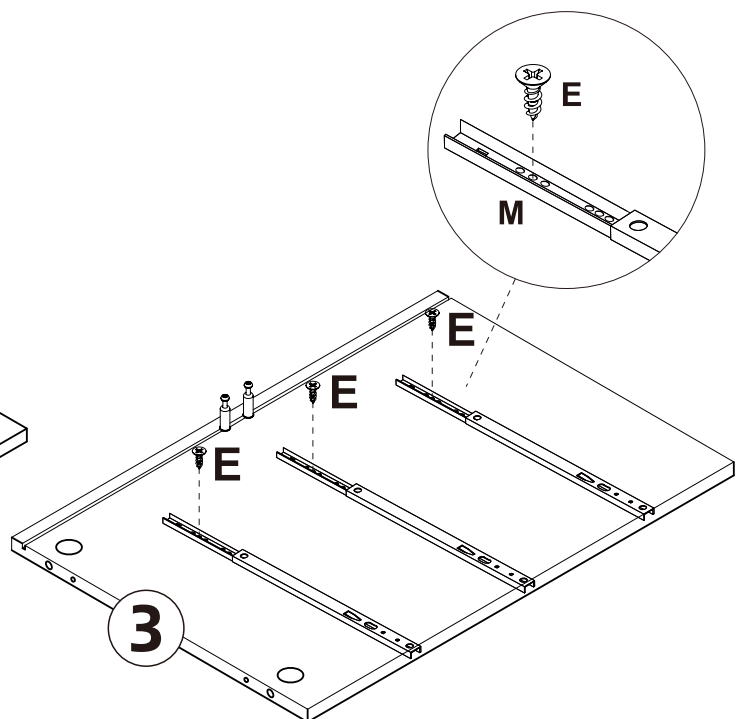
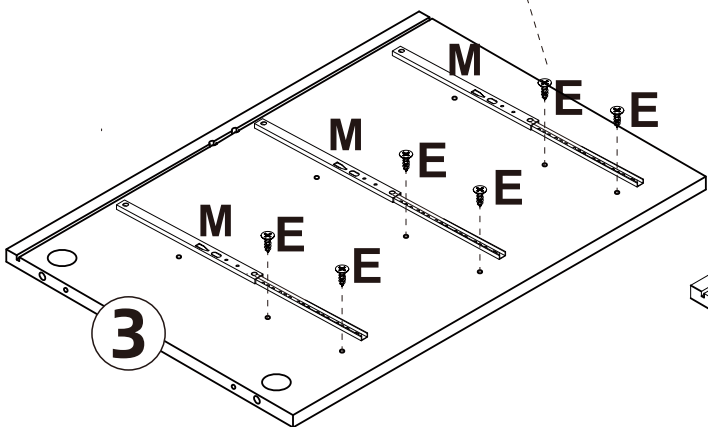
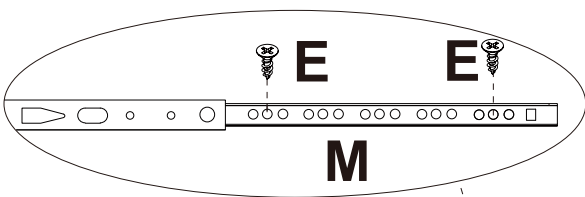
Product Name:	Light Wood 6-Drawer Bedroom Dresser
SKU #:	WHIF1632

E x 18	M x 6
	



Step 2



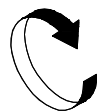
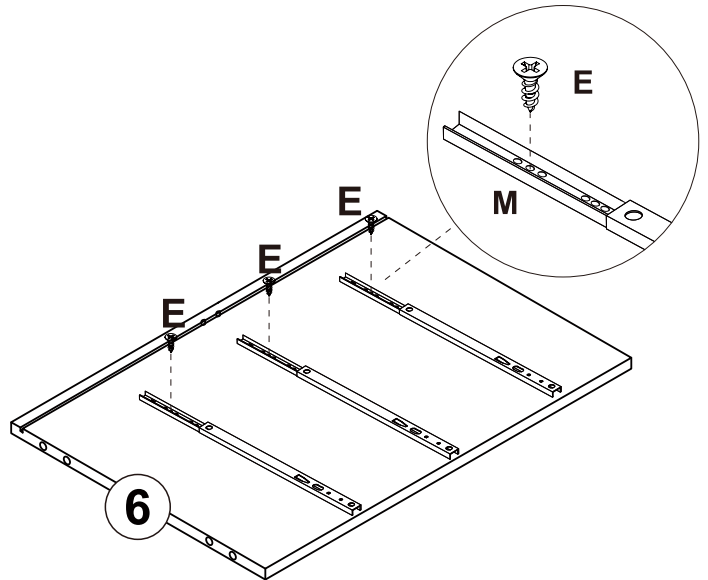
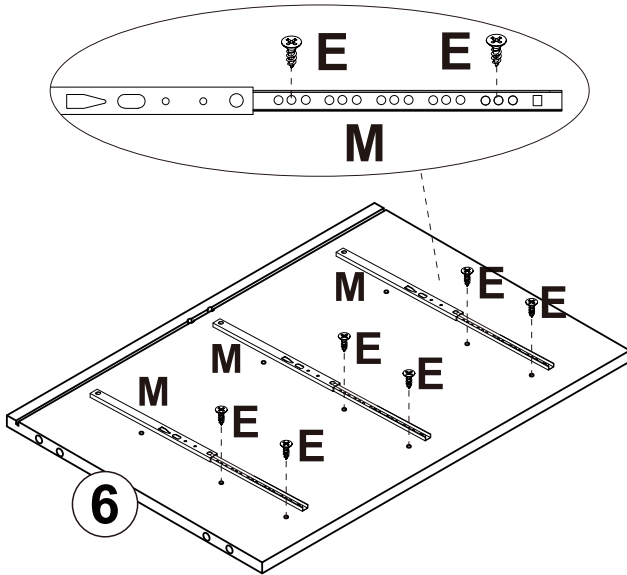
Stretch Hardware M and fix it to Panel 4&3 with E.



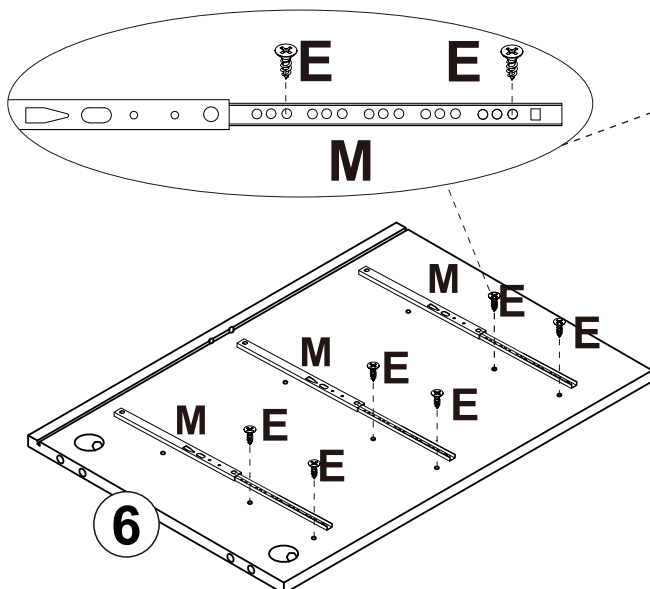
Product Name:	Light Wood 6-Drawer Bedroom Dresser
SKU #:	WHIF1632

E x 18	M x 6
	

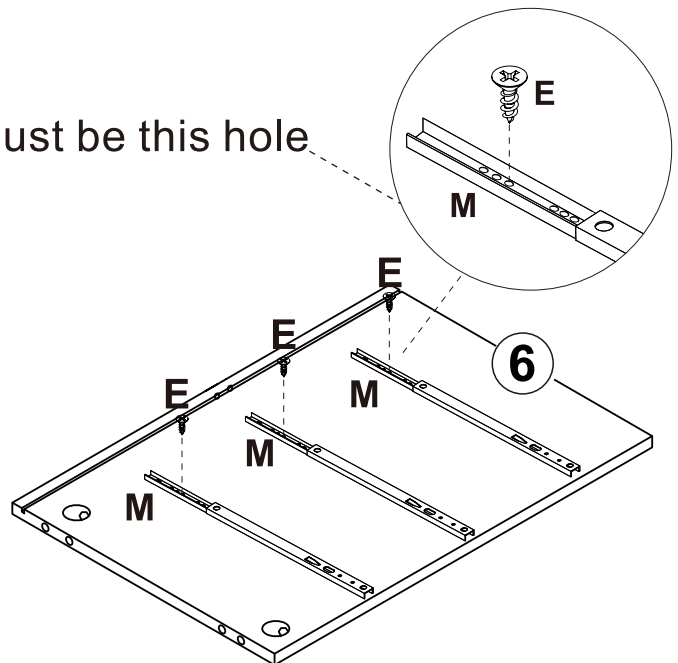
Step 3



Turn panel 6 over 180 degrees.



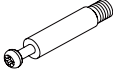
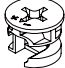
Must be this hole

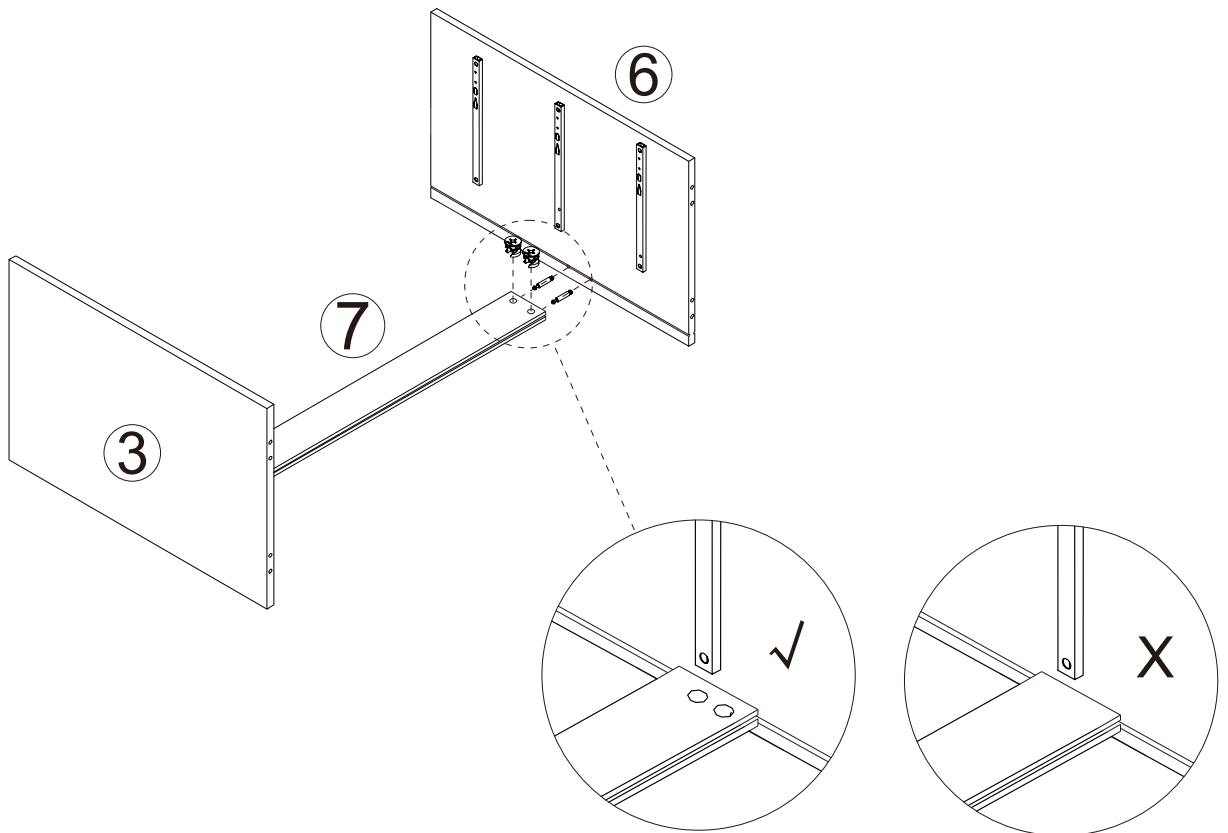
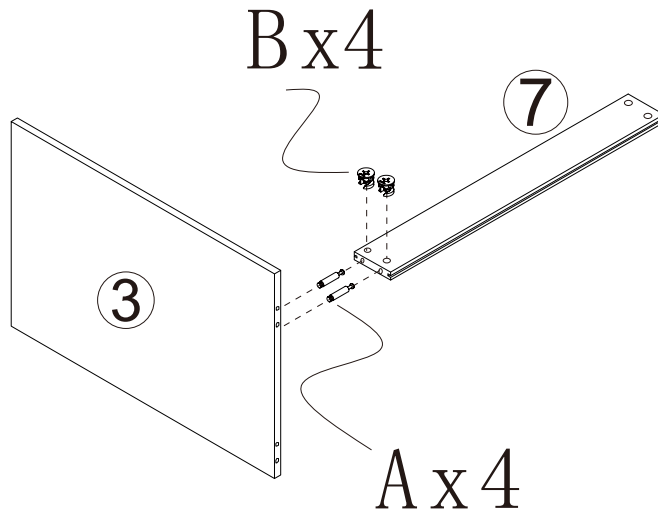


Stretch Hardware M and fix it to both sides of Panel 6 with E.

Product Name:	Light Wood 6-Drawer Bedroom Dresser
SKU #:	WHIF1632

Step 4

A x 4

B x 4




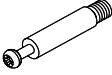

Please note the direction of cam lock hole facing inward.

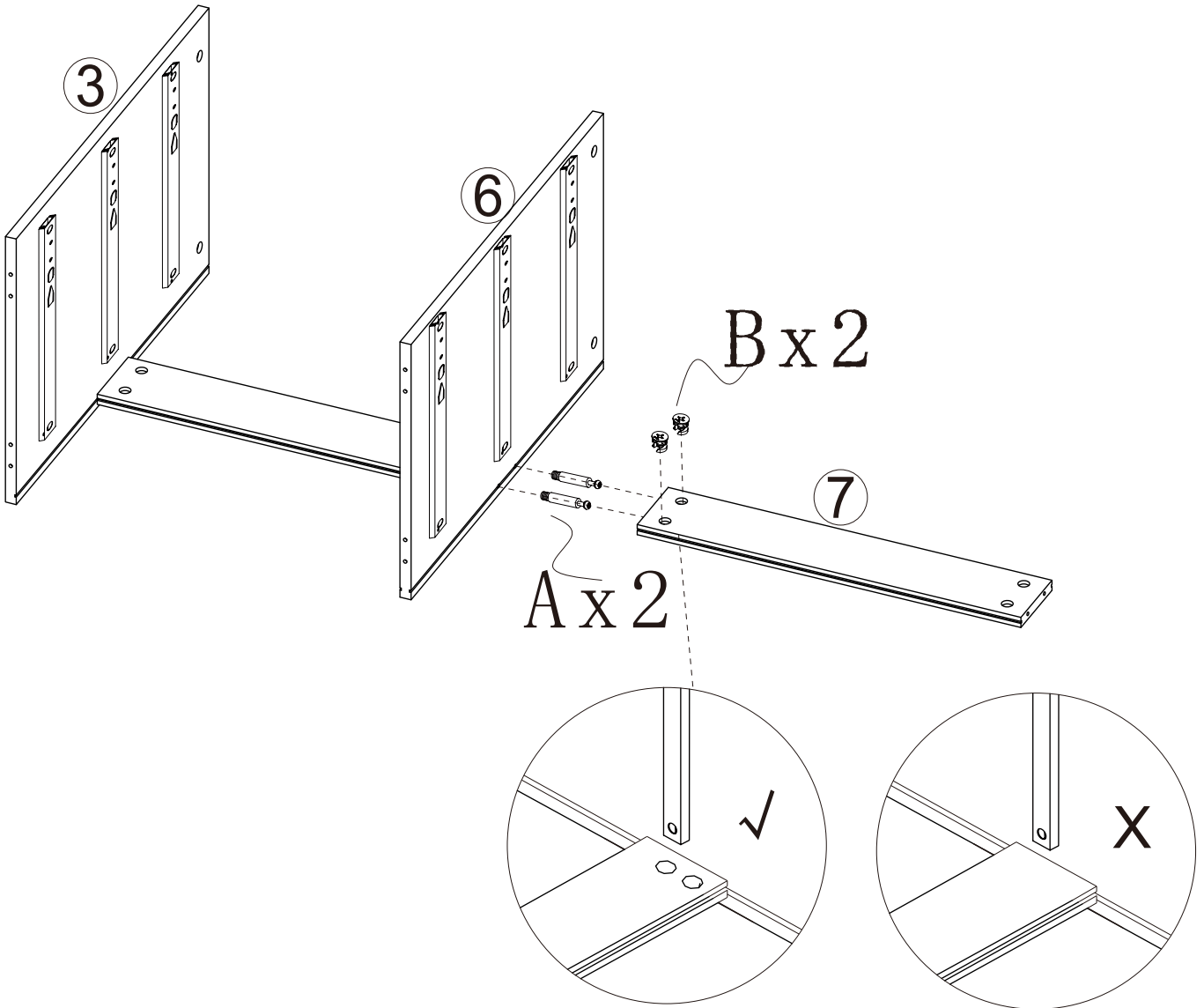
Connect Panel 7 to 3&6 with Hardware A&B.

Product Name:	Light Wood 6-Drawer Bedroom Dresser
SKU #:	WHIF1632

Step 5

THIS STEP TO BE ACCOMPLISHED BY TWO PERSONS.

A x 2

B x 2


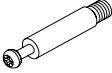



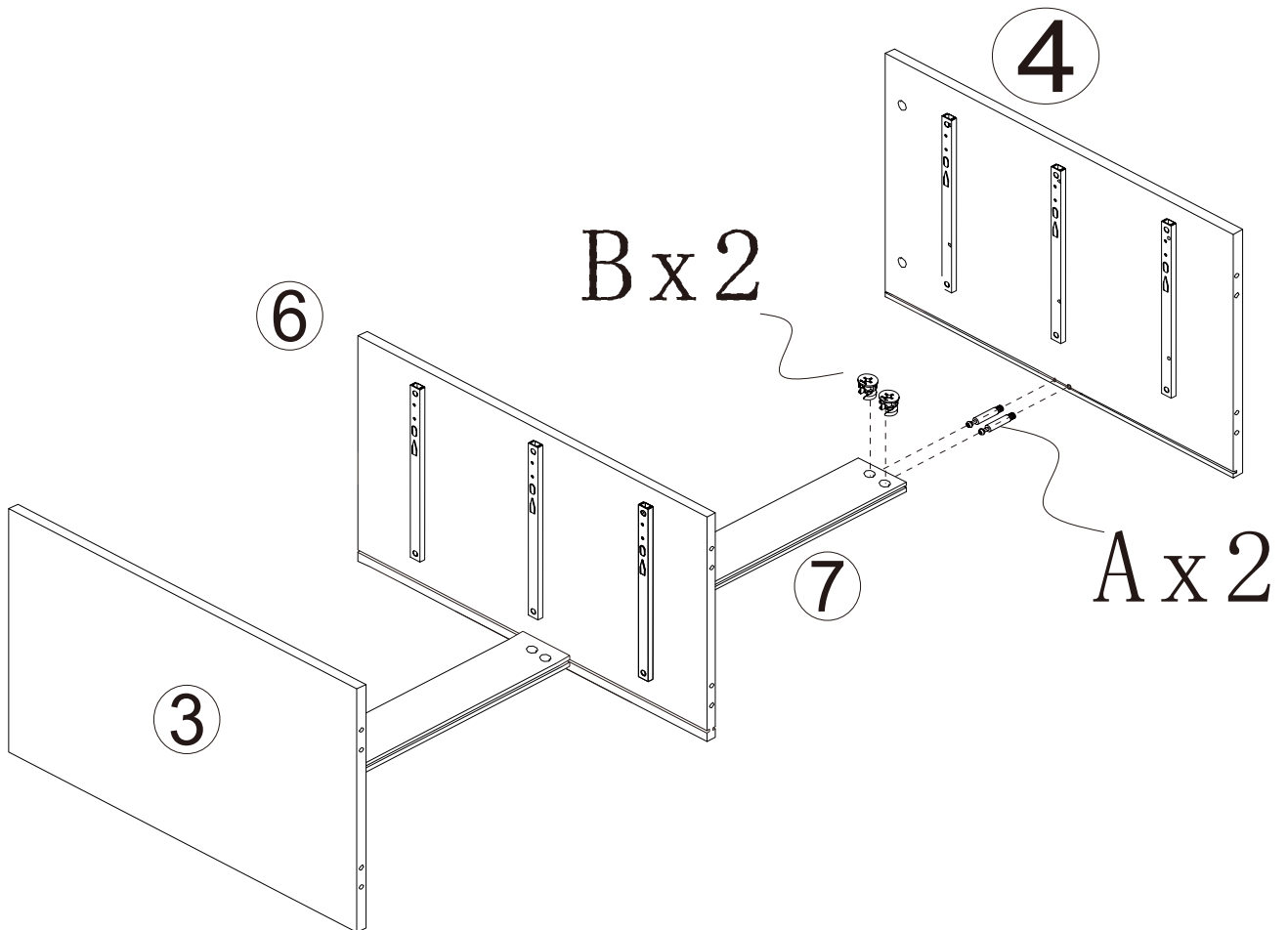
Connect the other Panel 7 to 6 with Hardware A&B.

Product Name:	Light Wood 6-Drawer Bedroom Dresser
SKU #:	WHIF1632

Step 6

THIS STEP TO BE ACCOMPLISHED BY TWO PERSONS.

A x 2

B x 2


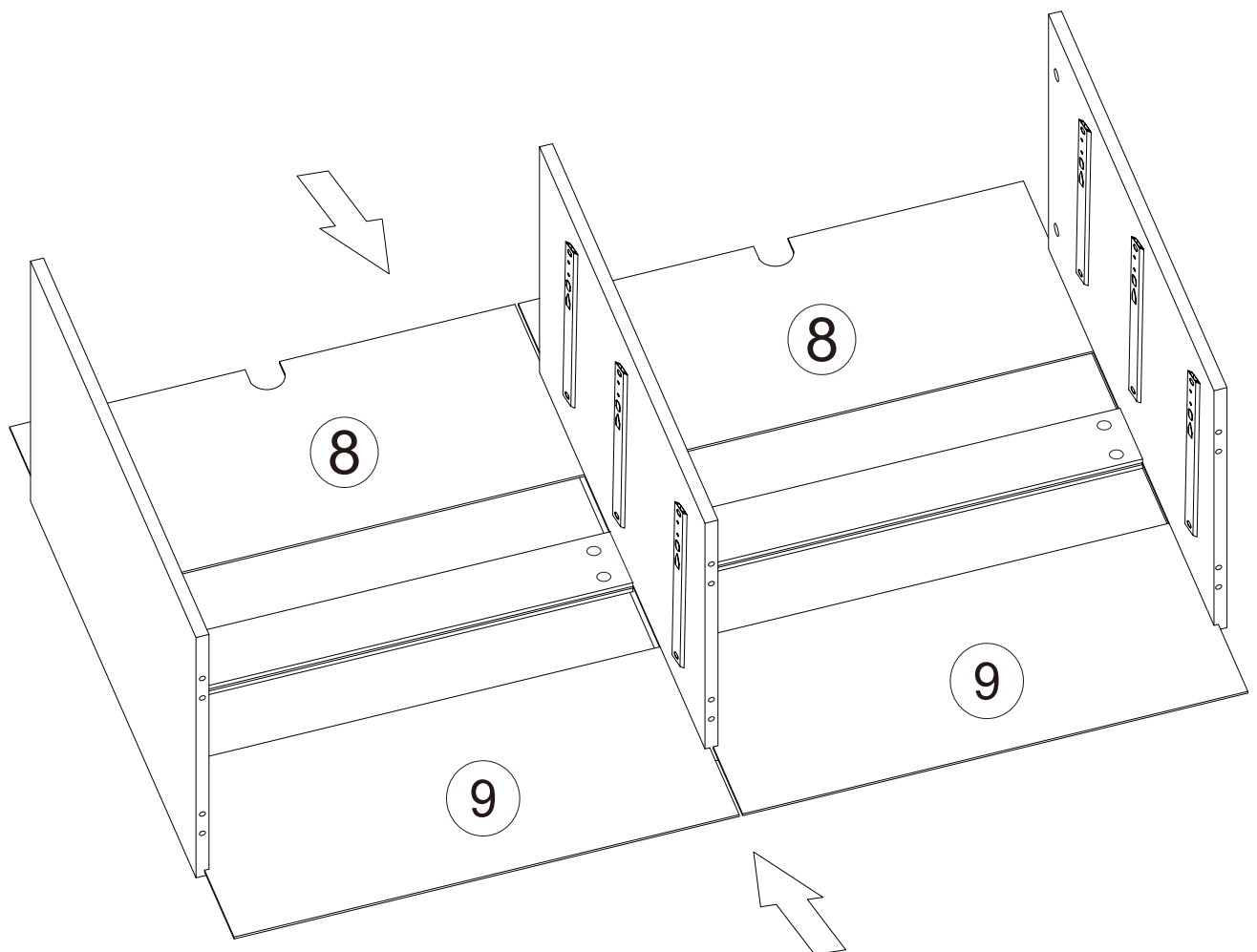


Connect Panel 4 to 7 with Hardware A&B.

Product Name:	Light Wood 6-Drawer Bedroom Dresser
SKU #:	WHIF1632

Step 7

THIS STEP TO BE ACCOMPLISHED
BY TWO PERSONS.

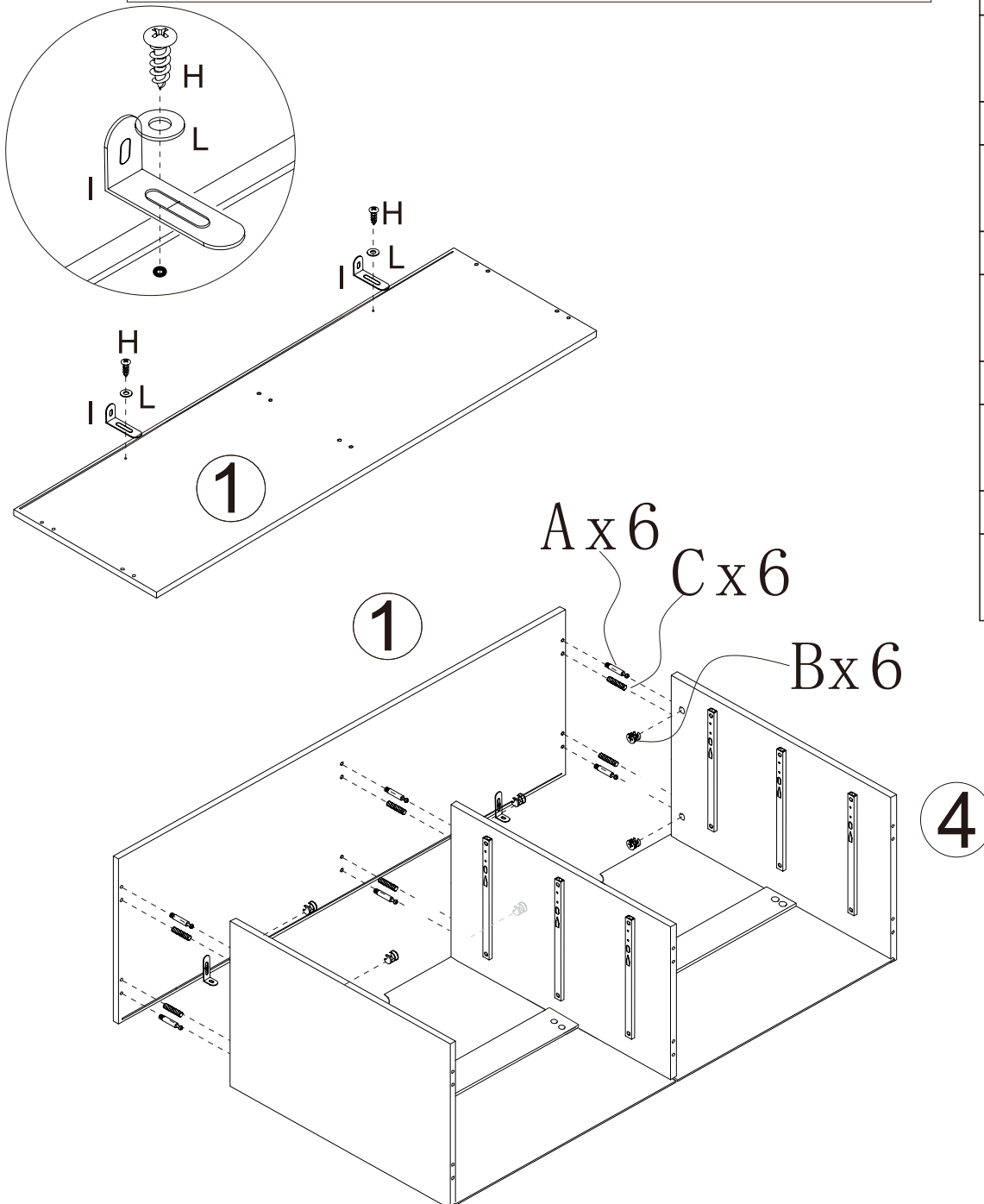


Insert Panel 8&9 along the slots of 3&6&4.

Product Name:	Light Wood 6-Drawer Bedroom Dresser
SKU #:	WHIF1632

Step 8

THIS STEP TO BE ACCOMPLISHED BY TWO PERSONS.





A x 6
B x 6
C x 6
H x 2
I x 2
L x 2

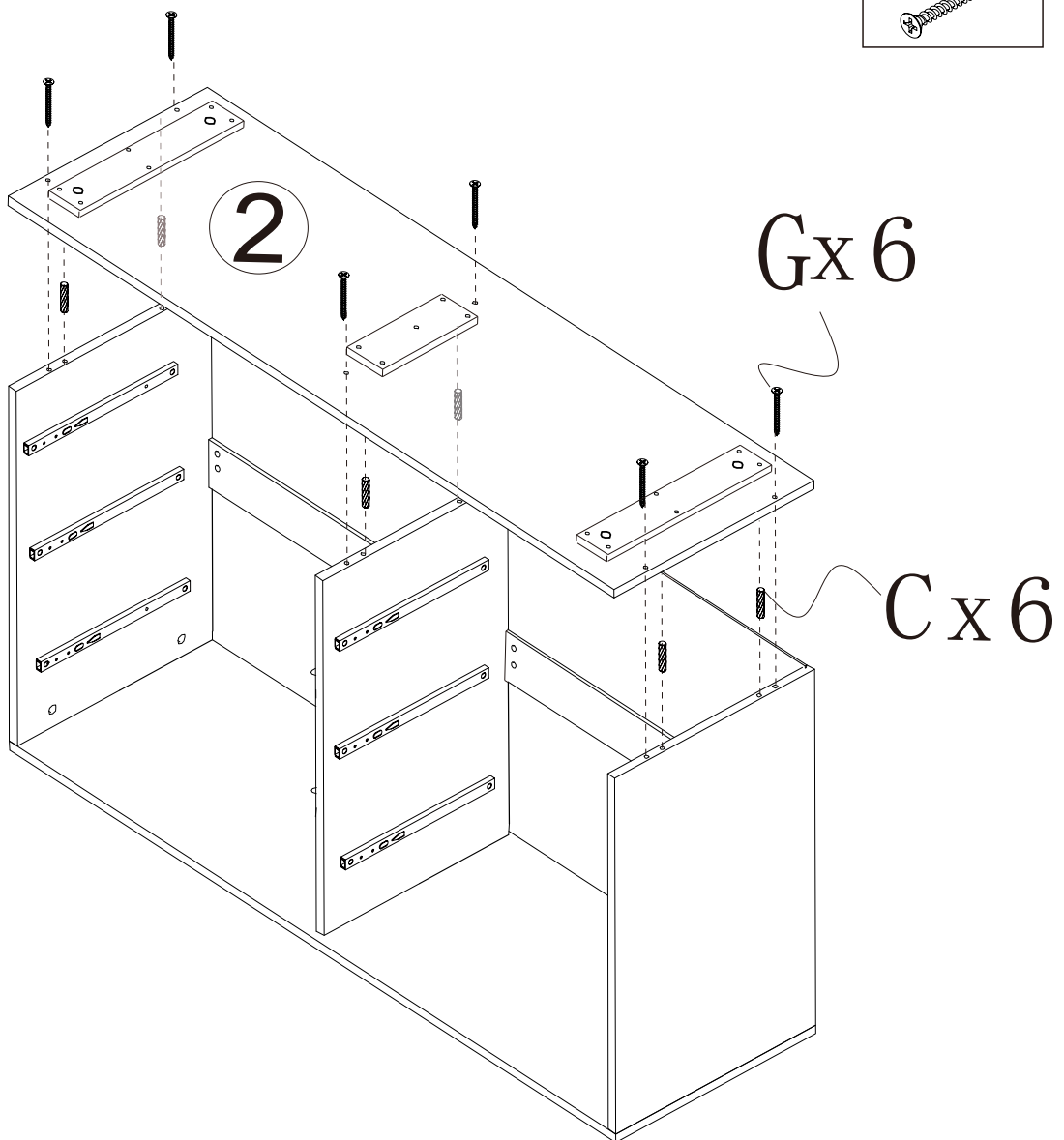
Fix Hardware I to Panel 1 with Hardware H&L
 Lock Panel 1 to 3&6&4 with Hardware C&A&B(C/A first).

Product Name:	Light Wood 6-Drawer Bedroom Dresser
SKU #:	WHIF1632

Step 9

THIS STEP TO BE ACCOMPLISHED BY TWO PERSONS.

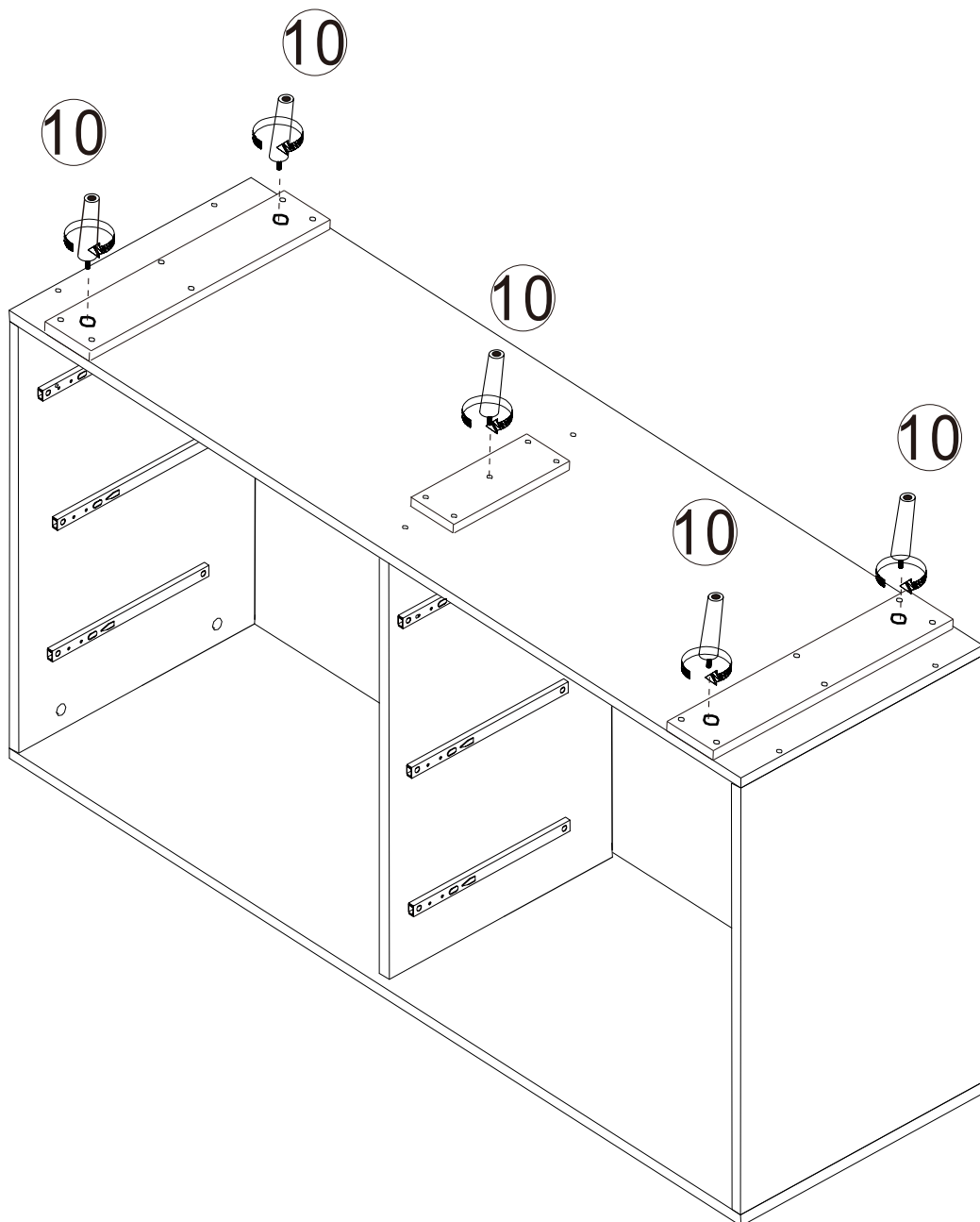
C x 6

G x 6




Lock Panel 2 to 4&6&3 with Hardware C&G(C first).

Product Name:	Light Wood 6-Drawer Bedroom Dresser
SKU #:	WHIF1632



Step 10

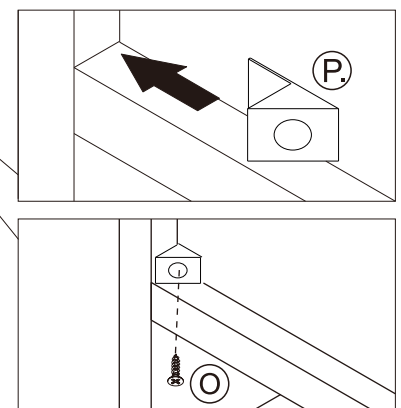
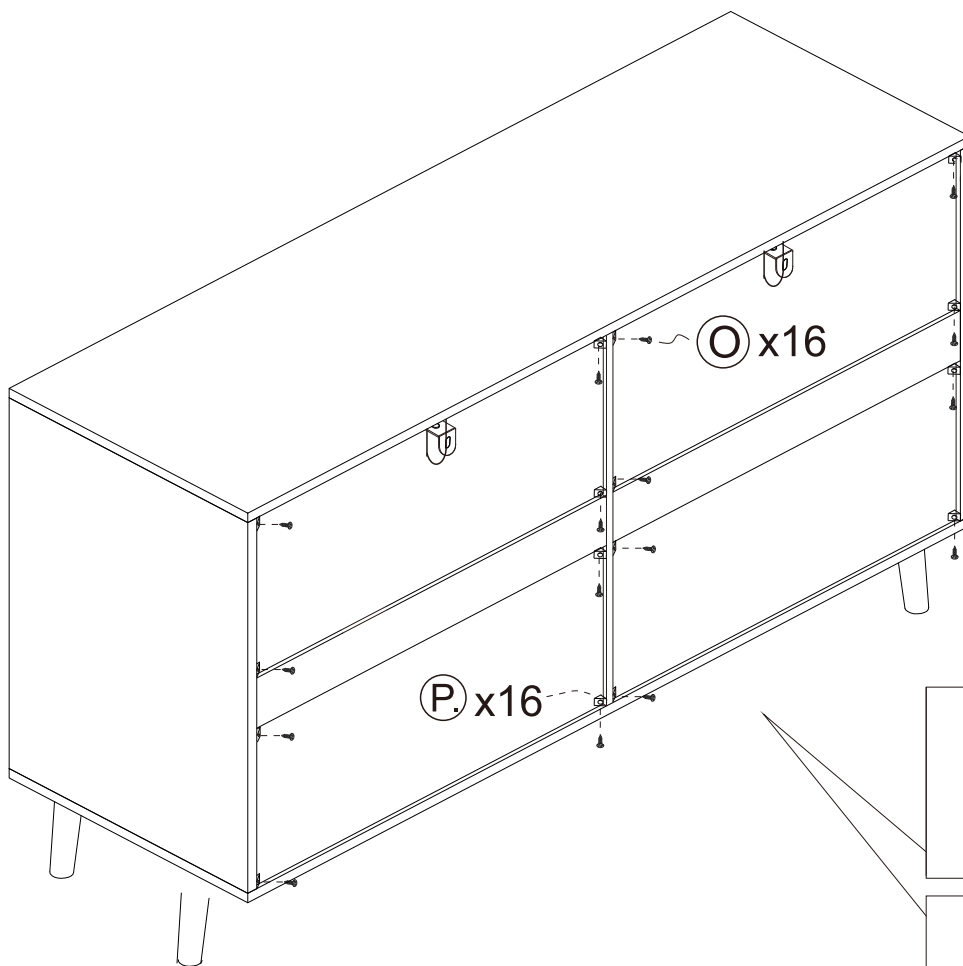


Install Part 10 on 5&9.

Product Name:	Light Wood 6-Drawer Bedroom Dresser
SKU #:	WHIF1632

Step 11




Ox16

Px16


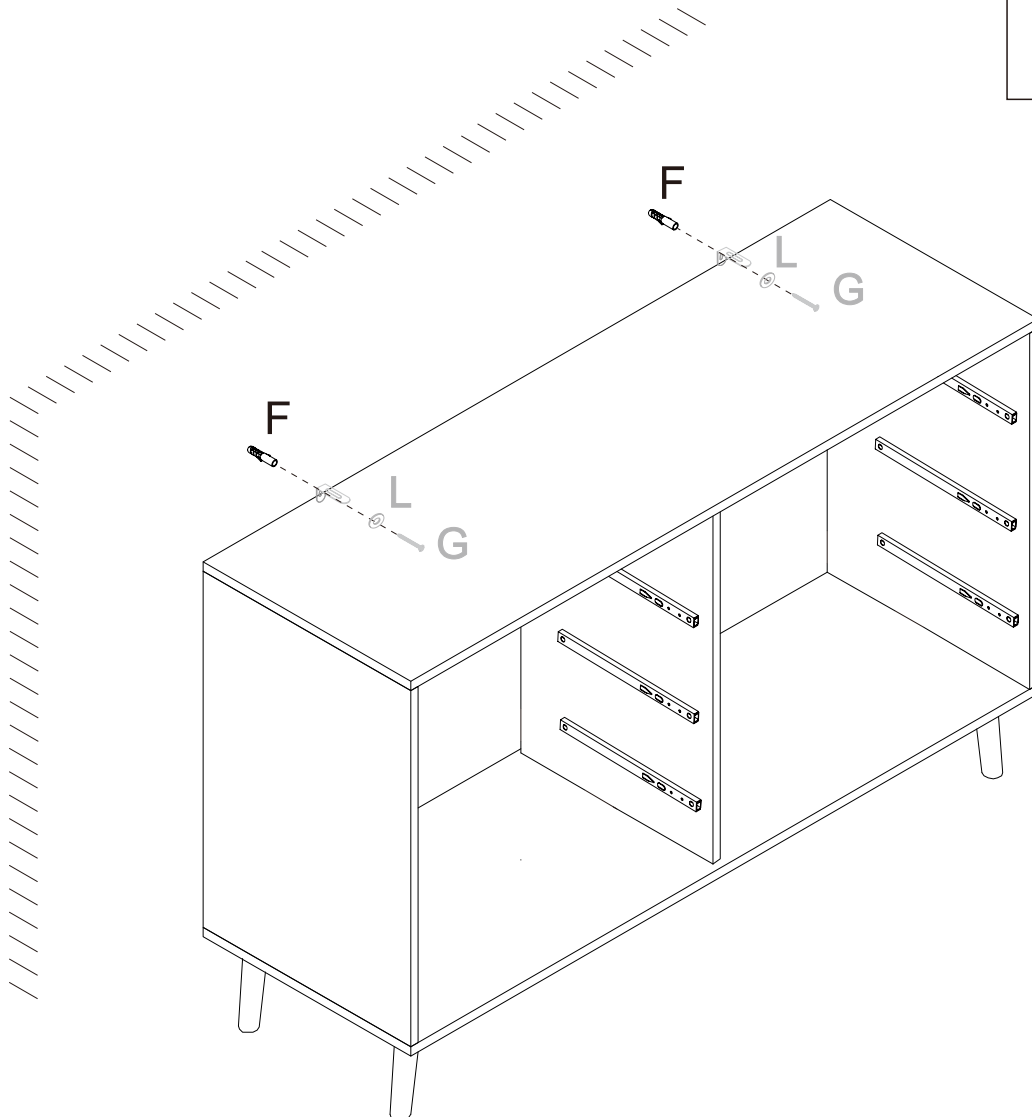


Lock Hardware P at 16 corners of backboard with O.

Product Name:	Light Wood 6-Drawer Bedroom Dresser
SKU #:	WHIF1632

Step 12

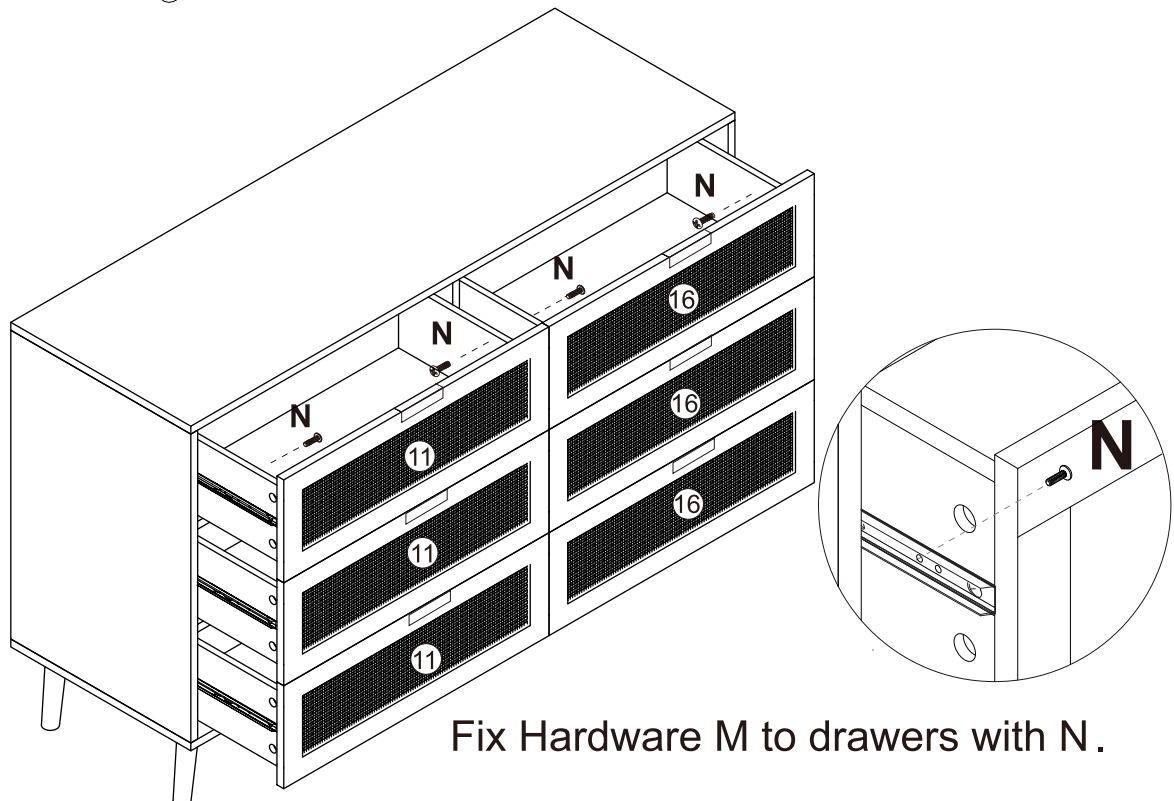
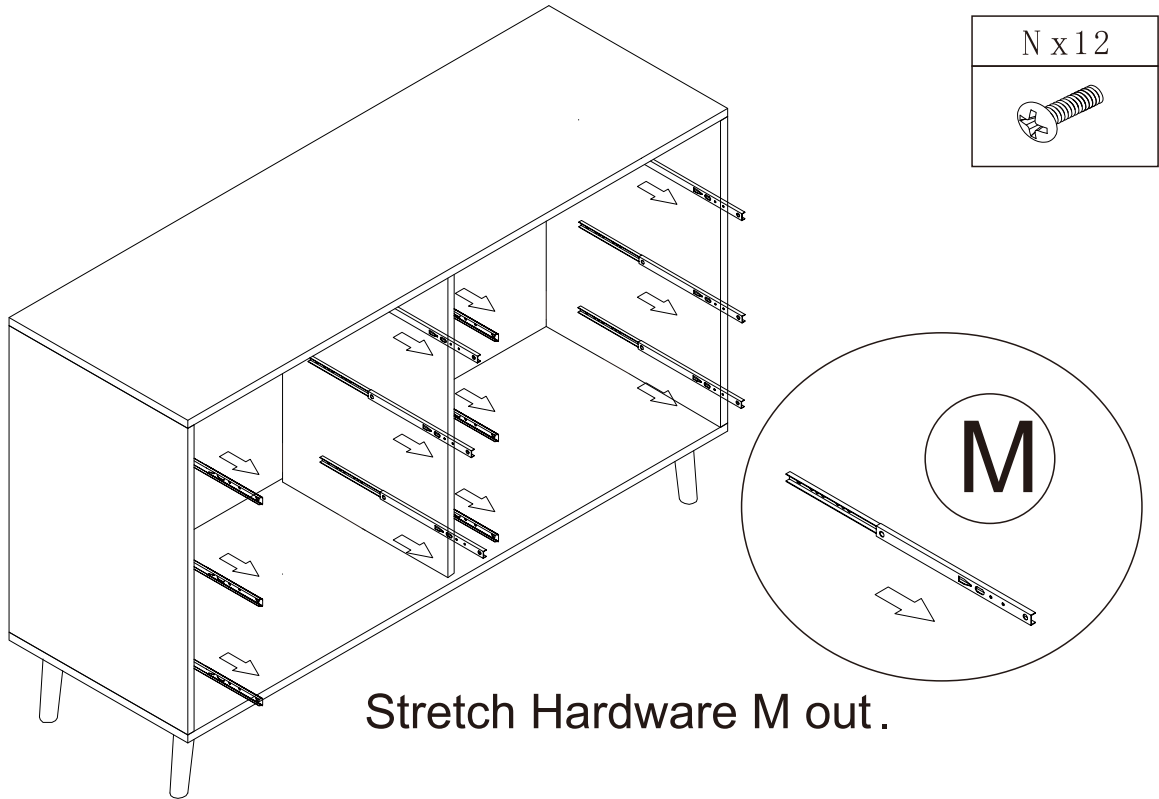
Fx2

Gx2

Lx2




Lock the cabinet to the wall with Hardware F.

Product Name:	Light Wood 6-Drawer Bedroom Dresser
SKU #:	WHIF1632

Step 13



Distinguish between the left and right drawers
 (the left drawer faces are panel 11 and the right drawer faces are panel 16).