

Steambath Generators

Models: TSG-7 and TSG-10



Important: Locate Publication No. 199 "Steam Bath Important Safety Instructions". This publication includes a Warning label that the contractor must install on the wall near the entrance to the steam room in a highly visible location. This label and its additional safety information are packaged with the generator in the envelope containing the installation instructions. If it is lost or missing contact Steamist (201-933-0700) for a replacement Publication No. 199. This publication along with all documents must be left with the owner.

NOTE: A "TSC" series control is required to operate the "TSG" generator.

The Steamist "TSG" Generator operates with only "TSC" series controls mounted inside and an optional TSX or TSR remote control located outside the steamroom. It's small enough in size to be tucked away using very little space in a vanity, closet, or basement, but large enough to provide steam for most residential baths.

The Steamist "TSG" Steambath Generator comes factory assembled, carefully wired and tested.

1. Pre-Installation

- Proper electrical supply (208 or 240 Volt): See rating label on Steam Generator and Chart on page 4. Determine proper size of wire, voltage, amperage, and phase for the Steam Generator. 90°C copper wire is required for generator connection.
- In-line fuse/circuit breaker required: Fuse/circuit breaker to be installed must be sized in accordance with chart on back page. Do NOT install a GFI (Ground Fault Interrupter) to this equipment (per article 210-8 in the National Electric Code).
- Route power supply cable to the location where the Steam Generator will be installed (before walls are closed).

2. Electrical Rough-in

- Route appropriate power cable to the location the Steam Generator will be installed. If receptacle is desired, mount the box for the receptacle near the location of the Steam Generator.

NOTE: The plug and receptacle require a rating of no less than 250V and proper amperage. Refer to chart on page 4 for amperage rating.

After the walls are complete, the Steam Generator and Control can be wired.

3. Steam Generator Electrical Installation

WARNING: All power to the Steam Generator must be turned off.

- Remove the two screws holding the electrical access cover and remove cover.
- Locate the supply line knockout. Mount proper strain relief into knockout hole.

- Strip back power cable's outer insulation jacket eight inches and insert into Steam Generator. Strip back insulation ½" from the three (3) incoming wires (two power and one ground).
- Insert ground wire into grounding lug located on the right side of the electrical compartment and secure.

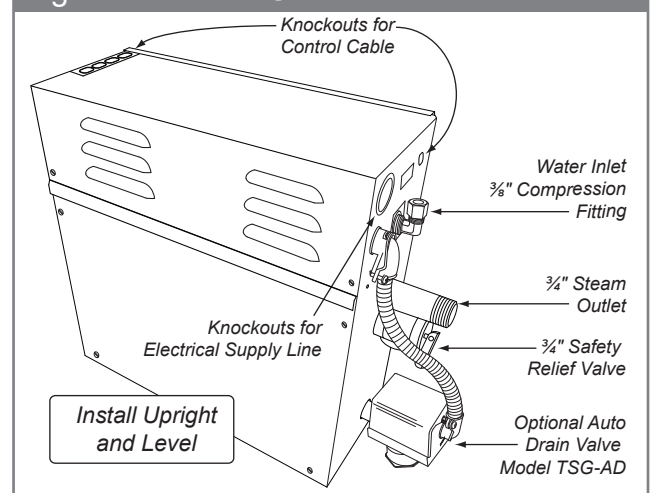
CAUTION: Be sure the ground wire does not come in contact with a live electrical part.

- Locate the terminal block in the upper portion of the electrical compartment. Insert power wires into the power lugs on the front of the terminal block and secure.

4. Optional Auto Drain Valve Connection

- Open knockout for Auto Drain Valve conduit connection.
- Route flexible conduit from valve to knockout and secure.
- Connect two wires from valve to the auto DRAIN connection J11 on the printed circuit board (see Figure 2).

Figure 1 - Steam Generator



IMPORTANT: The warranty of this product is voided if it is used in a commercial application or for anything other than a residential steambath installation. All electrical connections must be performed by a licensed electrician in accordance with Local and National Electric Codes.

5. Ganging Multiple Steam Generators

IMPORTANT: When ganging 2 to 4 steam generators together an additional 3199 steam head and 5370 control cable must be purchased for each additional generator.

a) Locate the Control Cable knockout at top of steam generator. Mount proper strain relief into knockout hole.

b) Route 5370 control cable from any one of the 3 Modular Jacks located on the circuit board to the steam generator to be ganged (see Figure 3).

c) Set DIP Switches on each additional Steam Generator's main PCB as shown in the Gangable Generators chart (see Figure 3).

Checklist

Before starting, insure that the conditions of the following checklist have been met:

- The proper size Steam Generator has been selected by using the sizing page in the "Full Line Brochure," "Pricing Guide," or "The Generator Sizing Guide" in the Residential Systems/Steambath Product Information section of the Steamist website - www.steamist.com.
- CAUTION:** An improperly sized Steam Generator will NOT produce the amount of steam necessary to reach selected temperature.
- The proper voltage Steam Generator has been selected (i.e., 208V or 240V). A 208V Generator operating on 240V will damage the heating element, and a 240V Generator operating on 208V will result in a 25% loss of power.
- The Steam Generator is installed in an upright position.
- The proper sized 90°C copper wire and circuit breaker have been used.
- The circuit breaker is NOT a GFI (Ground Fault Interrupter) type.
- The Steam Generator is properly grounded.
- The circuit breaker or disconnect switch is on.
- Water supply is open to the Steam Generator.

Figure 2 - Internal Electrical Connections

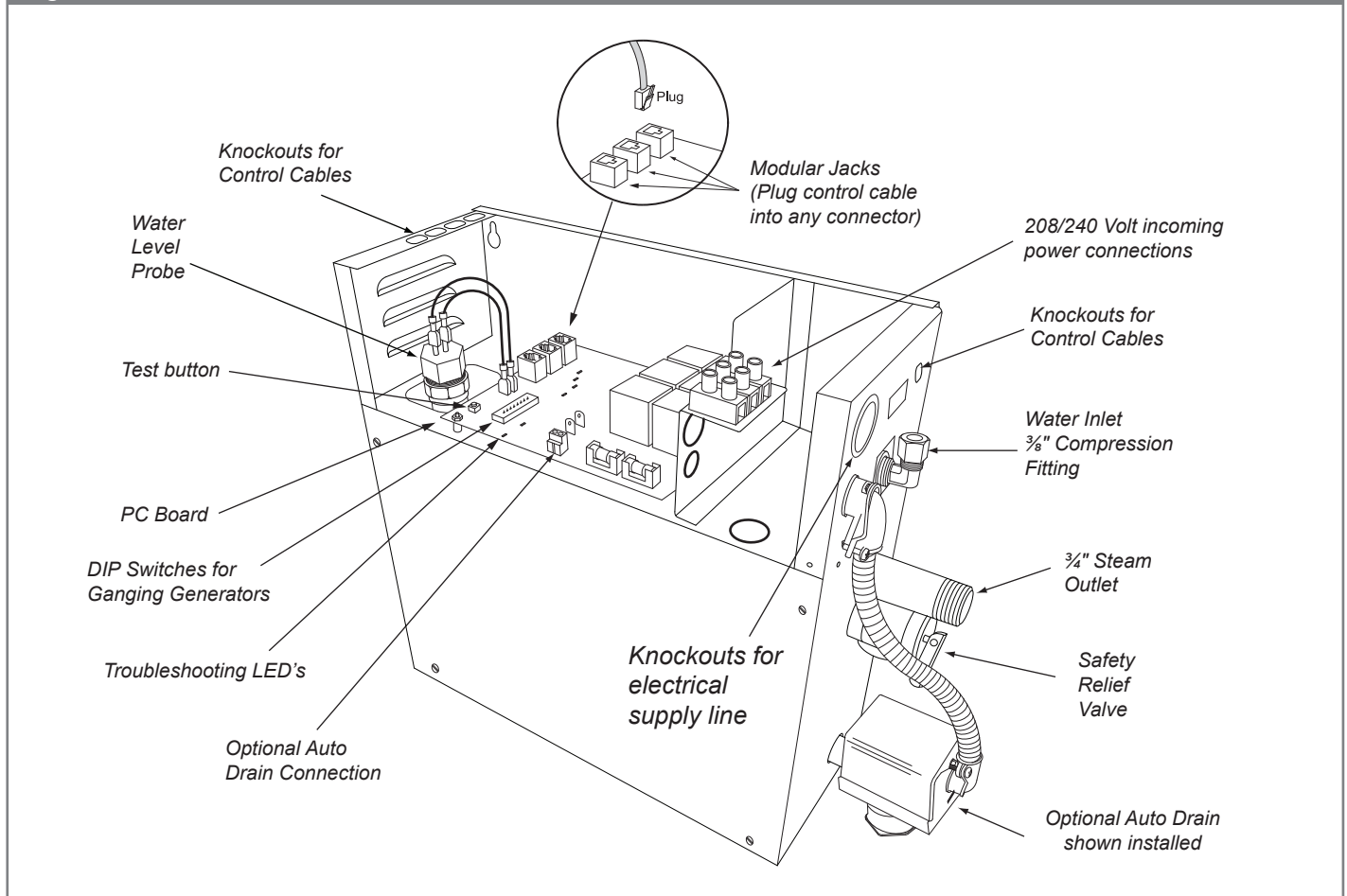


Figure 3 - Ganging Steam Generators (when applicable)

Models: TSG-7 and TSG-10

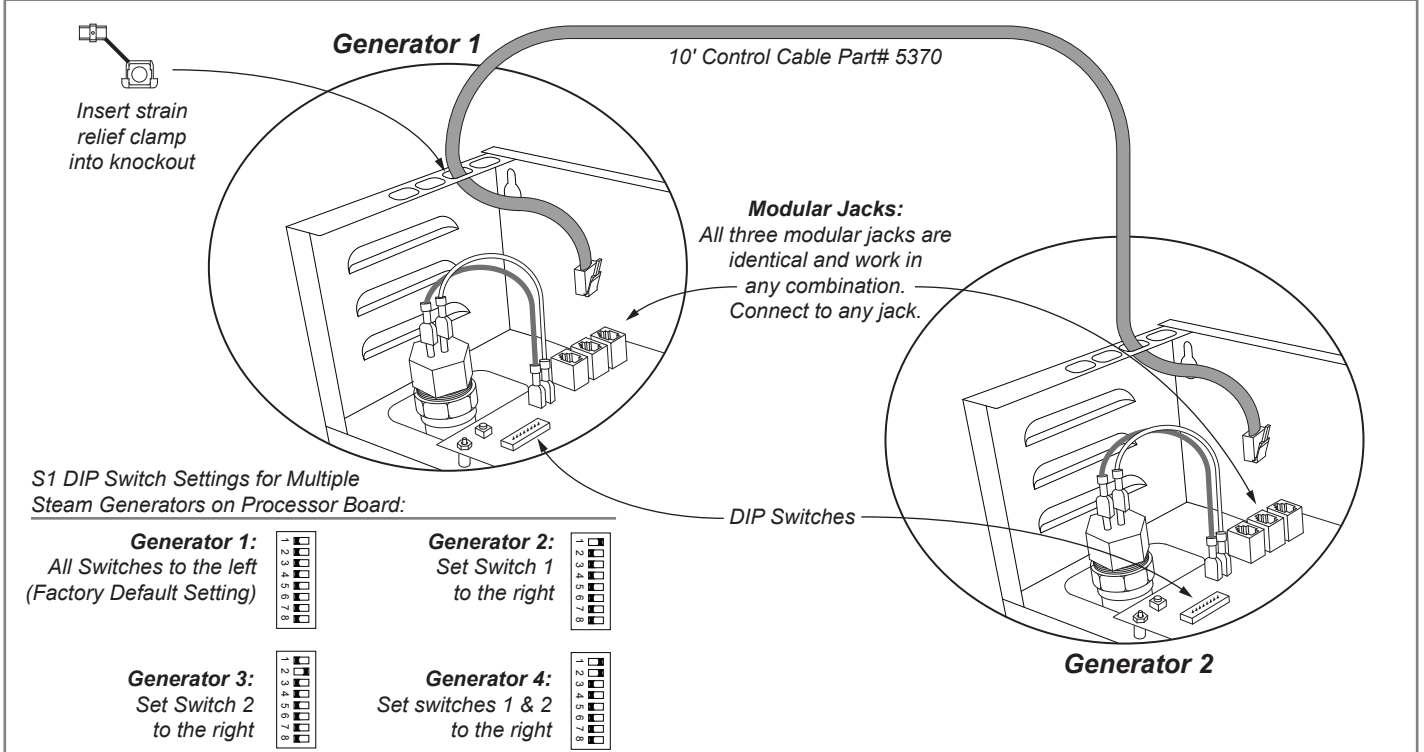
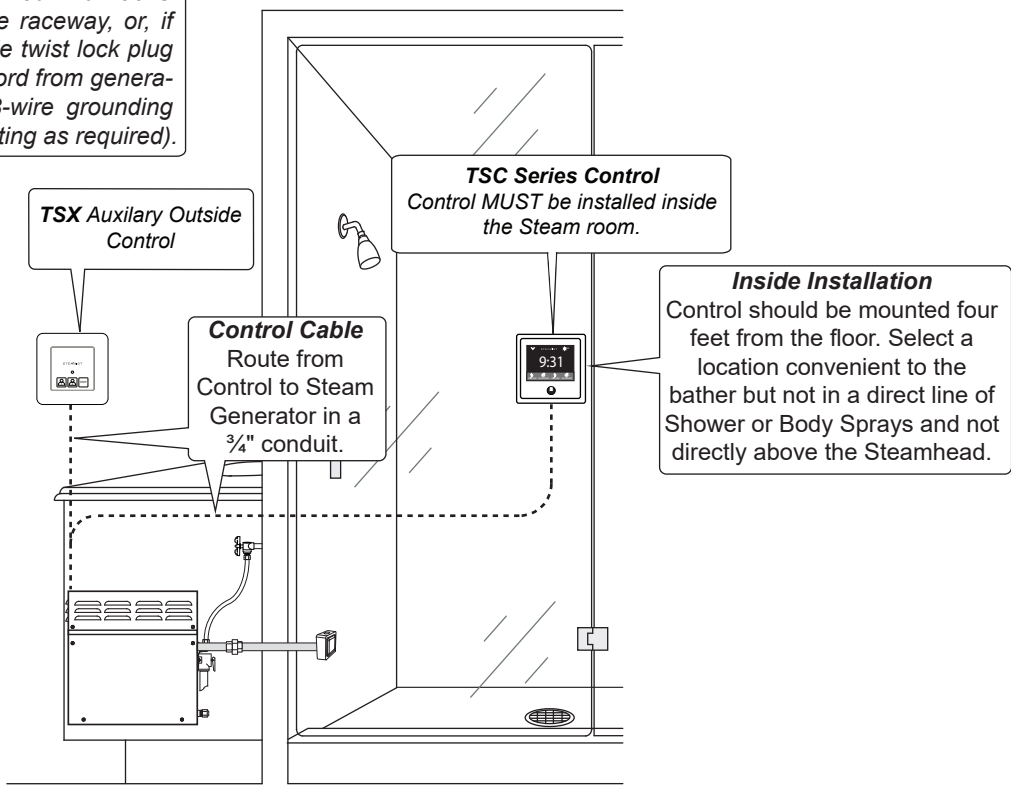


Figure 4 - Typical Installation

The Electrical Instructions must be given to the homeowner for future use.

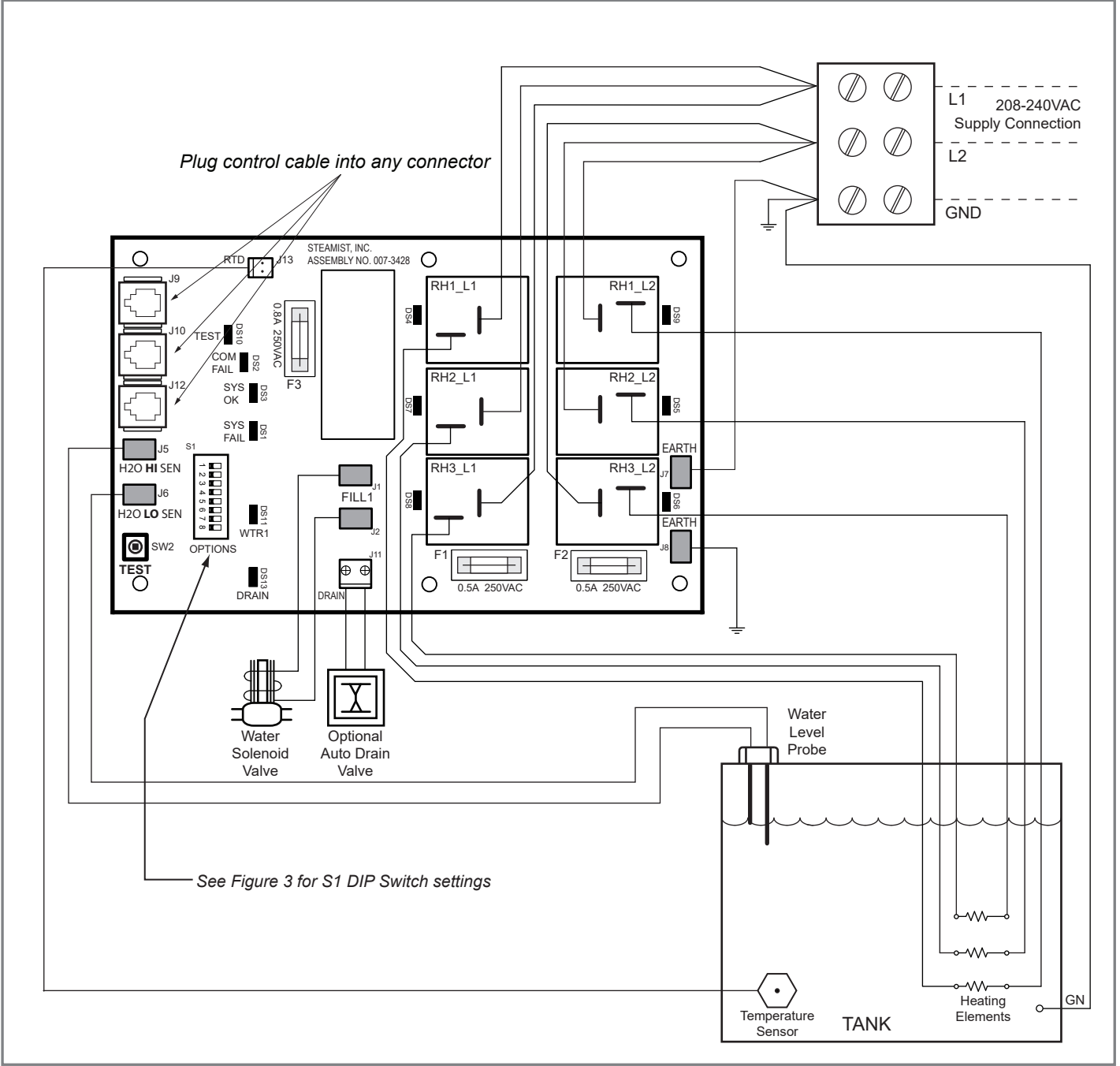
NOTE: Unit must be wired with 90°C copper wire in a suitable raceway, or, if local codes allow, provide twist lock plug on a 90°C copper wire cord from generator to a 250V 2-pole, 3-wire grounding receptacle (ampere rating as required).



IMPORTANT: Run the Control Cable through a 3/4" conduit. Remove protective cap when making the final connection to Control.

Figure 5 - Wiring Diagram

Models: TSG-7 and TSG-10



Specification Chart

Model No.	Max. Cu. Ft. For Area Up To	KW	Volt	Phase	Amps	Breaker Size
TSG-7	250	7.5	240	1	31	40
			208	1	36	50
TSG-10	450	10	240	1	42	50
			208	1	48	60

90°C copper wire is required for generator connection. Installation shall be in accordance with applicable electrical codes.