



TECHNICAL DATA

Application	urban roads, residential roads (internal), surrounding office buildings, parks, pedestrians, bicycle routes
Assembly	on column with $\varnothing 60 \times 50$ mm ending
Colour	inox / black
Ingress protection	IP 66 for the optical part and the driver
Material	anodised aluminium alloy
Operating temperature range	from -40°C to $+55^{\circ}\text{C}$
Expected useful lifetime	L90B10 - 100 000 h
CRI	>70
Inrush current	50A / 210 μs
Input voltage frequency	50/60Hz
Power factor	≥ 0.95
Number of LED	12
Control system	Luminaire has the possibility to connect to an external control system via analog signal 1- 10V.



Code	Symbol	LED power	Luminaire power consumption	LED forward current	Colour temperature (CCT)	LEDs luminous flux ¹	Luminaire luminous flux ¹	Luminous efficacy ¹	Unit volume	Net weight
213330/4/... ²	ISKRA LED ALFA 24	27 W	30 W	760 mA	4000 K	4800 lm	4350 lm	145 lm/W	0.001 m ³	2.5 kg

1) tolerance +/- 7% due to LEDs accuracy

2) symbol of chosen optical system eg. 213330/6/T2 is ISKRA LED ALFA 24 5000K with T2 optical system

DIRECTIVES AND STANDARDS

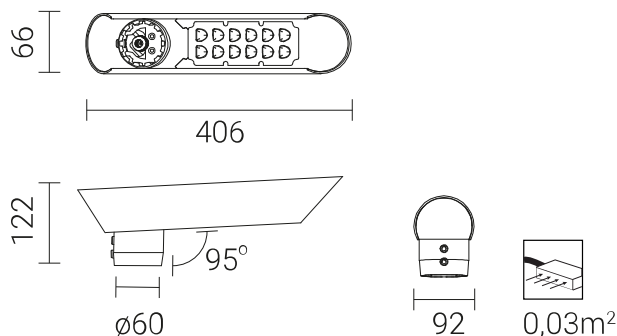
DIRECTIVES: 2014/35/UE (Official Journal of the UE L 96/357 29.03.2014), 2014/30/UE (Official Journal of the UE L 96/79 29.03.2014), 2011/65/UE, 2009/125/EC
STANDARDS: -

CHARGING DISCHARGE FROM THE LED LUMINAIRE HOUSING

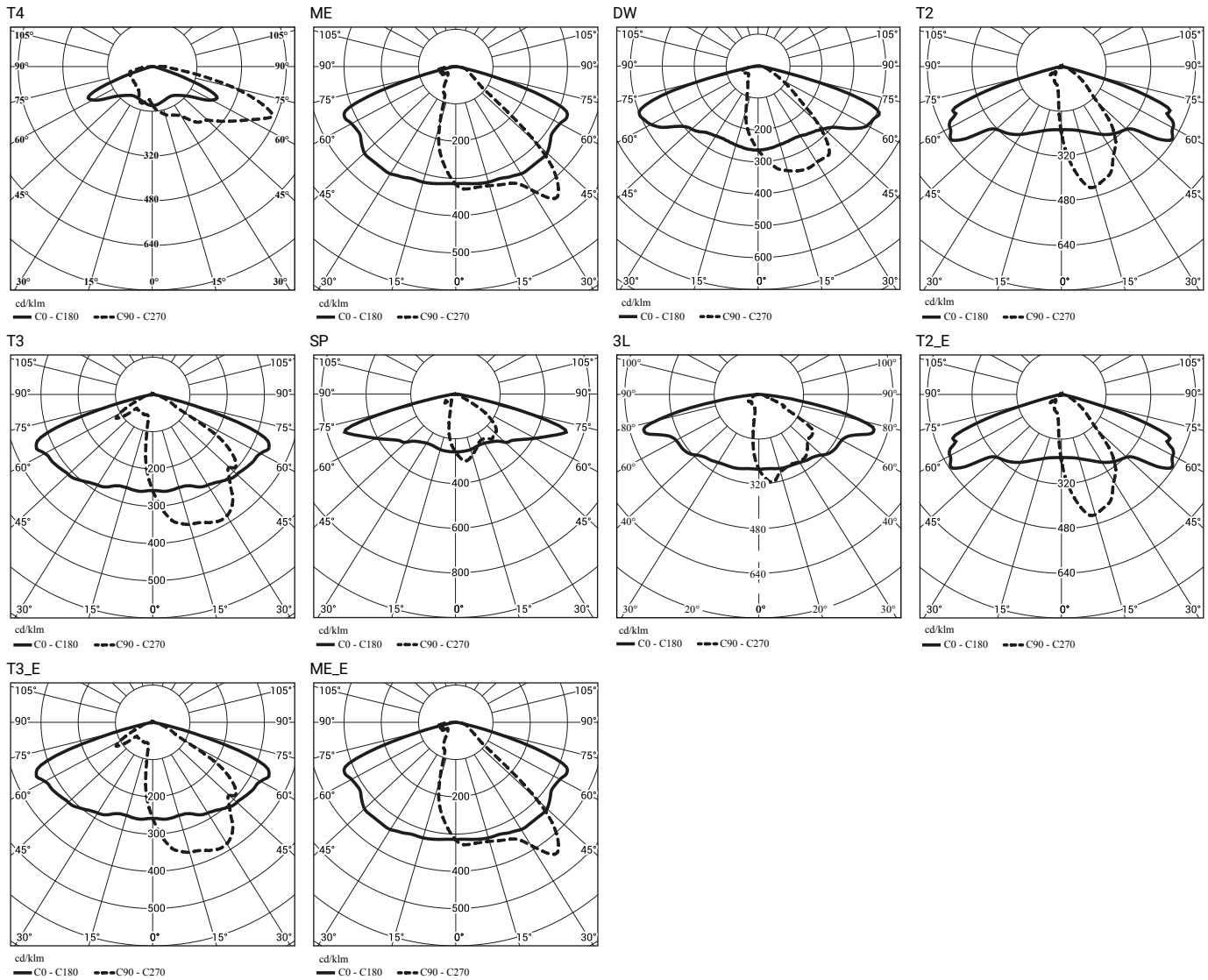
In order to efficient discharge the electrostatic charge from the housing of LED fitting installed on the pole from dielectric material (non-conductive) one of the following solutions is required:

- functional grounding
- LED luminaire with an additional protection device

TECHNICAL DRAWING



PHOTOMETRIC CURVES



POWER SYSTEM FUNCTIONS

The luminaire can optionally be connected to an external control system via the 1-10V interface.

The standard functions of the intelligent power supply system are provided by the ISKRA LED PROG and ISKRA LED ALFA PROG luminaires

ACCETABLE QUANTITY OF LUMINAIRES ON ONE CIRCUIT

Overcurrent switches MCB type B or C

Luminaire	Typ	2A	4A	6A	10A	16A	20A	25A
ISKRA LED ALFA	B	1	3	4	7	12	15	18
	C	1	5	7	12	20	24	31

Fuse – type gG and GL

Luminaire	2A	4A	6A	10A	16A	20A	25A
ISKRA LED ALFA	0	4	8	11	21	29	42