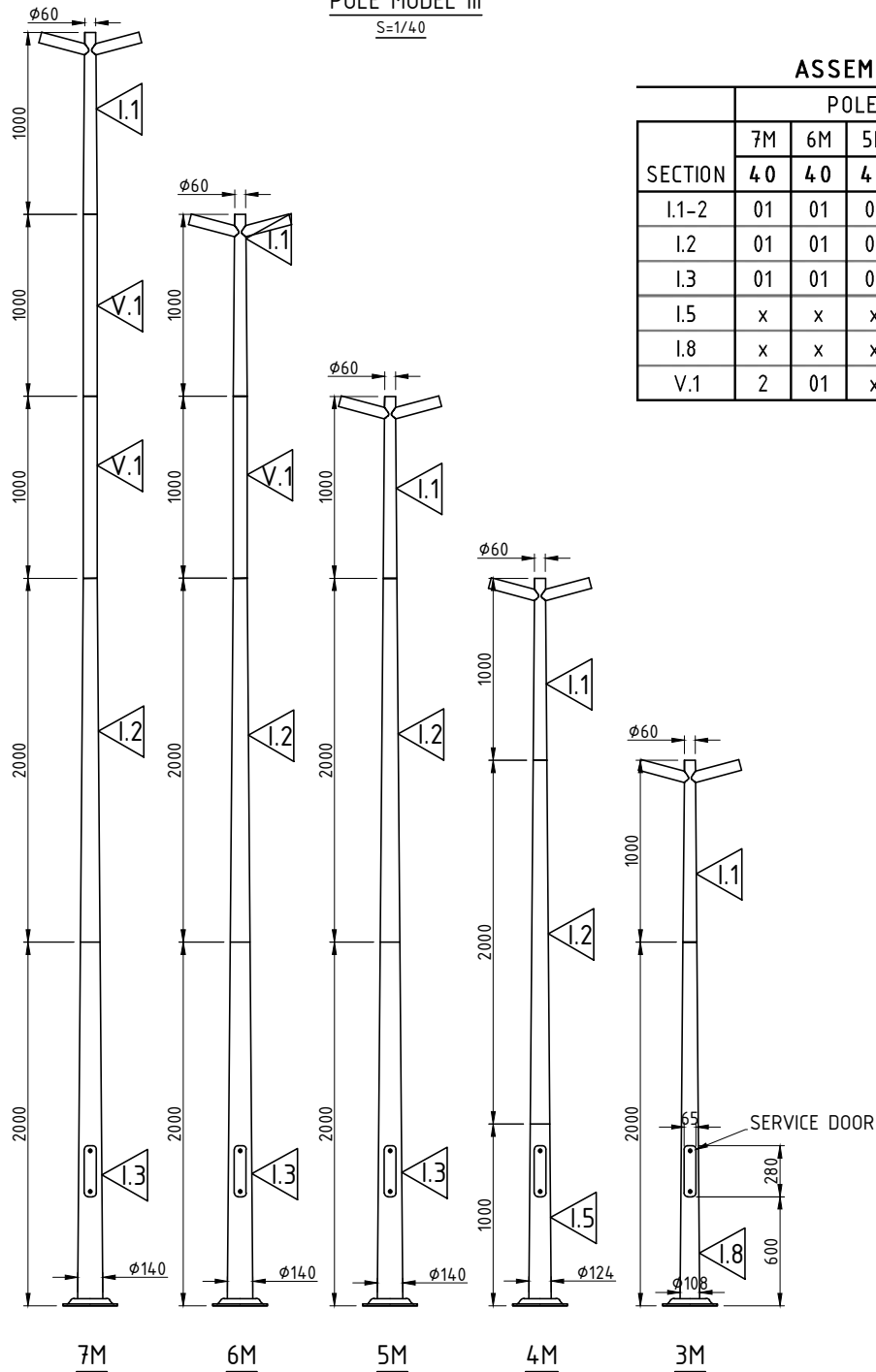


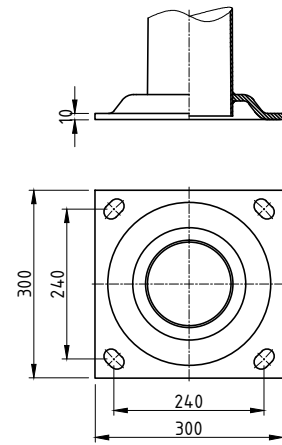
**POLE MODEL III**  
S=1/40



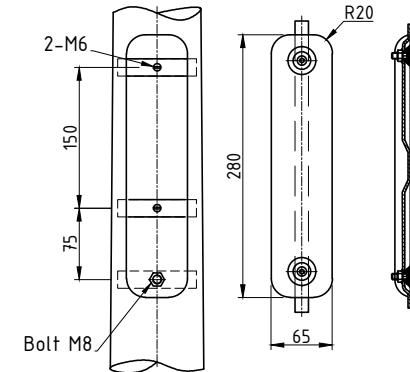
**ASSEMBLY POLE**

SECTION	POLE/WIND LOAD (m/s)					WEIGHT(KG)
	7M	6M	5M	4M	3M	
I.1-2	01	01	01	01	01	7,97
I.2	01	01	01	x	x	15,2
I.3	01	01	01	x	x	27,43
I.5	x	x	x	01	x	17,69
I.8	x	x	x	x	01	22,66
V.1	2	01	x	x	x	6,67

**DETAIL BASE**  
S=1/12



**DETAIL SERVICE DOOR**  
S=1/8



**STANDARD SPECIFICATION:**

1. Design : BS EN:40
2. Material : JIS G3101 SS400
3. Welding : AWS D1.1
4. Hot dip galvanizing : ASTM A123

		POLE MODEL I			
4					FILE No:
3					INST DWG SIGN
2					DWG SIGN
1					
No	SIGNATURE	DATE	GENERAL DRAWING		
APPROVED BY			MATERIAL		DRAWING No: I/1
R&D CENTER			Q'TY	WEIGHT	SCALE
CHECKED BY					TOTAL OF DWG:
DESIGNED BY					AS-SHOWN