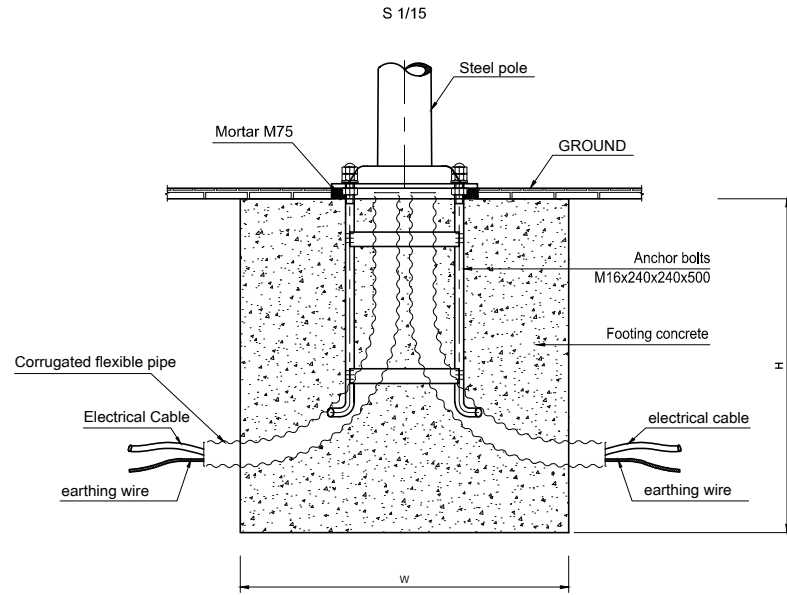
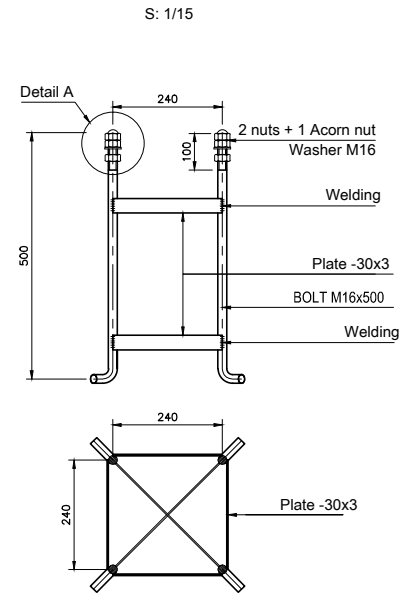


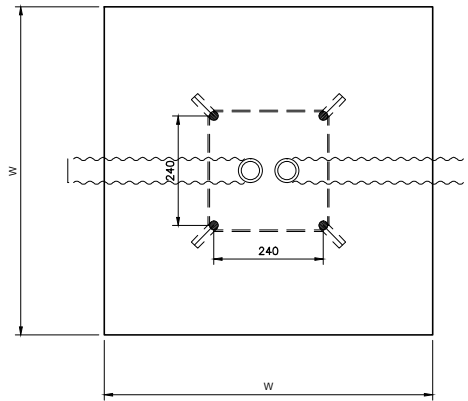
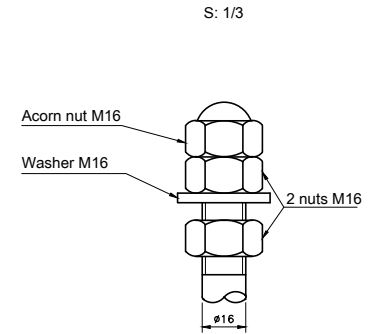
# TYPICAL LIGHTING POLE FOUNDATIONS



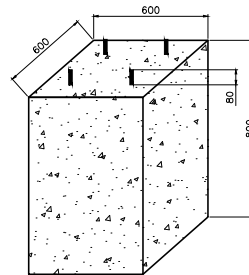
# ANCHOR BOLTS



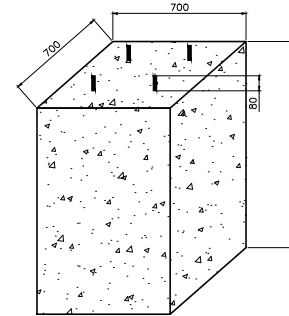
# DETAIL A



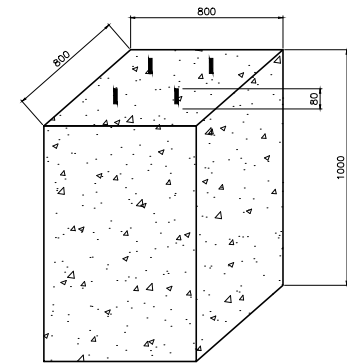
## 3.0-4.0M



## 5.0-6.0M



## 7.0M



# DIMENSIONS REFERENCE POLE FOUNDATIONS