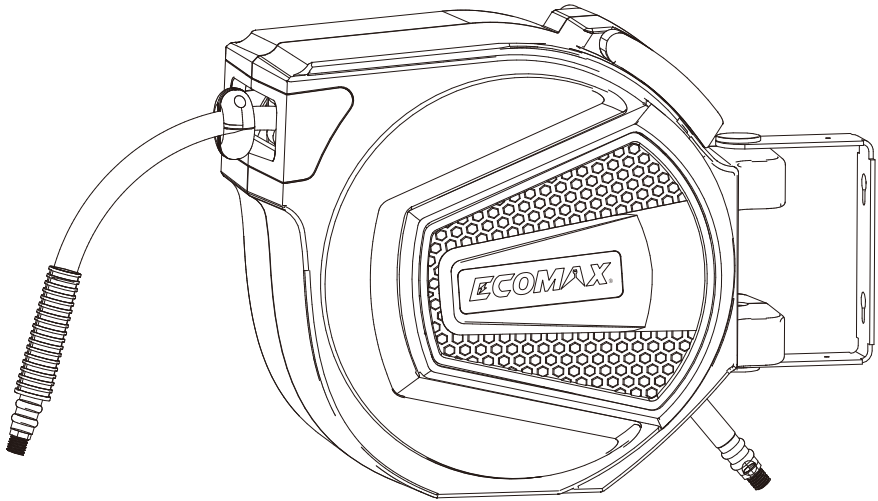




# 50FT RETRACTABLE AIR HOSE REEL INSTRUCTION MANUAL

*Model: ELG08*



**WARNING:** Read carefully and understand all INSTRUCTIONS before operating. Failure to follow the safety rules and other basic safety precautions may result in serious personal injury. Save this instructions in a safe place and on hand so that they can be read when required.

# CONTENTS

FEATURES ----- 01

SCOPE OF DELIVERY ----- 01

GENERAL SAFETY INSTRUCTIONS ----- 02

INSTALLATION ----- 03

OPERATION ----- 04

TROUBLESHOOTING ----- 06

CLEANING AND MAINTENANCE ----- 07

WARRANTY ----- 08

## FEATURES

- ① Wall Mounting Bracket
- ② Carry Handle
- ③ Hose Reel Housing
- ④ Hose Stop
- ⑤ Outlet Hose
- ⑥ Brass Fitting
- ⑦ Inlet Hose

## SCOPE OF DELIVERY

- 1x Retractable Air Hose 15m
- 1x Wall Mounting Bracket
- 2x Screws & Wall Plugs
- 2x Anchoring
- 1x Instruction Manual



## GENERAL SAFETY INSTRUCTIONS



**WARNING!** Read the entire user manual carefully.

Understand and follow all safety instructions before operating the hose. Failure to follow the warnings and instructions may result in serious injury.

Save all warnings and instructions for future reference.

Please save this instruction manual.

Please ensure you give this instruction manual to the next person that uses this product.

- Do not allow the hose(5) to retract unassisted. This may damage the hose reel(3) and brass fitting(6). Always walk the hose(5) back to the hose reel(3) at a steady pace.
- Do not open the hose reel housing(3). The internal spring mechanism is held under tension and is dangerous if released. If leaking or retraction problems occur, please contact the after sales support for advice and assistance.
- Do not leave air turned on with the hose under pressure when not in use.
- Do not place force on the hose reel housing(3). Doing so may damage the housing (3) or the wall mounting bracket(1).
- Children should not be allowed to operate or play with the retractable air hose.
- Ensure children are clear of the hose(5) and hose reel housing(3) when unwinding and rewinding.

## GENERAL SAFETY INSTRUCTIONS (CONT.)

- Regularly inspect the wall mounting bracket (1) for signs of wear.
- Always turn the air off at the source of air compressor when the retractable air hose is not in use, and when unwinding or winding the hose(5) on the reel.
- Always turn the air off at the source of air compressor when the retractable air hose is not in use, and when unwinding or winding the hose(5) on the reel.
- Do not allow the hose (5) to be exposed to very high or very low temperatures for prolonged periods of time. High temperatures can damage the hose causing it to split, and low temperatures can cause the hose to lose flexibility making it difficult to retract.
- Do not submerge the hose reel housing(3) into water to clean it. Keep the hose reel housing(3) and hose(5) clean by wiping it with a damp cloth when fully extended.

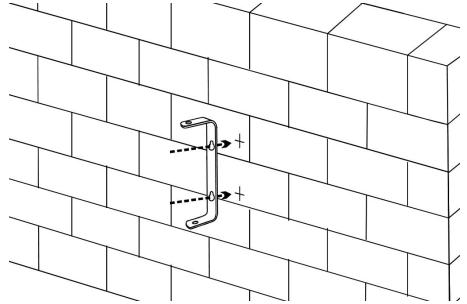
- When not in use for extended periods, it is best to store the hose reel in a garage or shed.
- When the hose (5) is extended to such a length that the warning indicator can be seen (approx.1 meter from the end of the hose), do not pull the hose (5) with any excessive force as this can damage the internal connection to the reel.
- Do not try to force the direction of which the hose (5) is retracting. Instead, allow the self layering mechanism to feed the hose(5) slowly onto the reel automatically.
- If the hose(5) accidentally drops and retracts itself, it is strongly recommended that you extend the hose(5) to its full length and then permit to retract smoothly as you walk it back to the hose reel housing(3). This will allow the self-layering mechanism to layer the hose correctly on to the reel.
- Carry the hose reel housing(3) using the built -in carry handle(2).
- Carry the hose reel housing(3) using the built -in carry handle(2).

### Assembly & Installation Tools Required for Assembly (Not supplied):

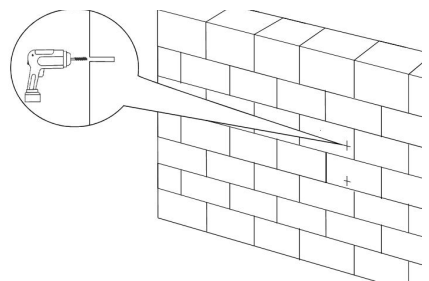
- 1xCordless Drill with 8mm Drill Bit
- 1xHammer
- 1xCarpenter's Pencil
- 1xSocket set(10mm)

## INSTALLATION

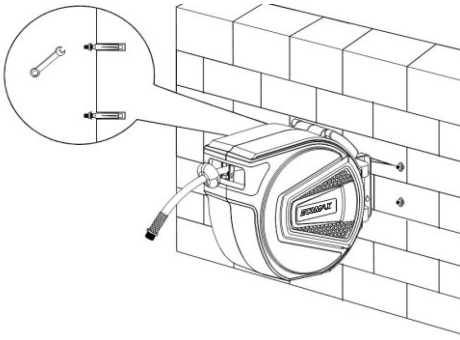
Choose a suitable position on your wall. Mark 2 holes to correspond with the positions of the holes in the wall bracket.



Drill 2 holes, ensure the holes size is suitable for the expansion screw included.



Insert the expansion screw into the wall. Use a wrench to fix the bracket onto the wall with the bolts provided.



**IMPORTANT!** The wall mounting bracket (1) must be mounted to a strong surface. due to the weight of the hose reel and the pulling action during use. Brick or timber post surfaces are suitable .

**NOTE:** The supplied  $\phi$  6x63mm screws and  $\phi$  10x43mm plugs,  $\phi$  8x60mm anchoring are suitable for masonry anchoring. If you wish a mount the hose reel housing (3) to a wooden pole. use only the supplied  $\phi$  6x63mm screws.

## OPERATION



When you finished using. turn off the air at the source of air and release the pressure prior to retracting the hose.

1. Those reel has been equipped with a click-clock mechanism. To operate. pull the hose(5) out to the desired length, and when you stop the pulling the hose(5) will automatically stop.

**WARNING:** When the hose is extended to such a length that the warning indicator can be seen (approx.1 meter from the end of the hose). do not pull the hose with any excessive force as this can damage the inter connection to the reel.

2. To start using turn on the air at the source of air.

3. When you have finished using, turn off the air at the source of air and release the pressure in the hose(5) prior to retracting the hose(5).

4. To engage the automatic hose recoil, give the hose (5) a short sharp pull and you will feel the hose(5) automatically retract. You can interrupt this process by pulling the hose(5) again.

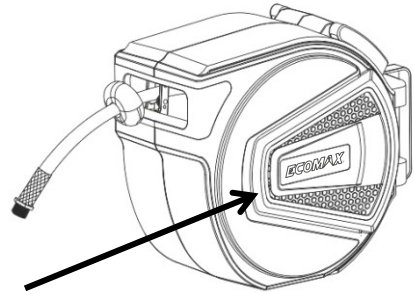
**NOTE:** In order to retract the hose (5) safely, ensure you keep hold of the end of the hose(5) while walking towards the hose reel housing(3). Do not let go of the hose (5). Letting go of the hose(5) may result in personal injury.

**WARNING:** Do not try to force the direction of which the hose (5) is retracting instead, allow the self-layering mechanism to feed the hose (5) slowly into the hose reel housing(3).

**WARNING:** if the hose (5) accidentally drops and retracts itself, it is strongly recommended that you extend the hose (5) to its full length and then permit it to retract smoothly as you walk it back to the hose reel housing(3). This will allow the self-layering mechanism to layer the hose (5) correctly into the reel.



**WARNING:** Do not open the hose reel housing(3) at will. It is very dangerous and can cause personal injury. See below picture.



**Don't Open!**

# TROUBLESHOOTING

PROBLEM	SOLUTION
<p><b>Hose(5) will not retract the entire length.</b></p>	<ol style="list-style-type: none"> <li>1. Turn off the air and pull the hose (5) out completely.</li> <li>2. Release the excess pressure.</li> <li>3. Slowly retract the hose (5) back into the reel.</li> <li>4. Check for physical damage (e.g. reel making a clunking noise, visible cracks in side cover, hose reel box smashed, etc)</li> </ol>
<p><b>Hose (5) is stuck and cannot be retracted or extended.</b></p>	<ol style="list-style-type: none"> <li>1. Pull the hose (5) until fully extended. This may require a lot of pulling force.</li> <li>2. Check to see if the hose (5) has come off the drum. If so, please contact After Sales Support.</li> </ol>
<p><b>Hose (5) is difficult to pullout</b></p>	<p>Is the hose reel mounted high enough? The hose reel should be mounted at a height that is parallel to the user. If the hose reel is mounted too low, the hose(5) may rub on the aperture making it harder to pull out.</p>
<p><b>Wall mounting bracket(1) is coming off the wall.</b></p>	<ol style="list-style-type: none"> <li>1. Check that the wall mounting bracket (1) has been installed the right way up.</li> <li>2. Check that all 2 screws are secured to the wall.</li> <li>3. Send a photo to After Sales Support email.</li> </ol>
<p><b>Hose (5) is kinking.</b></p>	<ol style="list-style-type: none"> <li>1. Ensure the hose reel is mounted high enough, if too low the hose(5) can rub on the aperture and cause kinks.</li> <li>2. Always walk the hose (5) out as needed, do not stand at the hose reel and pull the hose (5) out and allow it to pool at your feet because a kink can occur when you then walk it out</li> <li>3. Ensure the hose reel is mounted on a wall so it can swivel freely 180°.</li> </ol>



## CLEANING AND MAINTENANCE

Do not allow the hose (5) to be exposed to very high or very low temperatures for prolonged periods of time. High temperatures can damage the hose causing it to split, and low temperatures can cause the hose to lose flexibility making it difficult to retract.

Do not submerge the hose reel housing(3) into water to clean it .Keep the hose reel housing(3) and hose(5) clean by wiping it with a damp cloth when fully extended.

When not in use for extended periods, it is best to store the hose reel in a garage or shed.

# WARRANTY

## ALTON INDUSTRY LTD. GROUP 2-YEAR LIMITED WARRANTY

This warranty covers any defects in materials or workmanship of the enclosed product. Alton Industry Ltd. Group will repair or replace any defective materials due to craftsmanship of the product. This warranty does not cover any problem caused by misuse, abuse, accidents or acts of God, such as floods or hurricanes. Consequential and incidental damages are not covered under this warranty. Coverage terminates if you sell or otherwise transfer the ownership. If you feel you have a defective product, please submit a copy of your receipt to the address below and call 1-888-899-0146 for instructions prior returning this item to the store or sending back to:

Alton Industry Ltd. Group  
643 Innovation Drive  
West Chicago, IL 60185

We will inspect the product and contact you within 72 hours to give you the results of our inspection. We reserve the right to repair or replace the product at our discretion. However, we may replace the product with one of similar but not exact features. **Parts and Service Information available call Alton Industry at 1-888-899-0146.** This warranty gives you specific legal rights. You may have other rights which vary from state to state.

# ALTON INDUSTRY LTD. GROUP

📍 643 Innovation Drive West Chicago, IL 60185

🌐 <https://www.altonindustries.com>

✉ [info@altonindustries.com](mailto:info@altonindustries.com)



MADE IN CHINA

---