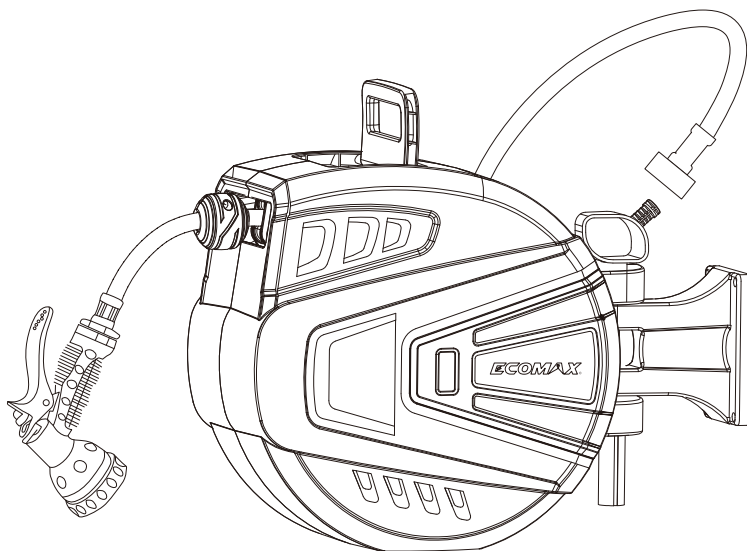




100FT RETRACTABLE GARDEN HOSE REEL INSTRUCTION MANUAL

Model:ELG01



WARNING: Read carefully and understand all INSTRUCTIONS before operating. Failure to follow the safety rules and other basic safety precautions may result in serious personal injury. Save this instructions in a safe place and on hand so that they can be read when required.

CONTENTS

FEATURES ----- 01

INSTALLING INSTRUCTIONS ----- 02

INTENDED USE AND DESCRIPTION OF SYMBOLS ----- 03

GENERAL SAFETY INSTRUCTIONS ----- 04

OPERATION ----- 06

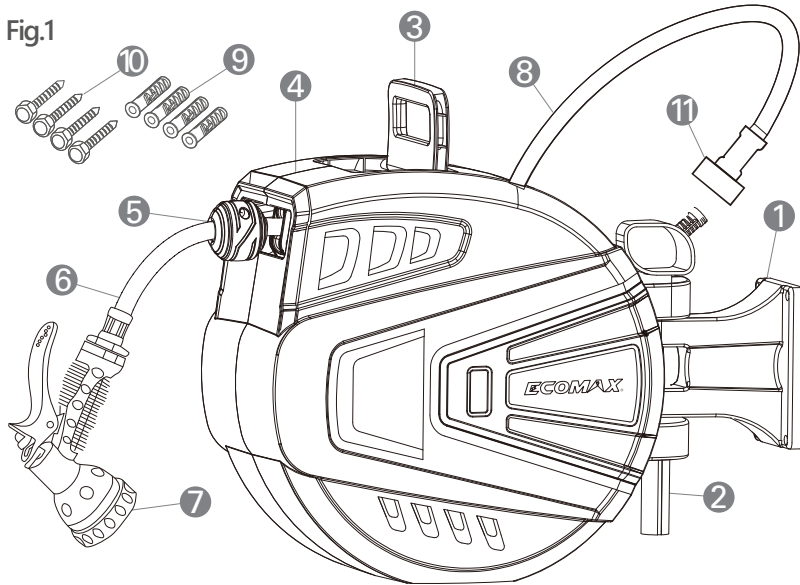
TROUBLE SHOOTING ----- 07

CLEANING AND MAINTENANCE ----- 08

WARRANTY ----- 09

FEATURES

- ① Wall Mount Bracket
- ② Securing Pin
- ③ Carry Handle
- ④ Main Housing
- ⑤ Stop Ball
- ⑥ 100ft Hose
- ⑦ Spray Nozzle
- ⑧ 6.6ft Inlet Hose
- ⑨ 4x Wallplugs
- ⑩ 4x Coach Bolts
- ⑪ Copper Tap Adapter



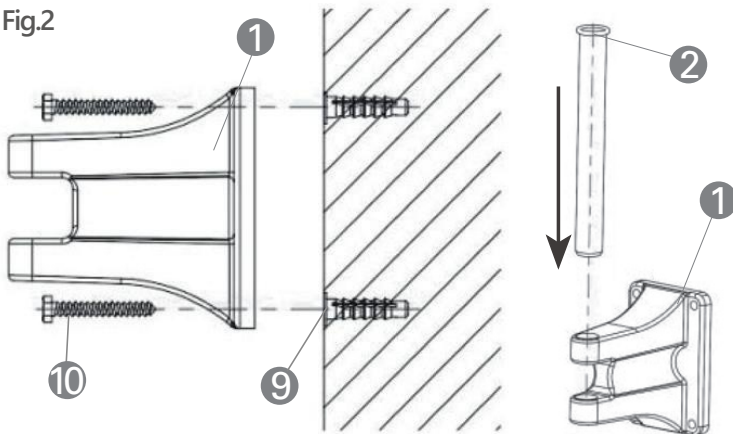
INSTALLING THE HOSE REEL

1. Select a suitable position to mount your hose. Choose a wall in good condition (preferably out of direct sunlight for most of the day*). mount the reel approximately at waist height close to a tap. Offer up the wall mount bracket(1) against the wall and mark the location for the 4 holes to be drilled. For best results, use a spirit level, align the hole marks horizontally. Drill the holes with a 15/32 (12mm) drill bit and insert the wall plugs (9). Screw the bracket to the wall with the coach bolts (10),see Fig. 2 opposite.

2. Align the holes on the back of the reel with the holes in the bracket and insert the securing pin(2) to mount the reel on the bracket.

3. Attach the inlet hose to the tap using the universal tap adapter, check that when connected the reel will still swivel freely through 180°

Fig.2



INTENDED USE

This 30m Retractable Garden Hose is manufactured with a high quality hose. The slow automatic rewind function allows greater control when retracting the hose. The retractable garden hose has a wall mountable bracket that allows for a full 180° range of motion, and the ability to lock the hose at any length to ensure the hose remains in place as you water. When installed and used correctly, this product should provide you years of good service.

The 30m Retractable Garden Hose is designed for home water applications using cold water only. Please note that this 30m Retractable Garden Hose has not been designed for use in commercial, trade or industrial applications.

This appliance is to be used only for its prescribed purpose. Any other use is deemed to be a case of misuse. The user/operator, and not the manufacturer, shall be liable for any damage or injury resulting from such cases of misuse or by using the hose for any task other than its intended purpose.

The manufacturer shall not be liable for any unauthorised changes made to this product, nor for any damage resulting from such changes.

Please read and familiarise yourself with this user manual before using this 30m Retractable Garden Hose.

DESCRIPTION OF SYMBOLS

The rating plate on the product and in this user manual may show the following symbols. These represent important information about the product or instructions on its use.



Read and understand user manual before using this product.



Denotes risk of personal injury, loss of life or damage to the tool in case of non-observance of the instructions in this manual.



Non-potable water.

GENERAL SAFETY INSTRUCTIONS



WARNING! Read the entire user manual carefully. Understand and

follow all safety instructions before operating the hose. Failure to follow the warnings and instructions may result in serious injury.

Save all warnings and instructions for future reference.

Please save this instruction manual. Please ensure you give this instruction manual to the next person that uses this product.

- Do not allow the hose (6) to retract unassisted. This may damage the hose reel (4) and spray nozzle fitting (8). Always walk the hose (6) back to the hose reel (4) at a steady pace.
- Do not open the hose reel housing (4). The internal spring mechanism is held under tension and is dangerous if released. If leaking or retraction problems occur, please contact the after sales support for advice and assistance.
- Do not leave water turned on with the hose under pressure when not in use.
- Always turn the water off and release air pressure from the hose after use.
- Only cold water must be used with the hose reel.
- Do not place force on the hose reel housing (4). Doing so may damage the housing (4) or the wall mounting bracket (1).
- Children should not be allowed to operate or play with the retractable garden hose
- Ensure children are clear of the hose (6) and hose reel housing (4) when unwinding and rewinding.

GENERAL SAFETY INSTRUCTIONS (CONT.)

- Always turn the water off at the tap when the retractable garden hose is not in use, and when unwinding or winding the hose (6) on the reel.
- After use, turn off the tap and release the water pressure from the hose before retracting the hose (6) back to the reel.
- Do not allow the hose (6) to be exposed to very high or very low temperatures for prolonged periods of time. High temperatures can damage the hose causing it to split, and low temperatures can cause the hose to lose flexibility making it difficult to retract.
- Do not use any chemicals or substances with this hose (6) such as acetone, white spirits, lactic acid, etc. Use of these chemicals will damage the hose and void the warranty.
- Do not submerge the hose reel housing (4) into water to clean it. Keep the hose reel housing (4) and hose (6) clean by wiping it with a damp cloth when fully extended.
- Mount the hose reel housing (4) in a sheltered and shaded location in order to prolong the life expectancy and to ensure a maximum period of trouble-free service.
- When not in use for extended periods, it is best to store the hose reel in a garage or shed.
- When you have finished watering, turn off the water at the tap and release the pressure prior to retracting the hose. **IMPORTANT!** Please check with your local government body or local water provider for any active water restrictions in your area.
- When the hose (6) is extended to such a length that the warning indicator can be seen (approx. 1 metre from the end of the hose), do not pull the hose (6) with any excessive force as this can damage the internal connection to the reel.
- Do not try to force the direction of which the hose (6) is retracting. Instead, allow the self layering mechanism to feed the hose (6) slowly onto the reel automatically.
- If the hose (6) accidentally drops and retracts itself, it is strongly recommended that you extend the hose (6) to its full length and then permit it to retract smoothly as you walk it back to the hose reel housing(4). This will allow the self-layering mechanism to layer the hose correctly on to the reel.
- Carry the hose reel housing (4) using the built-in carry handle (3).

OPERATION



When you have finished watering, turn off the water at the tap and release the pressure prior to retracting the hose. **IMPORTANT!** Please check with your local government body or local water provider for any active water restrictions in your area.

1. The hose reel has been equipped with a click-lock mechanism. To operate, pull the hose (6) out to the desired length, and when you stop pulling, the hose (6) will automatically stop.

WARNING: When the hose is extended to such a length that the warning indicator can be seen (approx. 1 metre from the end of the hose), do not pull the hose with any excessive force as this can damage the internal connection to the reel.

2. To start watering, turn on the water at the tap.

3. When you have finished watering, turn off the water at the tap and release the pressure in the hose (6) prior to retracting the hose (6).

4. To engage the automatic hose recoil, give the hose (6) a short sharp pull and you will feel the hose (6) automatically retract. You can interrupt this process by pulling the hose (6) again.

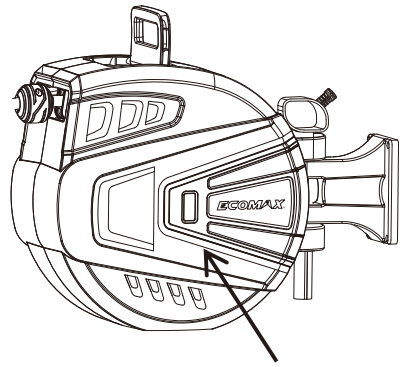
NOTE: In order to retract the hose (6) safely, ensure you keep hold of the end of the hose (6) while walking towards the hose reel housing (4). Do not let go of the hose (6). Letting go of the hose (6) may result in personal injury.

WARNING: Do not try to force the direction of which the hose (6) is retracting. Instead, allow the self layering mechanism to feed the hose (6) slowly into the hose reel housing (4).

WARNING: If the hose (6) accidentally drops and retracts itself, it is strongly recommended that you extend the hose (6) to its full length and then permit it to retract smoothly as you walk it back to the hose reel housing (4). This will allow the self-layering mechanism to layer the hose (6) correctly into the reel.



WARNING: Do not open the hose reel housing (6) at will. It is very dangerous and can cause personal injury. See below picture.



Don't Open!

TROUBLE SHOOTING

PROBLEM	SOLUTION
<p>Hose (6) will not retract the entire length.</p>	<ol style="list-style-type: none"> 1. Turn off tap and pull the hose (6) out completely. 2. Remove the spray nozzle fitting (8) to release excess pressure. 3. Slowly retract the hose (6) back into the reel. 4. Check for physical damage (e.g. reel making a clunking noise, visible cracks inside cover, hose reel box smashed, etc)
<p>Hose (6) is stuck and cannot be retracted or extended.</p>	<ol style="list-style-type: none"> 1. Pull the hose (6) until fully extended. This may require a lot of pulling force. 2. Check to see if the hose (6) has come off the drum. If so, please contract After Sales Support.
<p>Hose (6) is difficult to pull out.</p>	<p>Is the hose reel mounted high enough? The hose reel should be mounted at a height that is parallel to the user. If the hose reel is mounted too low, the hose (6) may rub on the aperture making it harder to pull out.</p>
<p>Wall mounting bracket(1) is coming off the wall.</p>	<ol style="list-style-type: none"> 1. Check that the wall mounting bracket (1) has been installed the right way up. The arrow on the wall mounting bracket (1) must be facing in the upwards direction. 2. Check that all 4 screws are secured to the wall. 3. Send a photo to After Sales Support email.
<p>Hose (6) is kinking.</p>	<ol style="list-style-type: none"> 1. Ensure the hose reel is mounted high enough, if too low the hose (6) can rub on the aperture and cause kinks. 2. Always walk the hose (6) out as needed, do not stand at the hose reel and pull the hose (6) out and allow it to pool at your feet because a kink can occur when you then walk it out.
<p>Water pressure greatly reduced.</p>	<ol style="list-style-type: none"> 1. This product is not suitable for use with very low water pressure. 2. Check pressure when spray gun(7) is detached. 3. Fully extend hose (6), inspect for kinks, remove any possible pinch points.

CLEANING AND MAINTENANCE

Do not allow the hose to be exposed to very high or very low temperatures for prolonged periods of time. High temperatures can damage the hose causing it to split, and low temperatures can cause the hose to lose flexibility making it difficult to retract.

Do not use any chemicals or substances with this hose such as acetone, white spirits, lactic acid, etc. Use of these chemicals will damage the hose and void the warranty.

Do not submerge the reel into water to clean it. Keep the hose clean by wiping it with a damp cloth when fully extended.

Mount the reel in a sheltered and shaded location in order to prolong the life expectancy and to ensure a maximum period of trouble-free service.

When not in use for extended periods, it is best to store the retractable garden hose in a garage or shed. Simply remove the pivot bar (2) to remove the hose reel housing (4), and place the hose reel housing (4) together with the pivot bar (2) in a dry storage area, out of the reach of children.

WARRANTY

ALTON INDUSTRY LTD. GROUP 2-YEAR LIMITED WARRANTY

This warranty covers any defects in materials or workmanship of the enclosed product. Alton Industry Ltd. Group will repair or replace any defective materials due to craftsmanship of the product. This warranty does not cover any problem caused by misuse, abuse, accidents or acts of God, such as floods or hurricanes. Consequential and incidental damages are not covered under this warranty. Coverage terminates if you sell or otherwise transfer the ownership. If you feel you have a defective product, please submit a copy of your receipt to the address below and call 1-888-899-0146 for instructions prior returning this item to the store or sending back to:

Alton Industry Ltd. Group
643 Innovation Drive
West Chicago, IL 60185

We will inspect the product and contact you within 72 hours to give you the results of our inspection. We reserve the right to repair or replace the product at our discretion. However, we may replace the product with one of similar but not exact features. **Parts and Service Information available call Alton Industry at 1-888-899-0146.** This warranty gives you specific legal rights. You may have other rights which vary from state to state.

ALTON INDUSTRY LTD. GROUP

📍 643 Innovation Drive West Chicago, IL 60185

🌐 <https://www.altonindustries.com>

✉ info@altonindustries.com



MADE IN CHINA
