



Watch Assembly Video

ALLSTAR™ Trampoline

Assembly & Maintenance Manual





Warning: Read all assembly, installation, care maintenance and usage instructions in the manual prior to assembling and using the Jumpflex® ALLSTAR product.

These products are for personal use only by one person aged 6 years and older.

These products are for outdoor use only.

Warning: For domestic use only. Adult assembly required.

Risk Warning: The use of this product involves a significant risk of participants suffering personal injury, including the possibility of serious injuries, permanent disability or death. All participants who engage in activities with the product do so at their own risk.

Contents

Notice to User & Safety Information	4
Maintenance & Care Instructions	7
Warranty Information	8
Trampoline Placement	9
Trampoline Parts List	10
Assembly Instructions	11
Warning Label Placement	36

Notice to User & Safety Information

Notice to User

Please read this agreement carefully before purchase or assembly. By opening this package, you acknowledge that you have read this agreement, understand it and agree to be bound by its terms. If you are making a purchase on behalf of another person, you agree that you are making the purchase as their agent.

Please Read

JUMPFLEX USA LLC LIMITED (“Jumpflex”) as a supplier of trampolines and Accessories, (“Equipment”), sells all Equipment subject to the following conditions:

1. To the maximum extent permitted by law, Jumpflex®, its employees, directors and agents will not be liable to the customer, their dependents or legal representatives for damage to property, personal injury or death suffered by the customer because the Equipment was not manufactured or supplied with due care and skill, the Equipment is not reasonably fit for its purpose or because of negligence, breach of contract, breach of statute or breach of statutory duty by Jumpflex®.
2. Jumpflex®, its employees, directors and agents are not liable to the customer, their dependents or legal representatives for personal injury or death suffered by the customer because the Equipment was not:
 - a. Installed in accordance with the Jumpflex® ALLSTAR Trampoline Assembly Manual. It is the customer’s responsibility to check all boxes to confirm that all components are included and in the correct condition before assembly.
 - b. Installed with due care and skill, by the customer or a third party assembly service.
 - c. Checked on a regular basis to ensure that the trampoline and its components are in the same condition as when the Equipment was supplied, particularly checking for wear and tear including, but not limited to: weather damage, deterioration of the mat, padding and net spring stretch, UV deterioration or rust.

The customer acknowledges that using this Equipment can be dangerous, with inherent risks and hazards. As a consequence, personal injury or death may occur. The customer assumes and accepts all such risks to the full extent permitted by law and waives any right of action against, and fully releases Jumpflex® for all loss, damages, personal injury or death in any way caused by, or relating to, the customer’s use of the Equipment. This includes, without limitation, liability for any negligent or tortious acts or omissions, breach of duty, breach of contract or breach of statutory duty on the part of Jumpflex, its officers, directors, employees or agents.

Risk Warning

The use of this Equipment involves a significant risk of participants suffering personal injury including the possibility of serious injury, permanent disability or death. All participants who use the equipment do so at their own risk.

Specific Use Limitations

1. Do not use a Jumpflex® ALLSTAR trampoline without mature and knowledgeable supervision present. Children using a trampoline with a trampoline safety net must be supervised by adults. Young children must be supervised constantly.
2. Do not attempt or allow somersaults.
3. Do not allow more than one person on the trampoline at any time.
4. Do not use the trampoline if it's raining or wet.
5. Do not jump onto or off of the trampoline.
6. Do not use a trampoline while under the influence of drugs or alcohol.
7. Do not allow any activity underneath the trampoline.
8. Learn fundamental bounces and body positions thoroughly before attempting more advanced skills.
9. Properly secure the trampoline when not in use to protect against unauthorised use. If a trampoline ladder is used, the supervisor should remove it from the trampoline when leaving the area.
10. The trampoline must not be used in gusty or severe winds and only when wind or air movement is calm and gentle.

Safety Instructions

1. Read all instructions before using the trampoline.
2. Allow only one person on the trampoline at any time. Use by more than one person at the same time can result in serious injury.
3. Use the trampoline only with mature adult supervision at all times.
4. Inspect the trampoline before each use. Make sure the frame padding is correctly and securely positioned. Replace any worn, defective, or missing parts.
5. Keep objects away that could interfere with the user. Maintain a clear area around, above, and under the trampoline.
6. Misuse and abuse of the trampoline is dangerous and can cause serious injuries.
7. Use the trampoline safety net enclosure in accordance with the guidelines laid out below (see section: "SAFE USE OF THE SAFETY NET ENCLOSURE")
8. When bouncing, focus your eyes on the edge of the trampoline. This will help control your bounce.
9. Avoid bouncing for too long. Do not bounce when tired.
10. Stop your bounce by flexing your knees as your feet come in contact with the trampoline bed. Learn this skill before you attempt any others.
11. Never use springs or extension elements as "hand grips".
12. Avoid bouncing too high. Stay low until you can control your bounce and repeatedly land in the centre of the trampoline.
13. Do not use the trampoline as a springboard to other objects. Use the trampoline only for trampoline style bouncing.
14. It is advisable not to bounce immediately after a meal.
15. Do not attempt knee drops. This can cause injury if you attempt this skill without some experience or personal instruction.
16. Your clothing should allow plenty of freedom of movement, but loose clothing is discouraged.
17. No buckles or jewellery should be worn, as these could damage the trampoline mat and cause injury to the jumpers.
18. Do not wear shoes while bouncing on the trampoline unless they are designed specifically for use on a trampoline.
19. Remove ladder when it is not in use to prevent young children falling and injuring themselves.
20. Avoid bringing any miscellaneous items onto the trampoline.
21. Refrain from eating or drinking on the trampoline to avoid spillages and potential injury as a result.
22. Remember to wear suitably sun-protective clothing, sunscreen and a hat (soft, not hard) to avoid becoming sunburned.
23. For further information or additional instructional materials, contact Jumpflex or your nearest trampoline club.

Safe Use of The Safety Net Enclosure

Adult Supervision of Children

Children using a trampoline with a trampoline safety net must be supervised by adults. Young children must be supervised constantly. Adults must pay particular attention to:

- Ensuring that the entrance of the safety net is completely closed prior to Jumpflex trampoline usage.
- Things that children bring into the safety net enclosure, particularly sharp or breakable objects
- Children's activities inside the safety net enclosure
- Conditions inside the safety net enclosure while children are using it
- The way children enter and exit the safety net enclosure

Electrocution Hazard Associated with the Metal Frame of the Trampoline and Enclosure

The trampoline and enclosure frames are made of galvanized steel. They are not grounded and will conduct electricity. For this reason, an electrocution hazard exists. No lights, electric heaters, extension cords, or household electrical appliances are to be permitted on the trampoline or in the safety net enclosure at any time.

Hazards Associated with Entering and Exiting the Trampoline Enclosure

• A trampoline safety net enclosure installed on a trampoline is raised off the ground. The height of the safety net enclosure increases the risk of a fall when a jumper is entering or leaving the safety net enclosure. Young children especially may have difficulty entering and exiting the enclosure. To reduce the risk of falling, always help young children to get into and out of the enclosure.

• Only enter and exit the trampoline using the door of the safety enclosure (the zip opening in the netting wall). The trampoline mat and the netting walls of the safety net enclosure are separate pieces. No jumper, especially young children, should ever leave the enclosure by going out between the mat and the netting walls. Trying to get out this way creates a risk of choking from being caught between the trampoline frame and the netting walls.

• With appropriate supervision, children should climb on and off the trampoline – they should not jump. Jumping from the trampoline to the ground is dangerous. Similarly, children should not run and leap onto the trampoline.

• Darkness increases the chances of a fall when a jumper is entering or leaving the enclosure. Do not use the trampoline unless there is plenty of lighting provided.

Hazards Associated with Animals, Sharp or Breakable Objects

• To avoid damage to the trampoline enclosure and the trampoline, Jumpflex recommends that you do not allow pets or other animals inside of the enclosure. The claws and teeth of animals can damage the netting. Do not jump on the trampoline while holding or wearing a sharp or breakable object.

Maintenance & Care Instructions

Your trampoline is a substantial investment for the enjoyment of your family, and it must be noted that improper use or lack of care can lead to early deterioration. Please follow all of the points below to ensure your product lasts as long as possible.

General Care

1. We strongly recommend cleaning your ALLSTAR Trampoline and accessories every month with warm soapy water. When dirt and other particles are left to build up on the trampoline, this can cause wear and tear to accelerate.
2. When your trampoline is not going to be used for a long period of time, it is best to store it out of the weather.
3. Protect and secure your trampolines in extreme weather such as strong winds, hail and lightning. An effective way to prevent damage under these extreme circumstances is to cover the trampoline with an appropriate protective cover and to secure the trampoline to the ground to avoid it being moved by strong winds.
4. Inspect the trampoline before each use and replace any worn, defective, or missing parts.

Safety Padding

1. Dirt and dust build up on the Safety Pad, if left, will accelerate the deterioration of the Padding. Your Safety Padding should be cleaned once a month with warm soapy water.
2. Trampoline safety padding is made from highly water resistant and UV-resistant material to withstand sun exposure. The safety padding is designed to be able to be drained in the event water becomes trapped inside, as this can accelerate the deterioration of the padding. If water becomes trapped, lift the pads from the inside edge to drain the water out.
3. Safety padding must be kept loose above the springs. Under no circumstances should the safety padding be leaned on, sat on, or stood on. This weight applies direct contact to the springs and can cause ripping in the safety pads and/or injury.

4. In areas that experience extreme cold, remove and store the safety pads indoors during winter. This will prevent any possible cracking due to sub-zero temperatures.
5. Under no circumstances should any object hotter than 120 degrees Fahrenheit or 48 degrees Celsius come into contact with any part of the safety padding. High temperatures may result in melting or burning of the padding material and extreme temperatures may cause the padding to catch fire.
6. Rainwater, if not wiped off, may result in spots forming from residue left from the water as it dries. Any water applied to clean the surface must be wiped dry with a clean cloth or chamois and not left to dry in the sun.

Safety Net

1. Inspect the trampoline enclosure before each use.
2. Prolonged exposure of the safety net to the sun's UV rays can lead to a shortened lifespan of the material. During the winter months or when the trampoline will not be in use for a long time, e.g. winter or storm seasons, remove the safety net and store indoors in a cool dry place out of sunlight.
3. The user of the trampoline must not have any solid or sharp objects present on their person while using the trampoline. These foreign objects may cause damage to the safety netting, jumping mat or safety padding.
4. Always check for any defects in the safety netting poles before using your trampoline.
5. Regularly check that the safety netting pole bolt assembly remains in a working state, are completely fastened and are tight.
6. The safety net must be in use at all times that the trampoline is being utilized.

Warranty Information

JUMPFLEX USA LLC LIMITED Limited Trampoline Warranty

Warranty Coverage

JUMPFLEX USA LLC LIMITED and its authorized service partners warrant its JUMPFLEX ALLSTAR SERIES products to be free of defects in material and workmanship under normal domestic recreational use and service conditions. The various component parts of the trampoline are warranted against failure and defects in the workmanship as follows:

FRAME:	2 years
JUMP MAT & SPRINGS:	1 year
SAFETY PAD, SAFETY & SAFETY POLES	1 year
JUMPFLEX® ACCESSORY RANGE:	1 year

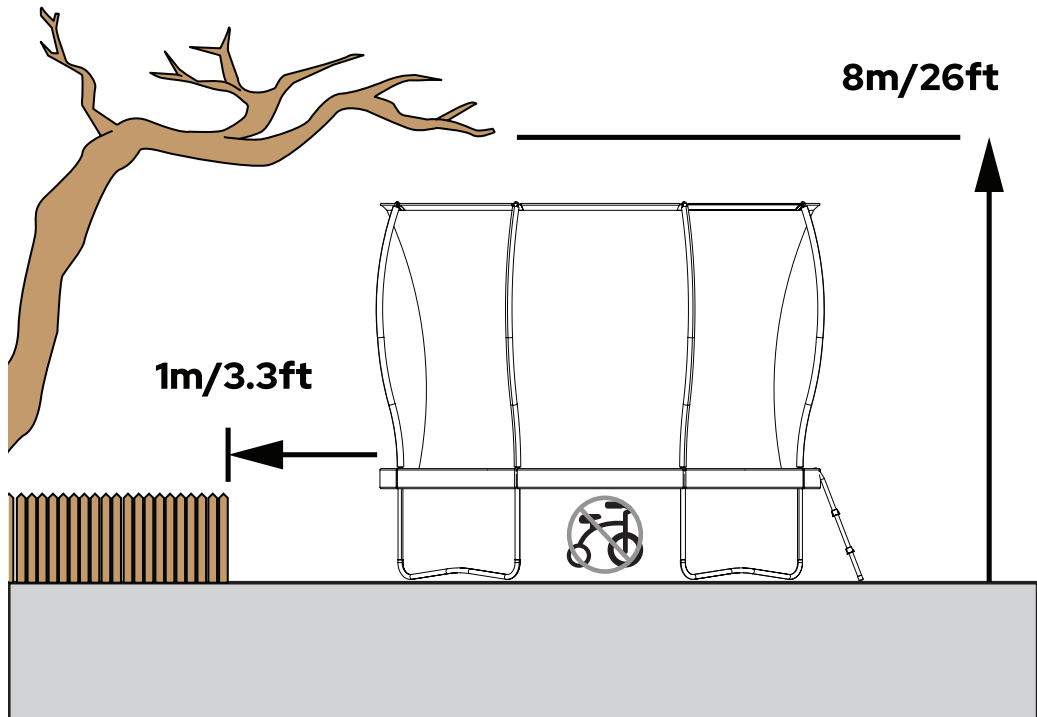
The warranty excludes cover for any faults caused by a lack of maintenance, acts of nature, weather damage, misuse, incorrect assembly, or normal wear and tear. External sources such as theft, fire damage, cuts or vandalism are also not covered. The warranty also doesn't cover misuse or minor imperfections in trampolines that meet design specifications or do not materially alter functionality.

The warranty in respect of the mat and the enclosure net does not cover normal wear and tear (e.g. stitching wear due to use), burns, cuts or snags. The warranty on the frame does not cover surface rust.

Warranty claims resulting from manufacturing quality control defects e.g. cuts in mats, broken D-rings, tears in net, missing components etc must be reported within 45 days of the product being purchased. Warranty claims reported outside the initial 45 days purchase period may be rejected by JUMPFLEX USA LLC LIMITED. Shipping costs associated with approved warranty claims during this 45 day period will be borne by Jumpflex Ltd. Beyond this 45 day period, all shipping costs must be borne by the purchaser.










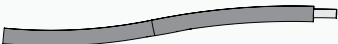
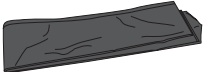


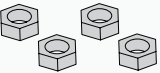


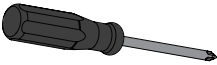

JUMPFLEX USA LLC LIMITED IS NOT RESPONSIBLE OR LIABLE FOR INDIRECT, SPECIAL OR CONSEQUENTIAL DAMAGES ARISING OUT OF OR IN CONNECTION WITH THE USE OR THE PERFORMANCE OF THE PRODUCT OR ANY OTHER DAMAGES WITH RESPECT TO ANY ECONOMIC LOSS, LOSS OF PROPERTY, LOSS OF REVENUE OR PROFITS, LOSS OF ENJOYMENT OR USE, COST OF REMOVAL, INSTALLATION/DISASSEMBLY OR OTHER CONSEQUENTIAL DAMAGES. SOME STATES/TERRITORIES DO NOT ALLOW THE EXCLUSION OR LIMITATION OF INCIDENTAL OR CONSEQUENTIAL DAMAGES. ACCORDINGLY THE ABOVE LIMITATIONS MAY NOT APPLY TO YOU. THE WARRANTY EXTENDED HEREUNDER IS IN LIEU OF ALL OTHER WARRANTIES AND ANY IMPLIED WARRANTY OF MERCHANTABILITY, OR FITNESS FOR A PARTICULAR PURPOSE IS LIMITED IN ITS SCOPE AND DURATION TO THE TERMS SET FORTH HEREIN. SOME STATES/TERRITORIES DO NOT ALLOW LIMITATIONS ON HOW LONG AN IMPLIED WARRANTY LASTS. ACCORDINGLY THE ABOVE LIMITATIONS MAY NOT APPLY TO YOU. THIS WARRANTY IS NOT TRANSFERABLE.

Trampoline Placement



- Minimum overhead clearance of 8m/26ft from ground level. Possible hazards may include wires and tree branches.
- Recommended clearance of 1m/3.3ft from obstacles such as walls, structures, fences and other play areas.
- Keep the trampoline on a level surface.
- The trampoline must not be used in gusty or severe wind.

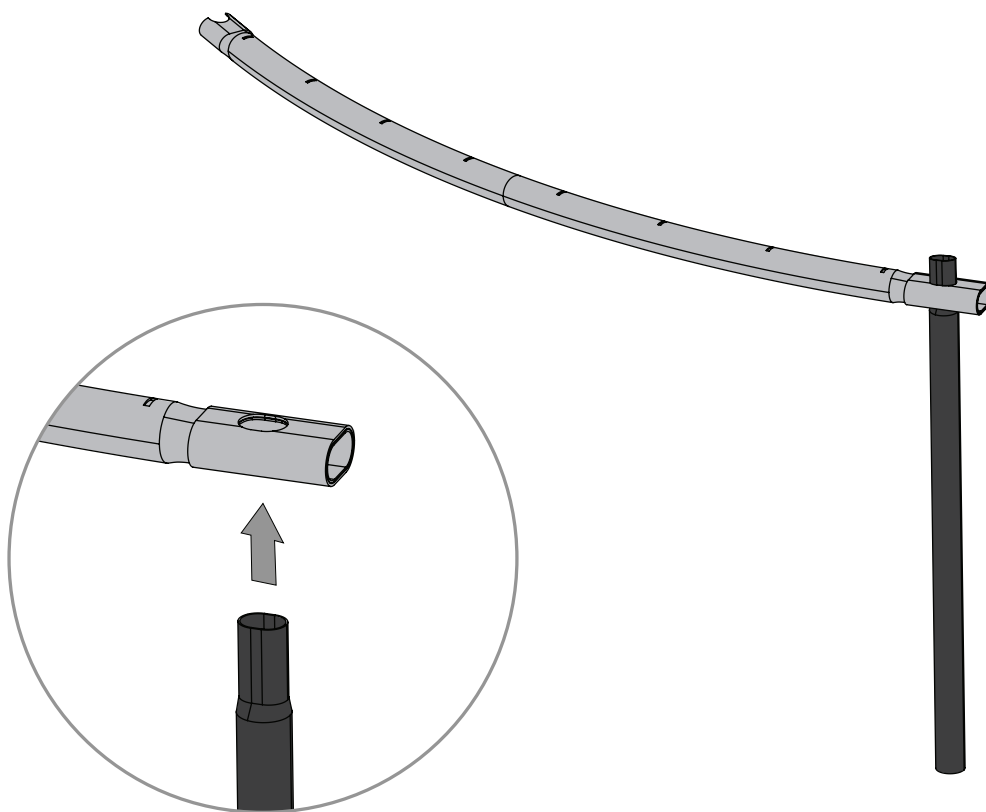
Trampoline Parts List

#	Part	Description	8ft qty.	10ft qty.	12ft qty.	14ft qty.
1		Top Rail	8	10	10	12
2		Leg Pole	8	10	10	12
3		W-Foot	4	5	5	6
4		Spring	48	60	70	84
5		Jump Mat	1	1	1	1
6		Spring Tool	1	1	1	1
7		Safety Net	1	1	1	1
8		Spring Pad	1	1	1	1
9		Upper Net Poles	8	10	10	12
10		Lower Net Poles	8	10	10	12
11		Net Pole Sleeves	8	10	10	12
12		Fibreglass Net Ring Poles	7	9	10	11
13		Ladder Steps	2	2	2	2
14		Ladder Nuts	4	4	4	4
15		Ladder Poles	2	2	2	2
16		Ladder Hooks	2	2	2	2
17		Screwdriver	1	1	1	1
18		40mm Bolts	4	4	4	4

Assembly Instructions

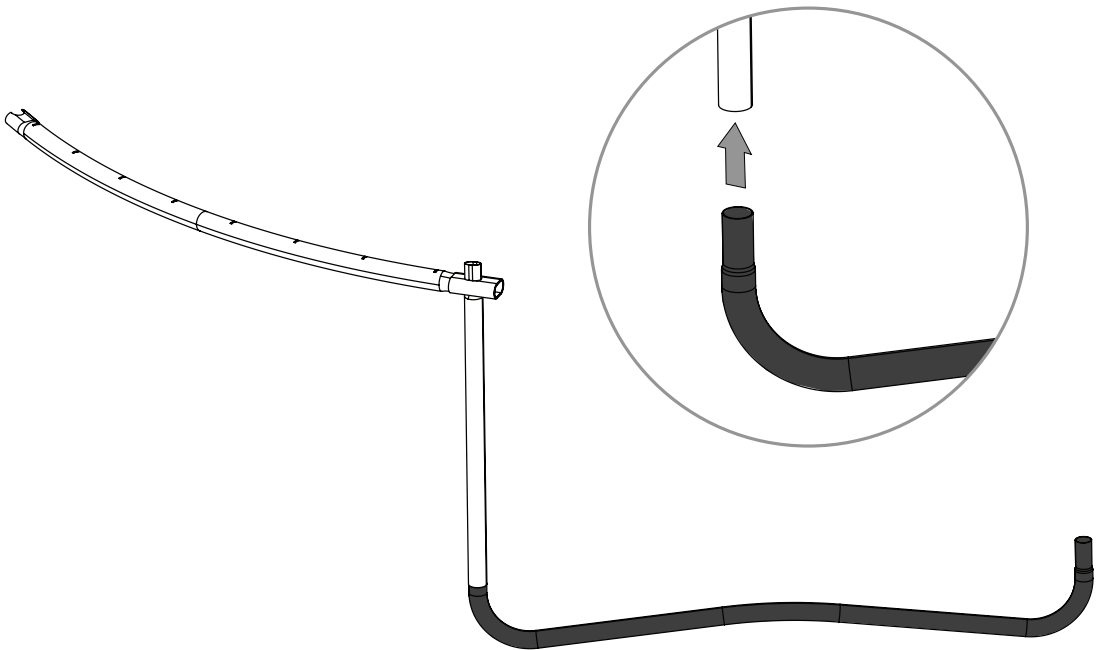
01

Take 1x **Top Rail (1)** and 1x **Leg pole (2)**.
Insert the **Leg Pole (2)** up through the
hole on the right hand side of the rail
with the button clip facing inwards into
the curve.



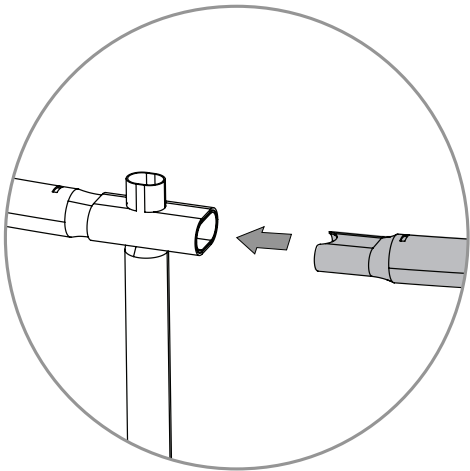
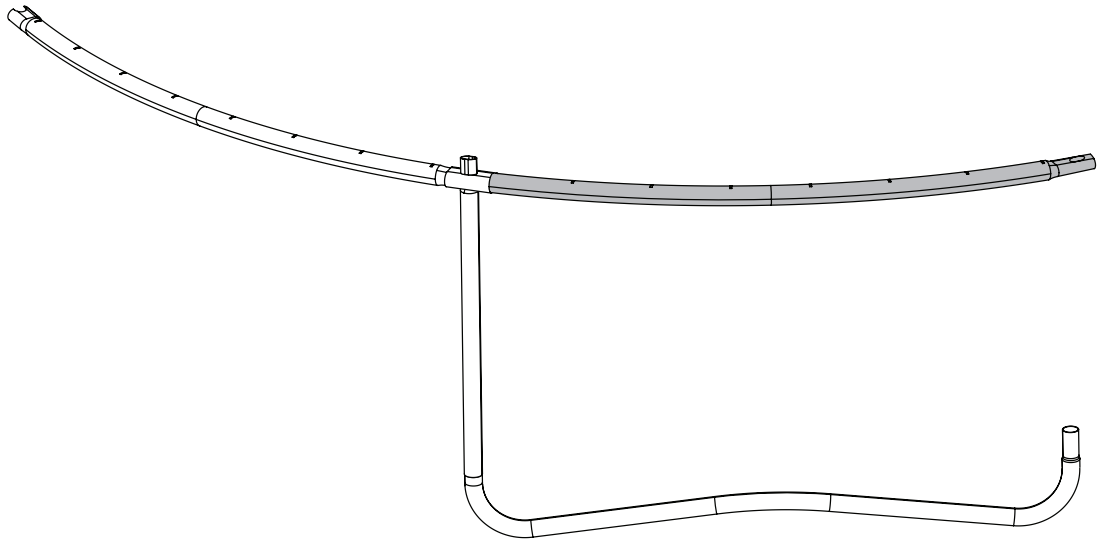
! Make sure the top rail is curving away from you and the spring holes are facing upwards.
Make sure the leg pole upper drill hole is positioned inwards.

Take 1x **W-Foot (3)** and insert the left side into the bottom of the **Leg Pole (2)** with the button clip facing inwards. Ensure the button clip is aligned and clicks into place.



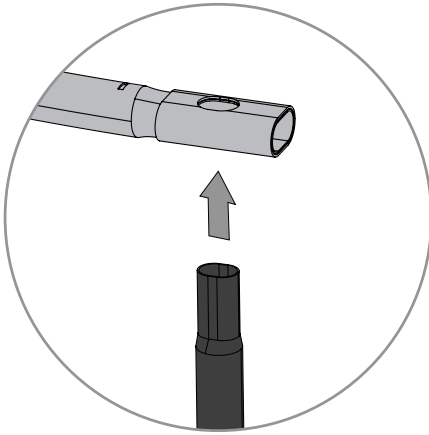
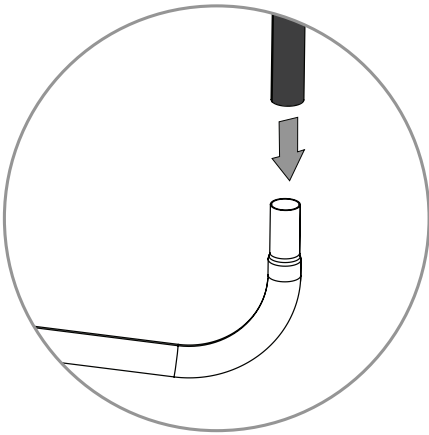
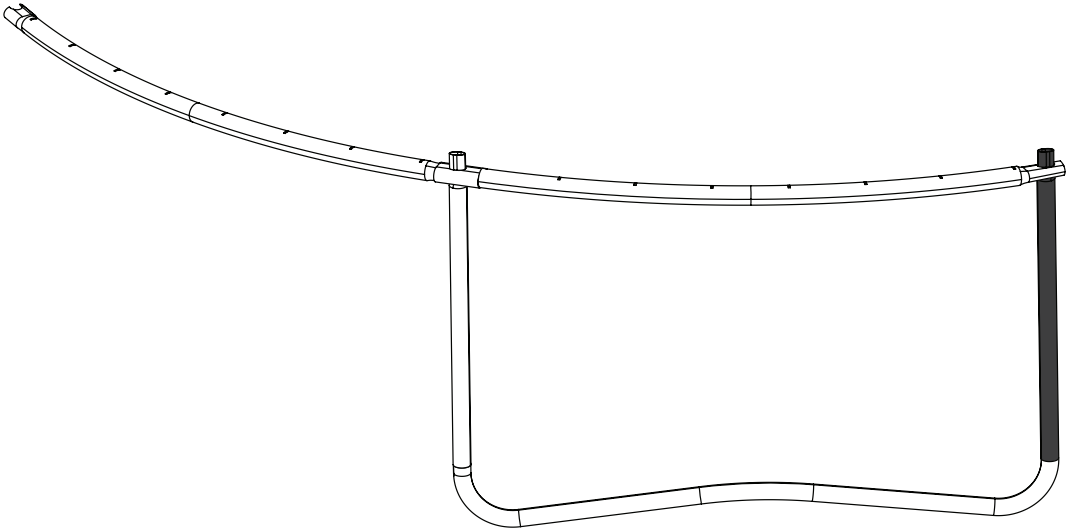
**Make sure your assembly
now matches the illustration.**

Attach another **Top Rail (1)** to the assembly by inserting into the existing **Top Rail (1)** as pictured.

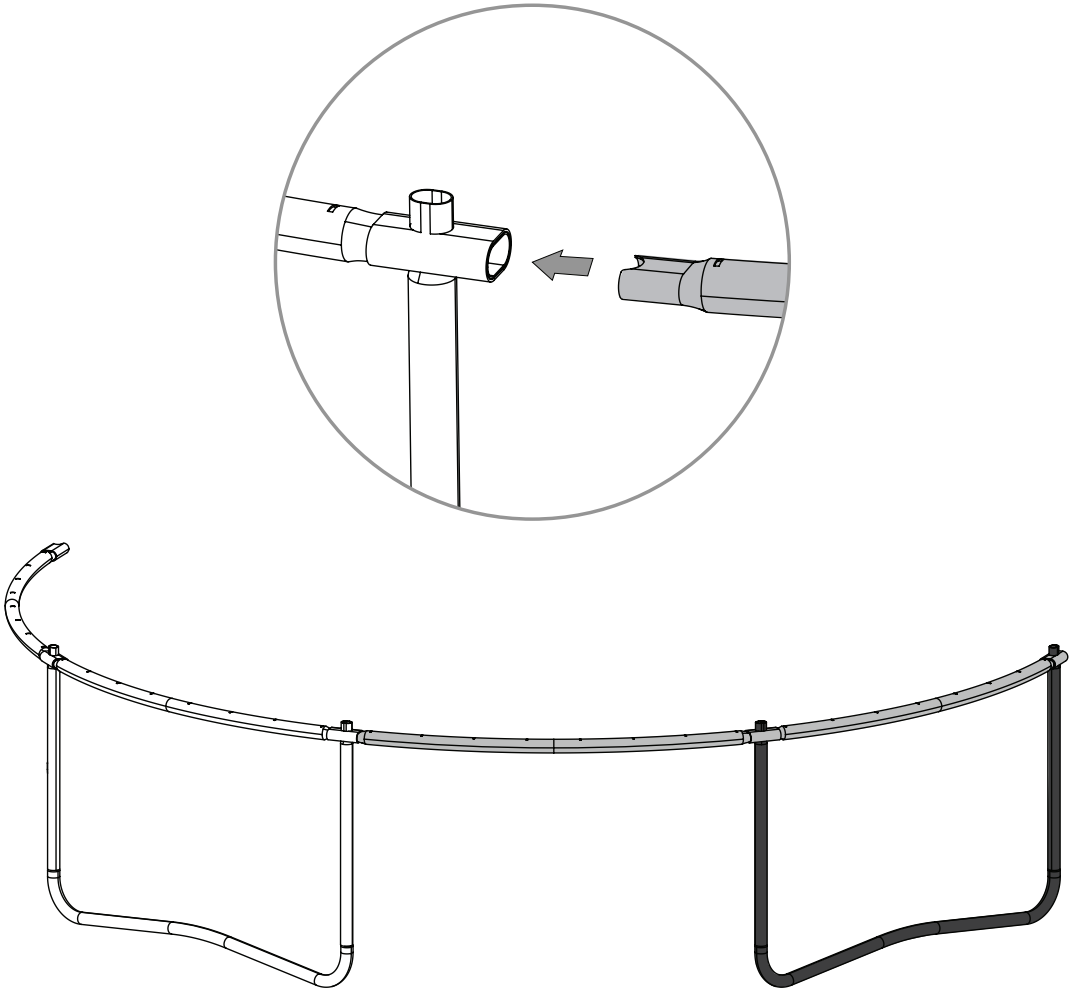


! Make sure the spring attachment holes are facing upwards.

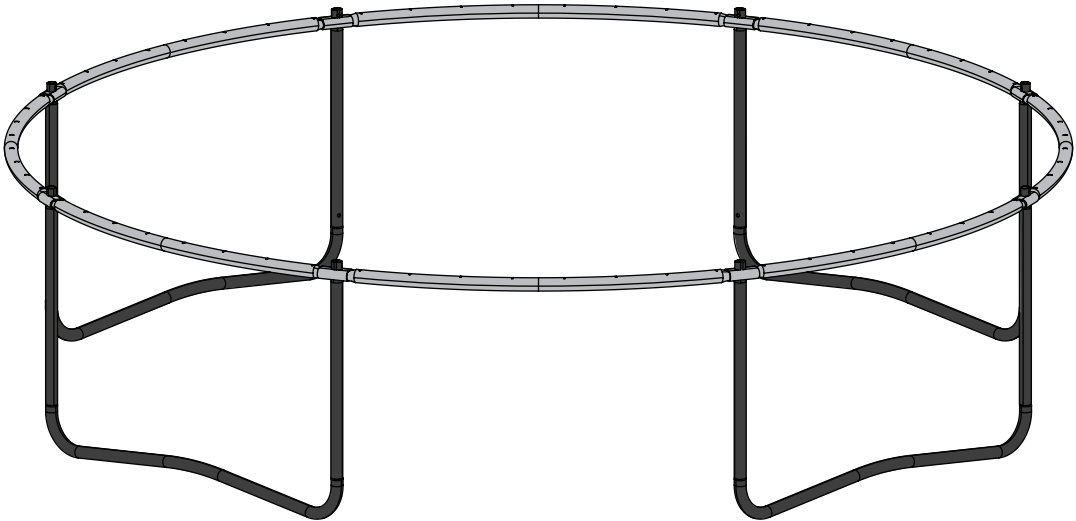
Place 1x **Leg Pole (2)** on to the **W-Foot (3)** and insert through the **Top Rail (1)**.



! Make sure the spring attachment holes are facing upwards.

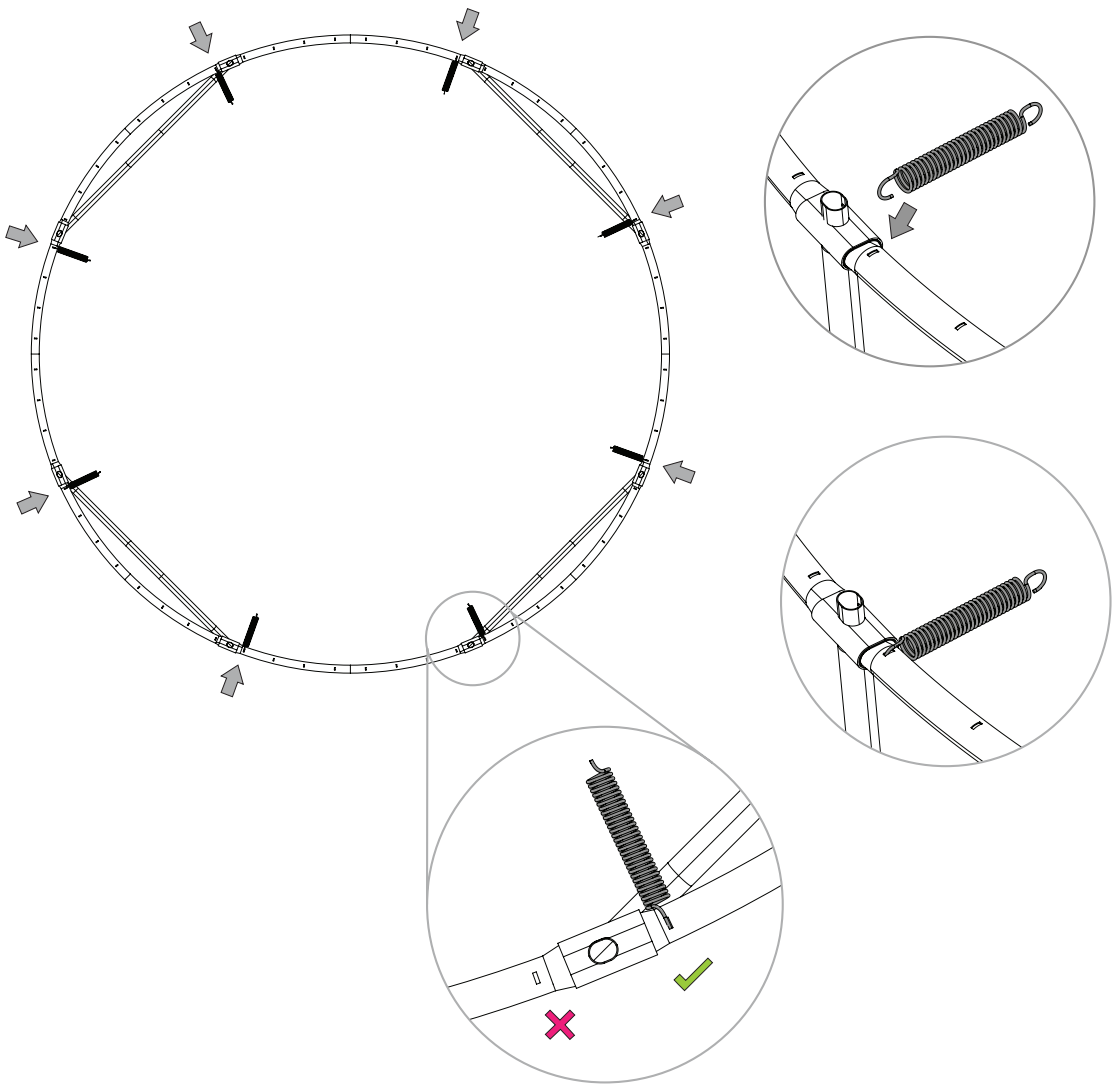


Repeat steps 1-4 and then attach the assemblies together by bringing the **Top Rails (1)** together as pictured.

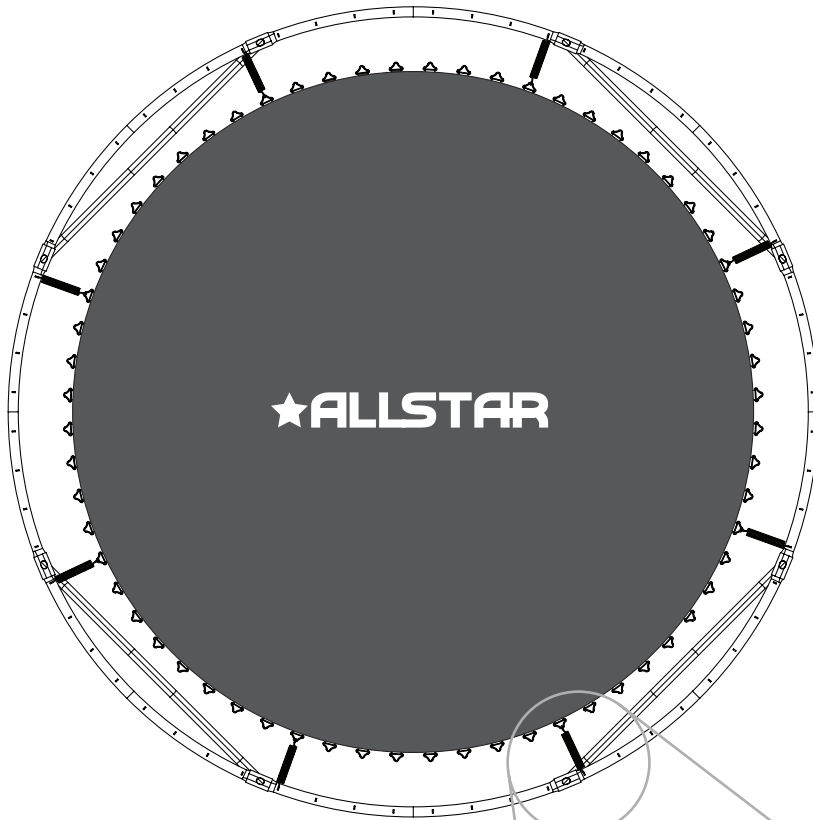


Repeat steps 1-5 until all the **Top Rail (1)** and **W-Foot (3)** components are assembled making the complete circular frame of the trampoline.

Take out the **Springs (4)** and prehang one spring on the first slot to the right of each leg pole as illustrated.



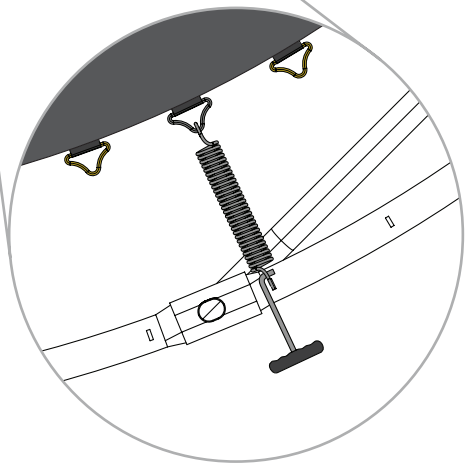
Take out the **Jump Mat (6)**. Take one of the prehanging springs and attach it to a D-Ring on the **Jump Mat (6)**. Count out (8ft size = 6, 10ft size = 6, 12ft size = 7, 14ft size = 7) **Jump Mat (6)** D-Ring's and connect the next pre hanging spring to this D-Ring. Continue until all of the prehanging springs are attached to the **Jump Mat (6)**.



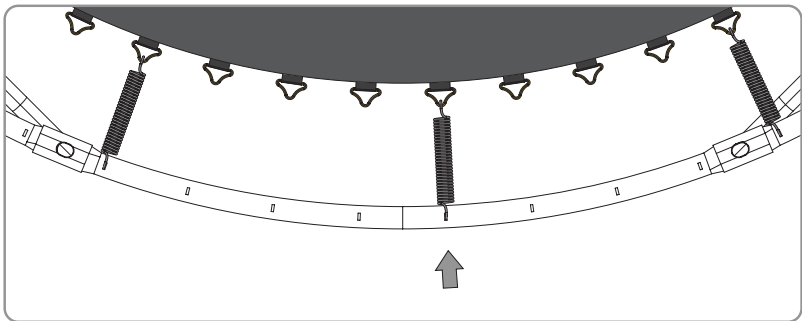
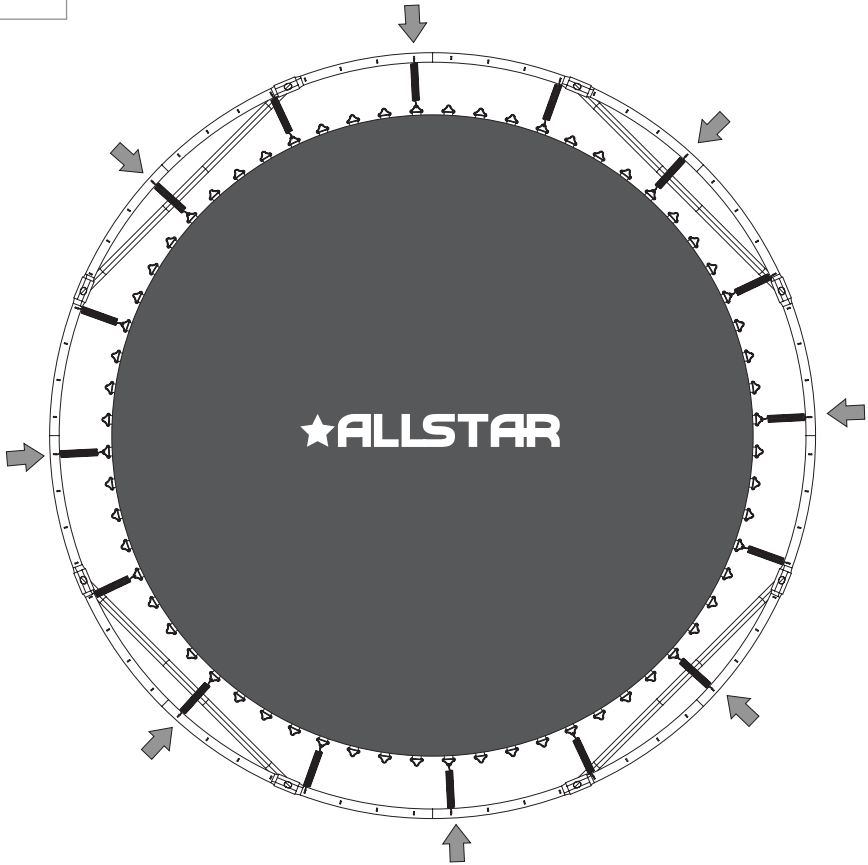
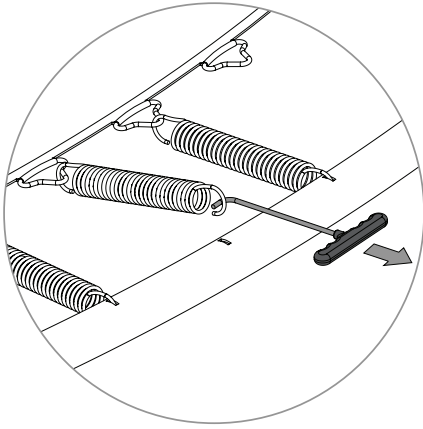
! Make sure there are an equal number of empty D-Rings and Top Rail spring connections between each spring.

! TIP: Attach the Spring to the Jump Mat first, then use the Spring Tool (7) to pull the Spring out and hook into the frame using your body weight and the frame as support.

! Make sure the ALLSTAR logo on the Jump Mat (6) is lined up straight between two leg poles.

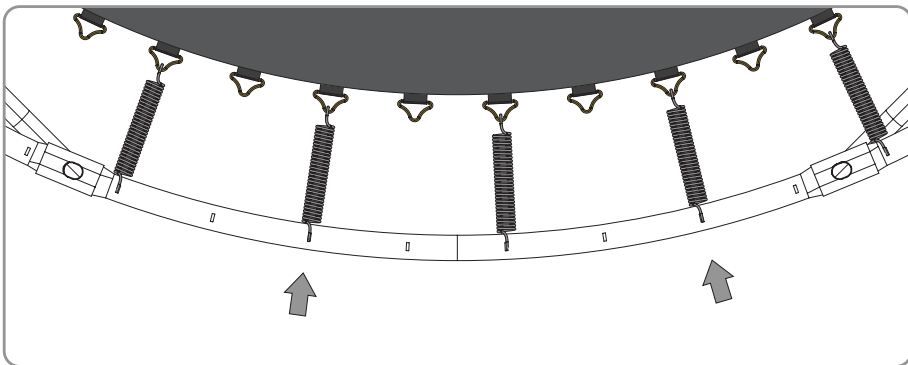
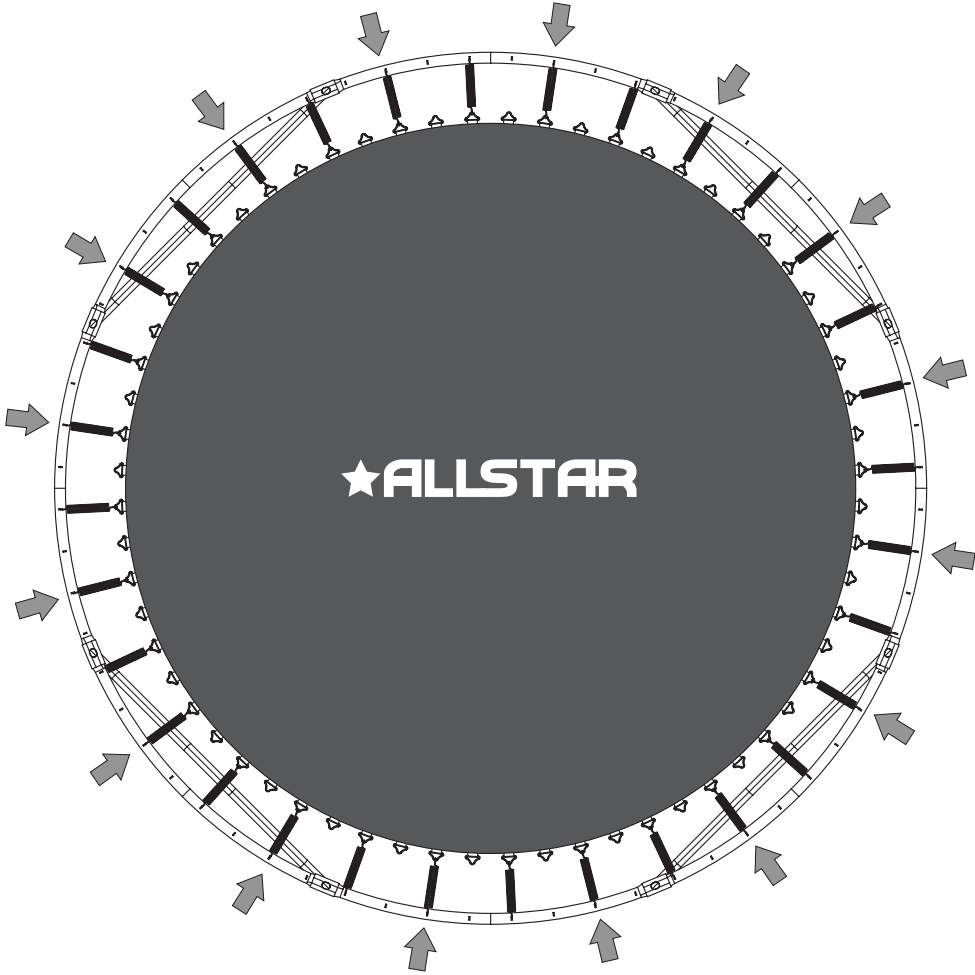


Attach another **Spring (5)** in the middle of each spacing.

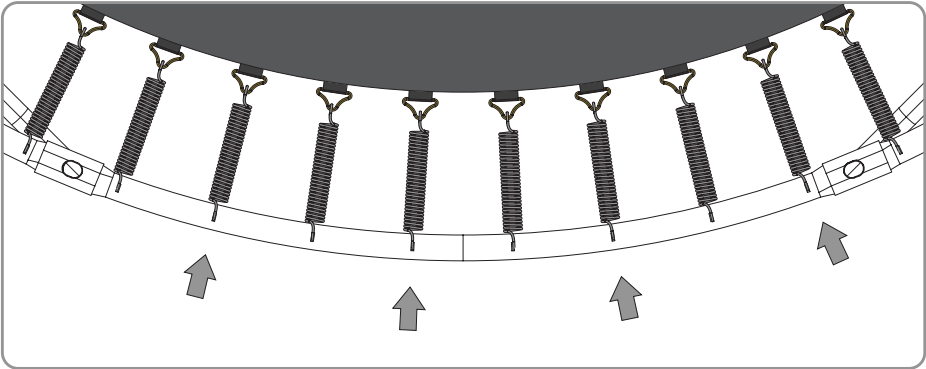
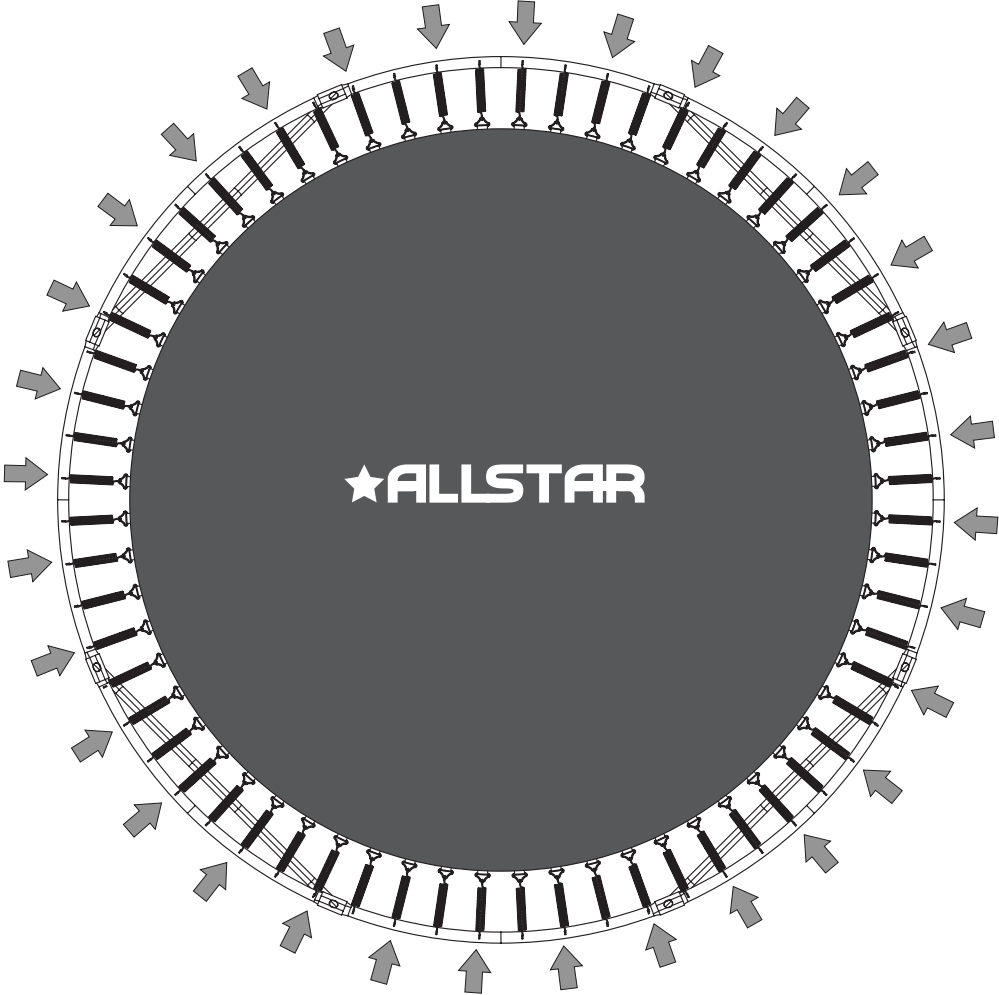


Attach another **Spring (4)** in the middle of each new spacing again.

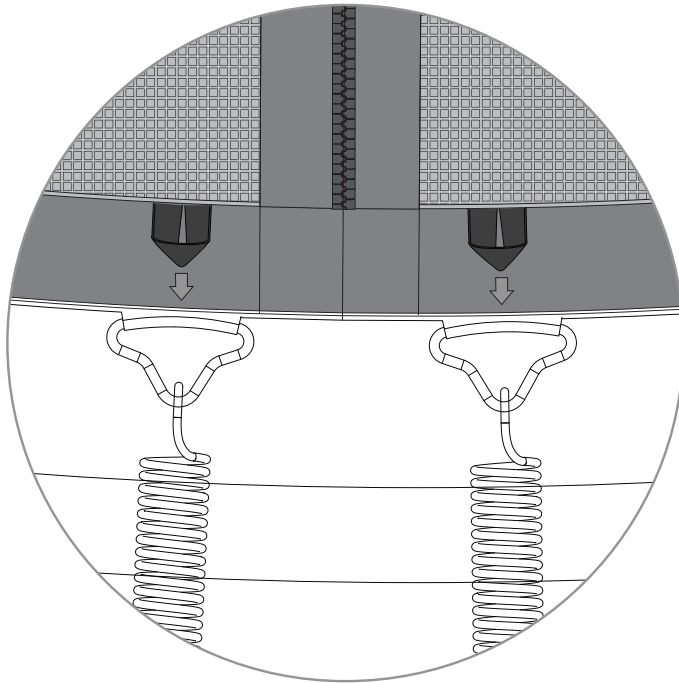
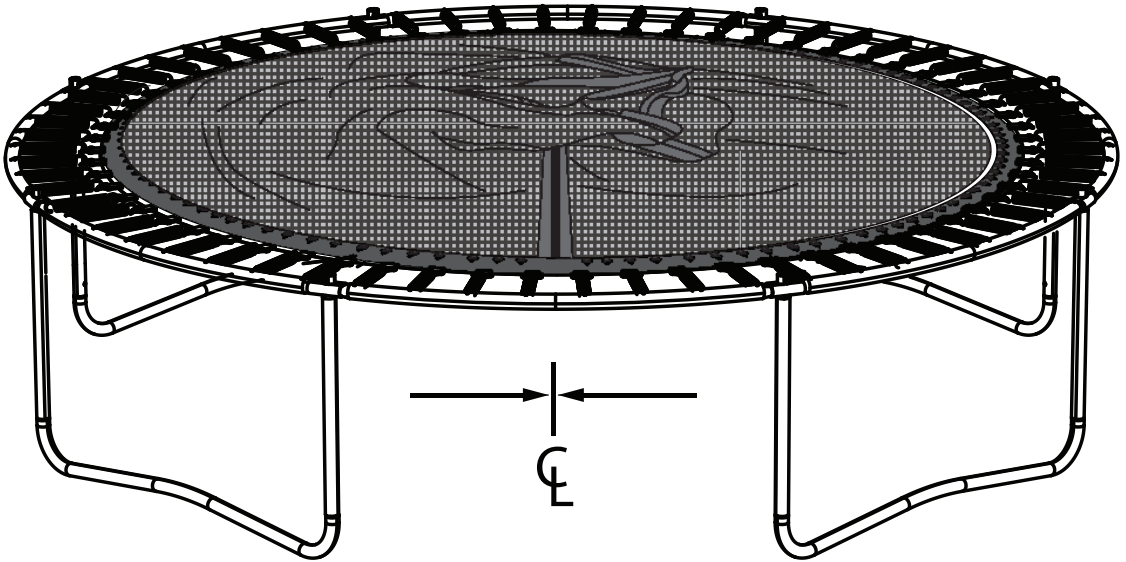
10



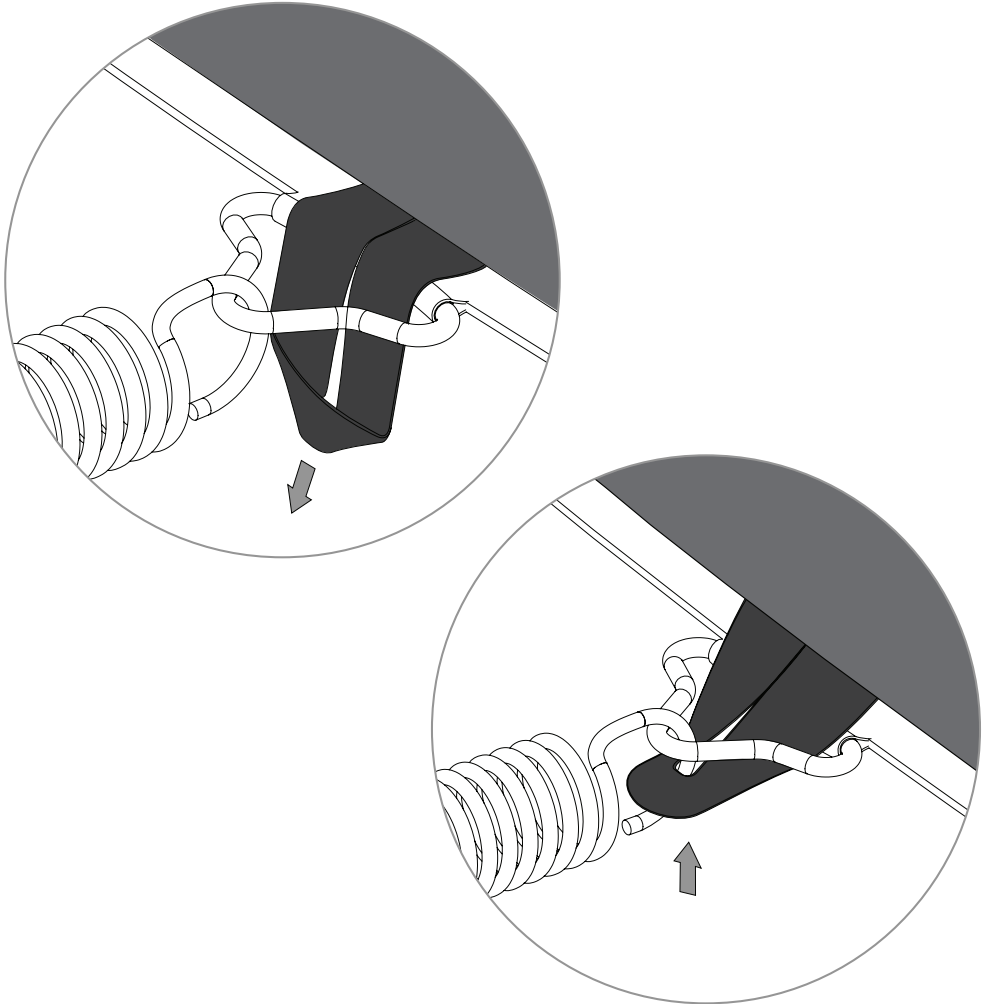
Attach another **Spring (4)** in the middle of each new spacing until all the frame attachment points are connected to the **Jump Mat (5)** D-Rings as



Take out the **Safety Net (7)** and layout on top of the **Jump Mat (5)**.



Important: Align the net zip exactly in the middle between two legs. Count out the springs from left to right of each leg and locate the two middle springs. Locate and align the two safety net attachment rings either side of the zip and align them with these springs and the corresponding D-Rings on the Jump Mat.



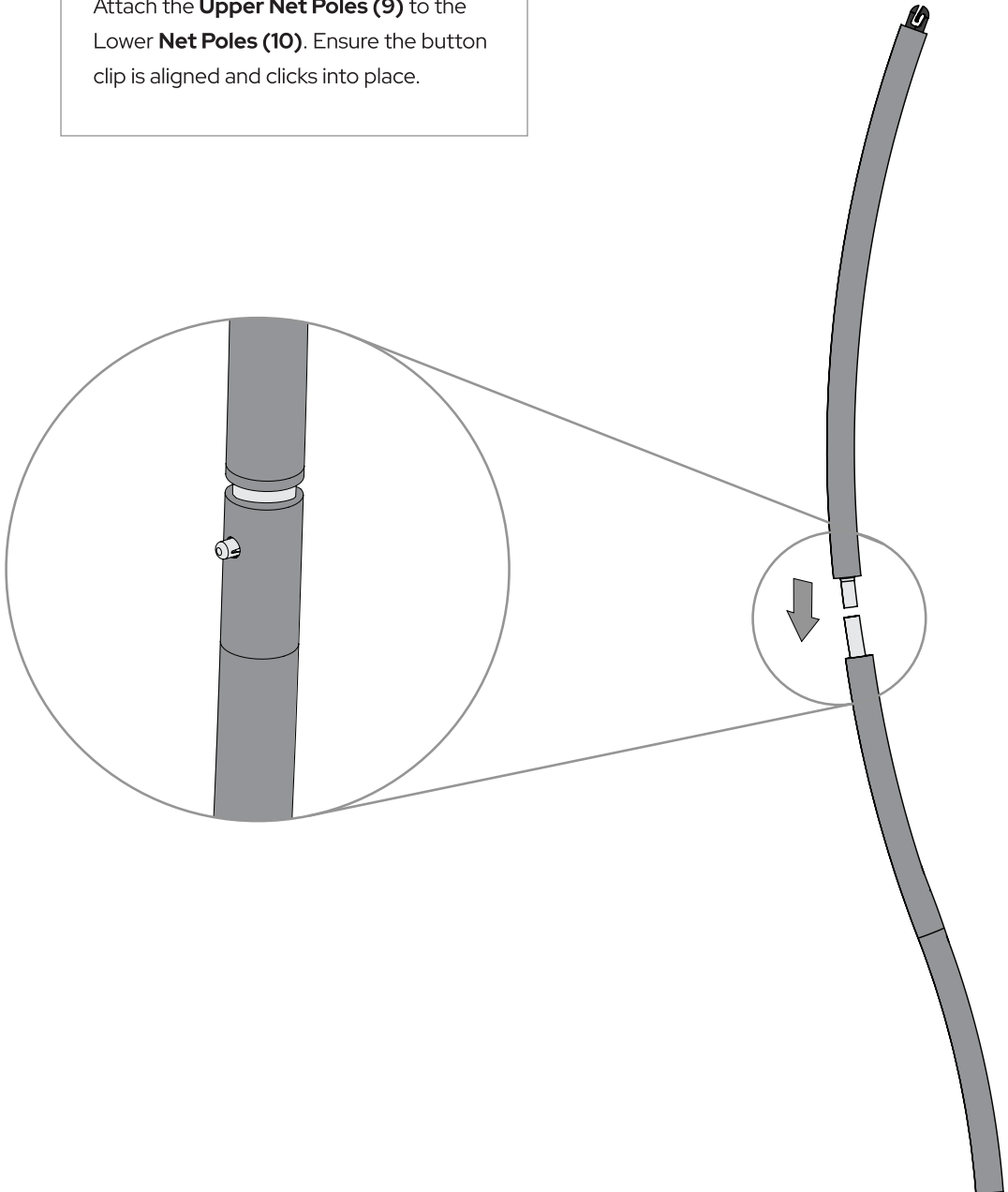
Starting at the net zip, take a fabric hook from the base of the **Safety Net (8)** and thread it through the **Jump Mat (5)** D-Ring and over the attached hook. Work your way around the trampoline, repeating this process until all the fabric hooks are attached.

Take out the **Spring Pad (8)** and lay it over the springs and outer frame.

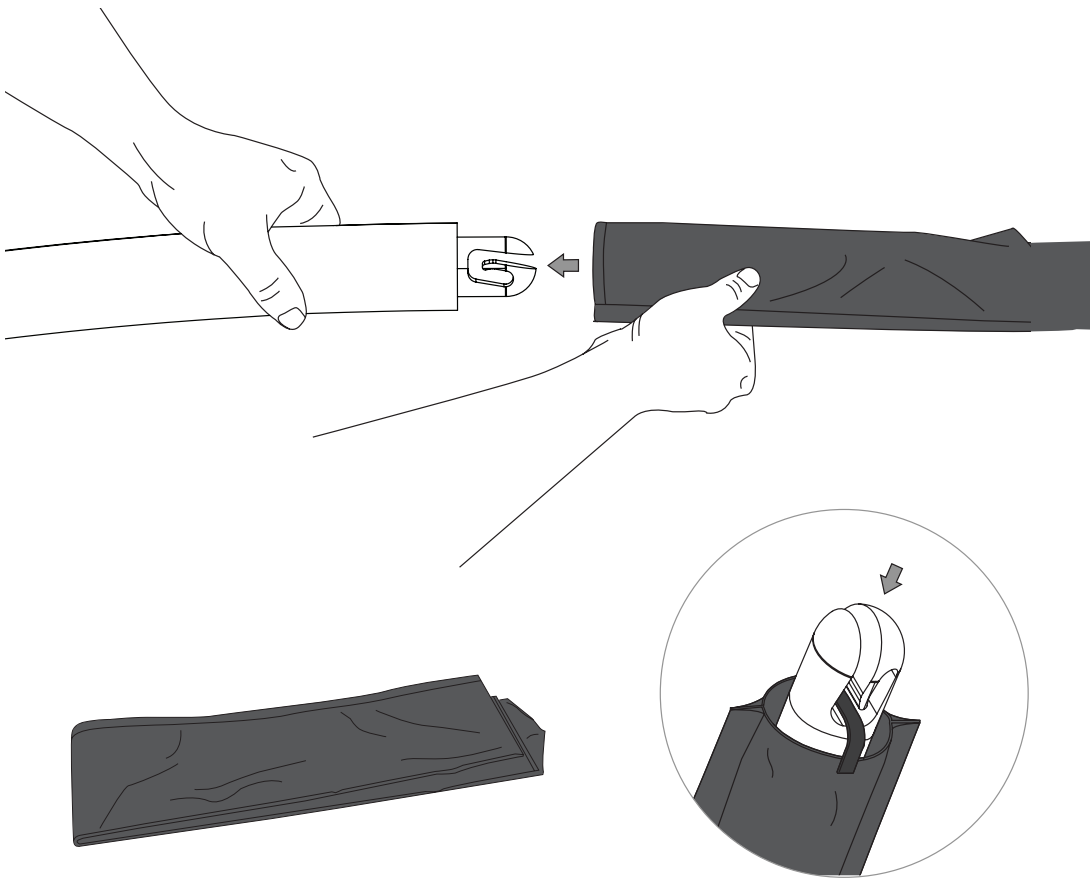


! Important: Position the ALLSTAR panel on the spring pad in front of the net zip and align with the vertical legs.

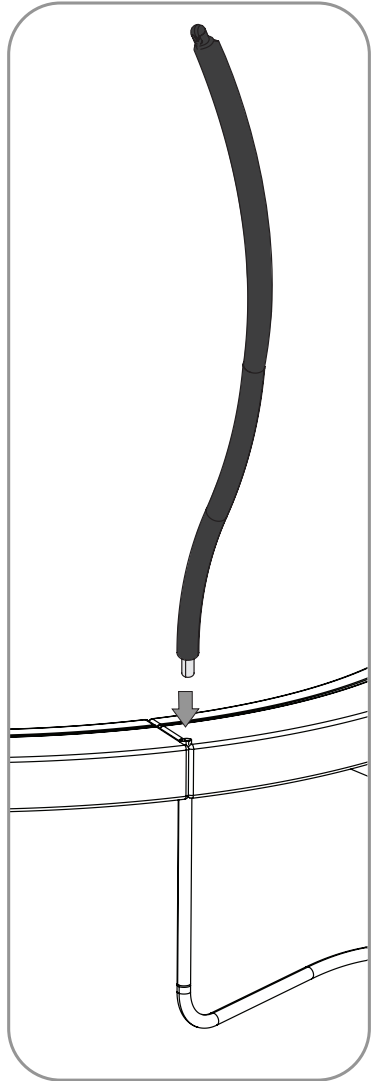
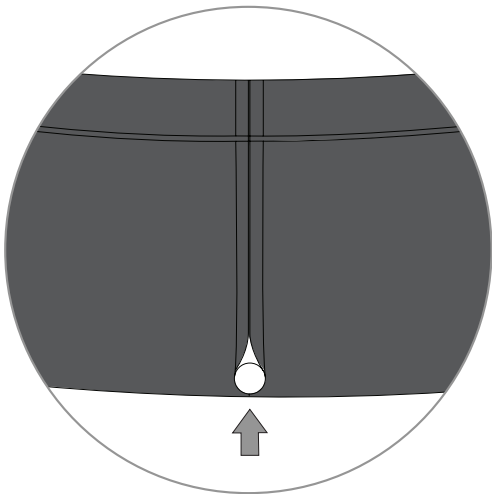
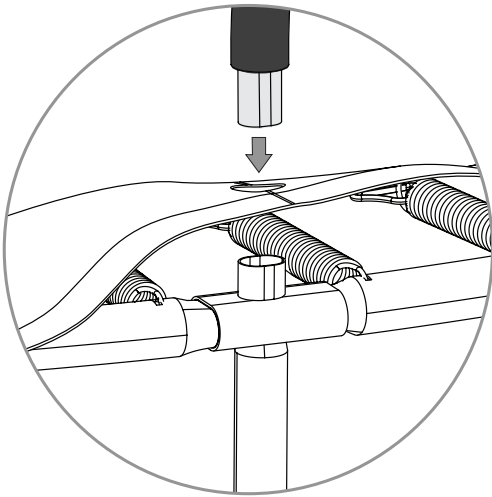
Attach the **Upper Net Poles (9)** to the **Lower Net Poles (10)**. Ensure the button clip is aligned and clicks into place.



Take out the **Net Pole Sleeves (11)** and pull them over the assembled net poles.

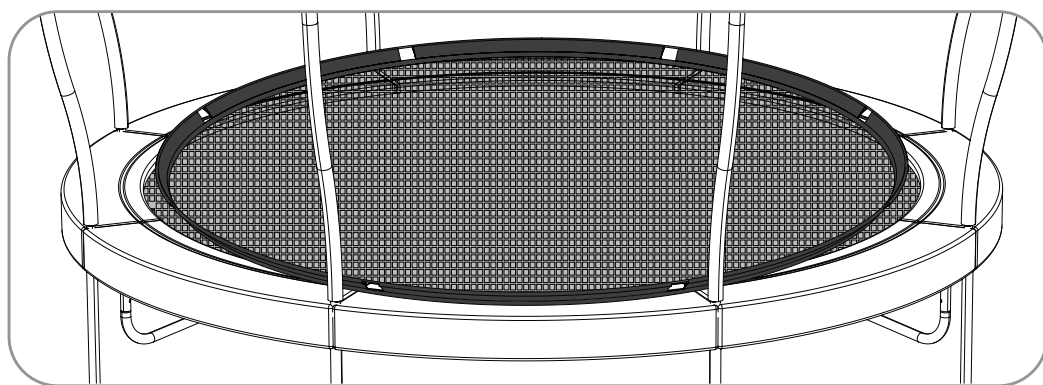
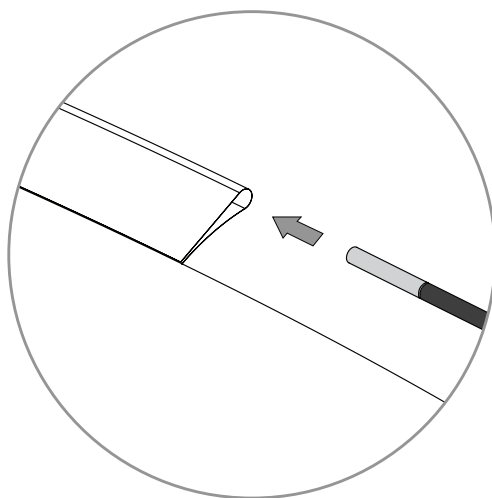


! Ensure the fabric loop lies inside the plastic hook.

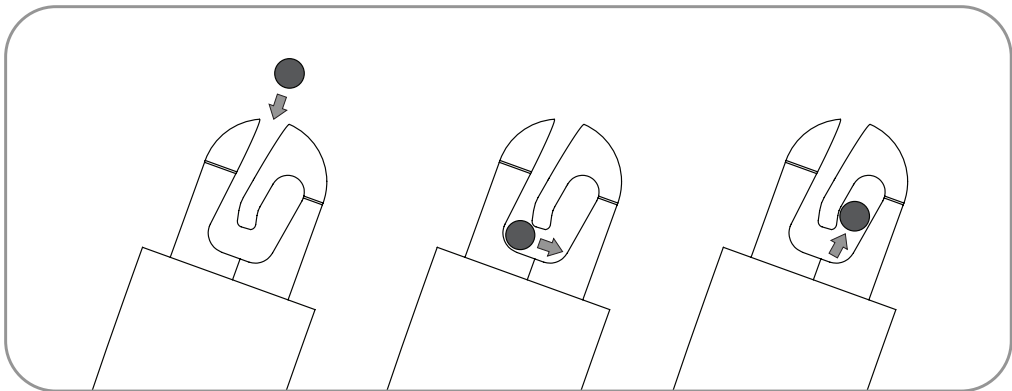
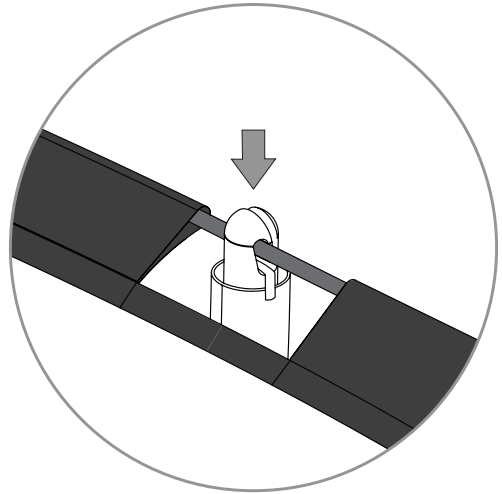
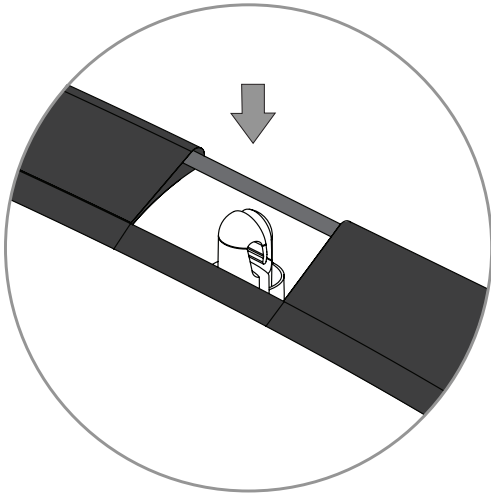


Take the net pole assembly and feed the bottom through the hole in the **Spring Pad (8)** and into the **Leg Pole (2)**. Ensure the button clip is aligned and clicks into place. Pull the **Spring Pad (8)** back over the edge of the frame.

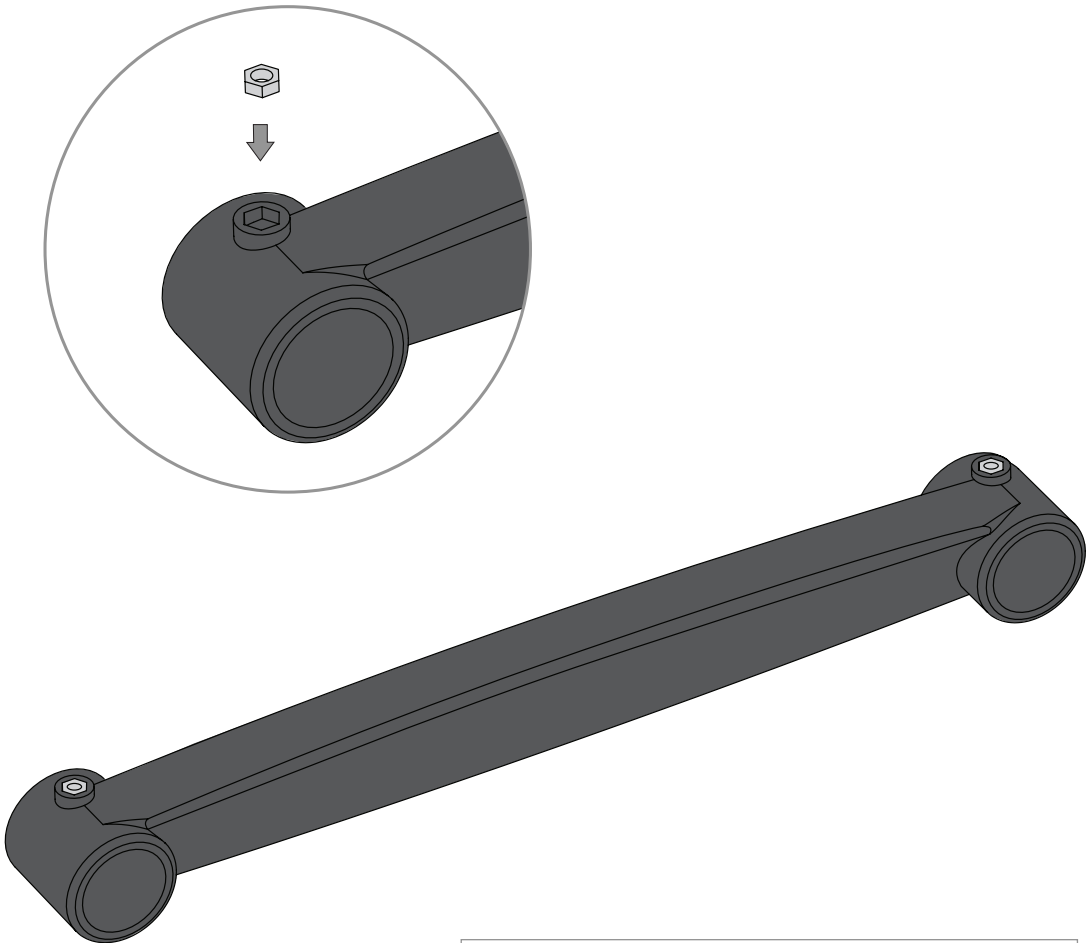
Take the **Fibreglass Net Ring Poles (12)** and thread each one through the sleeve at the top of the **Safety Net (7)**, joining the sections together as you go until there is a complete ring.



Take the fiberglass ring at the top of the **Safety Net (7)** and push it down through the plastic hooks on the top of the **Safety Net Poles (9)**. Repeat until the fiberglass ring is secured in all the **Safety Net Poles (9)**.

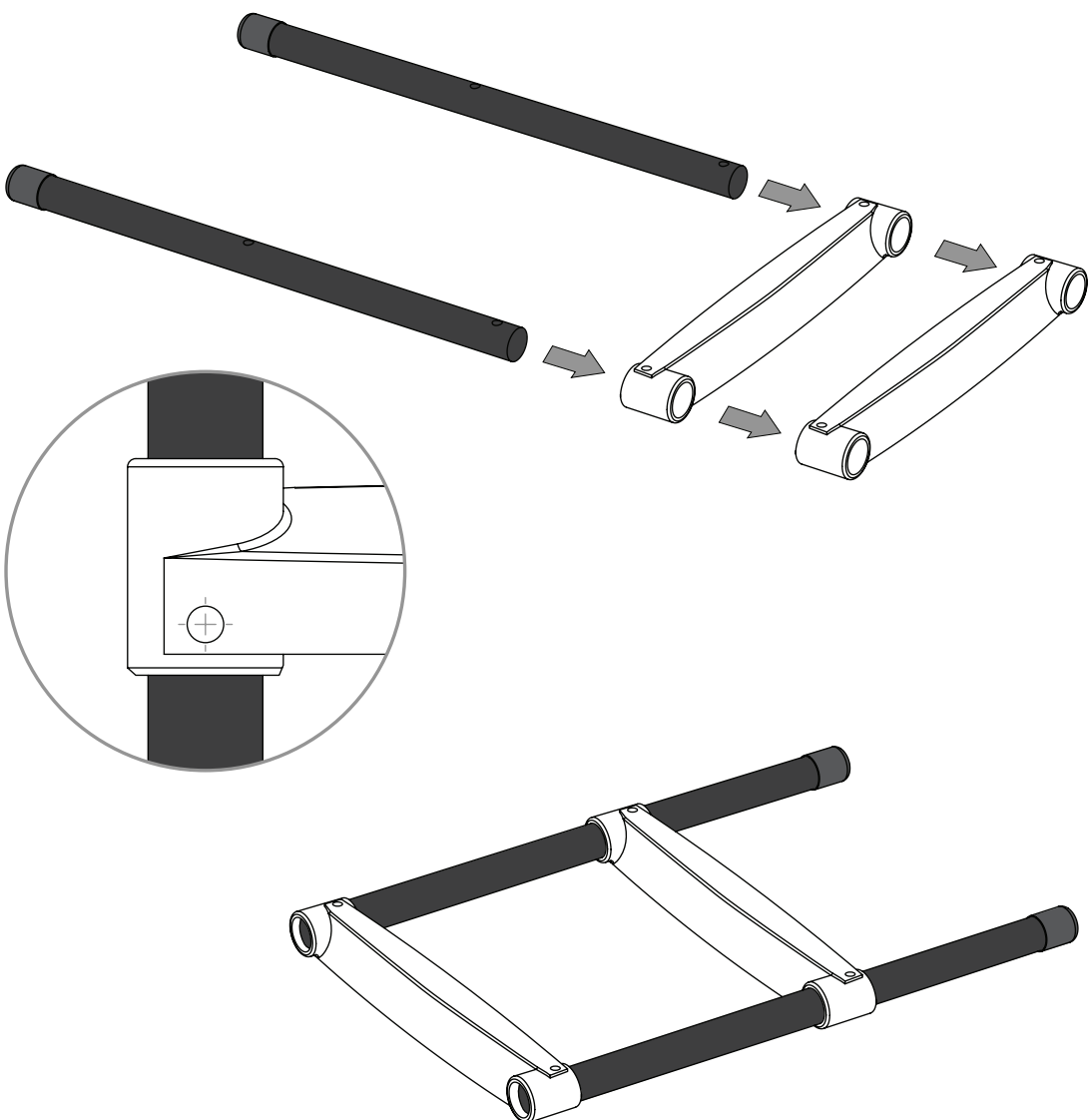


- ! Ensure the fiberglass ring is pushed down, and then
- back towards the centre of the trampoline until you hear an audible click.

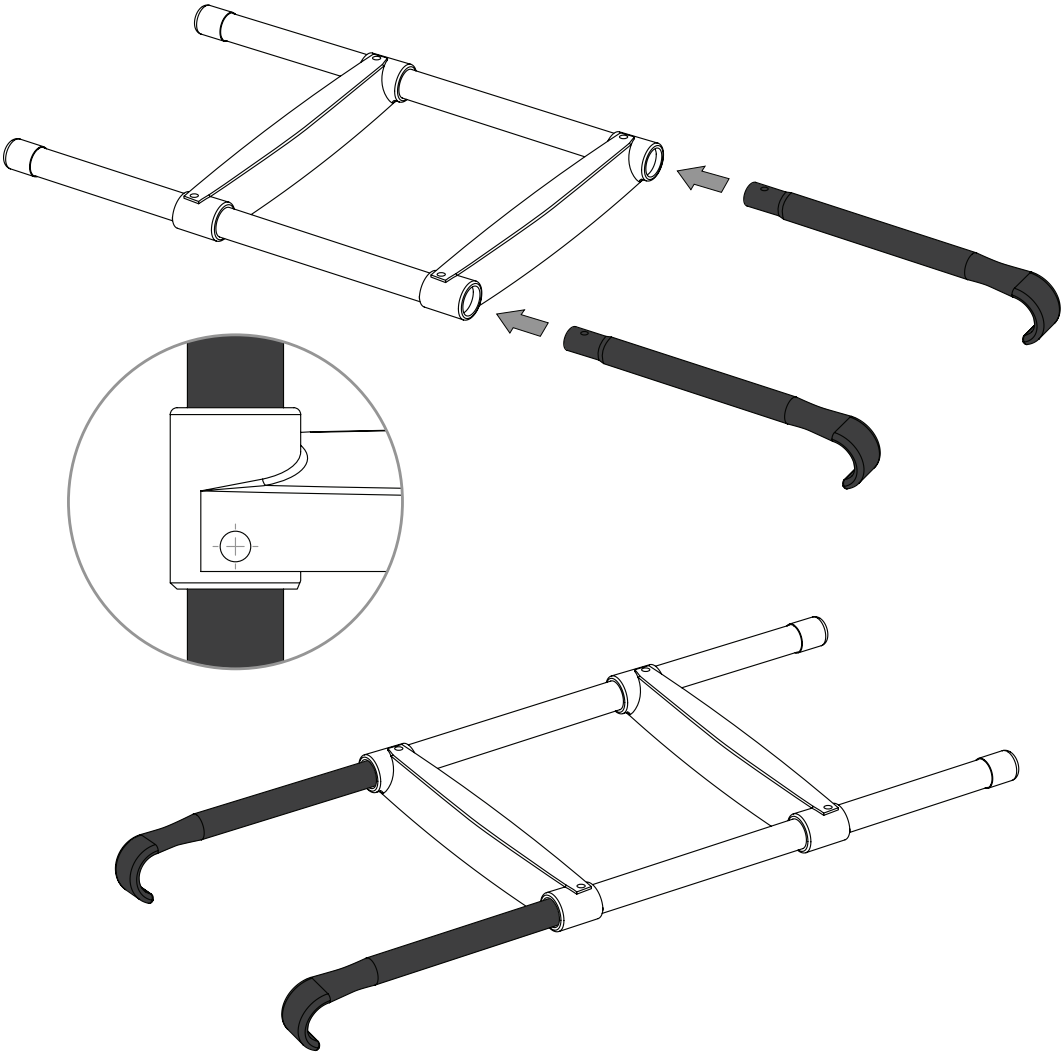


Take out the **Ladder Steps (13)** and the **Ladder Nuts (14)**. Push the four **Ladder Nuts (14)** into the hexagon recesses on the back of the two steps.

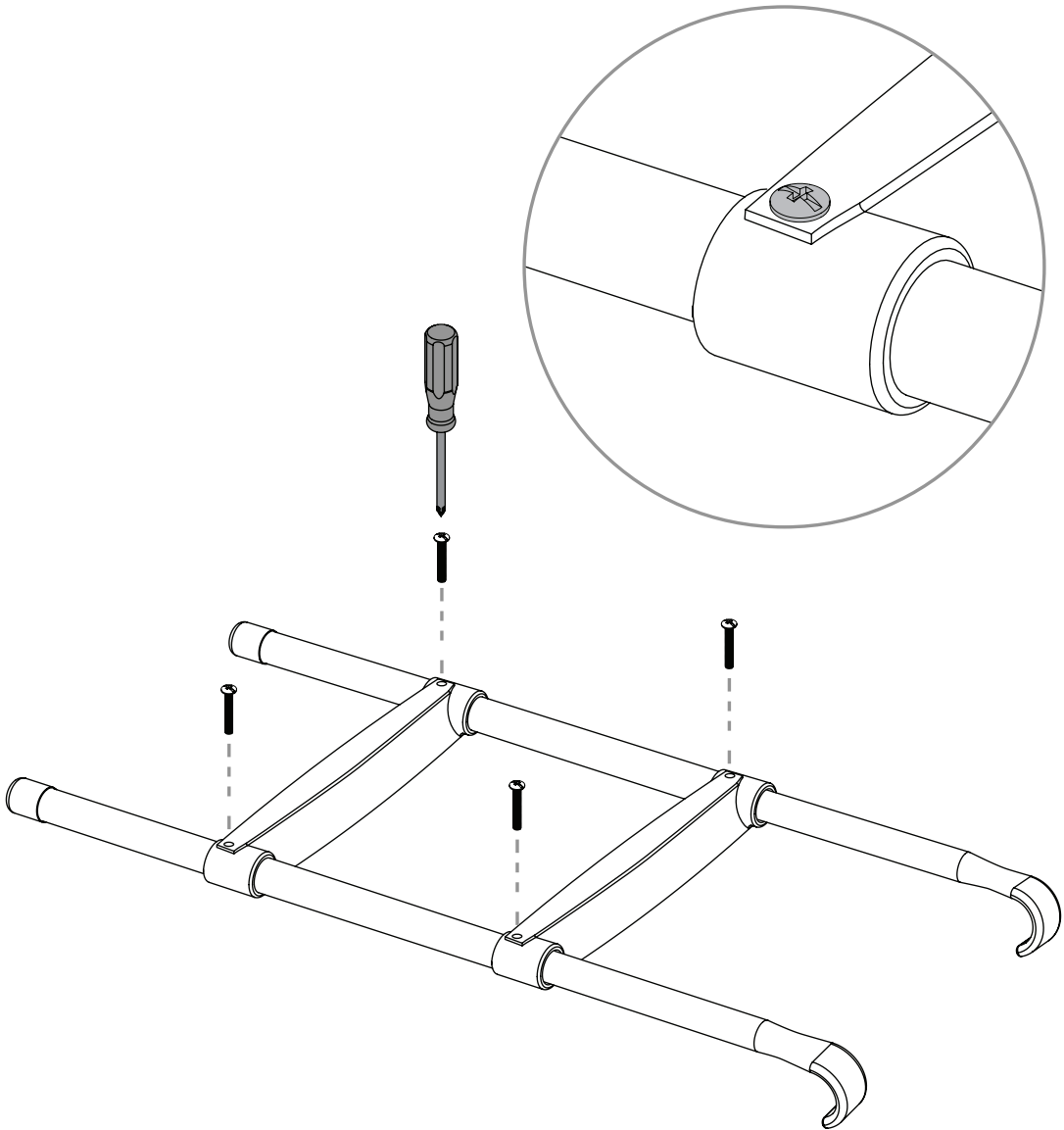
Place the **Ladder Steps (13)** with the nut side down, and thread the **Ladder Poles (15)** through until the drilled holes align with the holes in the **Ladder Steps (13)**.

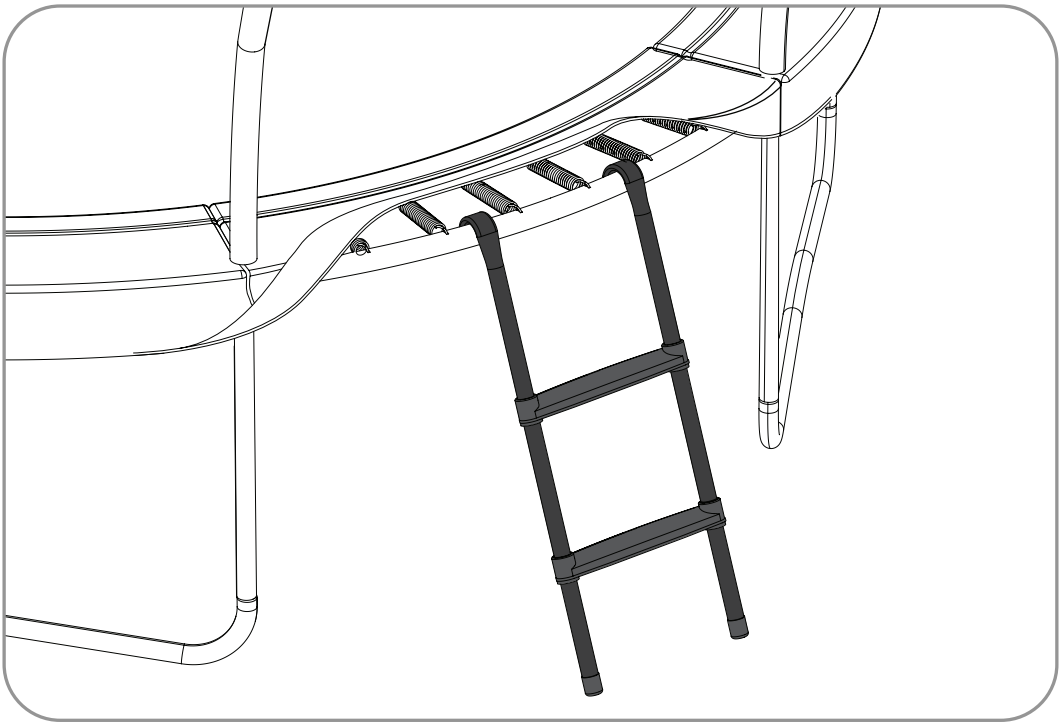


Take the **Ladder Hooks (16)** and insert into the top of the **Ladder Poles (15)**, hooks facing down and ensuring the drilled holes align with the holes in the **Ladder Poles (15)**.

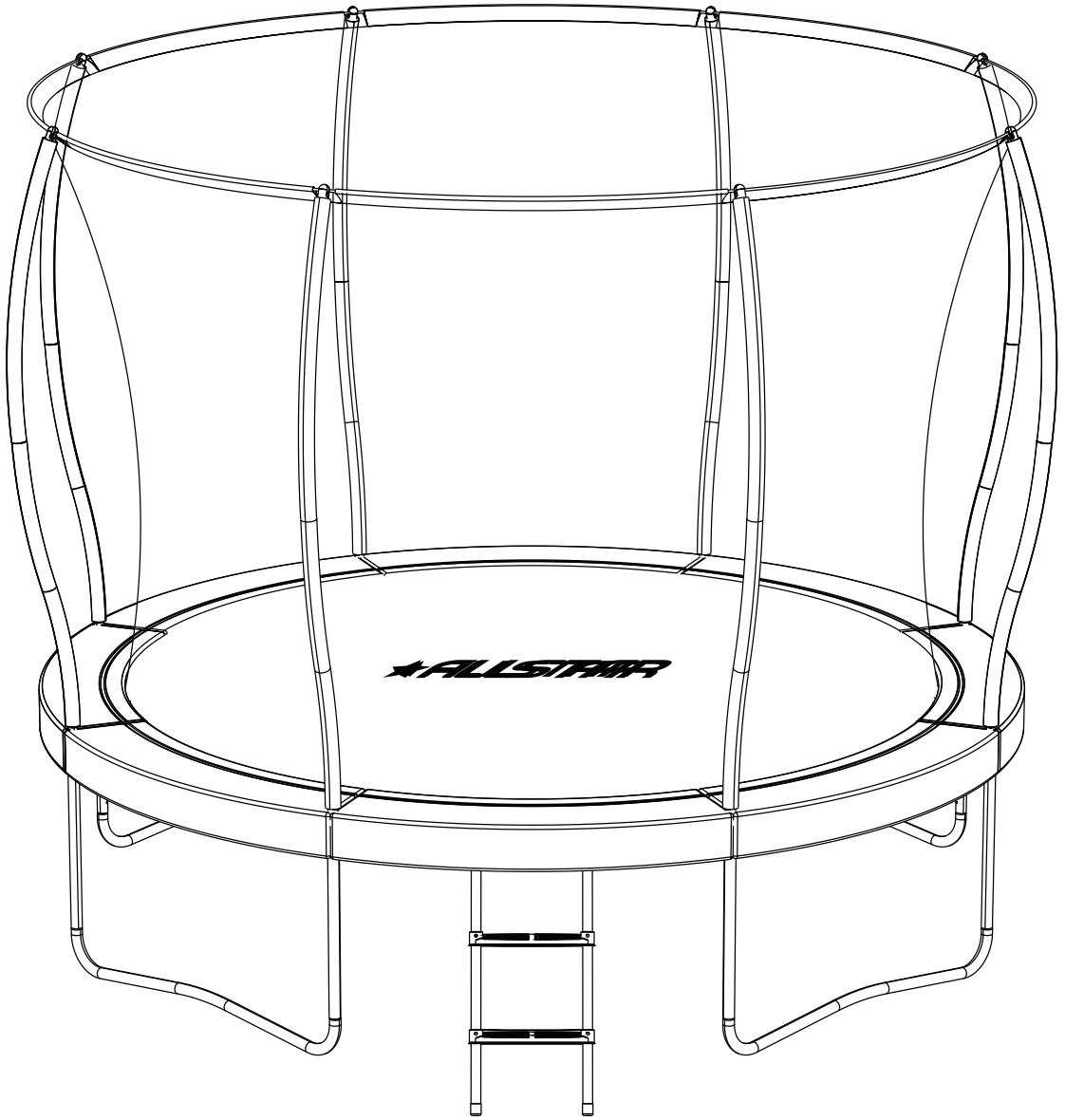


Using the supplied **Screwdriver (17)**, take the **40mm Bolts (18)** and screw them through the four holes until tight to fully assemble the ladder.





Take the fully assembled ladder and place it over the top rail on the trampoline.



Congratulations
& happy bouncing!

Warning Label Placement



Risk and Safety Warning

Jumpflex products can be dangerous, with inherent risks and hazards. As a consequence, personal injury or death may occur.

All participants assume and accept all such risks, and hereby waive the right of action against, and fully release Jumpflex for, loss, damages, personal injury or death in any way caused by, or relating to, the user's participation in such activities.

- Not for commercial use.
- For indoor/outdoor use only.
- No more than one person at a time.
- Maximum user jumping limit 220lb or 100kg.
- Use trampoline under strict adult supervision.
- Always close the net opening before jumping.
- Do not hold or bite the enclosure net.
- Not to be used by children younger than 6 years old.
- Do not attempt or allow somersaults or flips.
- Do not use in strong wind conditions and secure the trampoline.
- Do not jump onto or off of the trampoline.
- Do not use a trampoline while under the influence of drugs or alcohol.
- Always consult a physician before performing any kind of physical activity. If pregnant, do not use without the consent of your physician.
- Do not use if you have a previous head, neck, back, leg or arm injury.
- Keep objects away which could interfere with use. Remove all potentially sharp or hard objects before use, including jewellery, glasses, or hairclips."
- Maintain a clear area around, above, and under the trampoline.
- Ensure the Trampoline is assembled correctly as per the assembly guide.
- Inspect the trampoline before each use making sure the frame, springs and enclosure net are in good working condition.
- Read all instructions before using the trampoline.
- The owner and supervisors of the trampoline are responsible to make all users aware of practices specified in the Assembly and Maintenance.



Do not attempt or allow somersaults or flips.



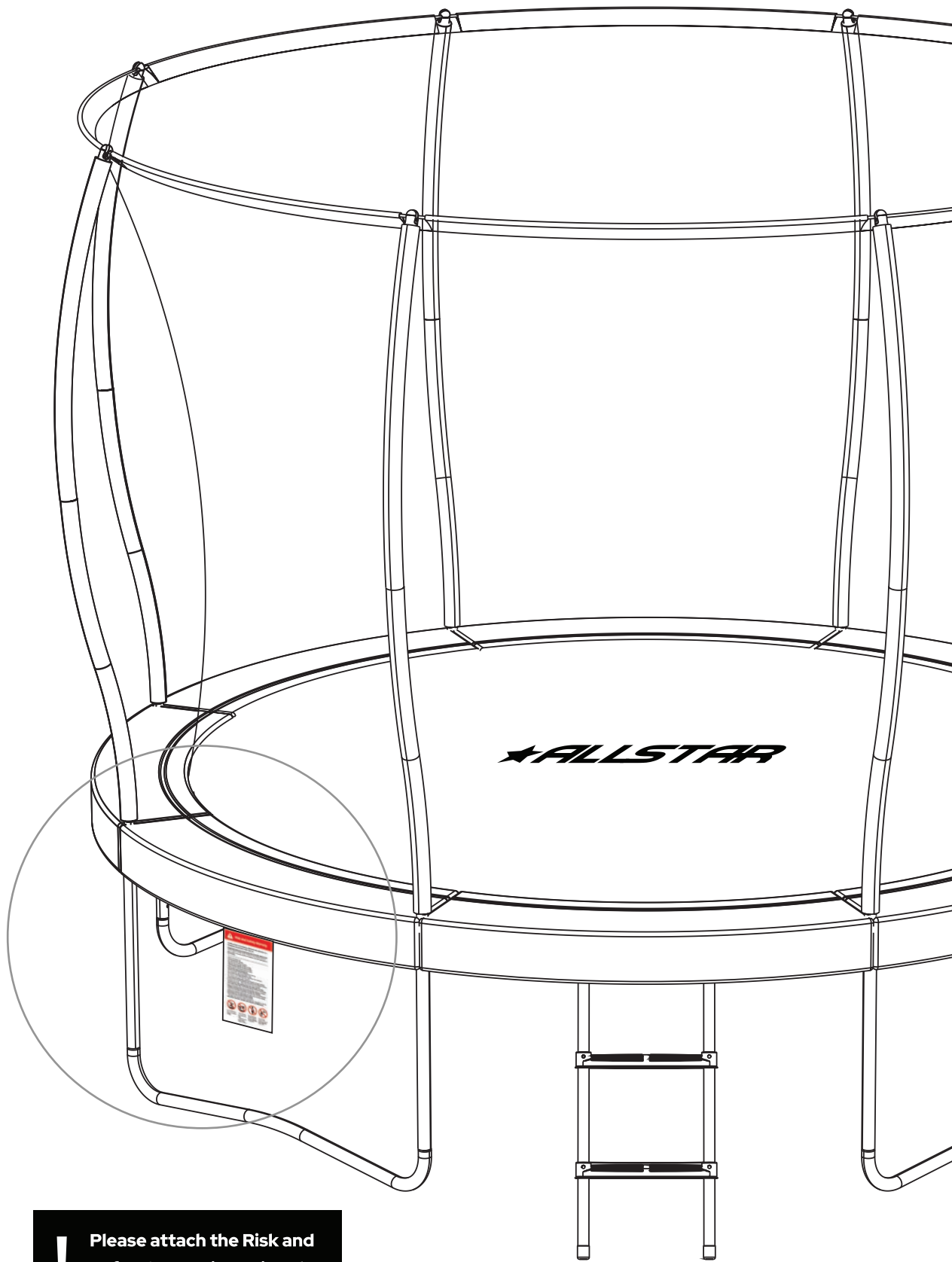
- No more than one person at a time.
- Maximum user jumping limit 220lb or 100kg.



Do not use without the consent of your physician, if pregnant.



Do not allow children less than six (6) years of age to use.



! Please attach the Risk and Safety Warning using the cable tie provided.

★ ALLSTAR

JumpFlex[®]
play for life

USA

ph. 1866 305 7238
www.jumpflex.com

Canada

ph. 1866 305 7238
www.jumpflex.ca

UK

ph. 0330 010 4301
www.jumpflex.co.uk

New Zealand

ph. 0800 586 735
www.jumpflex.co.nz

Australia

ph. 1800 586 735
www.jumpflex.com.au