

Original Owner's Manual



Standard Operating System with Hands Free Plowing

Wingman, Drive Pro, Lot Pro, Road Pro, Diamond Edge, Super-V3, Super Blade

Introduction

Meyer Products LLC has published this manual to help you get maximum performance from your Meyer Snow Plow and familiarize you with the features designed for efficiency and safety; be sure you recognize and understand them. Follow recommended operation and maintenance instructions. Failure to do so may result in voiding your warranty.

DO NOT EQUIP ANY VEHICLE WITH A SNOW PLOW WITHOUT CONSULTING MANUFACTURERS' RECOMMENDATIONS.

Vehicles with Meyer Snow Plows installed may be so equipped as to meet vehicle manufacturers' specifications and recommended options for snow plowing use. Most vehicle manufacturers insist that vehicles which are to be used for snow plowing be equipped with certain options and accessories, and it is so stated in vehicle manufacturer specifications for snow plow application.

WARNING: Deployment of an air bag while using a Meyer Snow Plow will not be covered under Meyer Products' warranty. We also recommend that, for optimum performance, vehicles used for snow plowing be equipped with:

- Four-Wheel Drive
- Minimum 60 Amp Alternator or larger
- Minimum 70 Amp Battery or larger (550 C.C.A.)
- Mud and Snow Tires
- Increased Radiator Cooling
- Automatic Transmission
- Power Brakes
- Power Steering

Under the continuing Meyer Product Improvement Plan, Meyer Products LLC reserves the right to change design details and construction without prior notice and without incurring any obligation.

Table of Contents

Warranty & Registration	2-3	Maintenance	
Safety Definitions & Warnings	4-5	General Maintenance	36-37
Safety Decals.....	6	Wingman.....	38
Pistol Grip Controller		Straight Blades.....	39
Operation	7	Super V3	40
Features.....	8	Super Blade	41
Diagnostics	8	Vehicle Maintenance	42
Identification	9	Pre-Season Maintenance	43
Mounting System		Post-Season Maintenance	44
2" Receiver Quick Link Mounting System	10-11	Storage.....	45
Drive Pro Mounting System	12-13	Warranty.....	46-47
EZ Plus Mounting System	14-15	EC Declaration of Conformity	48
Hydraulic Identification & Troubleshooting		Genuine Parts	49
E-73.....	16-19		
V-73.....	20-23		
SB-73	24-27		
Plow Component Identification			
Wingman.....	28-29		
Straight Blades.....	30-31		
Super V3	32-33		
Super Blade	34-35		

Warranty

Your operator's manual provides essential information on safety, operation, and maintenance. Failure to follow this operator's manual may result in damage to your equipment and affect your warranty.

Prior to use, please ensure your plow is registered. Registering your plow will upgrade your warranty from 2 years to 5 years*. Your dealer may have done this for you. If not, you can register your plow at...

www.meyerproducts.com/product-registration

Meyer's warranty covers manufacturing defects including welding, electrical, lights, controllers, and more.

The warranty does not cover abuse, misuse, bends, twists, paint, rust, corrosion, wear & tear, loss of time, incidentals, or similar issues.

For further information on the warranty, please review the pages 46 and 47.

All warranty work must be done by an authorized Meyer dealer. Your local dealer can be found by visiting...

www.meyerproducts.com/dealer-locator.

* Your plow must be registered to receive the extended 5 year warranty

Registration

Once registered, you will be provided with a registration ID. Meyer recommends completing the fields below for future reference.

Registration ID _____

Purchase Date _____

Purchased From _____

Plow Model _____

Moldboard Serial Number _____

Hydraulic/Black Iron Serial Number _____

Safety Definitions & Warnings

SAFETY DEFINITIONS



This is the safety alert symbol. It is used to alert you to potential personal injury hazards. Obey all safety messages that follow this symbol to avoid possible injury or death.



DANGER Indicates an imminently hazardous situation which, if not avoided, will result in death or serious injury.



WARNING Indicates a potentially hazardous situation which, if not avoided, could result in death or serious injury.




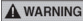

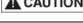
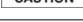



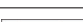




CAUTION Indicates a potentially hazardous situation which, if not avoided, may result in minor or moderate injury.



CAUTION used without the safety alert symbol indicates a potentially hazardous situation which, if not avoided, will result in property damage.

1		Never stand or ride on the plow assembly. Keep people and pets at least 25 feet away from the snow plow when in operation. Failure to comply will result in death or serious injury.
2		Always lower moldboard to the ground when snow plow is being serviced or when vehicle is not in use. Failure to comply could result in death or serious injury.
3		NEVER use the Meyer plow without first CAREFULLY reading the Owner's Manual. It is CRITICAL for your safety to ALWAYS obey EVERY warning in the manual and follow EVERY instruction EXPLICITLY. Failure to comply could result in death or serious injury.
4		The Meyer plow should be used by drivers with a valid operator's license. Keep all body parts inside the vehicle. Failure to comply could result in death or serious injury.
5		The Meyer plow should NEVER be used for ANY other purpose other than plowing snow, using the Meyer plow for other purposes could result in serious injury or death.
6		Inspect plow assembly and mounting components and fasteners for wear and damage before and after each use. Worn or damaged components or fasteners could allow the plow to drop unexpectedly. Failure to comply could result in death or serious injury.
7		Do not change plow position while traveling. You could suddenly lower the plow accidentally. Failure to comply could result in death or serious injury.
8		ALWAYS wear a seat belt when plowing snow. Hidden obstructions can cause the vehicle to stop suddenly resulting in personal injury. Failure to comply could result in death or serious injury.
9		Do not mix different kinds of hydraulic fluid. Some fluids are not compatible and may cause performance problems and product damage Failure to comply could result in death or serious injury.
10		NEVER perform any repairs or maintenance with the plow controller turned on and the plow plugged into the vehicle harness and the plow attached to the vehicle. Failure to comply could result in death or serious injury.
11		The vehicle must not be operated when overloaded. In all cases, the loaded vehicle weight, including the entire snow plow system, all aftermarket accessories, driver, passenger, options, nominal fluid levels, and cargo must not exceed the front/rear Gross Axle Weight Rating (GAWR), and total Gross Vehicle Weight Rating (GVWR). These weights ratings are specified on the safety compliance certification label on the driver's side door opening. The use of rear ballast weight may be required to prevent exceeding the front GAWR. Failure to comply could result in death or serious injury.
12		Read the Meyer Plow Owner's Manual before operating or servicing a snow plow. FOLLOW THESE INSTRUCTIONS EXPLICITLY. Failure to comply could result in death or serious injury.
13		SAFETY PRECAUTIONS should be used when Hydraulic Unit is in OPERATION and plow is in a RAISED position. Lower plow to ground when vehicle is PARKED in case of hydraulic failure. Failure to comply could result in death or serious injury.
14		Remove Plow Assembly before placing vehicle on hoist/lift. Failure to comply could result in death or serious injury.
15		Do not exceed 40 mph (60 kmh) transporting plow. Do not exceed 20 mph (32 kmh) plowing snow. Know your road conditions at all times. Keep feet clear of moldboard at all times. Failure to comply could result in death or serious injury.

Safety Definitions & Warnings

16	 WARNING	SAFETY PRECAUTIONS should be used when Hydraulic Unit is SERVICED. Hydraulic fluid under pressure can cause skin injection injury. If you are injured by hydraulic fluid, get medical attention immediately. Failure to comply could result in death or serious injury.
17	 WARNING	Vehicle exhaust contains lethal fumes. Breathing these fumes, even in low concentrations, can cause death. Never operate vehicle in an enclosed area without venting the exhaust to the outside. Failure to comply could result in death or serious injury.
18	 WARNING	Gasoline is highly flammable and gasoline vapor is explosive. Never smoke while working on vehicle. Keep all open flames away from gasoline tank and lines. Wipe up any spilled gasoline immediately. Failure to comply could result in death or serious injury.
19	 CAUTION	Flag obstructions that are under snow to prevent damage to product or property. Failure to comply may result in minor or moderate injury.
20	 CAUTION	A ballast weight may be required to prevent front GAWR overloading. If required, ballast must be securely attached at least 24 inches behind the rear axle. Failure to comply will result in property damage.
21	 CAUTION	Batteries normally produce explosive gases which can cause personal injury. Therefore, do not allow flames, sparks or lit tobacco to come near the battery. When charging or working near a battery, always cover your face and protect your eyes, and also provide ventilation. Batteries contain sulfuric acid which burns skin, eyes and clothing. Failure to comply will result in property damage.
22	 CAUTION	See your Meyer plow Authorized Distributor/Web site for specific vehicle application recommendations before installation. Failure to comply will result in property damage.
23	 CAUTION	Installation of a snow plow may affect your new vehicle warranty. For more information consult your Vehicle Owner's Manual / Vehicle Dealer. Failure to comply will result in property damage.
24	 CAUTION	Warranty does not apply to a Meyer plow product which has been negligently or improperly assembled or installed. Failure to comply will result in property damage.
25	 CAUTION	CAUTION: To avoid harm to vehicles electrical system always disconnect battery before beginning installation. DO NOT BURN holes or WELD vehicle frame. This may cause frame failure. Failure to comply will result in property damage.
26	 CAUTION	A driver's first responsibility is the safe operation of the vehicle and snow plow. The most important thing you can do to prevent a crash is to avoid distractions and pay attention to the road. Wait until it is safe to operate mobile communication equipment such as cell phones, two way radios, etc. Failure to comply will result in property damage.
27	 CAUTION	Front end wheel alignment and headlight aim may require readjustment after installation of equipment, and is the responsibility of the equipment installer. Failure to adjust front wheel alignment may cause premature uneven tire wear. If required, reset to chassis manufacture's specifications. Failure to comply will result in property damage.
28	 CAUTION	The Meyer Products' electrical and hydraulic system contains several automotive style fuses. If a problem should occur and fuse replacement is necessary, the replacement fuse must be of the same type and amperage rating as the original. Installing a fuse with a higher rating can damage the system and could cause a fire.

SAFETY DEFINITIONS



This is the safety alert symbol. It is used to alert you to potential personal injury hazards. Obey all safety messages that follow this symbol to avoid possible injury or death.



DANGER Indicates an imminently hazardous situation which, if not avoided, will result in death or serious injury.



WARNING Indicates a potentially hazardous situation which, if not avoided, could result in death or serious injury.



CAUTION Indicates a potentially hazardous situation which, if not avoided, may result in minor or moderate injury.



CAUTION used without the safety alert symbol indicates a potentially hazardous situation which, if not avoided, will result in property damage.

Safety Decals



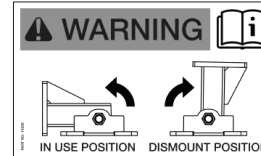
Speed Warning

In addition to following local speed laws, it is important to understand the additional weight of a plow can increase the time it takes your vehicle to stop. DO NOT exceed 40 mph (64 kmh) while transporting the plow or 20 mph (32 kmh) while plowing. Lower speeds accordingly when faced with additional restrictions due to the elements, traffic, or otherwise.



Pinch Point

A snow plow has many moving parts. Please keep hands and feet clear while operating the plow.



SV-3

SV-3 plows are equipped with a flip-up support bracket to be utilized when dismantling the plow. This support bracket needs to be in the UP position prior to removing the plow from the vehicle to prevent the lift frame falling forward. The support bracket must be in the DOWN position while the plow is in use.

Pistol Grip Controller Operation

The snow plow should only be in operation when the vehicle ignition switch and the controller are in the "ON" position. Care should be taken to insure that the controller is kept dry and free from moisture during normal operation. When operating the snow plow lights the vehicle headlight switch must be turned to the park position so the vehicle headlights and snow plow lights are not on at the same time.

By tapping the ON/OFF button once, it will turn ON the snow plow lights low beam only. The plow will be OFF. The ON/OFF button will illuminate AMBER. By tapping the ON/OFF button again, it will turn OFF the plow lights and the controller illumination.

When the ON/OFF button is continuously depressed for more than 1 second, it will turn ON the plow controller and the low beams of the snow plow lights. Tapping the ON/OFF button again will turn on the high beams of the snow plow lights and the MONITOR light will turn BLUE to show the plow lights are in the high beam position.

The ON/OFF button, when tapped, will toggle between low and high beam for the plow lights. Note that the plow lights will not turn on if the vehicle's headlights are on.

By continuously depressing the ON/OFF button a second time for more than 1 second, it will turn OFF the plow controller and the GREEN controller illumination. Plow lights will turn off once the vehicle ignition is turned off.

The controller buttons will illuminate GREEN showing the location of the individual buttons for the functions of the snow plow.

Lowering of the snow plow in small increments at a time is possible by tapping the down arrow in short intervals. Holding down the down arrow will activate a float light located in the upper right corner of the controller. This light indicates the snow plow is now in the Float position. In this position the snow plow will be able to follow the contour of the road and the snow plow can also be angled to the left or right. Touching the up arrow automatically cancels the Float position.

If the directional button, while angling or raising the snow plow, is pressed for more than six seconds the operation will be cancelled. This feature eliminates unnecessary amp draw from the vehicle charging system.

By double tapping any button quickly, the controller will automatically move the plow to that position then stop.

Reset the controller is accomplished by turning off the vehicle ignition. If the monitor light is still illuminated after attempts to reset the controller have failed, contact your nearest authorized Meyer dealer for repairs.

Pistol Grip Controller Features

Hands-Free Plowing or ALM/ARM

When activated, the Hands-Free Plowing (HFP) mode uses the vehicle's shift lever to control the up/down movement of the moldboard. Pressing the HFP button on the controller will toggle you through: On/Off, Back-drag Mode (default mode when active), and Forward Plowing Mode.

Back-dragging Mode or ALM

When the controller is on and you are in the conventional plow control mode, pressing the HFP button will activate Hands-Free Plowing (HFP). The default mode for HFP is the Back-drag Mode. In the Back-drag Mode, the moldboard will automatically lower when you put the vehicle in reverse. Put the vehicle in drive to automatically raise the moldboard.

Forward Plowing Mode or ARM

To activate the Forward Plowing Mode when HFP is already on, press the HFP button once. The moldboard will automatically lower when you put the truck into drive. When you reach the end of a run, the moldboard will automatically raise when you put the vehicle in reverse.

To turn the HFP feature off, press the HFP button until you see the HFP light go off.

Pistol Grip Controller Diagnostics

Self Diagnosing

This switch is self diagnosing. The monitor light is located in the upper left corner next to the float light of the control switch. When the monitor light turns on and begins to flash the control switch is sensing a problem with a specific coil/wire color on the hydraulic unit.

The controller offers diagnostics imprinted on the backside of the controller, which can be seen below, for easy identification of which solenoid or coil may be creating the error.

Use the chart below to determine the correlation between light flashes and respective coil/wire color on the hydraulic unit.

Continuous	Motor Solenoid
1 Light Flash	Red
2 Light Flashes	Black
3 Light Flashes	Green
4 Light Flashes	Yellow
5 Light Flashes	Light Blue
6 Light Flashes	Purple

Pistol Grip Controller Identification



Straight Blade Controller

Provides up, down, with left and right angling using the directional pad.

Includes models: Wingman, Drive Pro, Lot Pro, Road Pro, and Diamond Edge



Super - V3 Controller

Provides up, down, with left and right angling using the directional pad.

Wings can be extended or retracted individually by pressing the L and R buttons labeled EXT and RETR.

To Scoop or V both wings simultaneously, press the Scoop or V buttons respectively.

Includes models: Super-V3



Super Blade Controller

Provides up, down, with left and right angling using the directional pad.

Wings can be extended or retracted individually by pressing the L and R buttons labeled EXT and RETR.

To extend or retract both wings simultaneously, press the EXT or RETR buttons respectively.

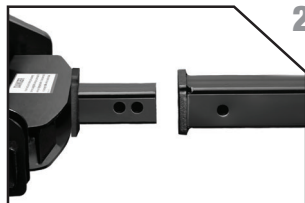
Includes models: Super Blade

2" Receiver Quick Link Mounting System – Mount/ON

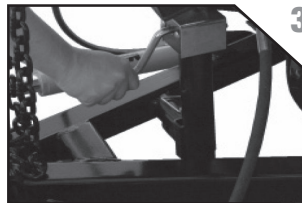
Note: Images may vary based on model



1. Push the plow towards the vehicle using the wheels.



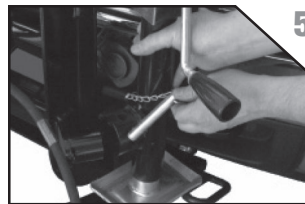
2. Align the 2" receiver and mount the plow using the pin to lock it in place.



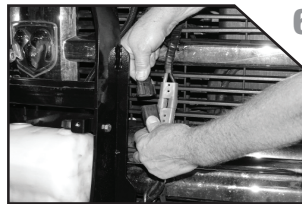
3. Adjust crankstand until it is no longer in contact with the ground.



4. Remove crankstand from a-frame.



5. Attach crankstand to lift frame.



6. Remove weather covers and connect both electrical plugs.

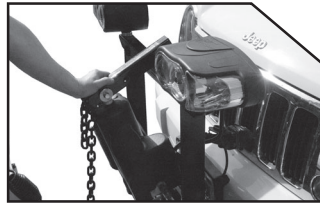
2" Receiver Quick Link Mounting System – Dismount/OFF

Note: Images may vary based on model



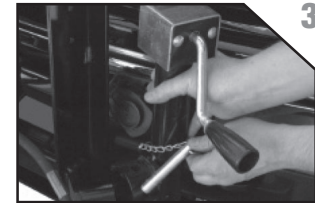
1

1. Press down button until Float light turns Blue/on.



2

2. Push lift arm down until there is a little slack in the chain.



3

3. Remove crankstand from lift frame.



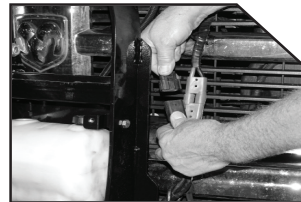
4

4. Attach crankstand to a-frame..



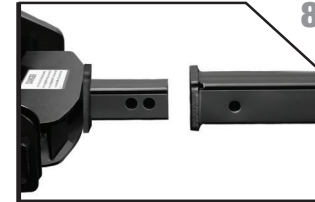
5

5. Adjust crankstand until crankstand comes into contact with the ground and then turn 1 to 2 revolutions.



7

7. Disconnect both electrical plugs and install weather cover on both ends.



8

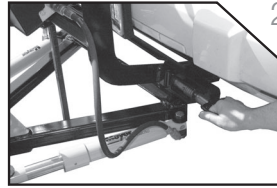
8. Pull the pin from the receiver hitch to unlock the mount and back the vehicle away from the plow.

Drive Pro Mounting System – Mount/ON

Note: Images may vary based on model



1. Pull vehicle into plow assembly and push plow assembly forward an inch or two.



2. Twist handle on driver side to disengage the notch that locks open the pins.



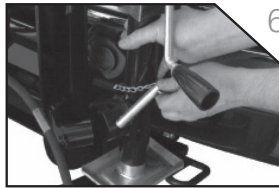
3. Push back on lift frame until pins spring thru mount on vehicle.



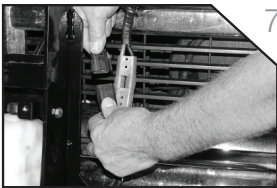
4. Adjust crankstand until it is no longer in contact with the ground.



5. Remove crankstand from a-frame.



6. Attach crankstand to lift frame.



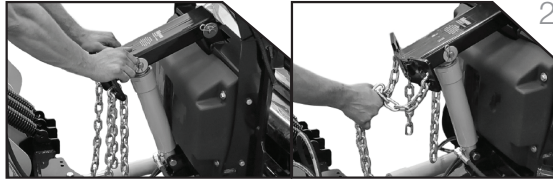
7. Remove weather covers and connect both electrical plugs.

Drive Pro Mounting System – Dismount/OFF

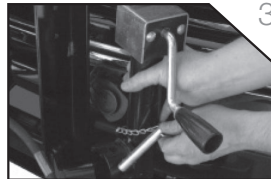
Note: Images may vary based on model



1. Press down button until Float light turns Blue/on.



2. Push lift arm down until there is a little slack in the chain.



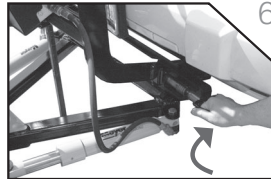
3. Remove crankstand from lift frame.



4. Attach crankstand to a-frame..



5. Adjust crankstand until crankstand comes into contact with the ground and then turn 1 to 2 revolutions.



6. Pull handle on driver's side to disengage pins then twist until the notch locks the pins in the open position.



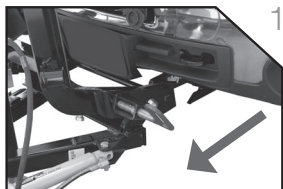
7. Disconnect both electrical plugs and install weather cover on both ends.



8. Back vehicle away from plow assembly.

EZ Plus Mounting System – Mount/ON

Note: Images may vary based on model



1. Pull vehicle into plow assembly and push plow assembly forward an inch or two.



2. Twist handles on both sides to engage spring loaded pins.



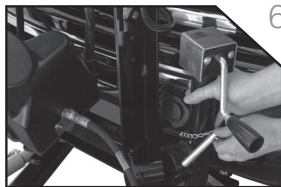
3. Push back on lift frame until pins spring thru mount on vehicle.



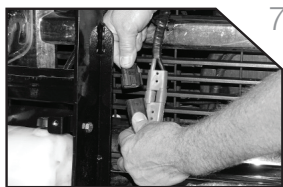
4. Adjust crankstand until it is no longer in contact with the ground.



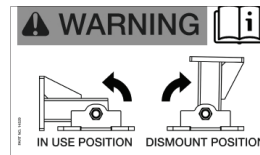
5. Remove crankstand from A-frame.



6. Attach crankstand to lift frame.



7. Remove weather covers and connect both electrical plugs.

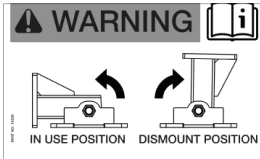


NOTE: FOR SV3 PLOWS ONLY
Please note that the SV3 A-Frame is equipped with a flip-up support bracket to be utilized when dismounting the plow. This support bracket needs to be in the UP position prior to removing the plow from the vehicle to prevent the lift frame from falling forward. The support bracket must be in the DOWN position while the plow is in use.



EZ Plus Mounting System – Dismount/OFF

Note: Images may vary based on model



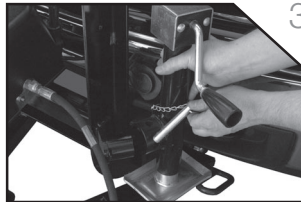
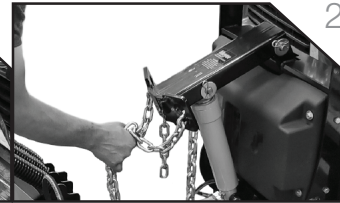
NOTE: FOR SV3 PLOWS ONLY
Please note that the SV3 A-Frame is equipped with a flip-up support bracket to be utilized when dismantling the plow. This support bracket needs to be in the UP position prior to removing the plow from the vehicle to prevent the lift frame from falling forward. The support bracket must be in the DOWN position while the plow is in use.



1. Press down button until Float light turns Blue/on.



2. Push lift arm down until there is a little slack in the chain.



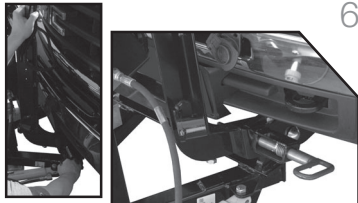
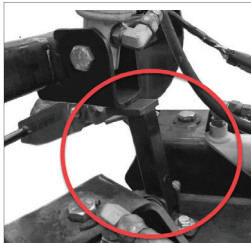
3. Remove crankstand from lift frame.



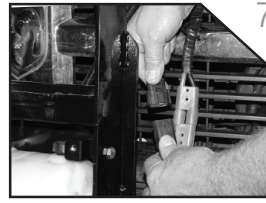
4. Attach crankstand to A-frame.



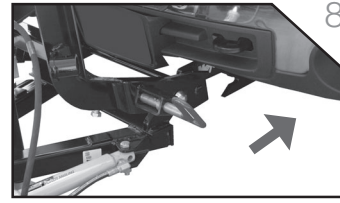
5. Adjust crankstand until crankstand comes into contact with the ground, then turn 1 to 2 revolutions.



6. While slightly tilting the lift frame towards vehicle, pull handles on either side to disengage pins then twist until the leg locks the pin in the open position.



7. Disconnect both electrical plugs and install weather cover on both ends.



8. Back vehicle away from plow assembly.

SAFETY PRECAUTIONS
SEE PAGES 4-5 FOR DEFINITIONS

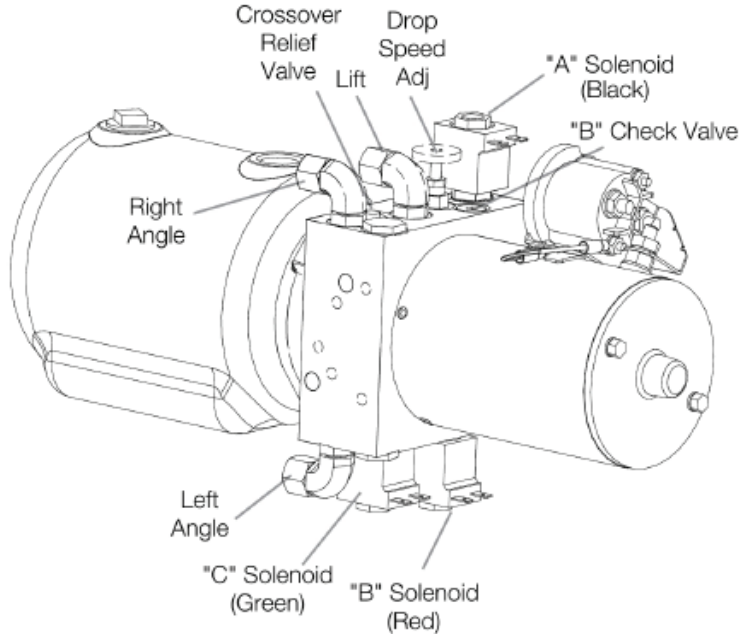
⚠ DANGER 6

⚠ WARNING

⚠ CAUTION

CAUTION 27

E-73 HYDRAULIC COMPONENT IDENTIFICATION



E-73	Raise	Lower	Angle Right	Angle Left
Motor	X		X	X
A Valve		X		
B Valve	X			
C Valve			X	

E-73 Hydraulics Testing Tips

Before any troubleshooting is started, make certain the following conditions are met.

1. The moldboard is pointing straight ahead. If the unit is disabled, this can often be done by connecting the hose from the left cylinder into the right cylinder and pushing the snow plow by hand.
2. Check to ensure the power angling cylinders are installed correctly.
3. The solenoid coils must be on their proper valve: the “C”- coil (green and brown wire), the “B”-coil (red and brown wire) and the “A” coil (black and brown wire).
4. The electrical installation must have been made according to installation instructions supplied by Meyer Products LLC.

Testing

Many tests do not require removing the Power Unit from the vehicle. However, more thorough testing can be done by using the Meyer Test Stand (available at Authorized Servicing Dealers) which allows direct pressure and Amperage readings.

1. Use a screwdriver or other small tool to check for magnetism of solenoid coils “A”, “B” & “C”. Place the tool on the side of the coil and have an assistant operate the switch. You should feel magnetic attraction.
2. Use a test light or volt meter to determine whether there is power at harness or switches. (The wire must be probed)
3. When determining Amp draw of motor, always obtain the highest value possible, i.e., at maximum raise or angle with motor running.
4. Proper rotation for motor is indicated by an arrow on the top of the pump.
5. The pump shaft (all models) of a good pump can be turned smoothly using two fingers. If it cannot be turned easily, the pump is too tight and must be replaced.
6. Pump pressure can be measured at an angle hose (note pressure at full angle) or in the pressure filter port (an adapter is necessary for the filter port).
7. If hydraulic system is contaminated with oil or a substance other than Meyer Hydraulic Fluid, it is recommended that the hydraulic unit, power angling rams and hoses be drained and flushed clean with Meyer M-2 Flush Fluid. The system should then be refilled with Meyer M-1 Fluid.

E-73 Hydraulics Troubleshooting Guide

These charts are intended to be used as an aid in diagnosing Meyer Hydraulic Power Units. They are not a substitute for factory training and experience. Be certain to read the General Information and Testing Tips sections before attempting any troubleshooting. Additional detailed information as well as all electrical schematics may be found in Service Manuals at www.meyerproducts.com.

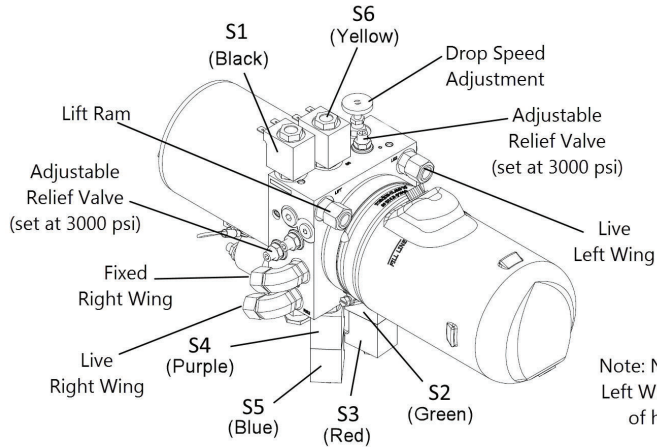
CONDITION	POSSIBLE CAUSE	CORRECTION
Plow does not lift or lifts slowly - motor operates	<ol style="list-style-type: none"> 1. Low hydraulic fluid level. 2. Discharged battery. 3. Leaking or open "A" cartridge. 4. No current to "B" coil. (red and brown wire) 5. Inoperative "B" coil. (red and white or black wire) 6. Malfunctioning motor. 7. Malfunctioning pump. 	<ol style="list-style-type: none"> 1. Add fluid to proper level 2. Recharge battery. 3. Clean or replace "A" cartridge. 4. Locate malfunction and repair. 5. Replace "B" coil. (red and brown wire) 6. Repair or replace motor. 7. Replace pump.
Plow does not angle right - motor operates	<ol style="list-style-type: none"> 1. Mechanical bind or interference. 2. No current to "C" coil. (green and white or black wire) 3. Inoperative "C" coil. (green and white or black wire) 4. Inoperative "C" cartridge. 5. Leaking crossover relief valve. 	<ol style="list-style-type: none"> 1. Eliminate mechanical bind or interference. 2. Locate malfunction and repair. 3. Replace "C" coil. (green and brown wire) 4. Clean or replace "C" cartridge. 5. Replace crossover relief valve.
Plow does not angle left - motor operates	<ol style="list-style-type: none"> 1. Mechanical bind or interference. 2. Malfunctioning coupler. (if equipped) 3. Leaking crossover relief valve. 	<ol style="list-style-type: none"> 1. Eliminate mechanical bind or interference. 2. Repair or replace coupler. 3. Replace crossover relief valve.
Plow does not angle - motor operates	<ol style="list-style-type: none"> 1. Mechanical bind or interference. 2. Leaking crossover relief valve. 	<ol style="list-style-type: none"> 1. Eliminate mechanical bind or interference. 2. Replace crossover relief valve.

E-73 Hydraulics Troubleshooting Guide

These charts are intended to be used as an aid in diagnosing Meyer Hydraulic Power Units. They are not a substitute for factory training and experience. Be certain to read the General Information and Testing Tips sections before attempting any troubleshooting. Additional detailed information as well as all electrical schematics may be found at www.meyerproducts.com.

CONDITION	POSSIBLE CAUSE	CORRECTION
Plow will not hold in angled position	<ol style="list-style-type: none"> 1. Air in cylinders and hoses. 2. Leaking dual pilot check valve. 3. Leaking crossover relief valve. 4. Crossover relief valve opening at too low a pressure. 	<ol style="list-style-type: none"> 1. Bleed cylinders and hoses. 2. Replace pilot check valve. 3. Replace crossover relief valve. 4. Replace crossover relief valve.
Motor does not operate	<ol style="list-style-type: none"> 1. Discharged or defective battery. 2. Loose/corroded electrical connections. 3. Inoperative starter solenoid. 4. Malfunctioning control switch. 5. Malfunctioning motor. 	<ol style="list-style-type: none"> 1. Recharge or replace battery. 2. Clean and tighten electrical connections. 3. Replace starter solenoid. 4. Replace control switch. 5. Repair or replace motor.
Plow does not lower	<ol style="list-style-type: none"> 1. No current to "A" coil. (black and brown wire) 2. "A" cartridge jammed in closed position. 3. Inoperative "A" coil. (black and brown wire) 	<ol style="list-style-type: none"> 1. Locate malfunction and repair. 2. Clean or replace "A" cartridge. 3. Replace "A" coil. (black and brown wire)
Plow creeps down	<ol style="list-style-type: none"> 1. Leaking "A" cartridge. 2. Leaking "A" cartridge O-ring. 3. Leaking "B" check valve. 4. Leaking Ram Packing Cup. 5. Leaking O-ring at bottom of lift cylinder. 	<ol style="list-style-type: none"> 1. Clean or replace "A" cartridge. 2. Replace O-ring. 3. Clean or replace "B" check valve. 4. Replace Ram Packing Cup. 5. Replace O-ring.

V-73 HYDRAULIC COMPONENT IDENTIFICATION



V73	Raise	Lower	Left	Left Extend	Left Retract	Right	Right Extend	Right Retract	Vee	Scoop
Motor	X		X	X	X	X	X	X	X	X
S1		X								
S2				X		X				X
S3			X		X				X	X
S4						X		X	X	
S5			X				X			
S6	X									

Note: Not shown, Fixed Left Wing on back side of hydraulic unit

V-73 Hydraulics Testing Tips

Before any troubleshooting is started, make certain the following conditions are met.

1. The moldboard is pointing straight ahead. If the unit is disabled, this can often be done by connecting the hose from the left cylinder into the right cylinder and pushing the snow plow by hand.
2. Check to ensure the power angling cylinders are installed correctly.
3. The solenoid coils must be on their proper valve: the “C”- coil (green and brown wire), the “B”-coil (red and brown wire) and the “A” coil (black and brown wire).
4. The electrical installation must have been made according to installation instructions supplied by Meyer Products LLC.

Testing

Many tests do not require removing the Power Unit from the vehicle. However, more thorough testing can be done by using the Meyer Test Stand (available at Authorized Servicing Dealers) which allows direct pressure and Amperage readings.

1. Use a screwdriver or other small tool to check for magnetism of solenoid coils (S1, S2, S3, S4, S5, and S6). Place the tool on the coil and have an assistant operate the switch. You should feel magnetic attraction.
2. Use a test light or volt meter to determine whether there is power at harness or V-73 controller.
3. When determining Amp draw of motor, always obtain the highest value possible, i.e., at maximum raise or angle with motor running.
4. Proper rotation for motor is indicated by an arrow on the top of the pump.
5. The pump shaft (all models) of a good pump can be turned smoothly using two fingers. If it cannot be turned easily, the pump is too tight and must be replaced.
6. Pump pressure can be measured at an angle hose (note pressure at full angle) or in the pressure filter port (an adapter is necessary for the filter port).
7. If hydraulic system is contaminated with oil or a substance other than Meyer Hydraulic Fluid, it is recommended that the hydraulic unit, power angling rams and hoses be drained and flushed clean with Meyer M-2 Flush Fluid. The system should then be refilled with Meyer M-1 Fluid.

V-73 Hydraulics Troubleshooting Guide

These charts are intended to be used as an aid in diagnosing Meyer Hydraulic Power Units. They are not a substitute for factory training and experience. Be certain to read the General Information and Testing Tips sections before attempting any troubleshooting. Additional detailed information as well as all electrical schematics may be found in Service Manuals at www.meyerproducts.com.

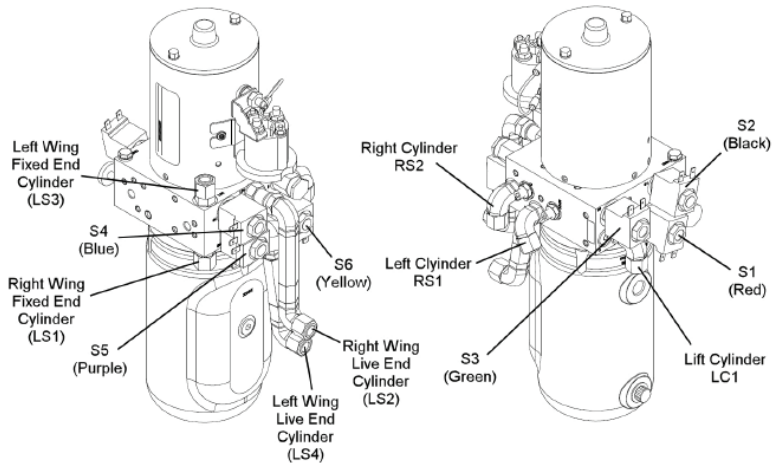
CONDITION	POSSIBLE CAUSE	CORRECTION
Plow does not lift or lifts slowly - motor operates.	<ol style="list-style-type: none"> 1. Low hydraulic fluid level. 2. Discharged battery. 3. Bad "S6" cartridge. 4. No current to "S6" coil. 5. Malfunctioning motor. 6. Malfunctioning pump. 	<ol style="list-style-type: none"> 1. Add fluid to proper level 2. Recharge battery. 3. Replace "S6" cartridge. 4. Locate malfunction and repair. 5. Repair or replace motor. 6. Replace pump.
Plow does not lower.	<ol style="list-style-type: none"> 1. Bad "S1" cartridge. 2. No current to "S1" coil. 3. Bad "S1" coil. 	<ol style="list-style-type: none"> 1. Replace "S1" cartridge. 2. Locate malfunction and repair. 3. Replace "S1" coil.
Plow does not left retract, angle left, vee or scoop.	<ol style="list-style-type: none"> 1. Bad "S3" cartridge. 2. No current to "S3" coil. 3. Bad "S3" coil. 	<ol style="list-style-type: none"> 1. Replace "S3" cartridge. 2. Locate malfunction and repair. 3. Replace "S3" coil.
Plow does not right retract, angle right or vee.	<ol style="list-style-type: none"> 1. Bad "S4" cartridge. 2. No current to "S4" coil. 3. Bad "S4" coil. 	<ol style="list-style-type: none"> 1. Replace "S4" cartridge. 2. Locate malfunction and repair. 3. Replace "S4" coil.

V-73 Hydraulics Troubleshooting Guide

These charts are intended to be used as an aid in diagnosing Meyer Hydraulic Power Units. They are not a substitute for factory training and experience. Be certain to read the General Information and Testing Tips sections before attempting any troubleshooting. Additional detailed information as well as all electrical schematics may be found at www.meyerproducts.com.

CONDITION	POSSIBLE CAUSE	CORRECTION
Plow does not left extend or angle right	<ol style="list-style-type: none">1. Bad "S2" cartridge.2. No current to "S2" or coil.3. Bad "S2" or coil.	<ol style="list-style-type: none">1. Replace "S2" cartridge.2. Locate malfunction and repair.3. Replace "S2" or coil.
Plow does not right extend or angle left	<ol style="list-style-type: none">1. Bad "S5" cartridge.2. No current to "S5" coil.3. Bad "S5" coil.	<ol style="list-style-type: none">1. Replace "S5" cartridge.2. Locate malfunction and repair.3. Replace "S5" coil.

SB-73 Hydraulic Component Identification



V73	Raise	Lower	Left	Left Extend	Left Retract	Right	Right Extend	Right Retract	Both Extend	Both Retract
Motor	X		X	X	X	X	X	X	X	X
S1					X	X		X		X
S2		X								
S3	X									
S4				X	X				X	X
S5							X	X	X	X
S6			X			X				

SB-73 Hydraulic Troubleshooting

Before any troubleshooting is started, make certain the following conditions are met.

1. The moldboard is pointing straight ahead. If the unit is disabled, this can often be done by connecting the hose from the left cylinder into the right cylinder and pushing the snow plow by hand.
2. Check to ensure the power angling cylinders are installed correctly.
3. The solenoid coils must be on their proper valve; see the chart to the right.
4. The electrical installation must have been made according to installation instructions supplied by Meyer Products LLC.

TESTING

Many tests do not require removing the Power Unit from the vehicle. However, more thorough testing can be done by using the Meyer Test Stand (available at Authorized Servicing Dealers) which allows direct pressure and Amperage readings.

1. Use a screwdriver or other small tool to check for magnetism of solenoid coils S1 through S6.
Place the tool on the side of the coil and have an assistant operate the switch. You should feel magnetic attraction.
2. Use a test light or volt meter to determine whether there is power at harness or switches. (The wire must be probed)
3. When determining Amp draw of motor, always obtain the highest value possible, i.e., at maximum raise or angle with motor running.
4. Proper rotation for motor is indicated by an arrow on the top of the pump.
5. The pump shaft (all models) of a good pump can be turned smoothly using two fingers. If it cannot be turned easily, the pump is too tight and must be replaced.
6. Pump pressure can be measured at an angle hose (note pressure at full angle) or in the pressure filter port (an adapter is necessary for the filter port).
7. If hydraulic system is contaminated with oil or a substance other than Meyer Hydraulic Fluid, it is recommended that the hydraulic unit, power angling rams and hoses be drained and flushed clean with Meyer M-2 Flush Fluid. The system should then be refilled with Meyer M-1 Fluid.

Coil	Color
S1	RED
S2	BLACK
S3	GREEN
S4	BLUE
S5	PURPLE
S6	YELLOW

SB-73 Hydraulic Troubleshooting

These charts are intended to be used as an aid in diagnosing Meyer Hydraulic Power Units. They are not a substitute for factory training and experience. Be certain to read the General Information and Testing Tips sections before attempting any troubleshooting. Additional detailed information as well as all electrical schematics may be found in Service Manuals at www.meyerproducts.com.

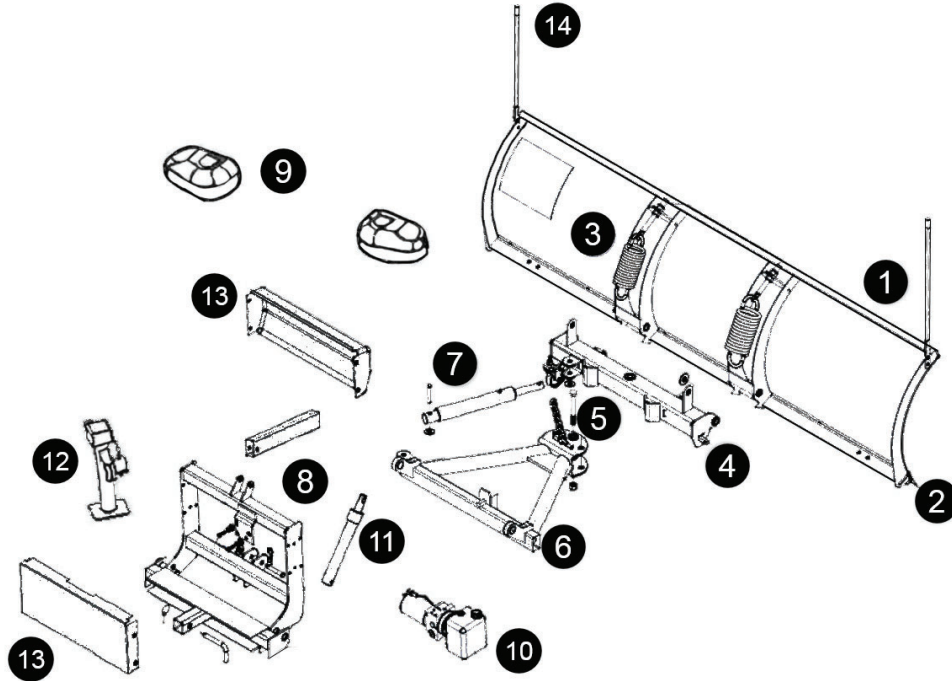
CONDITION	POSSIBLE CAUSE	CORRECTION
Plow does not lift or lifts slowly - motor operates	<ol style="list-style-type: none"> 1. Low hydraulic fluid level. 2. Discharged battery. 3. Leaking or open "S3" cartridge. 4. No current to "S3" coil. 5. Inoperative "S3" coil. 6. Malfunctioning motor. 7. Malfunctioning pump. 	<ol style="list-style-type: none"> 1. Add fluid to proper level 2. Recharge battery. 3. Clean or replace "S3" cartridge. 4. Locate malfunction and repair. 5. Replace "S3" coil. 6. Repair or replace motor. 7. Replace pump.
Plow does not angle right - motor operates	<ol style="list-style-type: none"> 1. Mechanical bind or interference. 2. No current to "S1 or S6" coil. 3. Inoperative "S1 or S6" coil. 4. Inoperative "S1 or S6" cartridge. 5. Leaking crossover relief valve. 6. Malfunctioning Motor 	<ol style="list-style-type: none"> 1. Eliminate mechanical bind or interference. 2. Locate malfunction and repair. 3. Replace "S1" or "S6" coil. 4. Clean or replace "S1" or "S6" cartridge. 5. Replace crossover relief valve. 6. Replace Motor
Plow does not angle left - motor operates	<ol style="list-style-type: none"> 1. Mechanical bind or interference. 2. Leaking crossover relief valve. 	<ol style="list-style-type: none"> 1. Eliminate mechanical bind or interference. 2. Replace crossover relief valve.
Wings will not extend	<ol style="list-style-type: none"> 1. Malfunctioning Motor 2. No current to "S4" (Left Wing) or "S5" (Right Wing). 3. Inoperative "S4" (Left Wing) or "S5" (Right Wing) coil. 4. Inoperative "S4" (Left Wing) or "S5" (Right Wing) cartridge. 	<ol style="list-style-type: none"> 1. Replace Motor 2. Replace "S4" or "S5" as needed 3. Replace "S4" or "S5" coil as needed 4. Clean or replace "S4" or "S5" cartridge.

SB-73 Hydraulic Troubleshooting

These charts are intended to be used as an aid in diagnosing Meyer Hydraulic Power Units. They are not a substitute for factory training and experience. Be certain to read the General Information and Testing Tips sections before attempting any troubleshooting. Additional detailed information as well as all electrical schematics may be found in Service Manuals at www.meyerproducts.com.

CONDITION	POSSIBLE CAUSE	CORRECTION
Wings will not retract	<ol style="list-style-type: none"> 1. Malfunctioning Motor 2. No current to "S1 & S4" (Left Wing) or "S1 & S5" (Right Wing). 3. Inoperative "S1 & S4" (Left Wing) or "S1 & S5" (Right Wing) coil. 4. Inoperative "S1 & S4" (Left Wing) or "S1 & S5" (Right Wing) cartridge. 	<ol style="list-style-type: none"> 1. Replace Motor 2. Replace "S1 & S4" or "S1 & S5" as needed 3. Replace "S1 & S4" or "S1 & S5" coil as needed 4. Clean or replace "S1 & S4" or "S1 & S5" cartridge
Plow will not hold in angled position	<ol style="list-style-type: none"> 1. Air in cylinders and hoses. 2. Leaking dual pilot check valve. 3. Leaking crossover relief valve. 4. Crossover relief valve opening at too low a pressure. 	<ol style="list-style-type: none"> 1. Bleed cylinders and hoses. 2. Replace pilot check valve. 3. Replace crossover relief valve. 4. Replace crossover relief valve.
Motor does not operate	<ol style="list-style-type: none"> 1. Discharged or defective battery. 2. Loose/corroded electrical connections. 3. Inoperative starter solenoid. 4. Malfunctioning control switch. 5. Malfunctioning motor. 	<ol style="list-style-type: none"> 1. Recharge or replace battery. 2. Clean and tighten electrical connections. 3. Replace starter solenoid. 4. Replace control switch. 5. Repair or replace motor.
Plow does not lower	<ol style="list-style-type: none"> 1. No current to "S2" coil. 2. "S2" cartridge jammed in closed position. 3. Inoperative "S2" coil. 	<ol style="list-style-type: none"> 1. Locate malfunction and repair. 2. Clean or replace "S2" cartridge. 3. Replace "S2" coil.
Plow creeps down	<ol style="list-style-type: none"> 1. Leaking "S2" cartridge. 2. Leaking "S2" cartridge O-ring. 3. Leaking "S3" check valve. 4. Leaking Ram. 	<ol style="list-style-type: none"> 1. Clean or replace "S2" cartridge. 2. Replace O-ring. 3. Clean or replace "S3" check valve. 4. Replace Ram.

Wingman Component Identification*

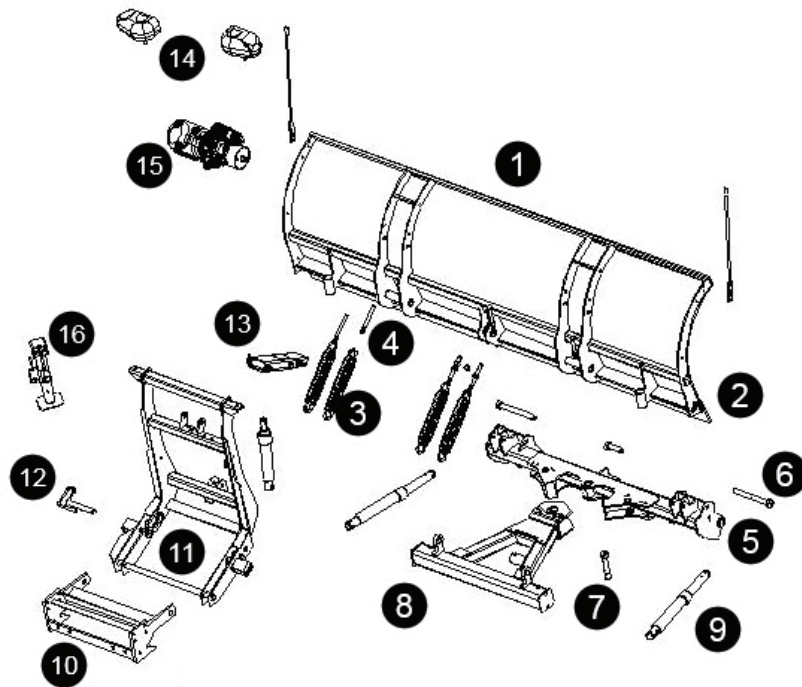


*Image is a general representation of a Straight Blade model. Your specific model may appear differently, but the components are the same.

Wingman Component Identification

- 1. Moldboard** – Steel moldboard sheet is impact and corrosion resistant.
- 2. Cutting Edge** – Replaceable high carbon steel provides extra long operating life; should be 1/2" (12mm) above ground in plowing position. (Can be higher when used on gravel driveways.) Available in Urethane or Rubber.
- 3. Trip Springs** – Allow moldboard to trip forward and ride over obstructions, this protects the snow plow, vehicle, and operator.
- 4. Pivot Bar** – Heavy-duty highway plow design provides durability with three push/connect points to the moldboard.
- 5. King Bolt** – Heavy-duty high grade bolt that attaches A-Frame to the Pivot Bar.
- 6. A-Frame** – Designed to attach the snow plow to the vehicle, to pivot moldboard for angle plowing, and to hold plow at proper distance in front of vehicle.
- 7. Power Angling Cylinders** – Heavy-duty winter specified hydraulics to move the plow left or right.
- 8. Lift Frame** – Allows for fast, complete removal of front end hardware, snow plow, lights and hydraulic unit in one complete module.
- 9. Meyer Nite Saber® Snow Plow Lights** – Complies with the Federal Motor Vehicle Safety Standards.
- 10. Hydraulic Power Unit** - Operates snow plow hydraulically- raises, lowers, angles, holds and floats moldboard in plowing position.
- 11. Lift Cylinder** – Lifts and lowers moldboard.
- 12. Crankstand** – Positions Moldboard and Lift Frame for easy attaching and detaching. Adjusts plow height in varying ground conditions for easy mount/dismount.
- 13. Hydraulic Cover** - Protects the Hydraulic Power Unit from debris and elements.
- 14. Plow Markers** – Attach to corner of moldboard providing line of site to the operator.

Straight Blade Component Identification*

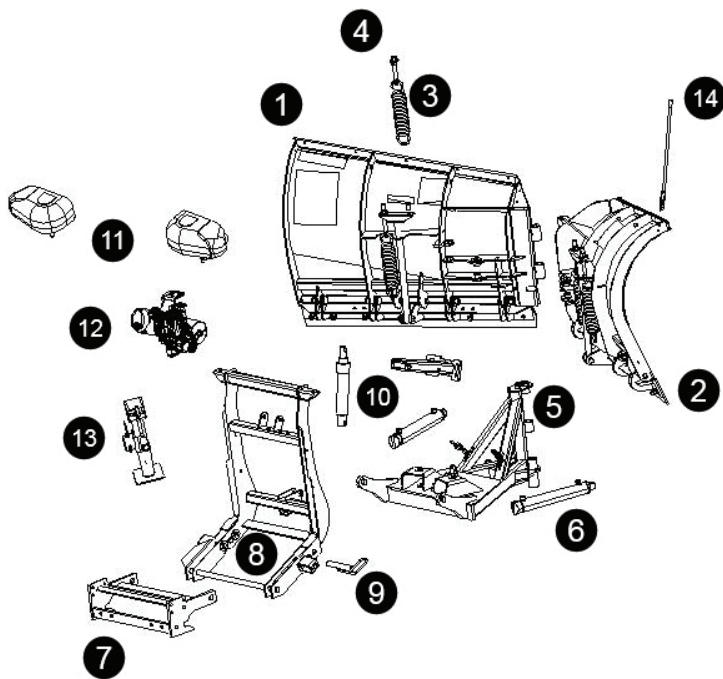


*Image is a general representation of a Straight Blade model. Your specific model may appear differently, but the components are the same.

Straight Blade Component Identification

- 1. Moldboard** – Steel or Polyethylene moldboard sheet is impact and corrosion resistant.
- 2. Cutting Edge** – Replaceable high carbon steel provides extra long operating life; should be 1/2" (12mm) above ground in plowing position. (Can be higher when used on gravel driveways.) Available in Urethane or Rubber.
- 3. Trip Springs** – Allow trip edge to trip back and ride over obstructions, this protects the snow plow, vehicle, and operator.
- 4. Eye Bolts** – Adjusts Trip Spring to their proper tension (coils should just begin to separate).
- 5. Pivot Bar** – Heavy-duty highway plow design provides durability with three push/connect points to the moldboard.
- 6. Pivot Pin** – Pin that secures the moldboard to the Pivot Bar.
- 7. King Bolt** – Heavy-duty high grade bolt that attaches A-Frame to the Pivot Bar.
- 8. A-Frame** – Designed to attach the snow plow to the vehicle, to pivot moldboard for angle plowing, and to hold plow at proper distance in front of vehicle.
- 9. Power Angling Cylinders** – Heavy-duty winter specified hydraulics to move the plow left or right.
- 10. Clevis Frame** – Allows snow plow assembly to be attached or detached from vehicle in minutes.
- 11. Lift Frame** – Allows for fast, complete removal of front end hardware, snow plow, lights and hydraulic unit in one complete module.
- 12. Dual Lever Dismount System** – Pull handle to release plow system for easy on/off.
- 13. Lift Cylinder** – Lifts and lowers moldboard.
- 14. Meyer Nite Saber® Snow Plow Lights** – Complies with the Federal Motor Vehicle Safety Standards.
- 15. Hydraulic Power Unit** – Operates snow plow hydraulically- raises, lowers, angles, holds and floats moldboard in plowing position.
- 16. Crankstand** – Positions Moldboard and Lift Frame for easy attaching and detaching. Adjusts plow height in varying ground conditions for easy mount/dismount.
- 17. Plow Markers** – Attach to corner of moldboard providing line of site to the operator.

Super-V3 Component Identification*

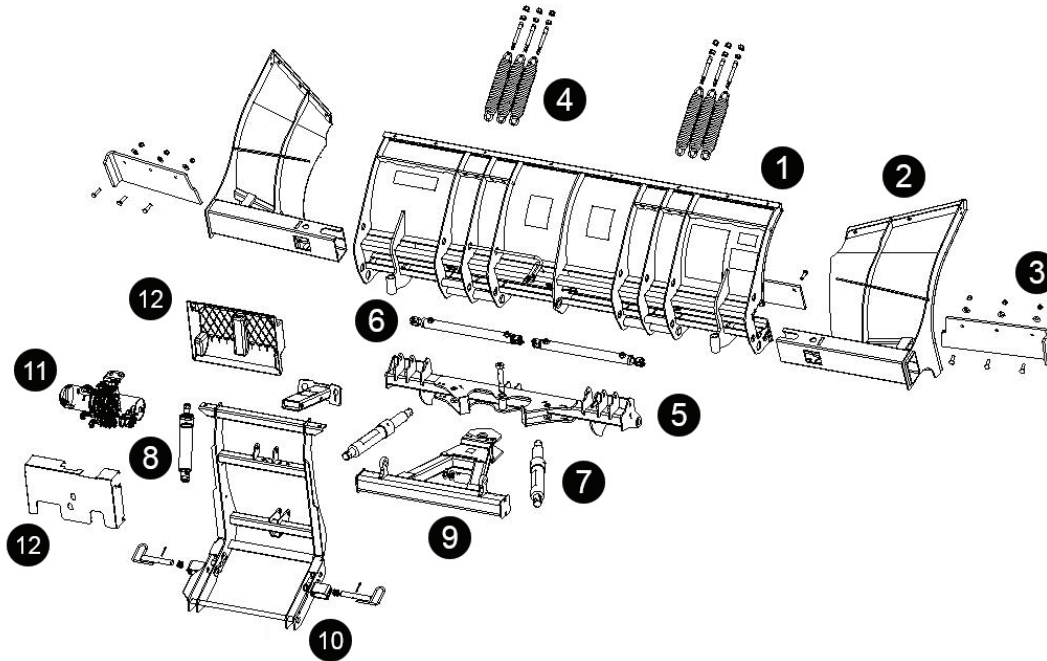


*Image is a general representation of a Super-V3 model. Your specific model may appear differently, but the components are the same.

Super-V3 Component Identification

- 1. Moldboard** – Steel or stainless steel moldboard sheet is impact and corrosion resistant.
- 2. Cutting Edge** – Replaceable high carbon steel provides extra long operating life; should be 1/2" (12mm) above ground in plowing position. (Can be higher when used on gravel driveways.) Available in Urethane or Rubber.
- 3. Trip Springs** – Allow trip edge to trip back and ride over obstructions, this protects the snow plow, vehicle, and operator.
- 4. Eye Bolts** – Adjusts Trip Spring to their proper tension (coils should just begin to separate).
- 5. A-Frame** – Designed to attach the snow plow to the vehicle, to pivot moldboard for angle plowing, and to hold plow at proper distance in front of vehicle.
- 6. Power Angling Cylinders** – Heavy-duty winter specified hydraulics to move the plow left or right.
- 7. Clevis Frame** – Allows snow plow assembly to be attached or detached from vehicle in minutes.
- 8. Lift Frame** – Allows for fast, complete removal of front end hardware, snow plow, lights and hydraulic unit in one complete module.
- 9. Dual Lever Dismount System** – Pull handle to release plow system for easy on/off.
- 10. Lift Cylinder** – Lifts and lowers moldboard.
- 11. Meyer Nite Saber® Snow Plow Lights** – Complies with the Federal Motor Vehicle Safety Standards.
- 12. Hydraulic Power Unit** – Operates snow plow hydraulically- raises, lowers, angles, holds and floats moldboard in plowing position.
- 13. Crankstand** – Positions Moldboard and Lift Frame for easy attaching and detaching. Adjusts plow height in varying ground conditions for easy mount/dismount.
- 14. Plow Markers** – Attach to corner of moldboard providing line of site to the operator.

Super Blade Component Identification*



*Image is a general representation of a Super Blade model. Your specific model may appear differently, but the components are the same.

Super Blade Component Identification

- 1. Moldboard** – Steel moldboard sheet is impact and corrosion resistant.
- 2. Wings** - Extendable to widen plow from 8' to 10' 6" (2.4 to 3.2 m)
- 3. Cutting Edge** – Replaceable high carbon steel provides extra long operating life; should be 1/2" (12mm) above ground in plowing position. (Can be higher when used on gravel driveways.) Available in Urethane or Rubber.
- 4. Trip Springs** – Allow moldboard to trip forward and ride over obstructions, this protects the snow plow, vehicle, and operator.
- 5. Pivot Bar** – Heavy-duty highway plow design provides durability with three push/connect points to the moldboard.
- 6. Extending Rams** - Extends the wings to widen plow from 8' to 10' 6" (2.4 to 3.2 m).
- 7. Angling Rams** – Heavy-duty winter specified hydraulics to angle the plow left or right.
- 8. Lift Cylinder** – Lifts and lowers moldboard.
- 9. A-Frame** – Designed to pivot moldboard for angle plowing, and to hold plow at proper distance in front of vehicle.
- 10. Lift Frame** – Allows for fast, complete removal of front end hardware, snow plow, lights and hydraulic unit in one complete module.
- 11. Hydraulic Power Unit** – Operates snow plow hydraulically- raises, lowers, angles, holds and floats moldboard in plowing position.
- 12. Hydraulic Cover** - Protects the Hydraulic Power Unit from debris and elements.

General Maintenance



Clean all electrical connections and add dielectric grease once a month.

Tightening the Trip Spring and Adjusting the Eye Bolt

To properly adjust the Trip Springs, tighten the top locknut 4 (four) complete rotations beyond the point that the coils begin to separate. Tighten the bottom locknut to hold eyebolt in position. It is important that each eye bolt is locked in this position to work properly when the moldboard experiences tripping action.

Greasing the Pivot Pins and King Bolt

Use a grease gun to grease pivot pins and king bolt. This will keep your plow operating smoothly.

Maintaining Cutting Edge and Mounting Bolts

Monitor the cutting edge of your plow for excessive wear and tear. Replace it as soon as it appears worn on either corner approximately 4". Replacing the cutting edge will prevent damage to the moldboard. Also, check and retighten all mounting bolts after the first plowing session of the season and at regular intervals throughout the season.

Checking Oil Level

Use a standard drinking straw or clean stick to check your fluid level. Remove the filler cap and dip the straw into the fluid reservoir. Always check fluid level with the lift piston fully retracted. The fluid level should be 1-1/2" below the filler hole. If your fluid is low or appears excessively dirty, change your hydraulic fluid. Only use (#15134) Meyer Hydraulic M-1 Fluid. Change once per year.

Note: On Super-V3 and Super Blade make sure both wings are fully retracted.

Monitoring the Condition of Your Hoses, Couplers, and Rams

Check all hoses for bubbles or cuts and couplers for rust or leaks. A failure in a hose or coupler will result in a loss in oil pressure and cause power angling failure. Check rams for rust and leaks, either of these problems can introduce water into your hydraulic system which may cause freeze-ups. If you find any of these problems, replace the damaged parts with Meyer Genuine Parts available from your local authorized retailer.

Monitoring the Electrical System and Battery Terminal Connections

For maximum efficiency, the vehicle supporting the plow must be properly serviced. The system should consist of at least a 70-amp/hr battery and a 60-amp alternator. Be sure to regularly check the battery terminals to assure that they're clean and free of corrosion, adding (#15632) dielectric grease to all connections will help prevent corrosion from occurring. Also check the electrical connections to assure they're tight and corrosion free. Make sure that all wires are being held clear from moving or hot engine parts or from sharp sheet metal. For maximum efficiency, the battery, alternator, and regulator must be in top operating condition to assure maximum electrical output.

General Maintenance

Adjusting the Drop Speed

The rate at which the plow is lowered is adjustable. Turning the Lower Adjusting Screw in (clockwise) will decrease the speed at which the plow is lowered by gravity, and turning the screw out (counter-clockwise) will increase the drop speed.

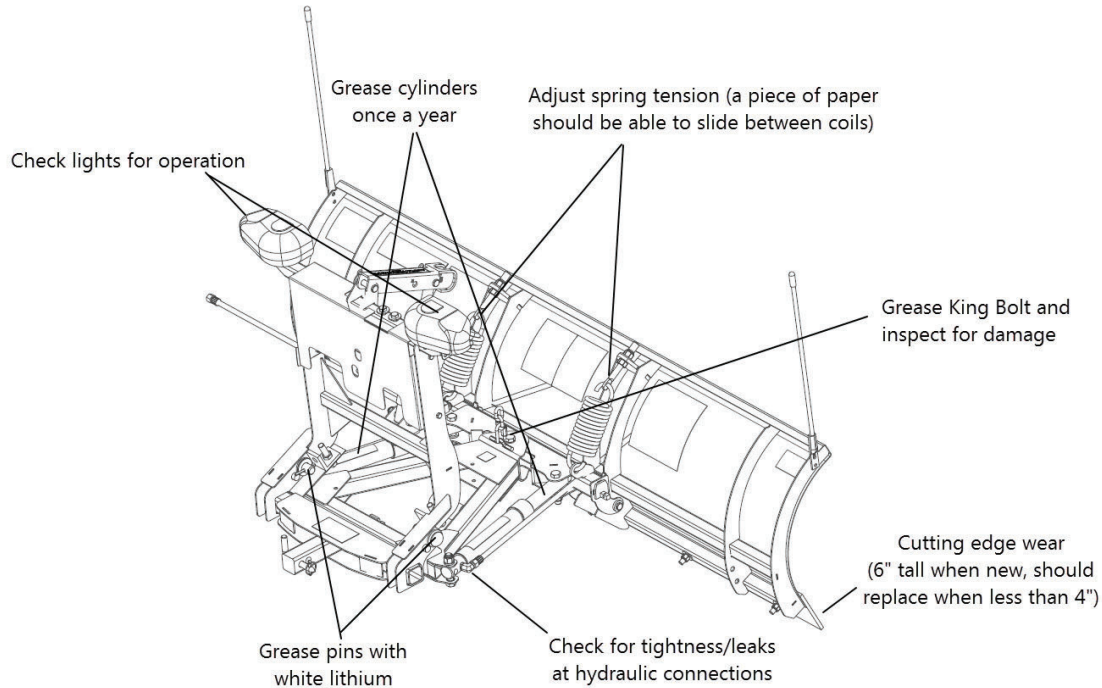
Adjusting the Runners

Inspect moldboard runners for wear and replace them as soon as they start to wear through. Adjust the runners to maintain cutting edge height of 1/2" (12mm) above ground in snow plowing position. Set plow higher when plowing on gravel driveways.

Storing the Plow and Hydraulic Unit

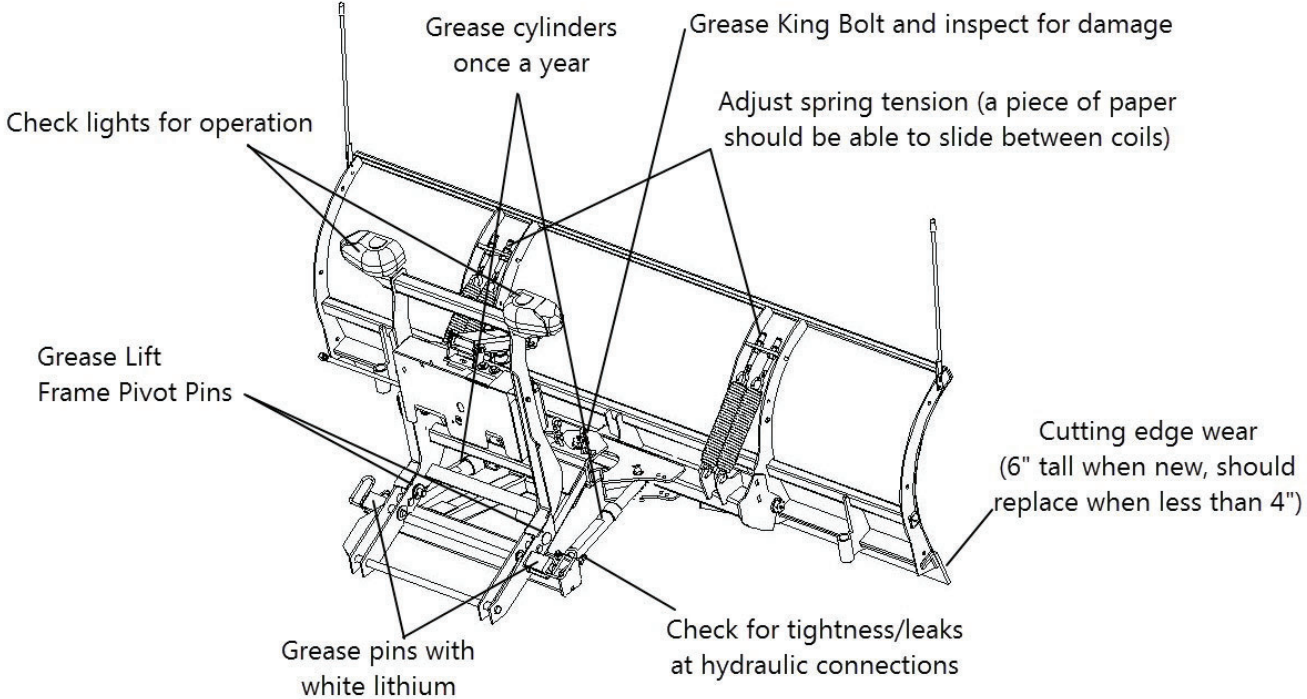
After you have disconnected the plow from your vehicle, extend the lift cylinder to end of the stroke and coat the lift rod with light grease. This fills the cylinder with hydraulic fluid and protects the interior and exterior from rust and corrosion. Also coat the exposed portions of the power angling cylinder rods with light grease. Be sure to plug in the weather plugs on Hydraulic Unit to keep them clean and to prevent contamination of the system. Coat all pivot pins and other wear points with chassis lubricant. Unplug all electrical connections at the power unit. Coat all connections with a dielectric compound to prevent corrosion and plug them into their corresponding plugs. Unplug the plow lights, use dielectric compound at light connections to prevent corrosion. Meyer M-2 Hydra-Flush should be used to flush contaminants from the system. It should also be used for off-season storage.

Wingman General Maintenance*



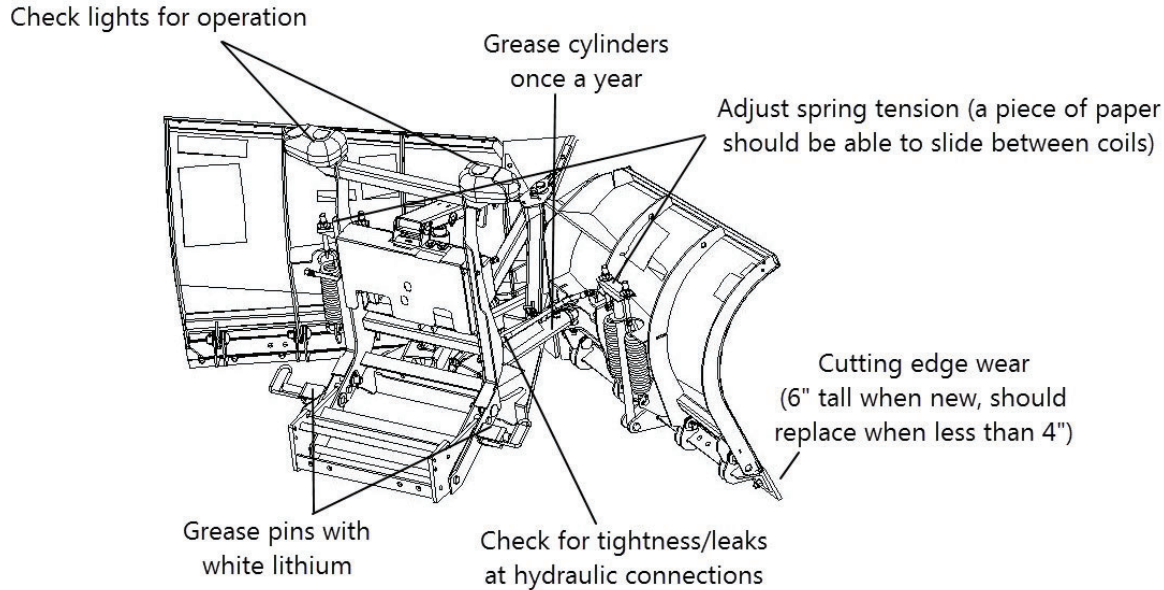
*Image is a general representation of a Straight Blade model. Your specific model may appear differently, but the components are the same.

Straight Blade General Maintenance*



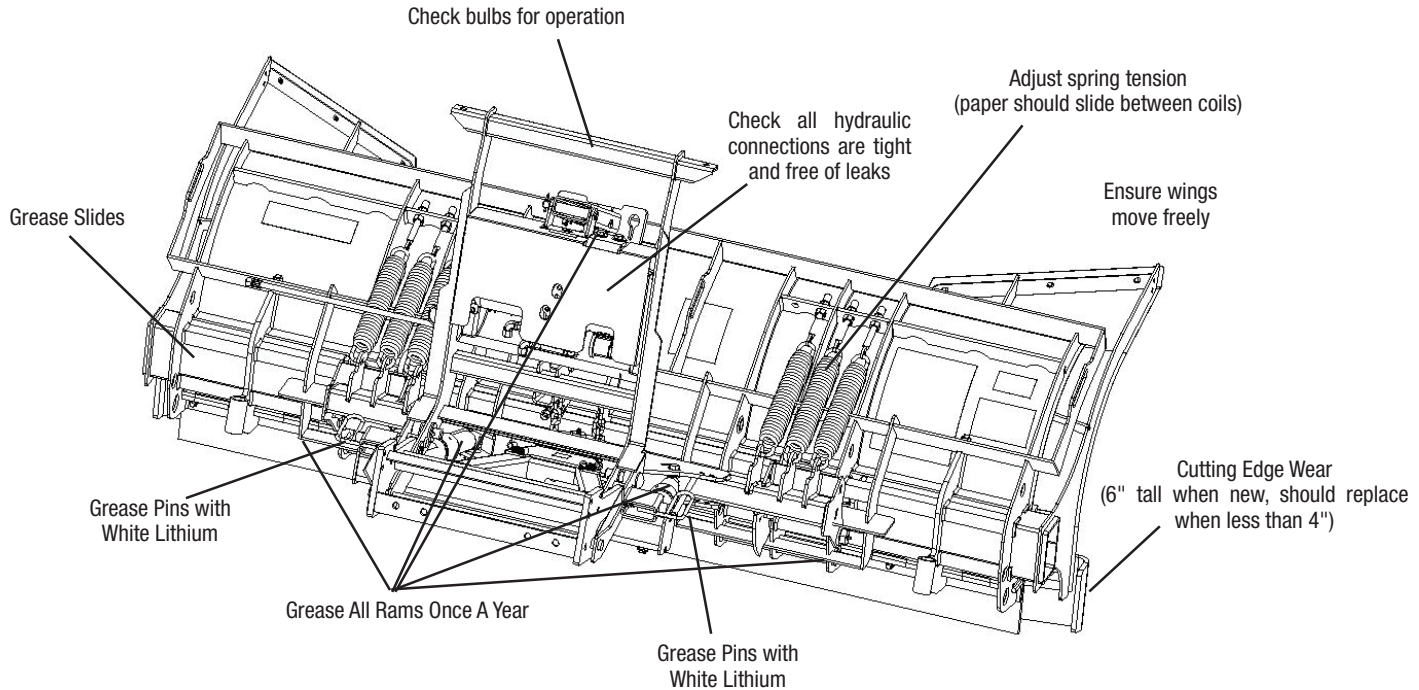
*Image is a general representation of a Straight Blade model. Your specific model may appear differently, but the components are the same.

Super-V3 General Maintenance*



*Image is a general representation of a Super-V3 model. Your specific model may appear differently, but the components are the same.

Super Blade General Maintenance*



*Image is a general representation of a Super Blade model. Your specific model may appear differently, but the components are the same.

Vehicle- Maintenance

Meyer Products LLC recommends this maintenance information for regular service. Sustained heavy operation may call for more frequent service. Snow plowing subjects a vehicle to exceptionally rugged use. As a result, it is very important to inspect and bring the snow plow and vehicle up to maximum operating conditions. Inspection should be made of both the vehicle and snowplow prior to the plowing season and after each use.

Vehicle Pre-Season Maintenance

Scheduled vehicle maintenance should be performed as recommended by the manufacturer.

Don't forget that in addition to keeping equipment in order:

1. Keep windshield wipers, heaters and lights working.
2. Use emergency flasher lights for increased visibility and safety.
3. Equip vehicles with chains where necessary.
4. Provide operators with protective clothing and with rubber gloves for handling snow melting chemicals.

Vehicle Electrical System Pre-Season Maintenance

For maximum efficiency, the vehicle supporting the snow plow must be properly serviced. The system should consist of at least a 70 amp./hr. battery and a 60 amp alternator. Be sure to check regularly:

1. Battery terminals to assure they're clean and free of corrosion.
2. Electrical connections, to assure they're tight and corrosion free.
3. Battery must be in top operating condition.
4. Alternator and regulator, to assure maximum electrical output.

CAUTION:ALWAYS LOWER MOLDBOARD TO THE GROUND WHEN SNOW PLOW IS BEING SERVICED OR WHEN VEHICLE IS NOT IN USE.

Pre-Season Maintenance



Yellow and black paint is formulated to withstand harsh temperatures and the winter environment.

To have your plow ready for the first snow fall:

1. Check and maintain hydraulic fluid reservoir level to Full. Oil level should be checked with lift ram down or retracted position. On Super-V3 and Super Blade, wings should be retracted.
2. Check entire hydraulic system for leaks. A significant drop in hydraulic fluid level is evidence of a leak which must be corrected to prevent serious damage.
3. Before and after each season, Grease all pins and lubricate all pivot points with chassis lube.
4. ADJUSTING TRIP SPRING TENSION - Tighten top locknut 4 turns beyond the point when spring coils begin to separate. Tighten bottom locknut to hold eye bolt in position as shown
5. RUNNERS/SHOES
 - A. Inspect moldboard runners for wear and height adjustment.
 - B. Always replace runners as soon as they start to wear through.
 - C. Adjust the runners to maintain cutting edge height of 1/2" (12mm) above ground in snow plowing position. (Can be set higher when used on gravel driveways).
6. CUTTING EDGE - REVERSIBLE ON TRIP EDGE PLOWS - Replace the cutting edge as soon as it appears worn. This will prevent permanent damage to the plow.
7. MOUNTING BOLTS - Retighten all mounting bolts after first snow plowing session and at regular intervals through the season.
8. SNO-FLO® POWDER COATING, both black and yellow, should be checked at the beginning and end of each season for any signs of rust. If any exists, use Meyer special Sno-Flo® powder coat touch-up available in spray cans.
9. Check lighting system to make sure all bulbs are functioning: headlights Hi/Low - turn signals.

NOTE: PROTECTION AGAINST RUST AND CORROSION

When the power unit is not used for extended periods, protect the chromed lift rod by fully extending and coating it with chassis lubricant. Coat the exposed portions of the power angling cylinder rods with chassis lubricant to protect against corrosion.

Post-Season Maintenance

1. Drain the fluid by removing the drain plug located on the bottom of unit. To drain the fluid from the power angling cylinders, disconnect the fittings and completely retract the cylinder rods and purge cylinders and hoses of all hydraulic fluid. The complete system should then be flushed out with Meyer M-2 Flushing Fluid before adding new Meyer Hydraulic Fluid.
2. Meyer M-1 Hydraulic Fluid (#15134) is specially formulated with an anti-ice additive for almost constant viscosity in subzero temperatures. Because it is free-flowing in extreme cold, the unit's performance and efficiency are not affected by winter weather. It is effective for a maximum of one year. Always carry an extra quart of Meyer M-1 Hydraulic Fluid. Use of any inferior fluids will void the Meyer warranty.
3. Refill power unit with Meyer M-1 Hydraulic Fluid by fully retracting lift piston and filling reservoir to top. Note: Do not over fill unit, over filling unit will cause oil to squirt out of the reservoir pressure relief valve. Power angling rams should be collapsed on all plow models and wings retracted on Super-V3 and Super Blade. Install Hydraulic unit and Moldboard assembly on vehicle. Remove reservoir pressure relief valve (Filler plug). To bleed air from the system power angle wings side to side while maintaining a constant check on the reservoir fluid level. Note: It may be necessary to bleed air from the Power angling cylinders by loosening the hydraulic fittings. Angle plow left and right until you have a steady stream of oil coming out of fitting. Raise and lower the plow several times. With lift ram fully retracted (down) check fluid level and replace filler plug.



Meyer M1 Hydraulic oil and M2 Flush is scientifically formulated to withstand extreme winter temps up to -40°F.

Snow Plow Storage

1. When snow plow is disconnected, disconnect lift chains from lift arm and extend lift cylinder to end of stroke and coat chrome rod with light grease. This fills the cylinder with hydraulic fluid and protects the interior and exterior from rust and corrosion.
2. Whenever Moldboard is disconnected, coat the exposed portions of the power angling cylinder chrome rods with light grease to protect them from corrosion.
3. Coat pivot pin and other wear points with chassis lubricant. Be sure to grease all grease holes.
4. Unplug electrical connection at power unit. Coat connection with a dielectric compound to prevent corrosion and plug into their corresponding weather plug.
5. Reference post season maintenance on page 44 prior to final storage.



Meyer[®] Snow Plows Limited Warranty

What is Covered: Meyer Products, LLC, warrants to the original purchaser of Meyer[®] brand products that they will be free from defects in materials or workmanship, with the exceptions stated below. No person is authorized to change this warranty or to create any additional warranty on Meyer[®] products.

How Long Coverage Lasts: This warranty runs for a period of two years from the date of purchase on any purchase of a complete Snow Plow Package¹. If the snow plow is registered online at www.meyerproducts.com within sixty (60) days of purchase, your warranty for the Package will be extended for a period of three years. In addition to the warranties covering a complete Snow Plow Package¹ and Structural Steel², you will receive a warranty for a period of one year from the date of purchase on individual parts, components, and accessories. All foregoing warranties apply only to an original purchaser of the product if the product is installed by an authorized Distributor/Sub-Distributor and terminate if the product is sold or otherwise transferred. Some states do not allow limitations on how long an implied warranty lasts, so the above limitation may not apply to you.

What is Not Covered: This warranty does not cover:

- Problems caused by failure to follow the product instructions, failure to maintain the product as described in the Operator's Manual, or failure to maintain proper levels of fluids and lubricants.
- Problems caused by contamination or restriction of lubricant systems or damage resulting from rust, corrosion, freezing, or overheating.
- Paint or expendable snow plow parts such as pins, runners, cutting edges, chrome plating, springs, and markers.
- Damage to any vehicle to which the products are mounted or the suitability of any product for vehicles which are not fitted with the appropriate heavy-duty snow plow service preparation parts.
- Damage caused by usage that is not in accordance with product instructions (use of the snow plow for any purpose other than plowing snow is considered misuse and abuse).
- Any snow plow, part, component, or assembly thereof, which has been modified or altered.
- Problems caused by using accessories, parts, or components not supplied by Meyer Products.
- Cost of tax, freight, transportation, storage charges, environmental charges, solvents, sealants, lubricants, or any other normal shop supplies.
- Cost of gas, lodging, mileage, or any other incidental costs incurred with installation, maintenance, transportation, of the snow plow.
- Problems caused by collision, fire, theft, vandalism, riot, explosion, lightning, earthquake, windstorm, hail, water, flood, or any other Acts of God.
- Liability for damage to property, injury to, or death of any person arising out of the operation, maintenance or use of the covered product.
- Products with missing or altered serial numbers.

The original purchaser's sole and exclusive remedy against Meyer Products and its Distributors and Sub-Distributors, and Meyer Products' sole obligation for any and all claims, whether for breach of contract, warranty, tort (including negligence) or otherwise shall be limited to providing, through its authorized Distributor/Sub-Distributor network, all labor and/or parts necessary to correct such defects free of charge. Any cost incurred in returning the product to an authorized Meyer[®] Distributor/Sub-Distributor is the responsibility of the original purchaser.

¹A complete Snow Plow Package consists of the hydraulic motor, operating controller, lift-frame, moldboard and all related items.

²Structural elements consist of the mounting, lift-frame, A-frame, sector, and the moldboard.

Meyer[®] Snow Plows Limited Warranty

ALL EXPRESS AND IMPLIED WARRANTIES FOR THE PRODUCT, INCLUDING, WITHOUT LIMITATION, ANY IMPLIED WARRANTIES OF MERCHANTABILITY AND FITNESS FOR A PARTICULAR PURPOSE, ARE LIMITED IN TIME TO THE TERM OF THE LIMITED WARRANTY PERIOD. NO WARRANTIES, WHETHER EXPRESS OR IMPLIED, WILL APPLY AFTER THE LIMITED WARRANTY PERIOD HAS EXPIRED. Meyer Products disclaims liability beyond the remedies provided for in this limited warranty, and disclaims all liability for incidental, consequential, and special damages, including, without limitation, any liability for third-party claims against you for damages, for products not being available for use, or for lost profits. Meyer Products' liability will be no more than the amount you paid for the product that is the subject of a claim; this is the maximum amount for which we are responsible. Some states do not allow the exclusion or limitation of incidental or consequential damages, so the above limitation or exclusion may not apply to you.

What Meyer Products Will Do: Meyer Products will repair any product that proves to be defective in materials or workmanship. In the event repair is not possible or practical (as determined by Meyer Products in its sole discretion), Meyer Products will either replace the product with a new product of similar model and price, or refund the full purchase price, as determined by Meyer Products.

Customer Responsibilities: Customer must keep the complete Snow Plow Package serviced/maintained as recommended by Meyer Products. A written record of service must be maintained, along with receipts for maintenance materials purchased. A copy of the maintenance record and pertinent receipts may be requested in the event of a claim.

How to Get Service: In order to obtain service under this warranty, the original purchaser must:

- Use all reasonable means to protect the complete snow plow package from further damage.
- Contact your local Meyer[®] or Aebi-Schmidt dealer from whom the product was purchased or to any authorized Meyer[®] or Aebi-Schmidt dealer. Transportation and freight charges prepaid when applicable. Only Meyer[®] and Aebi-Schmidt dealers are authorized to perform the obligations under this warranty. For the address and telephone number of the Meyer[®] or Aebi-Schmidt dealer nearest you visit <https://www.meyerproducts.com/dealer-locator>.
- Provide maintenance record and receipts for required maintenance, if requested.
- Allow inspection of damaged parts and/or complete snow plow package if deemed necessary by Meyer Products, Meyer[®] dealer, or Aebi-Schmidt dealer.
- It is the responsibility of the original purchaser to establish the warranty period by verifying the original delivery date. A bill of sale/sales receipt, cancelled check, or some other appropriate payment record may be kept for that purpose.

How State Law Applies: This warranty gives you specific legal rights, and you may also have other rights which vary from state to state.

¹A complete Snow Plow Package consists of the hydraulic motor, operating controller, lift-frame, moldboard and all related items.

²Structural elements consist of the mounting, lift-frame, A-frame, sector, and the moldboard.

EC Declaration of Conformity

The undersigned representing the manufacturer...

Meyer Products LLC
18513 Euclid Ave
Cleveland, OH 4412

herewith declared that product: HomePlow, WingMan, Drive Pro, Drive Pro Light Duty, Lot Pro, Lot Pro Light Duty, Road Pro 32, Diamond Edge 2, Super Blade, Super-V, Super-V2, Super-V3, Nite Saber III Lights, Nite Saber LED Lights, Base Line, Blaster, Crossfire, Elite, MDV, Polyhawk is in conformity with the essential requirements of the following EC directives when subject to correct installation, maintenance, and use conforming to its (their) intended purpose, to the applicable regulations and standards, to our operation and maintenance manual.

- 2014/35/EU - EC Low Voltage Directive
- 2014/30/EU - EMC Directive
- 2006/42/EC - Machinery Directive

and that the standards and/or technical specifications referenced below have been applied:

- CEN EN 13021 Issue:2003/05/01 WINTER SERVICE MACHINES - SAFETY REQUIREMENTS; AMD A1: 2008/12/01
- BS EN 60204-1:2018 Safety of machinery. Electrical equipment of machines. General requirements
- CEN EN ISO 4413 Issue:2010/11/01 HYDRAULIC FLUID POWER - GENERAL RULES AND SAFETY REQUIREMENTS FOR SYSTEMS AND THEIR COMPONENTS
- Essential Health and safety requirements per Annex I of 2006/42/EC
- EN ISO 12100:2010 Safety of machinery - General principles for design - Risk assessment and risk reduction
- EN 50498:2010

Meyer Genuine Parts

Meyer Genuine Parts are designed to fit properly and perform better and last longer – which means you save money by replacing fewer parts less often. In addition, all Meyer Genuine Parts..:

- Comply with Meyer specifications and technical standards
- Maintains the warranty on your original equipment
- Fit perfectly and reduces installation time
- Guarantee original equipment quality

Look for the Meyer name on all your replacement parts.

For more information, visit www.meyerproducts.com





Meyer Products carries a full line of spreaders and other products including:



Broadcast Spreaders

If you are looking for a heavy-duty broadcast spreader for all-season use, look no further.



Insert Hopper

Featuring an unprecedented ten-year warranty on the virtually indestructible polyethylene hopper, Meyer outlasts virtually every hopper on the market.



Tailgate Spreaders

With direct drive motors that help the auger to grind through large chunks of material, jams are a thing of the past.



Dump Truck

Getting a good return on your dump truck is important. That's why we make the very best Under Tailgate Spreaders (UTG) and Replaceable Tailgate Spreaders (RTG) available.

Meyer Products LLC
18513 Euclid Avenue
Cleveland, OH 44112-1084
216-486-1313
www.meyerproducts.com

Dealer Information:

Form#4-558R4

Part# 90907

1020