

Assembly Instructions

Standard Operating System with Hands Free Plowing

Includes: 28300 and 28310



NOTICE: Meyer Products LLC reserves the right, under its continuing product improvement program, to change construction, design, details, specifications, and prices without notice or without incurring any obligation. Meyer Products LLC assumes no responsibility for installations not made in accordance with these instructions.

Table of Contents

General Information.....	1
Black Iron Parts Lists.....	2-3
Moldboard Parts List.....	4
Standard Operating System Wiring.....	5
Plow Assembly & Adjustments.....	6
V70H Hydraulics.....	7
Mounting Plow.....	8
Dismounting Plow.....	9
Pre-Delivery Inspection.....	10
Registration.....	10

Please visit our website to find our most updated technical information; including installation instructions, user manuals, parts diagrams, EZ Troubleshooter, and more.

Please see your owner's manual for Pre-Season, Post-Season, and General Maintenance.

www.meyerproducts.com

CAUTION GENERAL INFORMATION

Always disconnect battery prior to installation.

SAFETY PRECAUTIONS should be used when Quik Lift® is in a RAISED position.

LOWER plow to the ground when vehicle is PARKED.

OVERHAUL and SERVICE information is covered on separate instructions.




Note:

1. Connect ground cable to negative side of battery for a solid connection to ground.
2. **CAUTION** Route all cables away from moving engine parts, Manifolds, and sharp sheet metal.
3. For weather protection, coat all connections with Meyer Dielectric Grease Part No. 15632
4. The vehicle must be equipped with a "Heavy Duty Battery" (70 Amp, Hr. Min.), 550 C.C.A. and "Alternator" (60 Amp. Min.) to obtain maximum performance.
5. Follow these instructions explicitly. Warranty does not apply to a Meyer product which has been negligently or improperly assembled or installed.

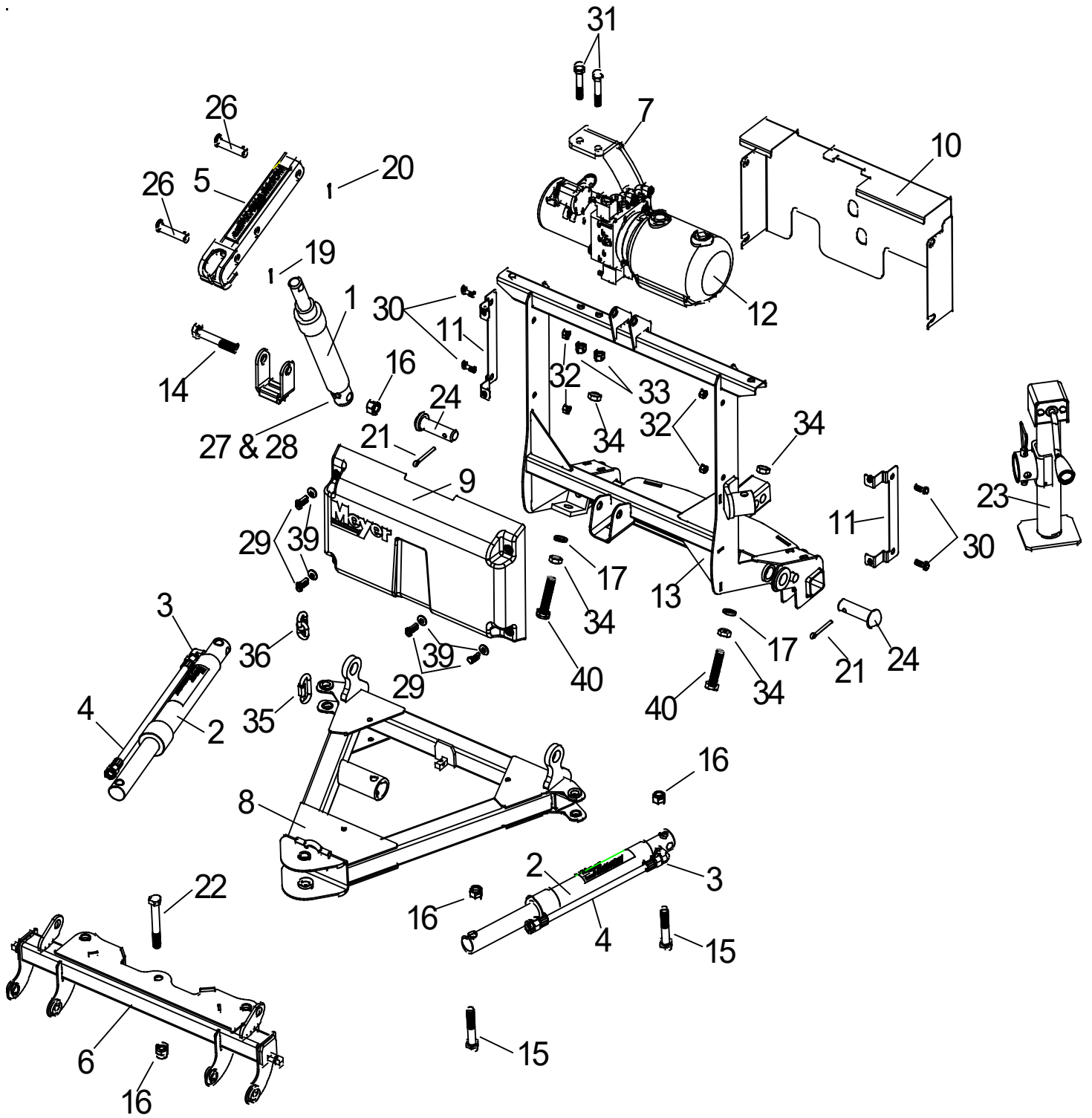
Tool List for Plow Assembly

Pliers	9/16" socket
1/2" socket	3/4" box wrench
1/2" box wrench	15/16" box wrench
9/16" box wrench	15/16" deep well socket

TORQUE CHART FOOT

Bolt Nut Size	Gr. 2 	Gr. 5 	Gr. 8 
1/4-20	4-5		
5/16-18	9-11		
3/8-16	17-20	26-29	
7/16-14		42-46	60-66
1/2-13		64-72	99-100
5/8-11		127-141	179-198

Black Iron Parts List



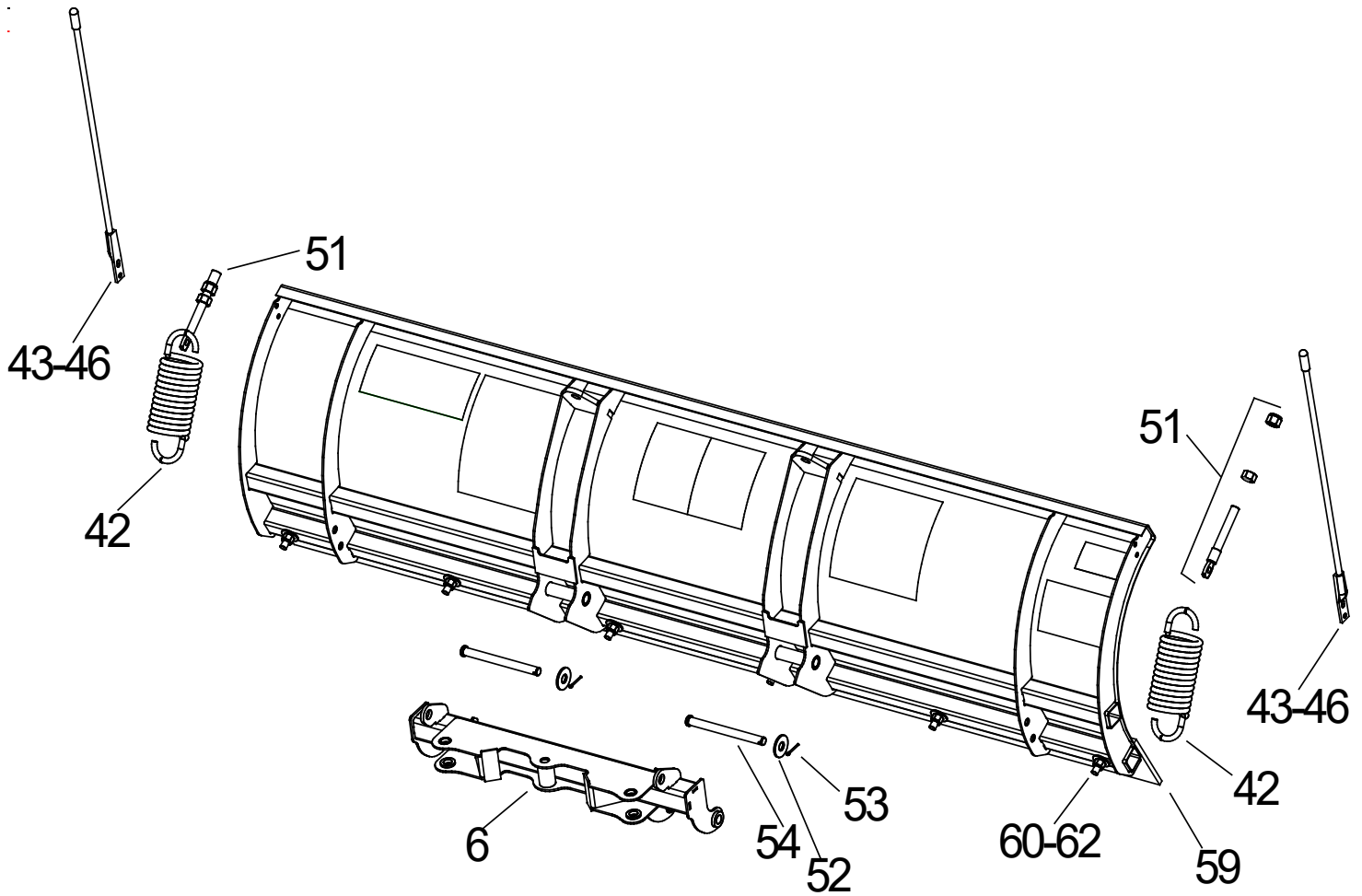
Black Iron Parts List

Item	Part No.	Part No.	Qty.	Description
	28300		1	WM 6.8 2" Assy.
		28310	1	WM 7.6 2" Assy.
1	05888	05888	1	• Lift Ram 1-1/2 x 8"
	07772	07772	1	• LH Ram with Hose & Fittings
2	05887	05887	1	•• Ram (1-1/2" x 10")
3	22866	22866	1	•• SAE 6 x 90 Degree Elbow
4	22885	22885	1	•• Hose Assy 1/4 x 54" M-6
	07783	07783	1	• RH Ram with Hose & Fittings
2	05887	05887	1	•• Ram (1-1/2" x 10")
3	22866	22866	1	•• SAE 6 x 90 Degree Elbow
4	22921	22921	1	•• Hose Assy 1/4 x 38" M-6
5	10514	10514	1	• Lift Arm
6	14250	14250	1	• Pivot Bar Drive Pro 6.8
7	14185	14185	1	• E-73 DP Mounting Bracket
8	14232	14232	1	• A-Frame Drive Pro
9	14289	14289	1	• E-73 Lift Unit Cover Front
10	14288	14288	1	• E-73 Lift Unit Cover Rear
11	14290	14290	2	• Lift Unit Cover Bracket
12	16027	16027	1	• E-73 Lift Ass'y. (Unit only)
13	18926	18926	1	• Lift Frame
14	20146	20146	1	• Bolt H 5/8 - 11 x 3-1/4" Gr. 5
15	20147	20147	4	• Bolt H 5/8 - 11 x 3-1/2" Gr. 5
16	20309	20309	6	• Locknut 5/8 - 11
17	20331	20331	2	• Lockwasher 5/8"
18	20357	20357	2	• Flatwasher 5/8"
19	20385	20385	2	• Cotter Pin 1/8 x 1-1/4"
20	22845	22845	1	• Hair Pin
21	20420	20420	2	• Cotter Pin 1/4 x 2"
22	22000	22000	1	• Bolt H 5/8-11 x 4-1/2" Gr. 8
23	22022	22022	1	• Crankstand
24	22436	22436	2	• Pin 1 x 3"
25	23023	23023	1	• Plow Side Harness
26	22719	22719	2	• Pivot Pin 5/8 x 3"
27	22866	22866	1	• SAEMx3/890 Degree Elbow
28	22884	22884	1	• Hose 1/4 x 33"

Item	Part No.	Part No.	Qty.	Description
	28301	28301	1	• Accessory Box
41	23025	23025	1	•• Power Cable - 36"
42	12978	12978	2	•• Trip Spring
	09917	09917	1	•• Plow Marker Kit
43	08214	08214	2	••• Plow Marker
44	20027	20027	4	••• Bolt H 5/16-18 x 1 Gr. 2
45	20304	20304	4	••• Locknut 5/16-18
46	20352	20352	8	••• Flatwasher 5/16"
47	15372	15372	1	•• Starter Solenoid - 12 volt
48	21832	21832	1	•• Split Bushing
49	23047	23047	1	•• Controller
50	23059	23059	1	•• Truck Side Harness
	41102	41102	1	•• Hardware Bag
51	09124	09124	2	••• Eye Bolt
52	20357	20357	2	••• Flatwasher 5/8"
53	20385	20385	2	••• Cotter Pin 1/8 x 1-1/4"
54	22989	22989	2	••• Pivot Pin 5/8 x 5-3/4"
55	20357	20357	2	••• Flatwasher 5/8"
56	22686	22686	2	••• Trip Bumper
59	07810	07810	1	• Light Set Nite Saber 3
60	14065	14065	1	• Dp Std Caster Kit
61	08571	08571	1	•• Hdwe Bag Hairpin Cotter
62	14062	14062	3	•• Im XI Caster Assy

Parts indented are included in the carton, bag or assembly under which they are indented.

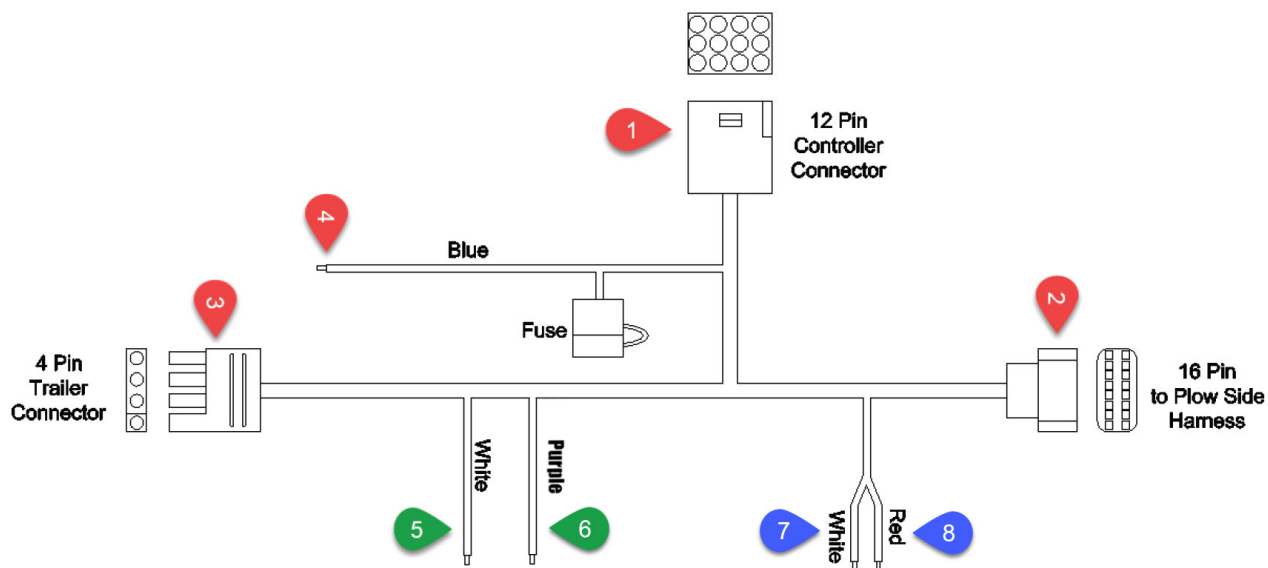
Moldboard Parts List



Item	6' 8"	7' 6"	QTY	Description
	09478	09479		Drive Pro™ Moldboard Assembly
59	09276	09796	1	• Cutting Edge
60	N/A	22067	8	• Bolt 1/2-13 x 3-1/4" Gr. 5
61	22067	N/A	6	• Bolt 1/2-13 x 3-1/4" Gr. 5
62	20307	20307	8	• Locknut 1/2-13

Parts indented are included in the carton, bag or assembly under which they are indented.

Wiring Harnesses & Controller



Vehicle Side Harness

- 1) Route the 12 pin connector into vehicle's cab and plug into controller.
- 2) Route the 16 pin connector to the front of the vehicle and plug into the plow side harness.
- 3) Route the 4 pin connector to rear of vehicle and plug into vehicle's trailer harness using the trailer adapter harness. Use cable ties to ensure the harness is secured to the vehicle's frame.



Trailer Adapter Harness

- 4) The BLUE wire will connect to the vehicle's keyed accessory circuit. This is to ensure the plow turns on and off with the vehicle's ignition.

The following step is for 2015 & later GM vehicles with an alternator relay...

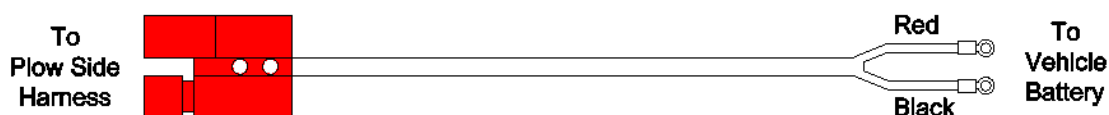
- 5) The WHITE wire will connect to 2015 & Later GM vehicles with alternator relay. See Meyer Products Service Bulletin SB252.
- 6) The PURPLE wire will connect to the black /violet wire of 2015 and later models of RAM 2500, 3500, 4500, and 5500 models. See mount instructions for further detail.

The following two steps are optional and may be enforced by local law which requires your vehicle lights to be off while your plow lights are on and vice versa...

- 6) Connect the RED to the HIGH beam function.
- 7) Connect the WHITE to the LOW beam function.

Power Harness

- 1) Route through the vehicle's grille.
- 2) Connect the terminals to the vehicle's battery. Red to Positive and Black to Negative.



Plow Assembly & Adjustments

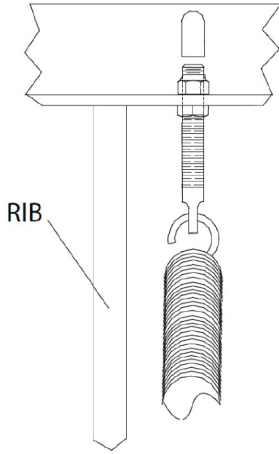
Trip Spring Adjustment

Attach Eye Bolts to Moldboard and Trip Springs to Pivot Bar, making certain locknuts are positioned as shown below.

Make certain each Eye Bolt is in a vertical position as shown below so that the Eye Bolt and Trip Spring hinge properly when the Moldboard trips.

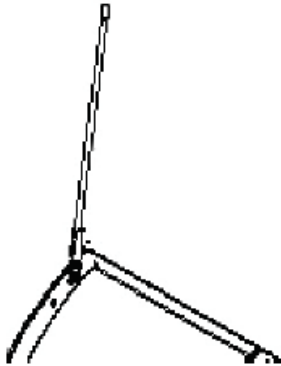
Note: Proper tension is attained when the Trip Spring coils just begin to separate and then tightening top locknut four additional turns. Tighten bottom locknut to secure Eye Bolt in position.

Install Eye Bolt Caps over exposed threads.



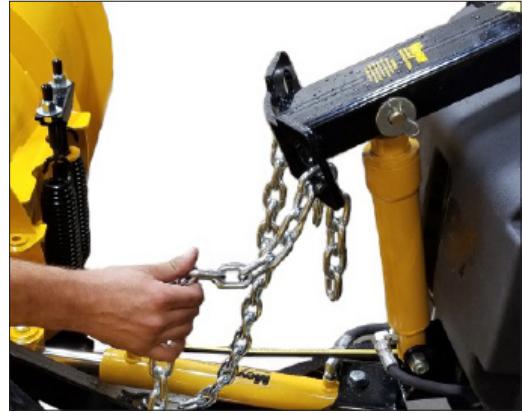
Plow Markers

Attach Plow Markers to moldboard using 5/16-18 x 1" Bolt, 5/16" Flatwasher, and 5/16-18 Locknut.



Lift Chains

Attach the Lift Chain to the Lift Arm through the two hooks on the lift arm. Adjust the lift chain at the lift arm so that there are 2-3 links of slack. This ensures that the plow blade will lift fully and be able to follow the ground contour while plowing.



Hydraulic Fluid Level

Top off the unit to the fill line on the reservoir with Meyer M-1 Hydraulic Fluid.

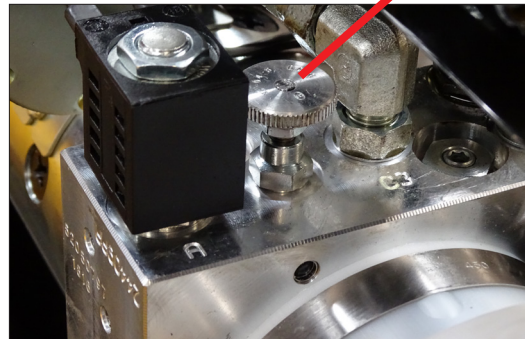
NOTE: Proper fluid level is to the fill line on the reservoir for the E73. It must be checked with the lift cylinder fully retracted.



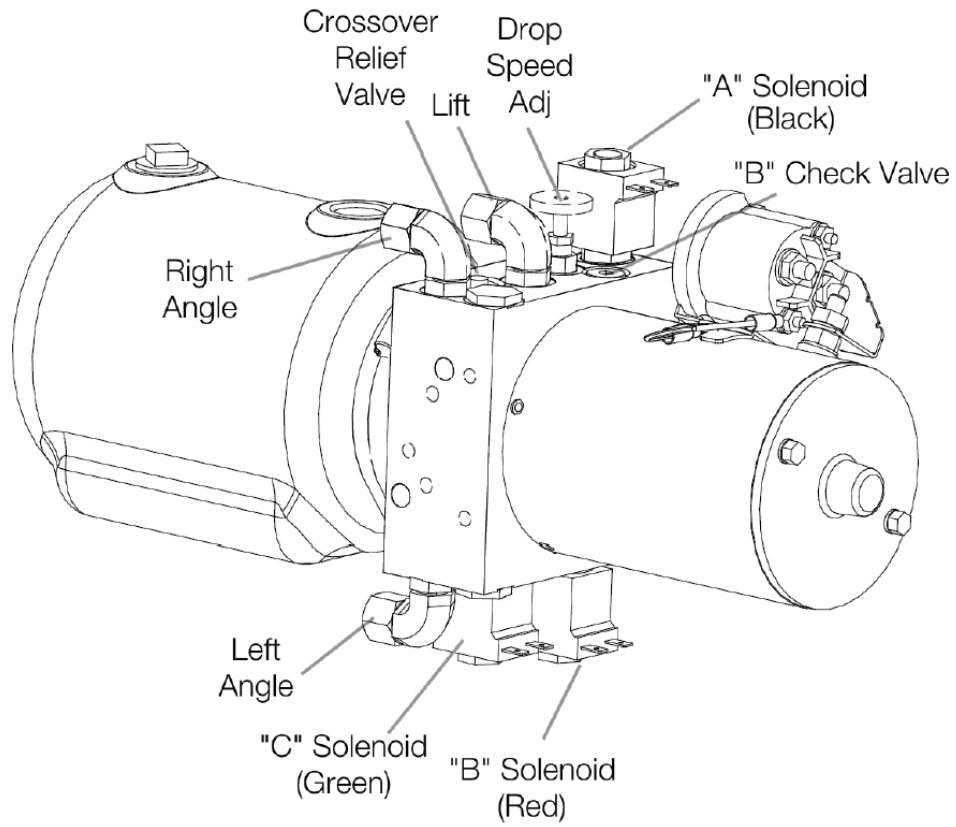
Drop Speed Adjustment

E73 Drop Speed Adjustment: Loosen jam nut and turn knob clockwise to slow the drop of the plow and counter clockwise to speed the drop of the plow. Tighten jam nut.

Drop Speed Adjustment



E73 Hydraulics

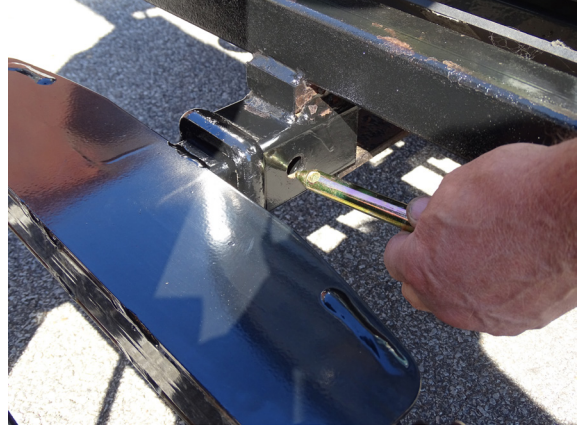


E-73	Raise	Lower	Angle Right	Angle Left
Motor	X		X	X
A Valve		X		
B Valve	X			
C Valve			X	

Mounting Plow



1. Pull vehicle into plow assembly and push plow assembly forward an inch or two.



2. Install receiver hitch pin and hair pin.



3. Adjust crankstand until it is no longer in contact with the ground.



4. Remove crankstand from a-frame.



5. Attach crankstand to lift frame.



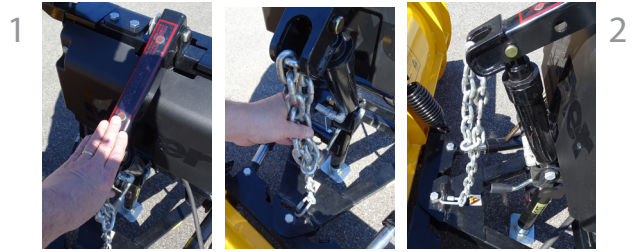
6. Remove weather covers and connect both electrical plugs.

Meyer Products assumes no responsibility for installations not made in accordance with these instructions.

Dismounting Plow



1. Press down button until Float light turns Blue/on.



2. Push lift arm down until there is a little slack in the chain.



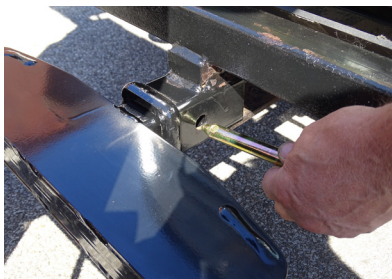
3. Remove crankstand from lift frame.



4. Attach crankstand to a-frame..



5. Adjust crankstand until crankstand comes into contact with the ground and then turn 1 to 2 revolutions.



6. Remove hair pin and pull out receiver hitch pin.



7. Disconnect both electrical plugs and install weather cover on both ends.



8. Back vehicle away from plow assembly.

Meyer Products assumes no responsibility for installations not made in accordance with these instructions.

PRE-DELIVERY INSPECTION

Vehicle Make: _____

Vehicle Model: _____

Vehicle Year: _____

Vehicle VIN#: _____

Vehicle FGAWR: _____

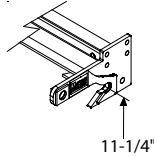
Installing Company: _____

Hydraulic Serial Number: _____

Moldboard Serial Number: _____

- All bolts torqued to specification
- Suspension interference
- Clevis height in inches _____
- Trip springs adjusted
- Lift Chain Adjusted
- Check for hydraulic fluid leaks
- Hydraulic fluid Level
- Dielectric grease applied to ALL electrical connection
- All wires secured
- Plow Stops Adjusted (plow cannot bump hyd. unit)
- Controller Operation

Clevis height



- Plow Operation Up
- Plow Operation Left
- Plow Operation Right
- Plow Operation Down
- Plow Light Blinker Left & Right Operation
- Plow Light Low & High Beam Operation
- Plow Lights Adjusted
- Plow Mount/Dismount reviewed with Customer
- Plow Operation reviewed with Customer
- Warranty/Registration/Owners Manual
- Reviewed with Customer

Notes:

Inspected By: _____ W.O.#: _____ Date: _____

Customer Signature: _____

Serial Number Decal Locations

Moldboard serial tags are attached to the back of the moldboard, the outer rib of the moldboard, and on the black iron near the hydraulic unit.

Note: SV3 Plows use the same serial number for both hydraulic and moldboard.



Registration

You must register your plow online to be eligible for the 5 year warranty. Please visit...

www.meyerproducts.com/product-registration

Please note your registration ID for future reference.

Registration ID _____