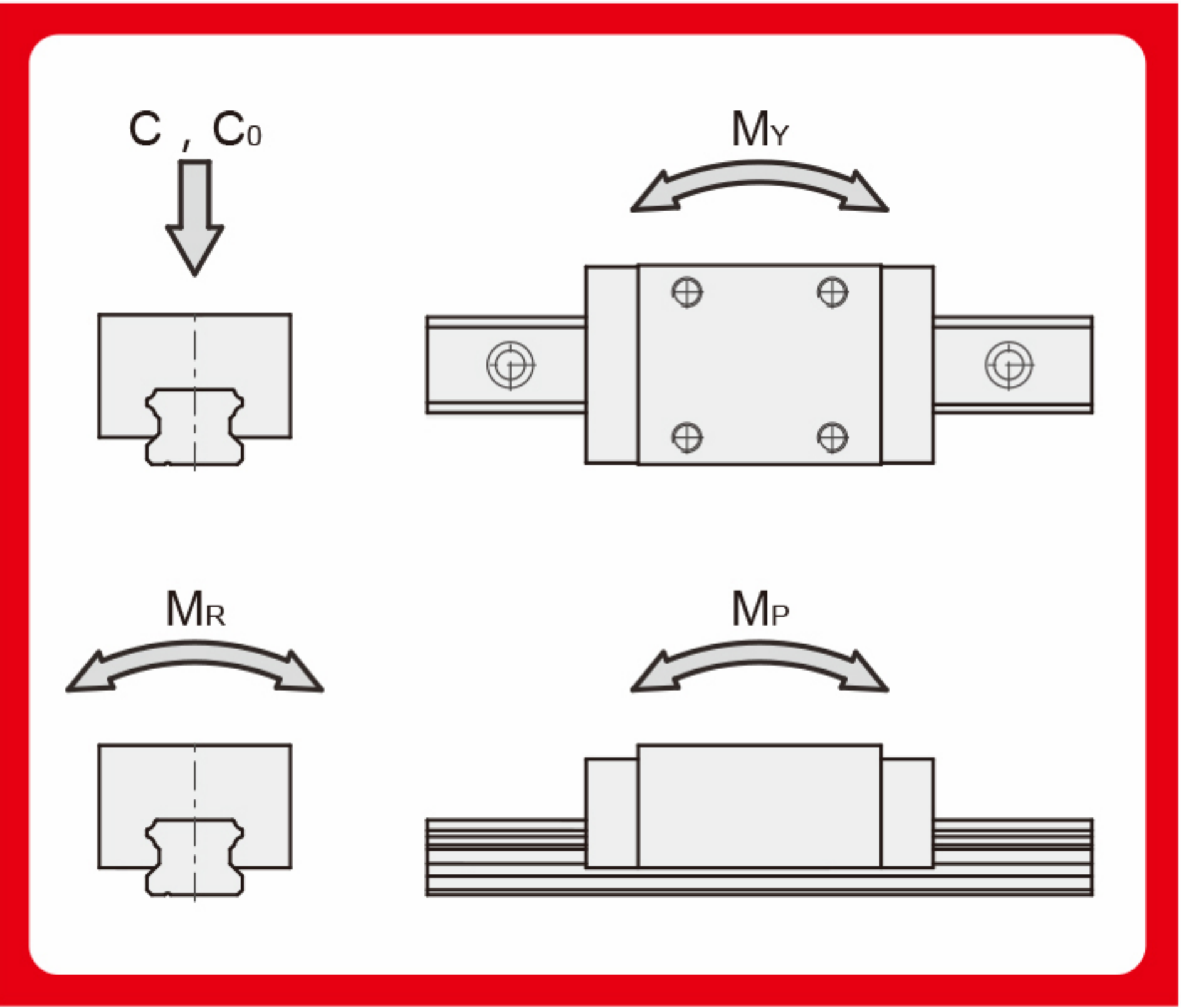
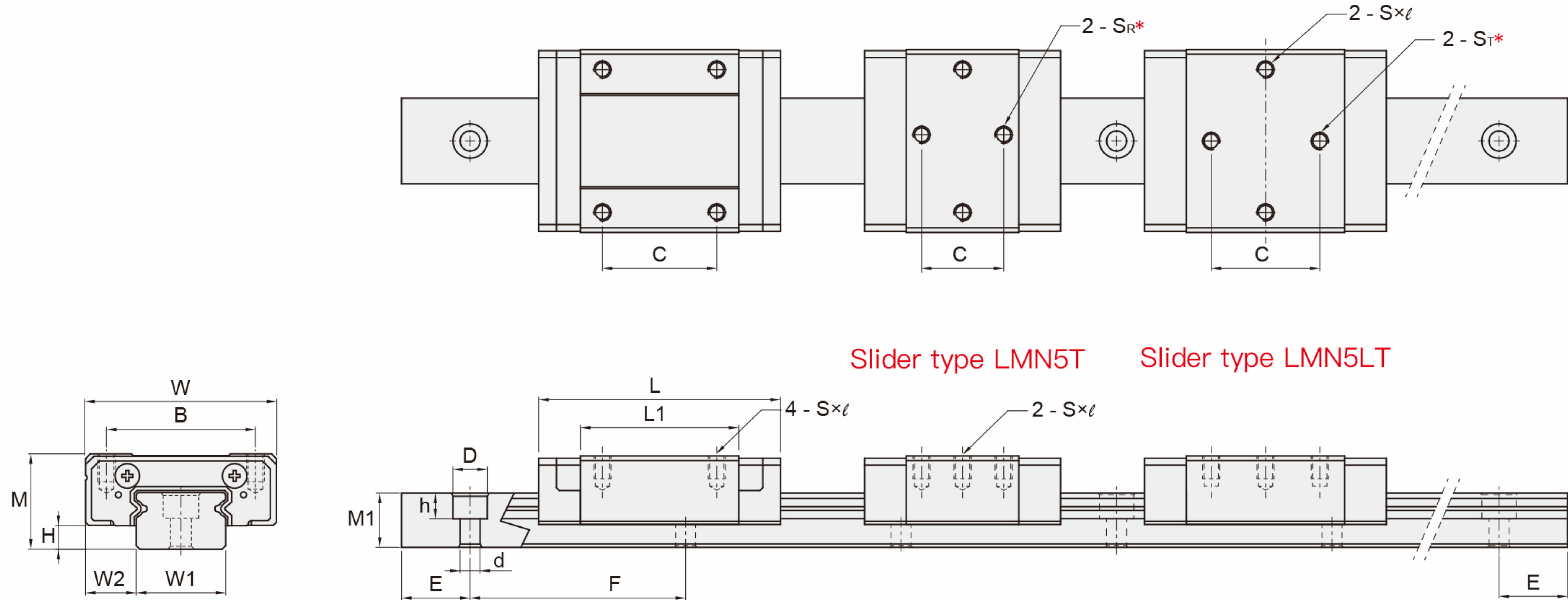


MINIATURE LINEAR GUIDE

LMN...T/LT Model Size Chart



Model	Combined Size			Slider Size							Rail size				Basic load rating		Rated static torque			Quality	
	High	Wide	Length	B	C	Mounting Holes S×ℓ	L1	H	Slider Size	High	Pitch	Terminal distance	Mounting bolt holes	Dynamic load	Static load	MP N·m	MY N·m	MR N·m	Slider g	Guide g/100mm	
	M	W	L						W1												W2
LMN5 T	6	12	16.2	8	6	M2×1.5	9.6	1.2	5	3.5	3.6	15	5	3.6×0.8×2.4	0.48	0.71	1.1	1.1	1.8	3	13
LMN5 LT	6	12	19.2	8	7	M2×1.5	12.6	1.2	5	3.5	3.6	15	5	3.6×0.8×2.4	0.58	0.93	1.8	1.8	2.4	4	13
LMN7 T	8	17	23.4	12	8	M2×2.5	13.7	1.5	7	5	4.7	15	5	4.2×2.3×2.4	1.21	1.62	3.5	3.5	6	10	21
LMN7 LT	8	17	29.7	12	13	M2×2.5	20	1.5	7	5	4.7	15	5	4.2×2.3×2.4	1.56	2.34	7	7	8.6	13	21
LMN9 ST	10	20	21.9	15	-	M3×3.5	10.6	2	9	5.5	5.5	20	7.5	6×3.5×3.5	1.21	1.62	3.5	3.5	6	10	21
LMN9 T	10	20	31.2	15	10	M3×3.5	19.9	2	9	5.5	5.5	20	7.5	6×3.5×3.5	1.85	2.38	6.7	6.7	11.2	20	31
LMN9 LT	10	20	41	15	16	M3×3.5	29.7	2	9	5.5	5.5	20	7.5	6×3.5×3.5	2.52	3.7	15.3	15.3	17.4	28	31
LMN12T	13	27	34.4	20	15	M3×3.5	21.2	3	12	7.5	7.5	25	10	6×4.5×3.5	3.12	4.05	13.1	13.1	26.3	37	61
LMN12 LT	13	27	46.3	20	20	M3×3.5	33.1	3	12	7.5	7.5	25	10	6×4.5×3.5	4.25	6.3	26.1	26.1	38	53	61
LMN15T	16	32	42.3	25	20	M3×4	27.7	4	15	8.5	9.5	40	15	6×4.5×3.5	4.67	6.13	25.3	25.3	49.5	66	102
LMN15 LT	16	32	55.8	25	25	M3×4	41.2	4	15	8.5	9.5	40	15	6×4.5×3.5	6.2	9.19	54.2	54.2	74.2	94	102

*ST Dimensions are M2.6 THRU.
 *SR Dimensions are M2.0 THRU.