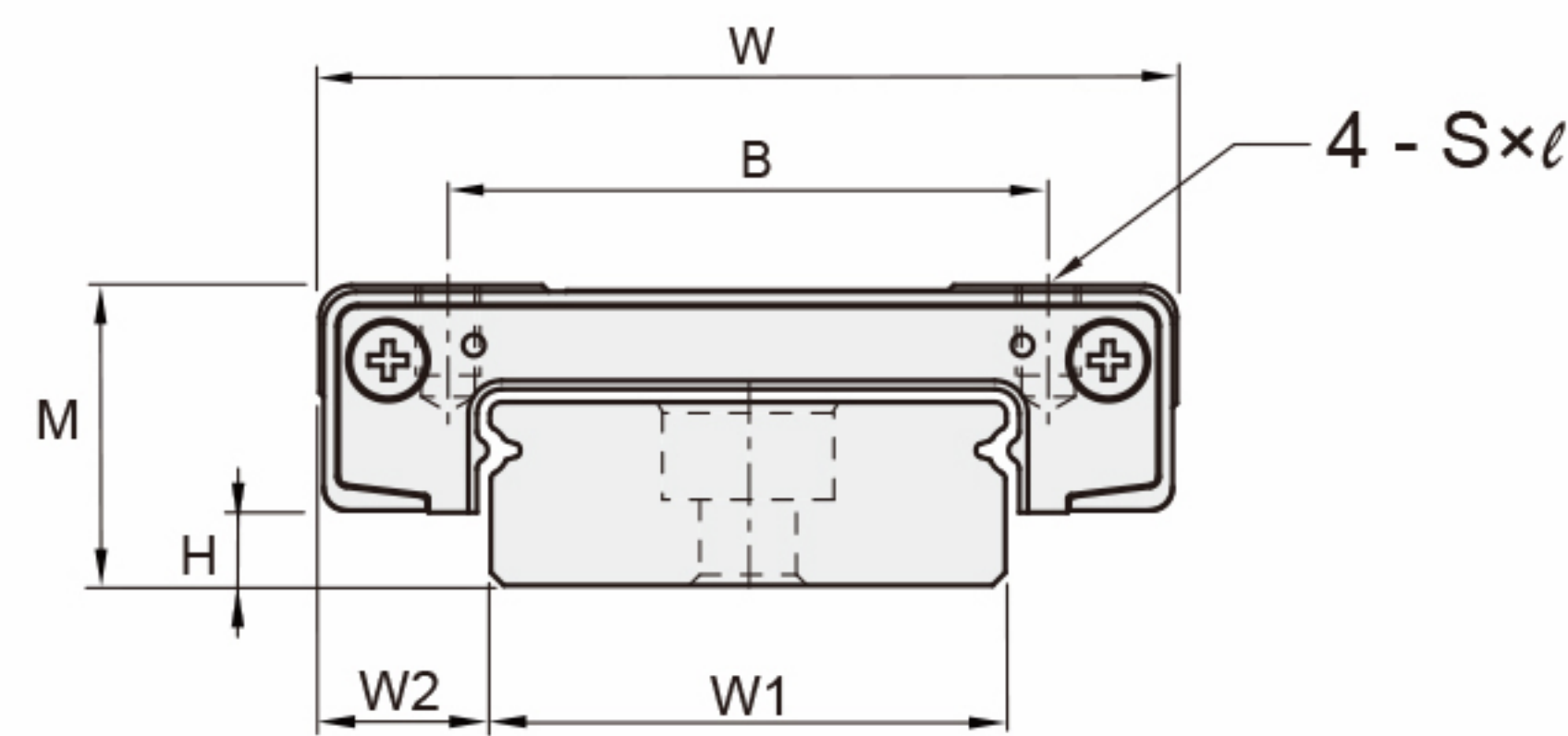
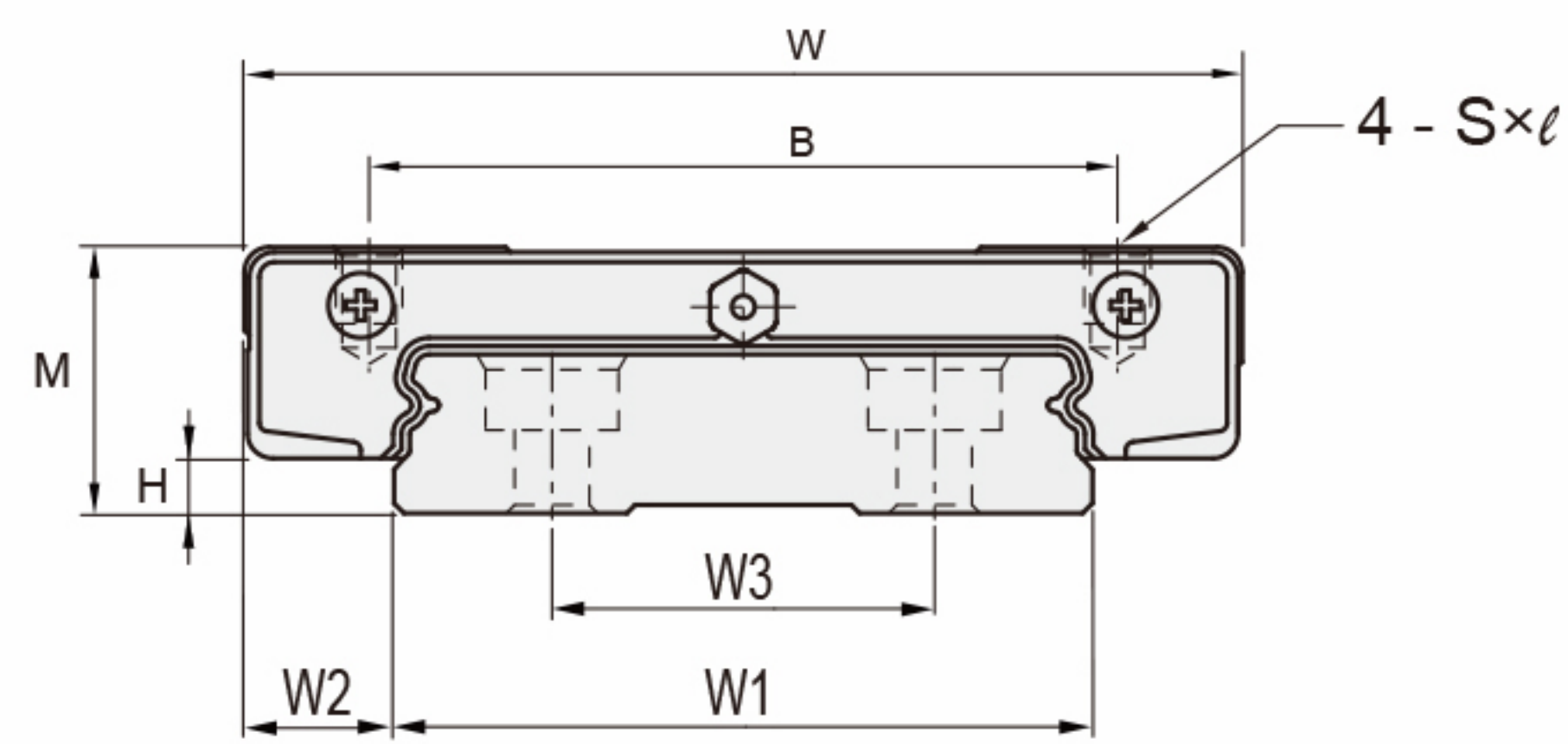
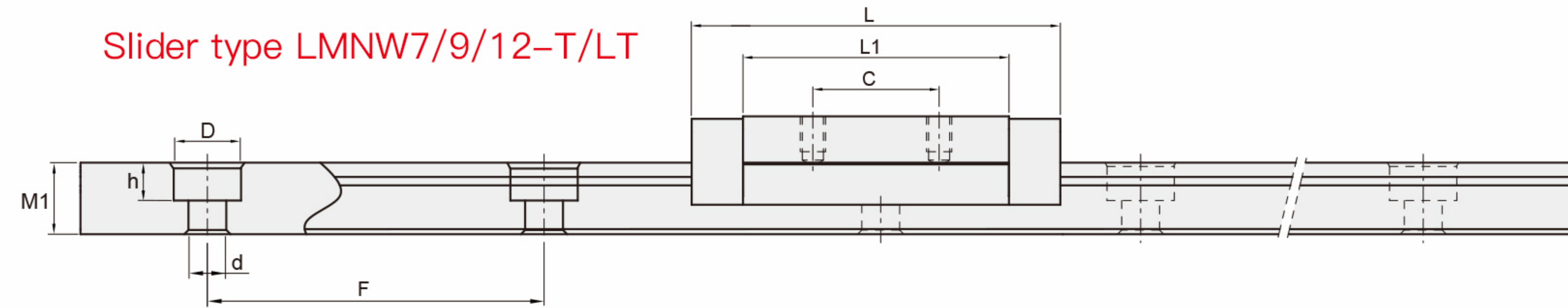


MINIATURE LINEAR GUIDE

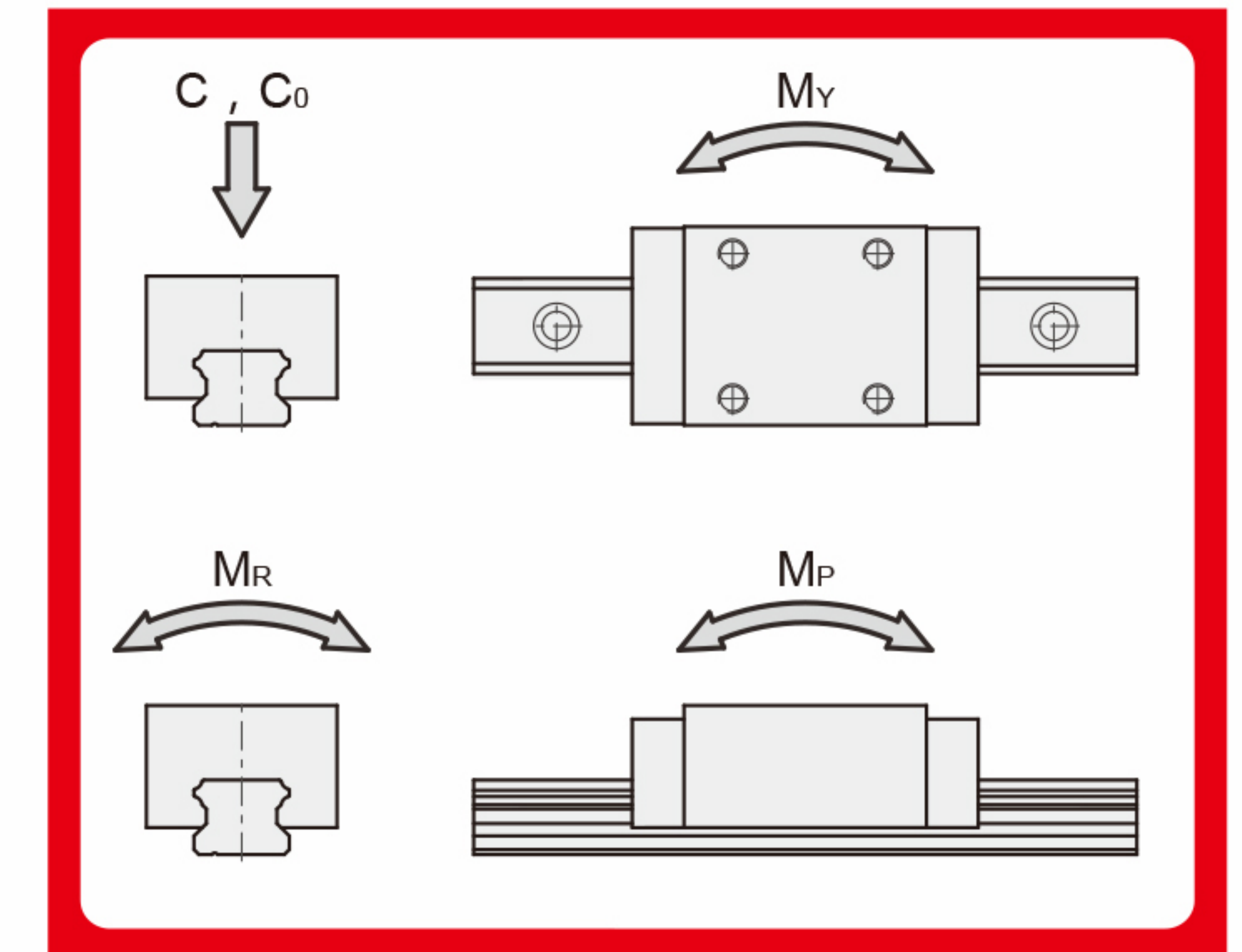
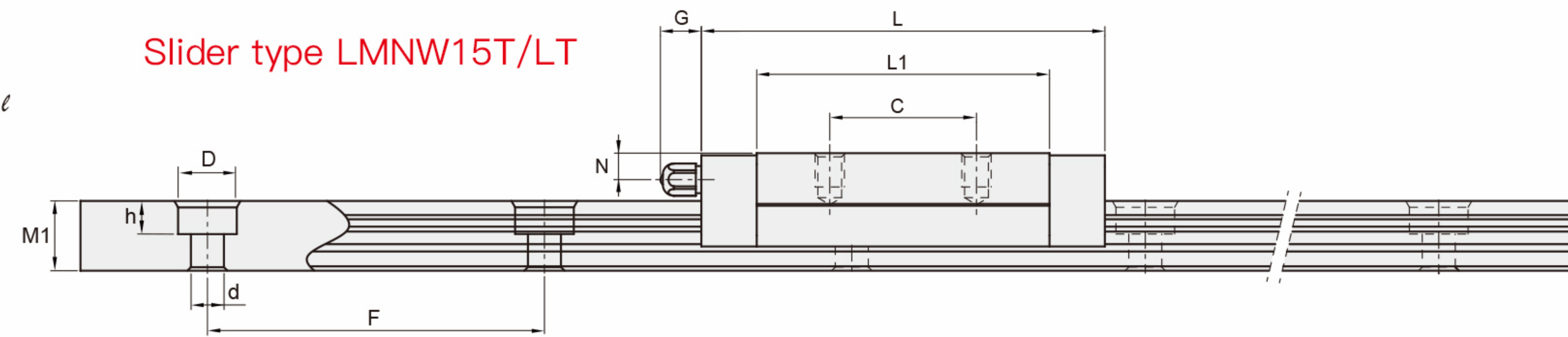
LMNW...T/LT Model Size Chart



Slider type LMNW7/9/12-T/LT



Slider type LMNW15T/LT



Unit (mm)

Model	Combined Size			Slider Size							Rail size				Basic load rating		Rated static torque			Quality				
	High	Wide	Length	B	C	Mounting Holes S×ℓ	L1	H	G	N	Slider Size		High	Pitch	Terminal distance	Mounting bolt holes	Dynamic load	Static load	MP N·m	MY N·m	MR N·m	Slider g	Guide g/100mm	
	M	W	L								W1	W2												W3
LMNW7 T	9	25	31.2	19	10	M3×2.8	21.5	2	-	-	14	5.5	-	5.2	30	10	6×3.2×3.5	1.61	2.3	6.9	6.9	15.4	20	51
LMNW7 LT	9	25	40.8	19	19	M3×2.8	31.1	2	-	-	14	5.5	-	5.2	30	10	6×3.2×3.5	2.14	3.56	14.7	14.7	25.4	29	51
LMNW9 T	12	30	38.5	21	12	M3×2.8	27.4	3.4	-	-	18	6	-	7	30	10	6×4.5×3.5	2.52	3.7	15.3	15.3	33.4	40	91
LMNW9 LT	12	30	50.4	23	24	M3×2.8	39.3	3.4	-	-	18	6	-	7	30	10	6×4.5×3.5	3.23	5.28	30.3	30.3	47.7	57	91
LMNW12T	14	40	43.8	28	15	M3×3.5	31.6	4	-	-	24	8	-	8.5	40	15	8×4.5×4.5	4.04	5.85	26.1	26.1	75.8	71	149
LMNW12 LT	14	40	58.1	28	28	M3×3.5	45.9	4	-	-	24	8	-	8.5	40	15	8×4.5×4.5	5.27	8.55	53.9	53.9	110.8	103	149
LMNW15T	16	60	55	45	20	M4×4.5	39.9	4	5.6	3.6	42	9	23	9.5	40	15	8×4.5×4.5	6.95	9.37	55.4	46.6	192.2	143	286
LMNW15 LT	16	60	72.6	45	35	M4×4.5	57.5	4	5.6	3.6	42	9	23	9.5	40	15	8×4.5×4.5	9.15	13.7	120.3	120.3	293.5	215	286