

Net2 proximity keyfob

System specifications

Carrier frequency 125kHz

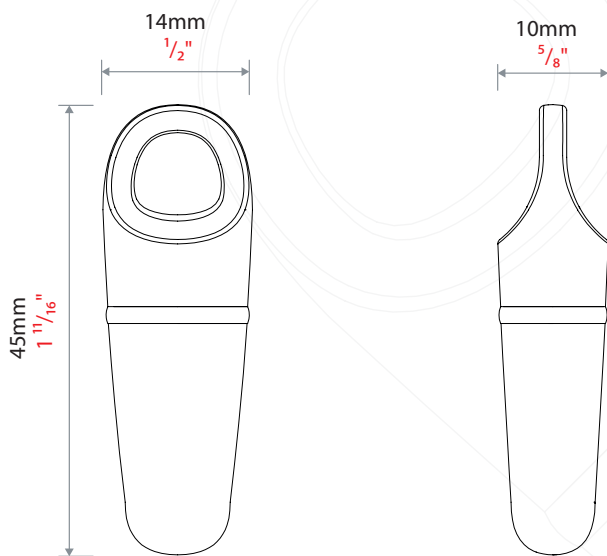
Hardware features

Material ABS/Plastic

Environment

Moisture resistance IPx7 (For up to 30 minutes)

Dimensions



Sales Codes

Net2 proximity keyfobs – Pack of 10 695-644



For use with the Net2 system. Supplied in packs of ten.

To issue a token the user's details are entered using the PC software. The token number is then entered by presenting the token to the desktop reader.

Once programmed into the software, the token is ready for use. Simply present the token to a reader, the access permissions will be instantly looked up and access granted or denied as appropriate. Paxton tokens use Hitag2 technology with proprietary encoding which includes an authentication protocol in the form of a password exchange between the token and the reader. This provides an additional layer of security for your system.