

Net2 hands-free keyfob

System specifications

Hands free read range	mm
P38	850
P50	1100
P75	2000
P200	2500
Long range reader	5000

Hardware features

Material	Plastic
Battery type	1 x CR2032

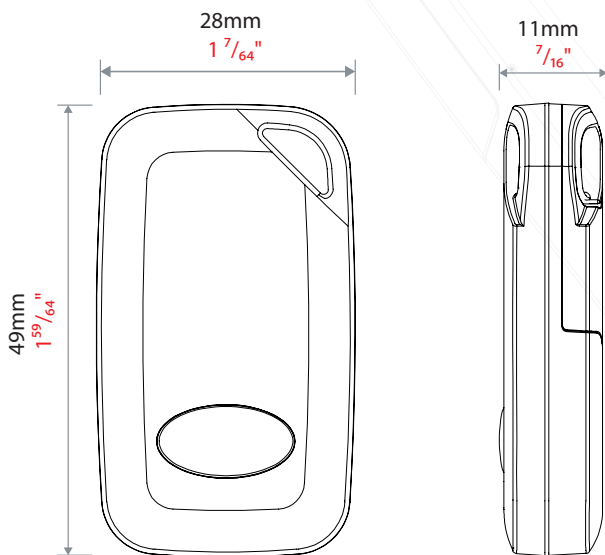
Electrical

Frequency	IEEE 802.15.4
-----------	---------------

Environment

Operating Temperature	0°C - +55°C
Moisture resistance	No

Dimensions



Sales Codes

Net2 handsfree Keyfob	690-222-EX
-----------------------	------------



Hands-free access control means the token that identifies a user is read from within a pocket or handbag. This is useful for gates and barriers, loading doors and where disabled or elderly people require access. The hands-free keyfobs, in conjunction with hands-free interface, achieve this using the unique wireless technology.

Tokens work in active and passive modes. They give a range of between 0.85m and 2.5m on any reader equipped with a hands-free interface. They work in passive mode with all other Paxton proximity readers. Enrolled onto the Net2 system using the standard desktop reader.