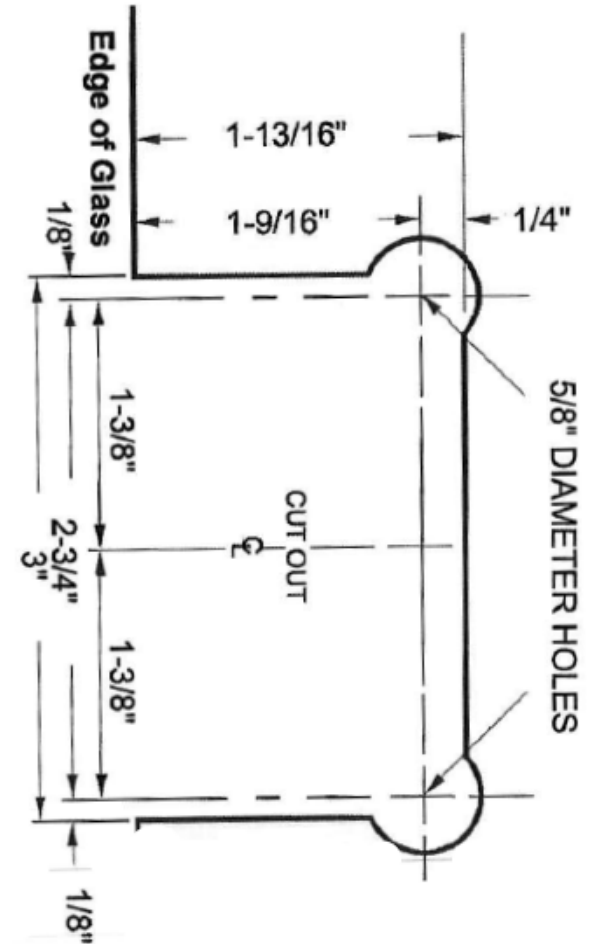
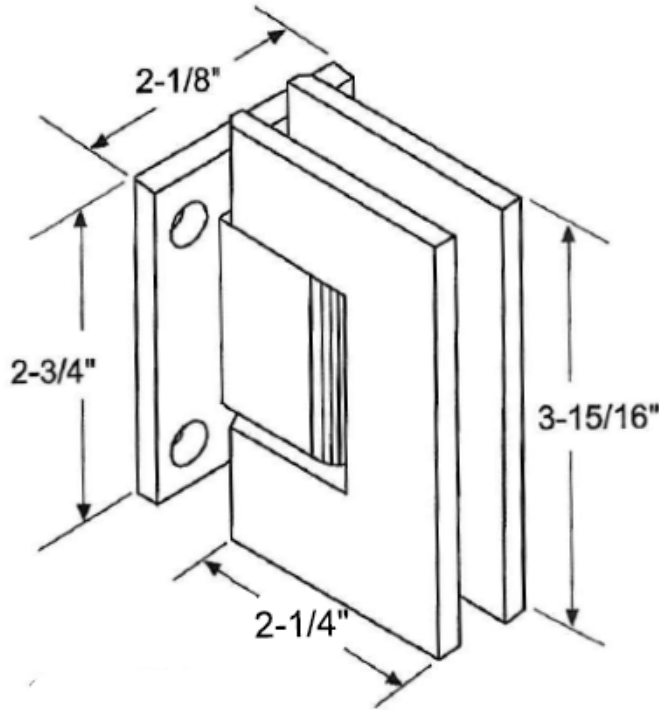




Wall Mount Hinge

CAT. NO. AV037,AV074
Regular Clearance Template
(1/4" to 5/16")



Specifications

Glass Sizes: 3/8" to 1/2" thick tempered safety glass
Includes: Gaskets, screws and template
Cutout Required

Maximum Door Capacities for Two Hinges or Three Hinges

| | | |
|----------------------|----------|----------|
| Maximum Door Weight: | 100 lbs. | 130 lbs. |
| Maximum Door Width: | 30" | 34" |

Use of Gaskets:

For 3/8" Glass: Use one thick gasket on each side
For 1/2" Glass: Use one thin gasket on each side

Recommendations:

We recommend the use of only tempered safety glass. Do not use power tools when installing these hinges.