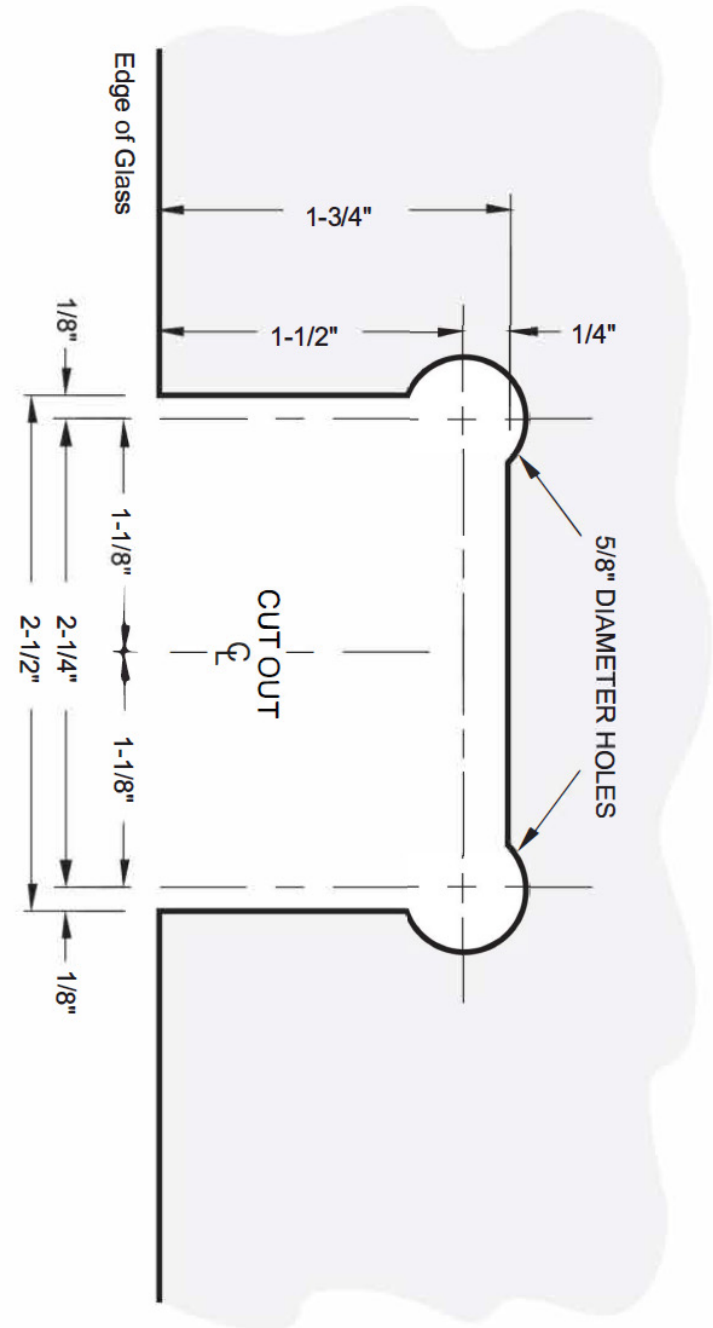
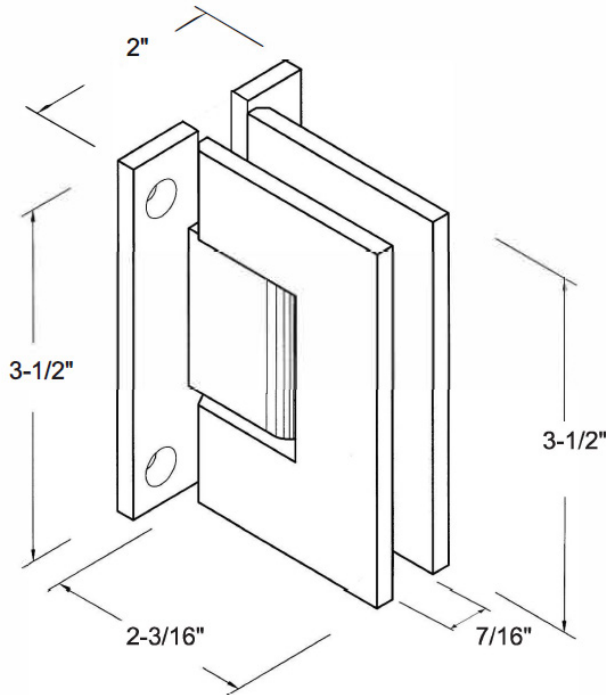




## Wall Mount Hinge

CAT. NO. AS037,AS337



### Specifications

Glass Sizes: 3/8" to 1/2" thick tempered safety glass

Includes: Gaskets, screws and template

Cutout Required

Maximum Door Capacities for Two Hinges or Three Hinges

Maximum Door Weight: 80 lbs. 120 lbs.

Maximum Door Width: 28" 32"

Use of Gaskets:

For 3/8" Glass: Use one thick gasket on each side

For 1/2" Glass: Use one thin gasket on each side

Recommendations:

We recommend the use of only tempered safety glass. Do not use power tools when installing these hinges.