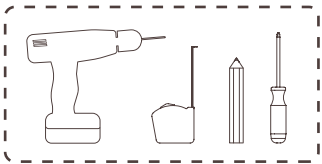


# How To Install

## Valance

## Tools Needed



## Need Assistance?

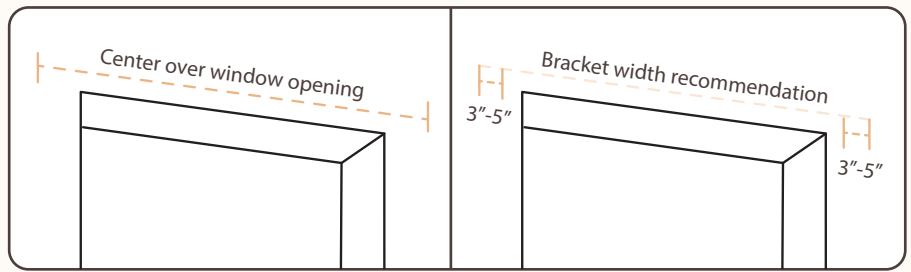
Contact a City Shade Associate for help with Installing.

(877)-224-8974

support@cityshadecompany.com

www.cityshadecompany.com

## Finding The Correct Width

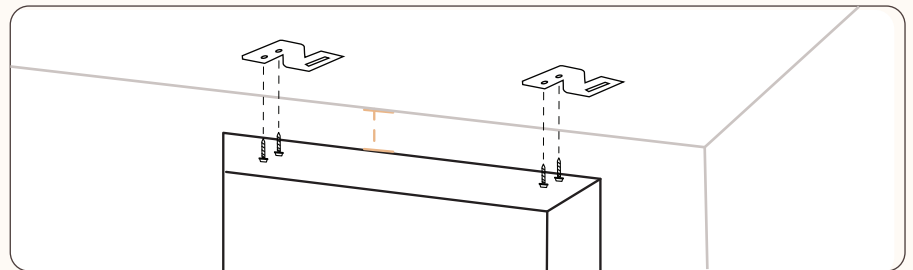


**Finding the Width:** Begin by taking the width measurement of your Valance and center it over the window opening.

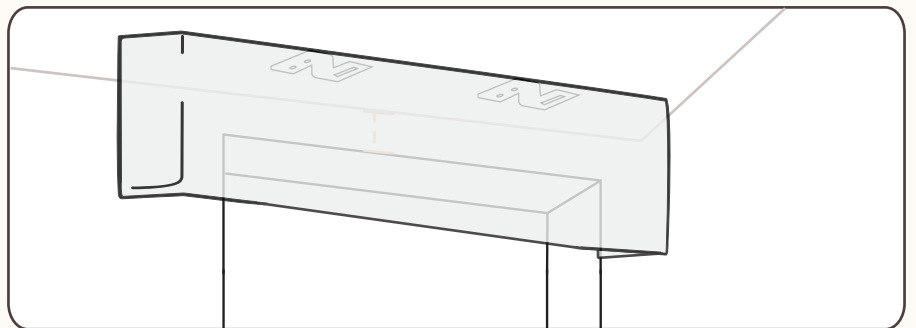
After centering, use a pencil to mark on the wall where the Valance ends on each side.

When you install your Z-Brackets make sure you install within 3"-5" inward from the marked left and right ends.

## Finding The Correct Height



**Ceiling/Jamb Reduced Cap:** Typically mount directly to the ceiling or inside the window jamb.



**Installing The Valance:** After Installing your brackets to the correct width place your valance over the brackets, center over the window once more.

Once all is centered screw your valance into the top slot in the brackets.