

Paradise Plinth

Copyright © 2024 Bofred (Pty) Ltd



CRAFTED FROM A GLASS-REINFORCED CEMENT COMPOSITE AND FINISHED WITH A DURABLE, CLEAR SEALANT, THE PARADISE PLINTH IS A VERSATILE OCCASIONAL PLINTH WITH LEAFLIKE DETAILING.

Product Dimensions

340 mm (W) x 340 mm (D) x 600 mm (H)

Weight: 18 - 22 kg

Material Shown

Limestone Cement Composite - smooth

Clear sealant

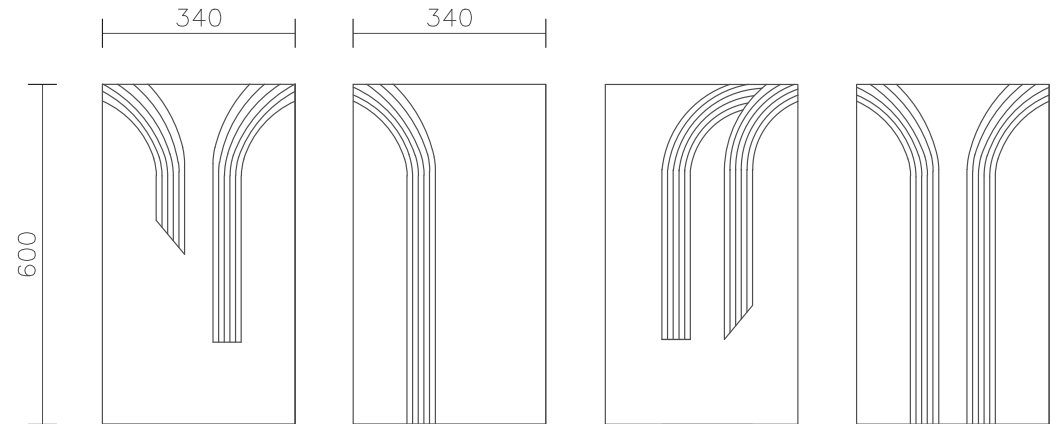
Material & Finish Options

Limestone - smooth or textured

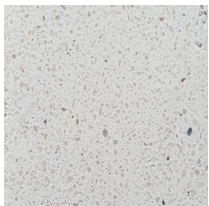
Papyrus - smooth or textured

Charcoal - smooth or textured

Colours and weight of natural materials will vary



Limestone



Papyrus



Charcoal



BOFRED

www.bofred.co.za | T. +27 72 629 4257 | E. info@bofred.co.za

Paradise Plinth

Copyright © 2024 Bofred (Pty) Ltd

Materials Shown (L-R):
Limestone Smooth, Charcoal Smooth; Papyrus Smooth

Textures (Top-Bottom):
Limestone Smooth & Textured, Papyrus Smooth & Textured, Charcoal Smooth



Colours and weight of materials will vary.

BOFRED

www.bofred.co.za | T. +27 72 629 4257 | E. info@bofred.co.za