

Eclipse Wall Sconce - Brass

Copyright © 2024 Bofred (Pty) Ltd



THE ECLIPSE WALL SCONCE IN BRASS IS AN ACCENT LIGHT FEATURING AN INTERCHANGEABLE HAND-BEATEN DISC AND A POWDER-COATED ALUMINIUM WALL MOUNT.

Product Dimensions

300 (W) x 90 mm (D) x 300 mm (H)

Weight: 2 kg

3000 mm black cord with light switch and plug included.

Lightbulb not included - Recommended: E27 Fitting / LED 3W / Warm White

Material Shown

Beaten Brass and Textured black powder-coated Aluminium

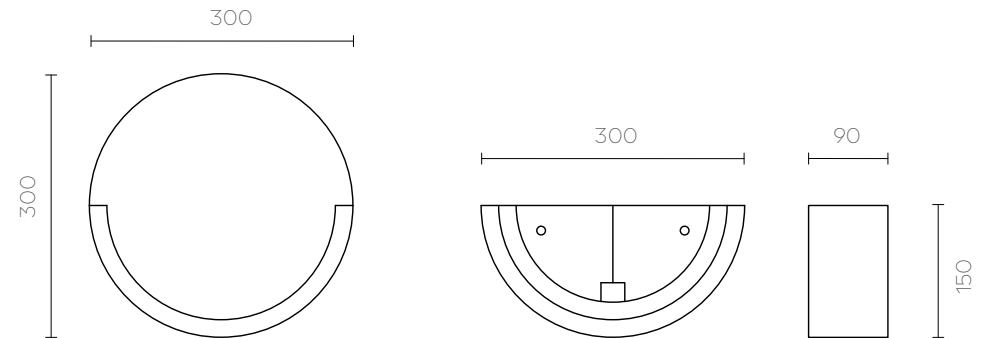
Material & Finish Options

Disc: Beaten Brass

Semi-circular Light unit: Textured Black powder-coated Aluminium

All disks are handmade, so please allow for slight variations

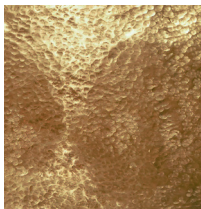
Note: Lamps are manufactured and approved to meet the safety standards for use with 230 v electrical outlets (standard in Europe/Africa/Australasia). We are not able to adjust the wiring for US outlets - lamp will need rewiring.



Textured Black



Beaten Brass



Accent Light Effect



BOFRED

www.bofred.co.za | T. +27 72 629 4257 | E. info@bofred.co.za