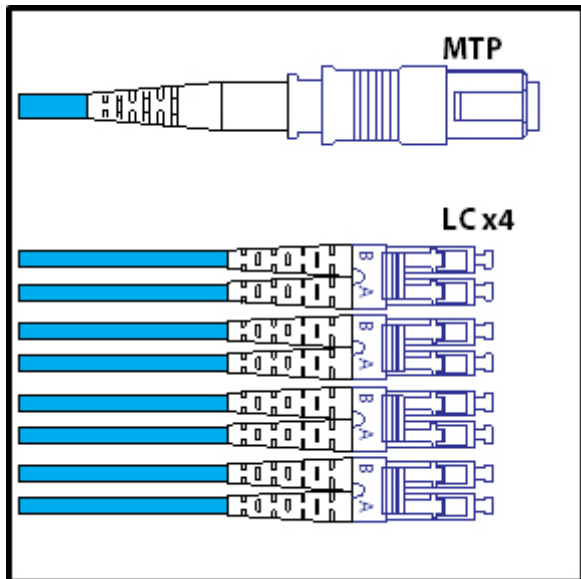
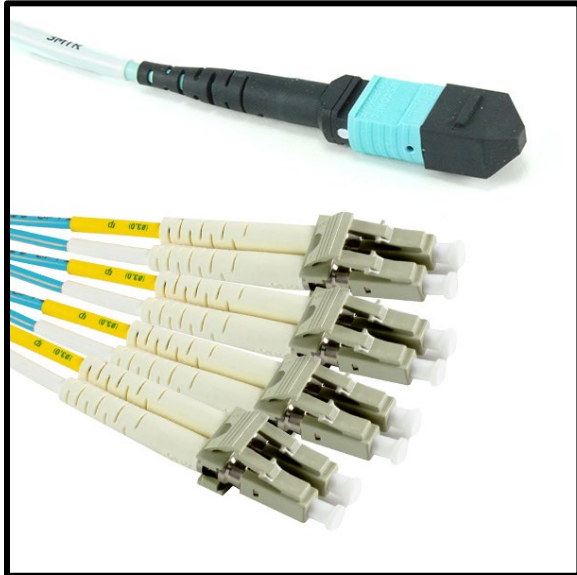


The **MP4LCDM4A2-xM** fiber optic patch cords are ideal for short distance patching applications and are manufactured to be fully compatible and functional with all intended switching devices. These fiber optic cables have been tested for insertion loss and reflectance on all connectors and are built to exceed industry standards. They are constructed using Corning glass within UL certified OFNP (Plenum) rated jacket with Kevlar yarn, and are factory terminated resulting in uncompromised performance.



Specifications

Performance:

Insertion Loss (max.): 0.60dB
Optical Return Loss: >20dB
Storage Temperature: -40°C +80°C
Operation Temperature: -20°C +70°C
Attenuation dB/km max.: 1.0

Connector:

Connector Type (1): MTP/F
Connector Style(1): Single w/ Clip
Ferrule Type (1): Ceramic
Connector Type (2): LC x4
Connector Style (2): Duplex w/ Clip
Ferrule Type (2): Ceramic

Fiber:

Core Diameter: 50µm
Cladding Diameter: 125µm
Inner Strength Material: Kevlar

Jacket:

Jacket Size: 2mm
Jacket Style: Multifiber
Jacket Color: Aqua
Fire Rating: OFNP (Plenum)

Warranty:

Lifetime Warranty

LC x4

MTP

