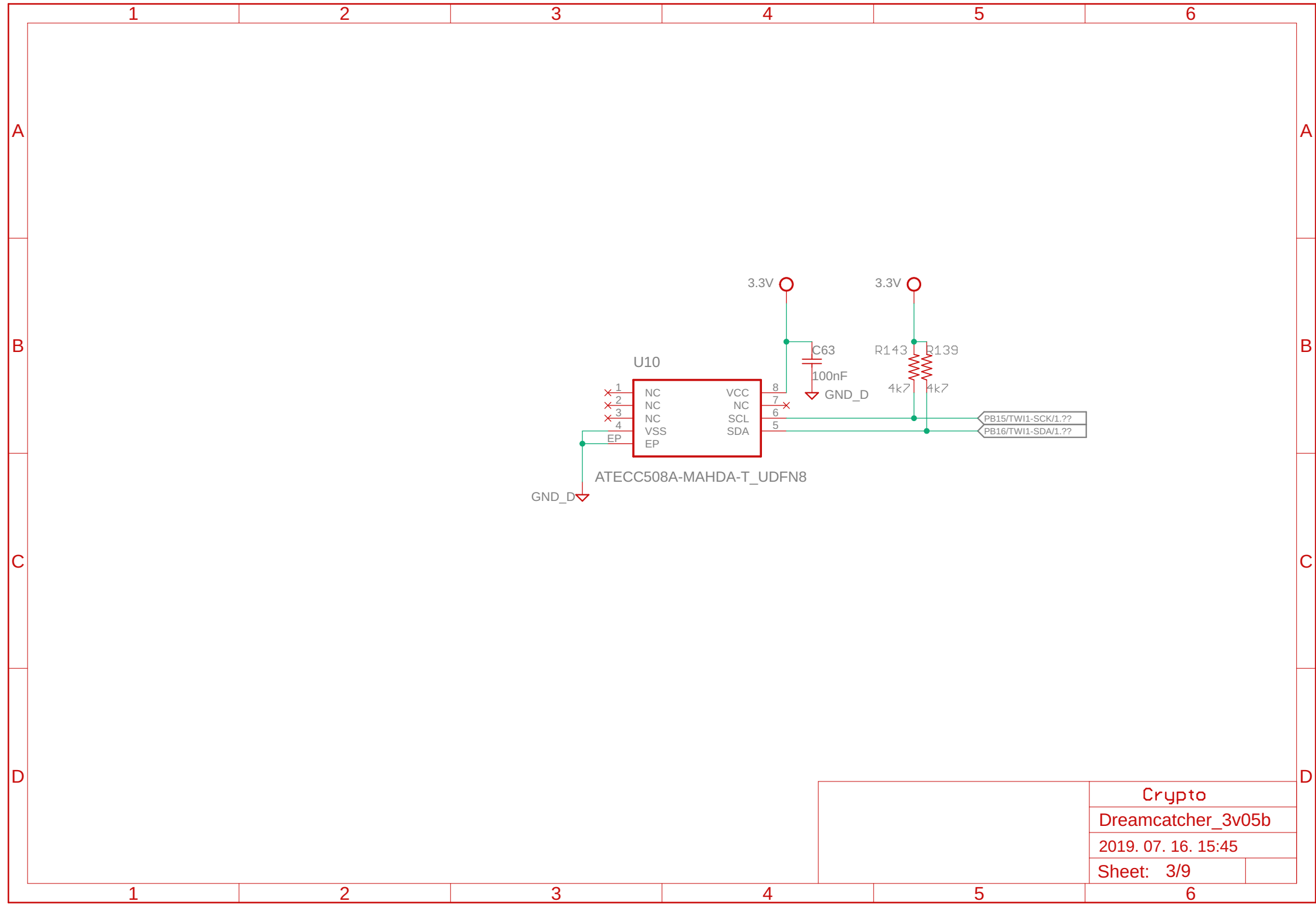
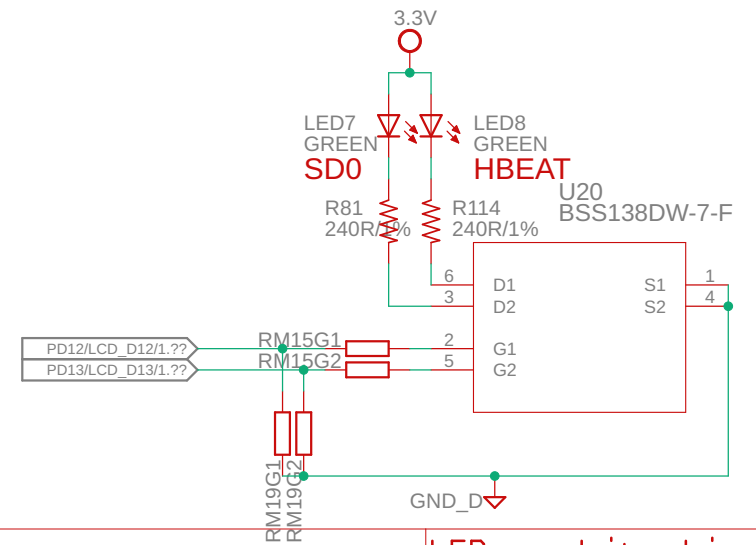
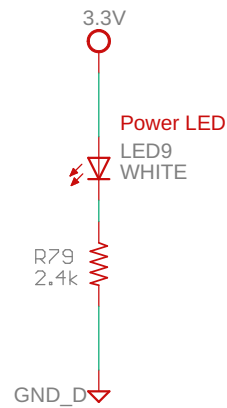
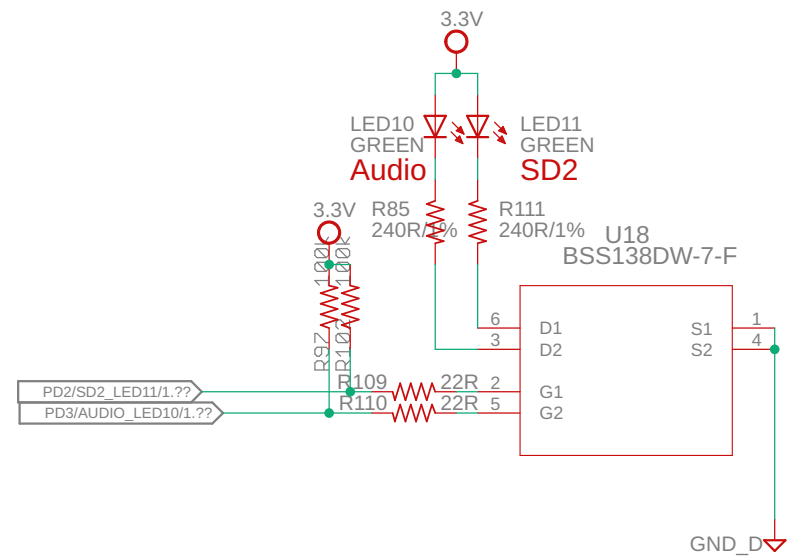
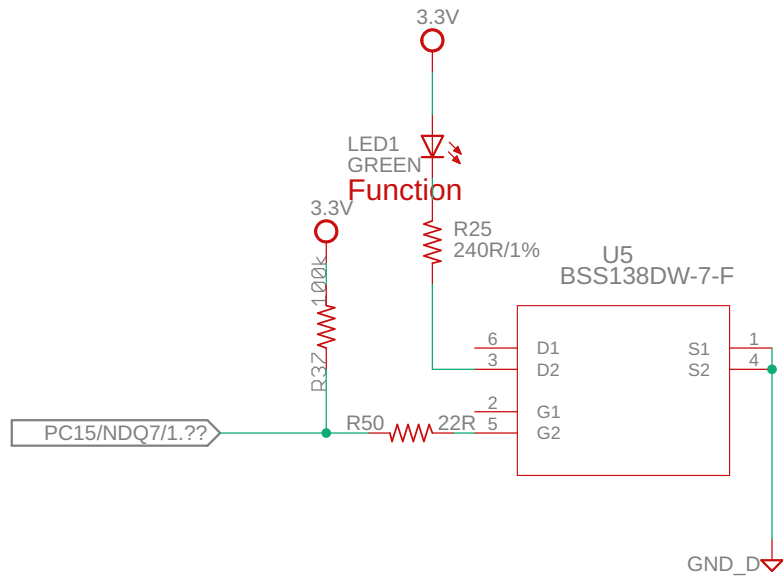


Wifi module + USB	
Dreamcatcher_3v05b	
2019. 07. 16. 15:45	
Sheet: 2/9	





LEDs and its drivers

Dreamcatcher_3v05b

2019. 07. 16. 15:45

Sheet: 4/9

1 2 3 4 5 6

RF Switch control lines:

PD5=1 --> J1-->J3 = TX
PD5=0 --> J1-->J2 = RX



A

A

B

B

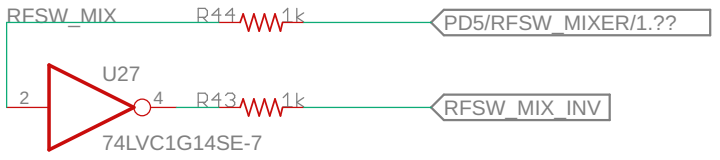
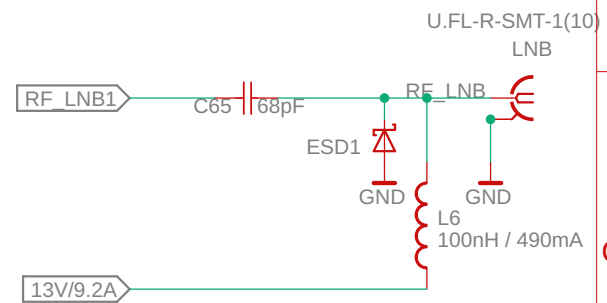
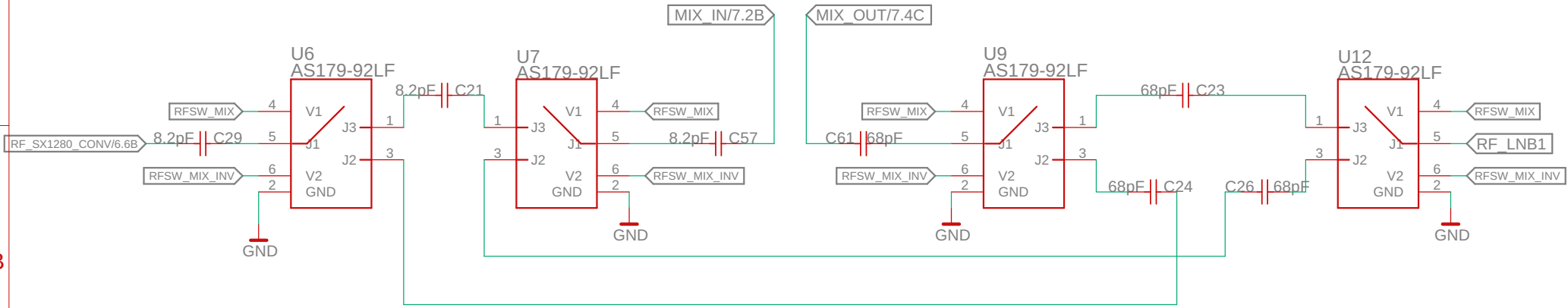
C

C

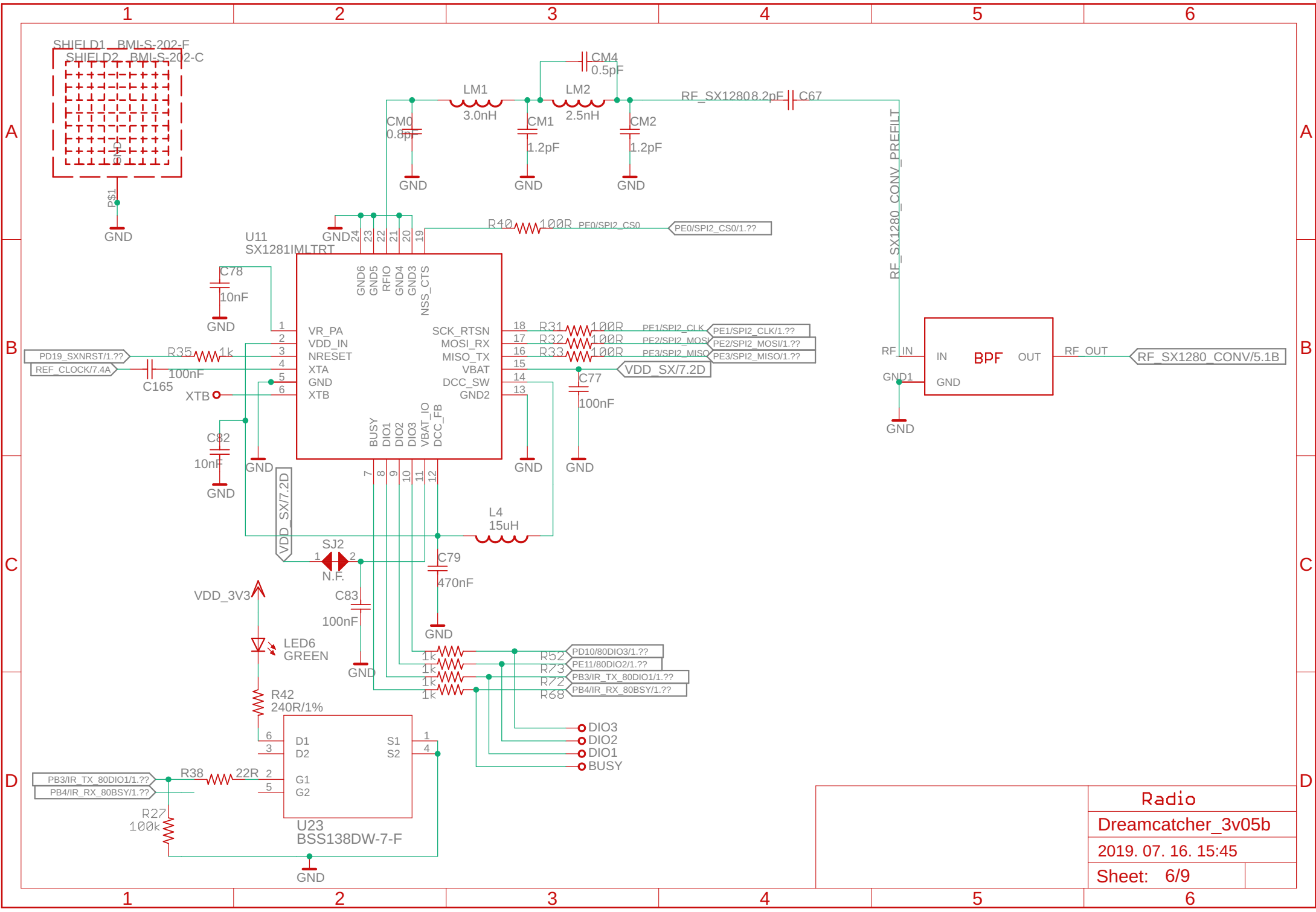
D

D

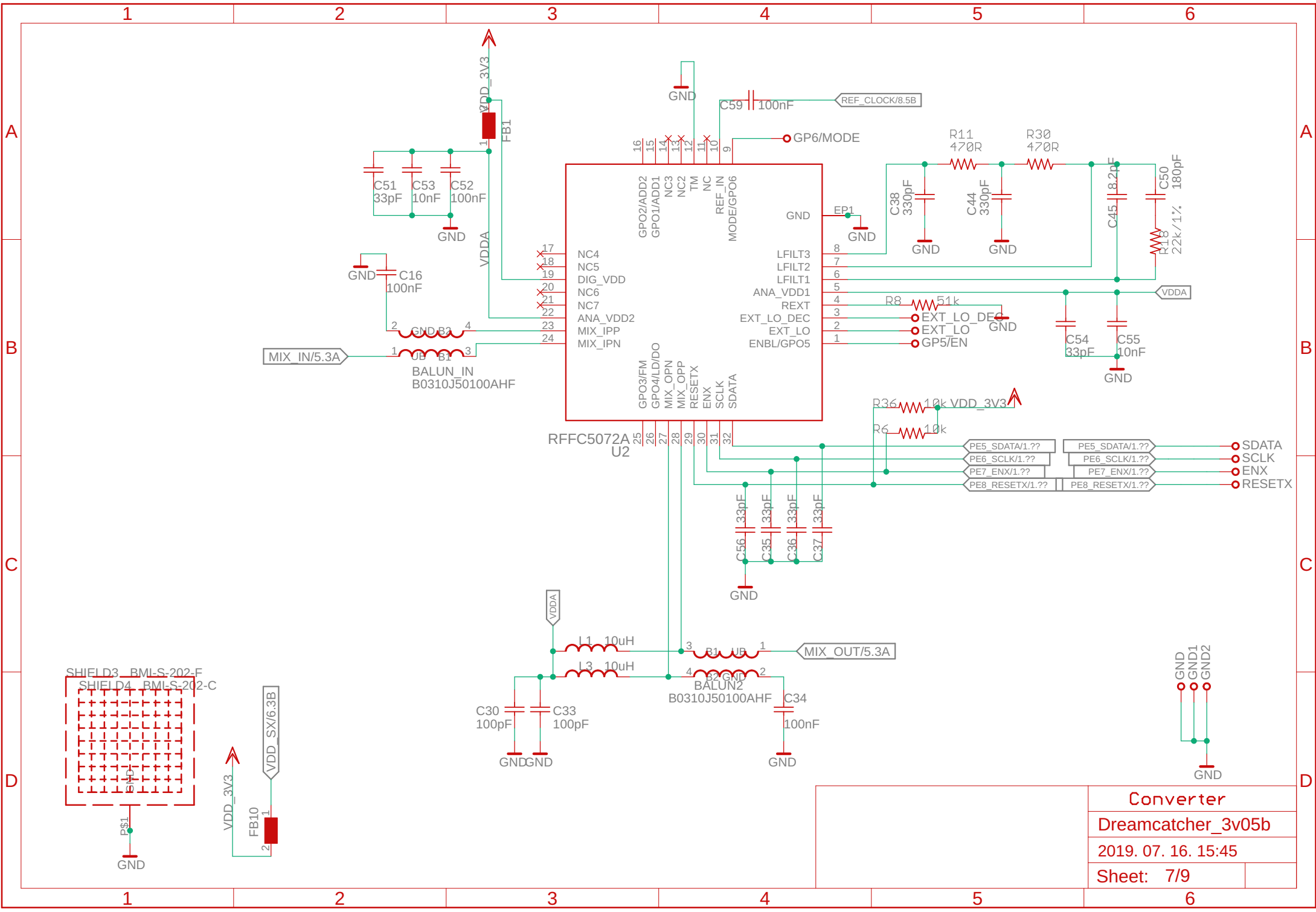
1 2 3 4 5 6



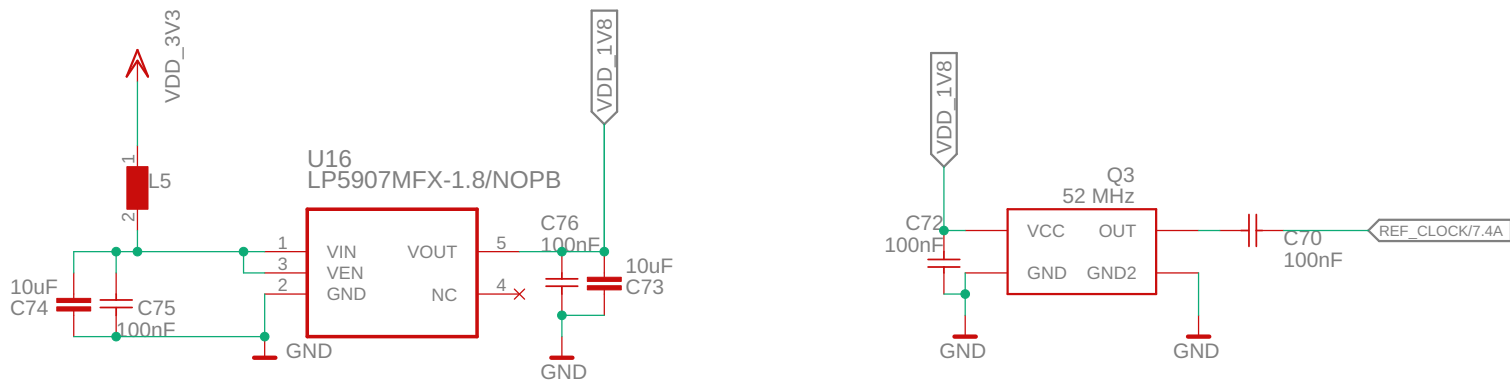
RX/TX RF switches
Dreamcatcher_3v05b
2019. 07. 16. 15:45
Sheet: 5/9



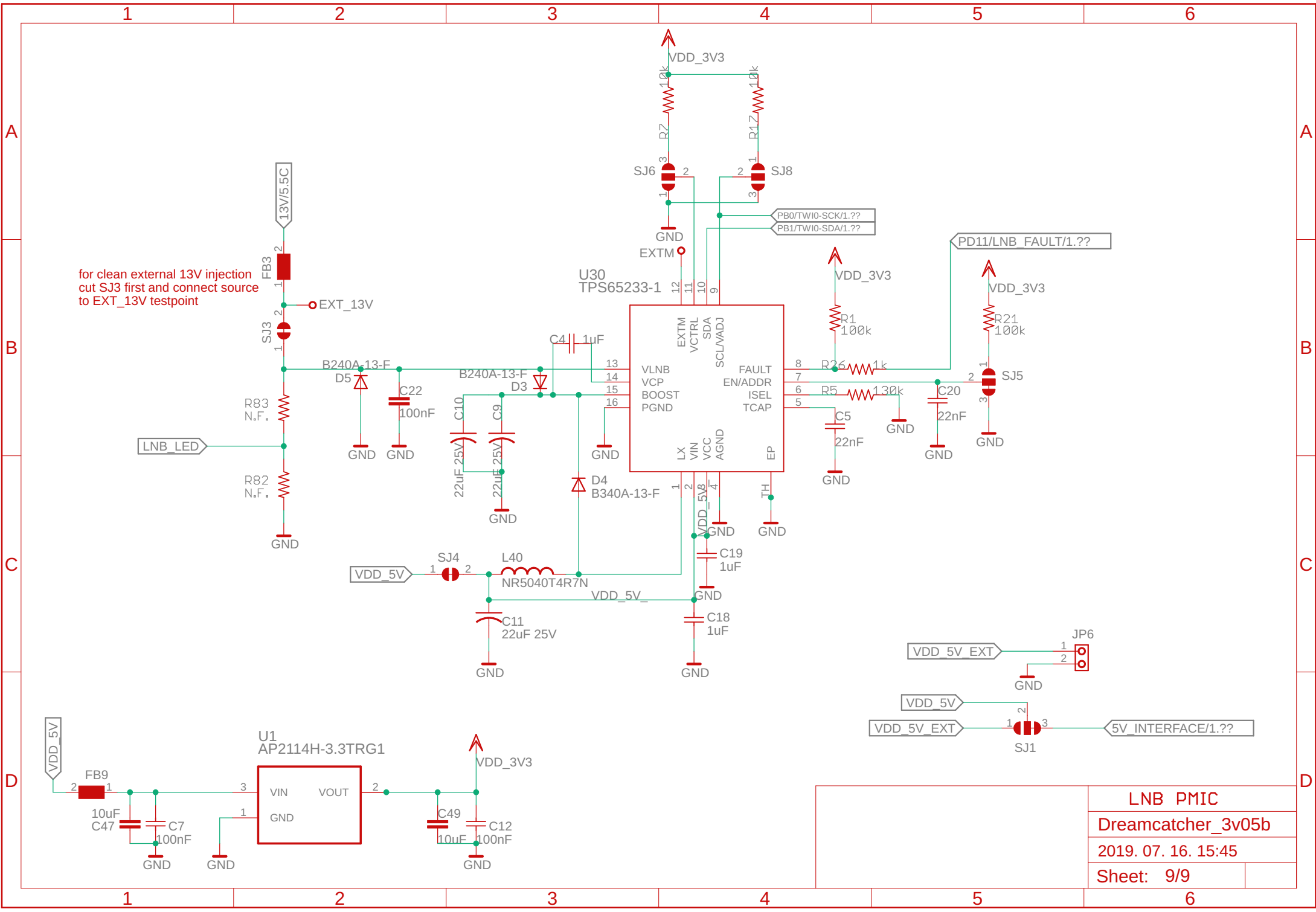
Radio	
Dreamcatcher_3v05b	
2019. 07. 16. 15:45	
Sheet: 6/9	



Converter	
Dreamcatcher_3v05b	
2019. 07. 16. 15:45	
Sheet: 7/9	



TCXO	
Dreamcatcher_3v05b	
2019. 07. 16. 15:45	
Sheet: 8/9	



for clean external 13V injection
cut SJ3 first and connect source
to EXT_13V testpoint

LNB PMIC	
Dreamcatcher_3v05b	
2019. 07. 16. 15:45	
Sheet: 9/9	